

OneFlow[®] OFTWH

Anti-Scale System

Technical Data Sheet



Description

The **OneFlow**®, Anti-Scale System, **Series OFTWH** provides protection from scale formation on internal plumbing surfaces. The **OneFlow**® system is a single cartridge-based system that must be installed on a cold water line prior to a water-heating device (water heater or tankless water heater) for single tankless heaters.

OneFlow® prevents scale by transforming dissolved hardness minerals into harmless, inactive microscopic crystal particles. These crystals stay suspended in the water and are passed to drain. The system requires very little maintenance, no backwashing, no salt and no electricity. Typical hardness problems, especially build-up of scale in heating elements, pipes, water heaters, boilers and on fixtures are no longer a concern.

OneFlow® is not a water softener. It does not add chemicals. It is a scale prevention device with proven third party laboratory test data and years of successful commercial, residential and food service applications. **OneFlow**® is the intelligent scale solution and is a great alternative to water softening (ion exchange) or scale sequestering devices.



OFTWH

Chemical-free scale prevention and protection - converts hardness minerals to harmless, inactive microscopic crystals making **OneFlow**® an effective alternative technology to a water softener for the prevention of scale due to water hardness.

Virtually maintenance free - No salt bags or other chemicals to constantly add or maintain.

No control valve, no electricity and no wastewater.

Uses environmentally friendly “green” technology.

Improves efficiency of all water heating devices and downstream plumbing components.

Simple sizing & installation – standard 3/4” connections.

Perfect system for restaurants, cafeterias, coffee shops and homes where multiple or single equipment protection is desired for longer equipment life and reduced energy consumption.

Inlet ball valve for easy isolation shutoff and filter changes.

OneFlow® cartridge-based systems are easily maintained; change the cartridge once every two years.

Easily installed mounting bracket included w/filter wrench to allow cartridge change-outs when necessary.

Type	Part No.	DN	Flow rate (l/min)	Weight (kg)
OneFlow®	OFTWH	3/4” FNPT	38	8,6

Feed Water Chemistry Requirements

pH	6.5÷8.5
Hardness (maximum)	75 grains (1282 ppm CaCO ₃)
Water Pressure	15 psi÷100 psi (1.03 bar to 6.9 bar)
Temperature	40°F÷110°F (5°C to 43°C)
Free Chlorine	< 2 ppm
Iron (maximum)	0.3 ppm
Manganese (maximum)	0.05 ppm
Copper	1.3 ppm
Oil & H ₂ S	Must be Removed Prior to OneFlow
Polyphosphates	Must be Removed Prior to OneFlow
Silica (maximum)	20 ppm

System Specifications

Inlet/Outlet Connections	3/4” FNPT
Service Flow Rate	0.5 gpm÷10 gpm (1.9 lpm to 38 lpm)
Gallon Rating	OFTWH: up to 6 gpm, 24/7/365 for 2 years for the OFTWHRM
Capacity	OFTWHRM cartridge does not have a grain removal capacity, however, other contaminants present in the water will gradually degrade the effectiveness of this cartridge. Change the OFTWHRM cartridge at least once every two years

Approvals

Independent scientific testing has confirmed Template Assisted Crystallization (TAC) technology provides scale reduction of over 95+%. Testing was conducted under protocol based on DVGW W512 test to access control of scale formation.

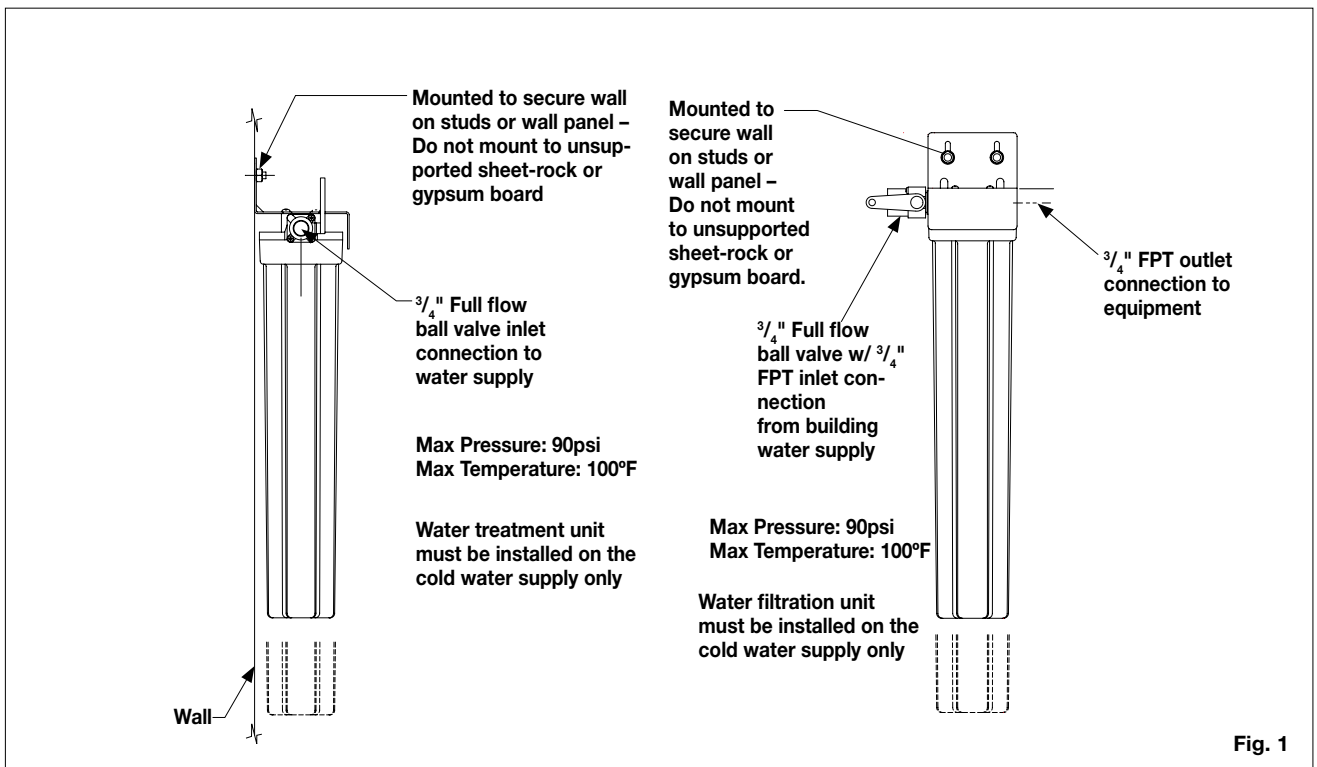
Application

A **OneFlow**® scale prevention system shall be installed on the cold water service line to condition the tap water just prior to the service line feeding the equipment it is designed to protect. The system will be sized for maximum or peak flow rate based on the specification of said equipment. A **OneFlow**® system may also be installed to protect multiple pieces of equipment from the ill-effects of hard water scale provided the aggregate peak flow rate for each piece of equipment it is protecting has been considered. The system shall be plumbed with a bypass valve to allow isolation of filter housing to allow the bypass of untreated water in the event that service or cartridge replacement be necessary. The installation area should be suitable in size for the housing to be serviced without encumbrance and the system should be installed per the Installation, Operation & Maintenance manual as provided with each system.

The **OneFlow**® system must not require additional waste water to backwash, flush, or regenerate once put into service. The system shall not require any chemical additives and shall not require electricity for operation.

For hot water applications where water temperature is 100°F - 140°F (38°C - 60°C), please consult ES-OneFlow-Hot Water.

Copper lines need to be passivized for a minimum of 4 weeks before placing unit into service. Not for use on closed loop systems.



Operation

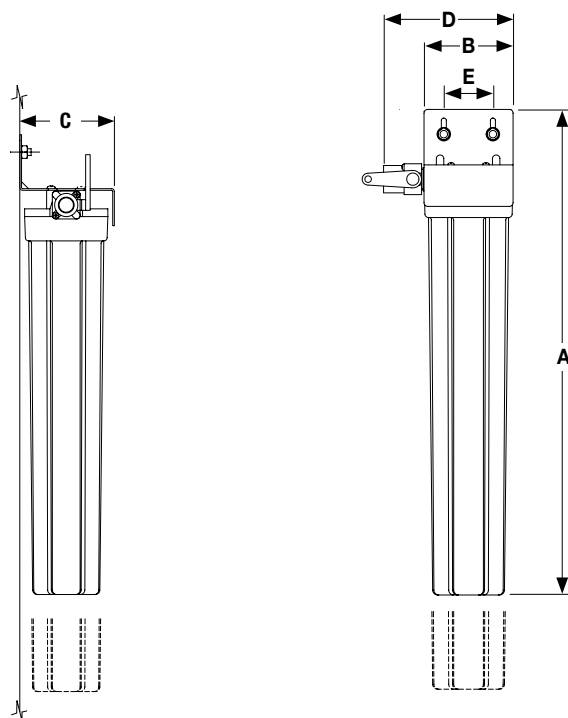
High levels of Copper will foul **OneFlow**® media and typically originates from new Copper plumbing. Wait a minimum of 4 weeks before placing system in operation. Avoid applying excess flux on the inner surfaces of the pipe and to use a low-corrosivity water soluble flux listed under the ASTM B813 standard.

OneFlow® media does not reduce silica scaling. Silica can act as a binder that makes water spots and scale residue outside the plumbing system difficult to remove. This 20 ppm limitation is for aesthetic purposes.

The information contained herein is not intended to replace the full product installation and safety information available or the experience of a trained product installer. You are required to thoroughly read all installation instructions and product safety information before beginning the installation of this product.

Cartridge should be replaced every 2 YEARS.

Overall dimensions (mm)



Mod.	A (cm)	B (cm)	C (cm)	D (cm)	E (cm)
OFTWH	66	20	23	25	15

The overall height and the height of the inlet fitting varies due to material variations and assembly tolerances. Please allow additional clearance above the filter for making connections.

Product text

OneFlow® Series OFTWH

Anti-Scale System, **OneFlow® Series OFTWH** - Watts Brand, cartridge included. It improves efficiency of all water heating devices and downstream plumbing components, protecting from scale formation on internal and external plumbing surfaces. Maximum flow rate 38 lt/min, Maximum pressure 6,9 bar; max temperature 38°C. Size 3/4".

The descriptions and photographs contained in this product specification sheet are supplied by way of information only and are not binding.

Watts Industries reserves the right to carry out any technical and design improvements to its products without prior notice. Warranty: All sales and contracts for sale are expressly conditioned on the buyer's assent to Watts terms and conditions found on its website at www.wattswater.eu. Watts hereby objects to any term, different from or additional to Watts terms, contained in any buyer communication in any form, unless agreed to in a writing signed by an officer of Watts.

WATTS®

Water Quality
ASSOCIATION
MEMBER

Watts Industries Italia S.r.l.

Via Brenno, 21 • 20853 Biassono (MB) • Italy
Tel. +39 039 4986.1 • Fax +39 039 4986.222
infowattsitalia@wattswater.com • www.watts.com