



McCULLOCH®

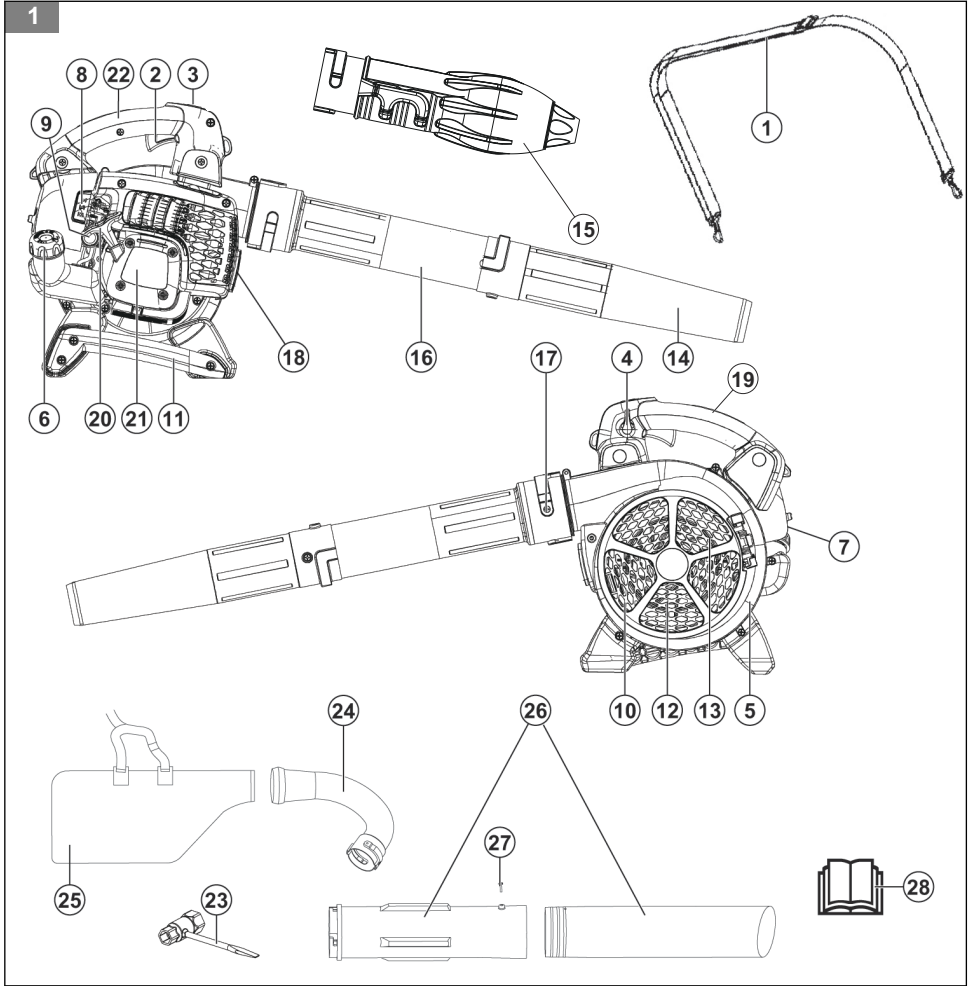


GBV 322, GBV 322VX

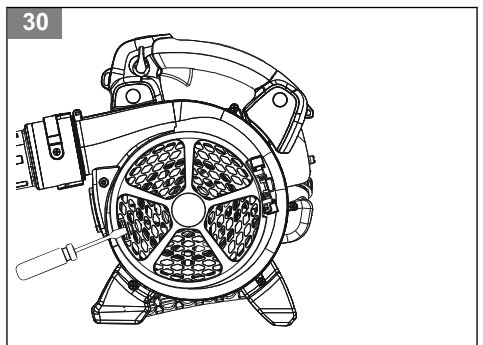
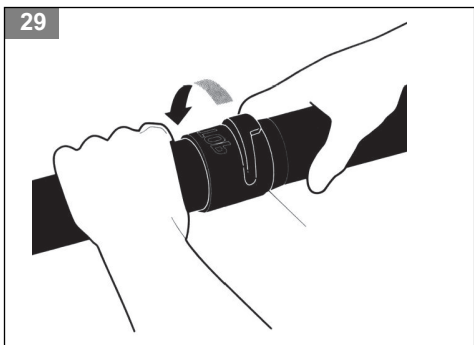
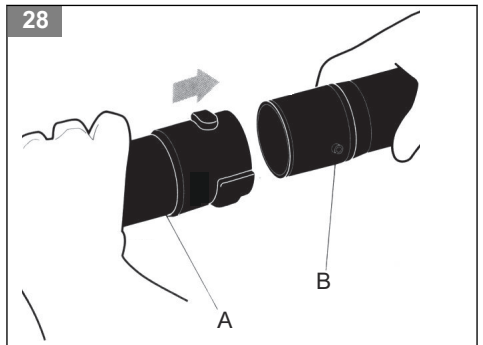
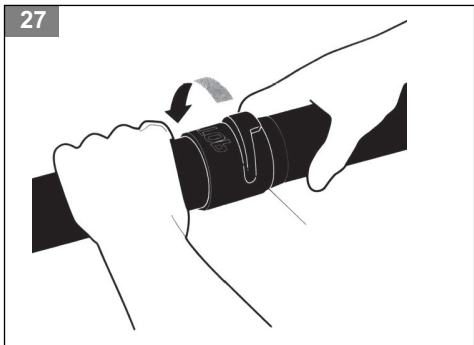
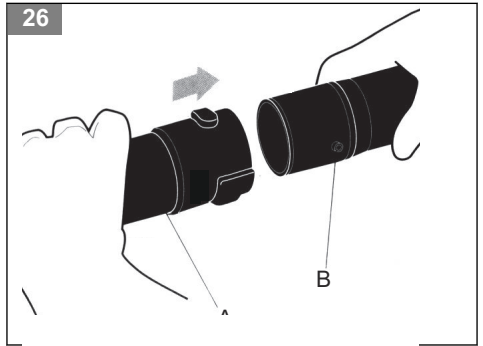
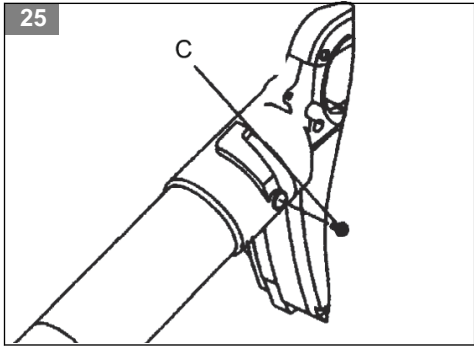
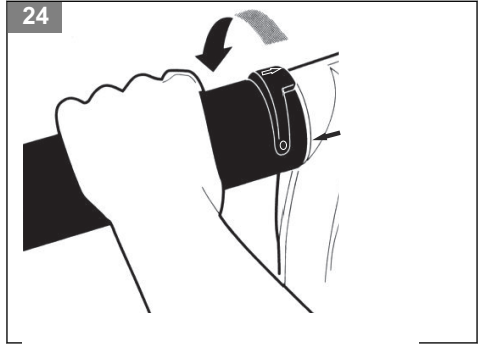
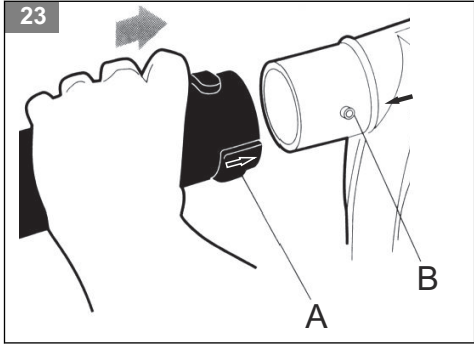


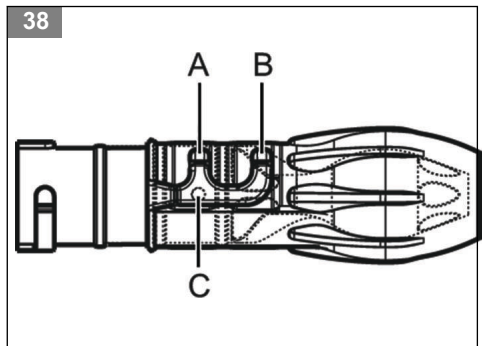
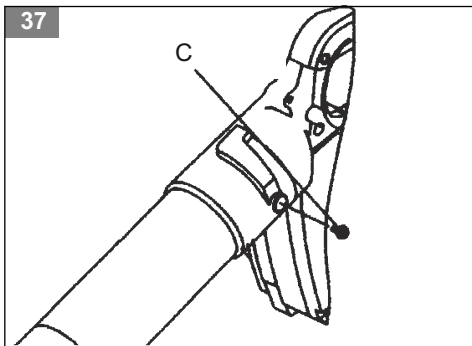
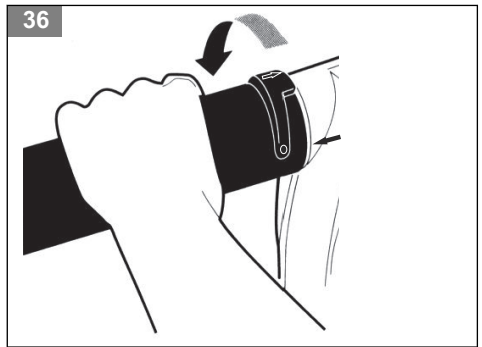
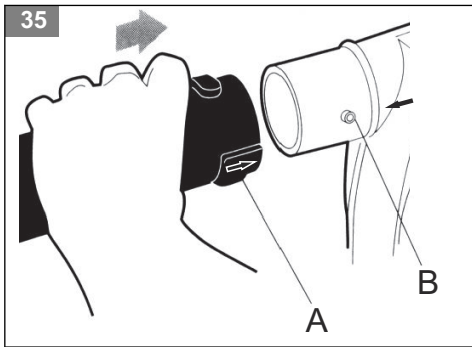
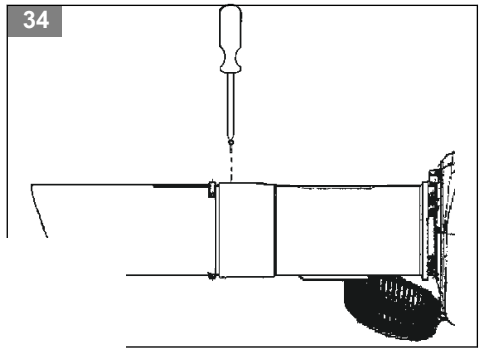
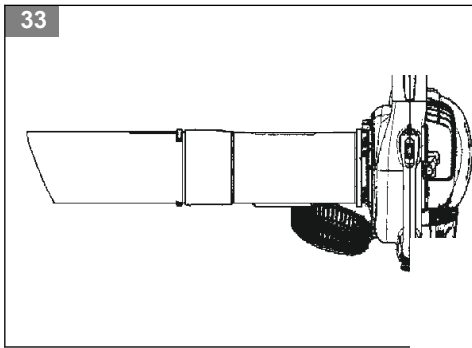
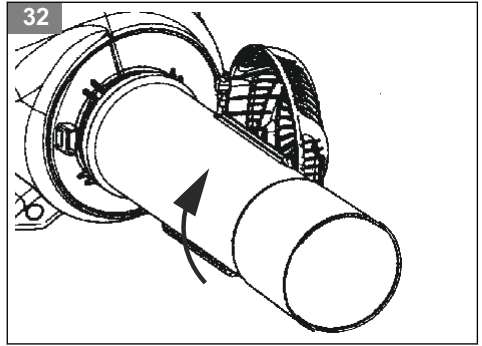
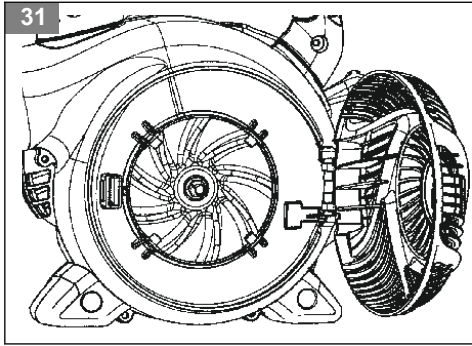
EN	Operator's manual	6-15
BG	Ръководство за експлоатация	16-27
BS	Korisnički priručnik	28-37
CS	Návod k použití	38-47
DA	Brugsanvisning	48-57
DE	Bedienungsanweisung	58-69
EL	Οδηγίες χρήσης	70-81
ES	Manual de usuario	82-92
ET	Kasutusjuhend	93-102
FI	Käyttöohje	103-112
FR	Manuel d'utilisation	113-124
HR	Priručnik za korištenje	125-134
HU	Használati utasítás	135-145
IT	Manuale dell'operatore	146-156
LT	Operatoriaus vadovas	157-167
LV	Lietošanas pamācība	168-178
NL	Gebruiksaanwijzing	179-189
NO	Bruksanvisning	190-199
PL	Instrukcja obsługi	200-210
PT	Manual do utilizador	211-221
RO	Instrucțiuni de utilizare	222-232
RU	Руководство по эксплуатации	233-244
SK	Návod na obsluhu	245-255
SL	Navodila za uporabo	256-265
SR	Priručnik za rukovaoca	266-276
SV	Bruksanvisning	277-286
TR	Kullanım kılavuzu	287-296
UK	Посібник користувача	297-308

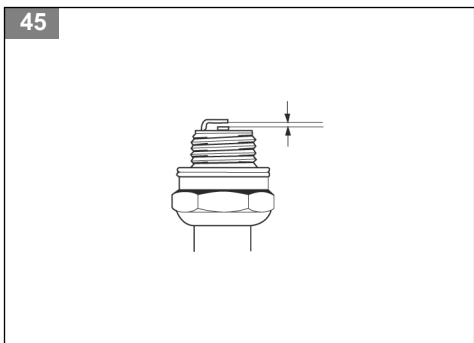
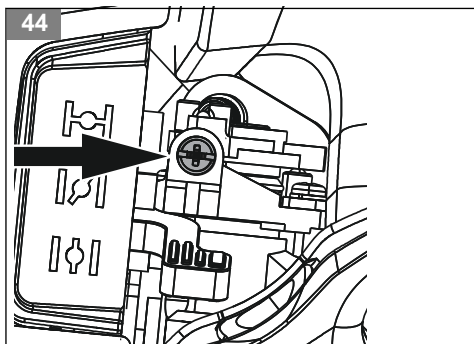
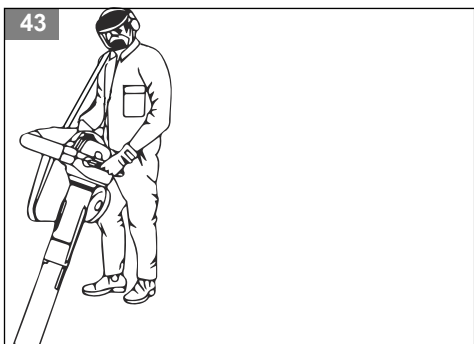
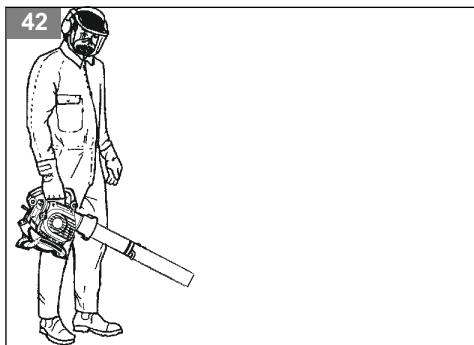
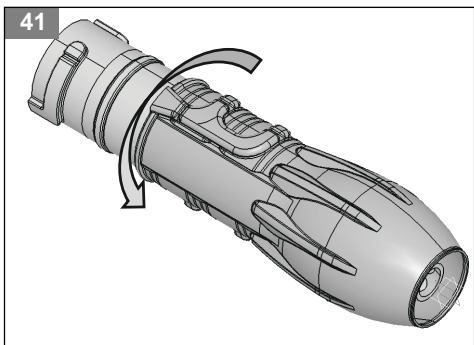
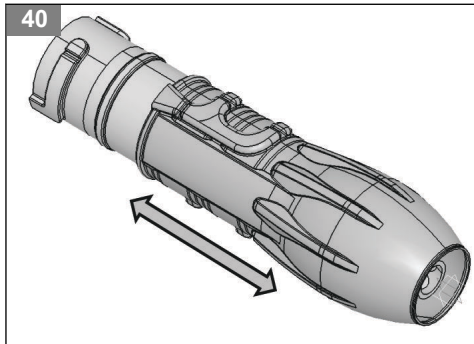
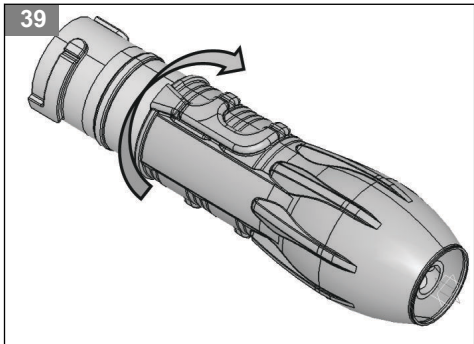
GHB28VPR



2		3		4		5		6		7	
8		9		10		11		12		13	
14		15		16		17		18		19	
20		21		22							







Contents

INTRODUCTION	6	MAINTENANCE	12
SAFETY	7	TECHNICAL DATA	14
ASSEMBLY	10	CONTENTS OF THE EC DECLARATION OF CONFORMITY	15
OPERATION	10		

INTRODUCTION

Operator's manual

The initial language of this operator's manual is English. Operator's manuals in other languages are translations from English.

Overview

(Fig. 1)

1. Shoulder strap
2. Throttle trigger
3. STOP switch
4. Cruise control
5. Fan housing
6. Fuel tank cap
7. Air filter
8. Choke control
9. Primer bulb
10. Inlet cover
11. Vacuum handle
12. Mulch blade (GBV 322VX)
13. Fan impeller
14. Lower blower tube (GBV 322)
15. VX™ blower tube (GBV 322VX)
16. Upper blower tube
17. Bolt
18. Muffler
19. Ground wire
20. Starter rope handle
21. Starter device
22. Handle
23. Combination tool
24. Collection bag tube
25. Collection bag
26. Vacuum tube in two sections
27. Screw
28. Operator's manual

Symbols on the product

- (Fig. 2) Warning
- (Fig. 3) Read this manual
- (Fig. 4) Use approved head protection

- (Fig. 5) Use approved hearing protection
- (Fig. 6) Use approved eye protection (ANSI Z87.1 or equivalent)
- (Fig. 7) Use approved protective boots and gloves
- (Fig. 8) Wear long sleeves and trousers
- (Fig. 9) Do not wear jewelry when you operate the product.
- (Fig. 10) Use the tip of the screwdriver to release the latch.
- (Fig. 11) Do not vacuum stones, gravel, metal, broken glass, rubber mulch, or other material which can cause damage to the impeller.
- (Fig. 12) The product can cause objects to eject, which can cause damage to the eyes
- (Fig. 13) Do not go near the impeller as it turns
- (Fig. 14) Full choke
- (Fig. 15) Half choke
- (Fig. 16) No choke
- (Fig. 17) Make sure that long hair is put up above your shoulders.
- (Fig. 18) Safe distance
- (Fig. 19) Guaranteed sound power level
- (Fig. 20) This product agrees with the applicable EC directives.
- (Fig. 21) The product agrees with the applicable EAC directives.
- (Fig. 22) The product agrees with the applicable Ukraine directives.

Note: Other symbols/decals on the product refer to certification requirements for other commercial areas.

EU V



WARNING: Tampering with the engine voids the EU type-approval of this product.

Product liability

As referred to in the product liability laws, we are not liable for damages that our product causes if:

SAFETY

Safety definitions

The definitions below give the level of severity for each signal word.



WARNING: Injury to persons.



CAUTION: Damage to the product.

Note: This information makes the product easier to use.

General safety instructions

- Use the product correctly. Injury or death is a possible result of incorrect use. Only use the product for the tasks found in this manual. Do not use the product for other tasks.
- Obey the instructions in this manual. Obey the safety symbols and the safety instructions. If the operator does not obey the instructions and the symbols, injury, damage or death is a possible result.
- Do not discard this manual. Use the instructions to assemble, to operate and to keep your product in good condition. Use the instructions for correct installation of attachments and accessories. Only use approved attachments and accessories.
- Do not use a damaged product. Obey the maintenance schedule. Only do the maintenance work that you find an instruction about in this manual. An approved service center must do all other maintenance work.
- This manual cannot include all situations that can occur when you use the product. Be careful and use your common sense. Do not operate the product or do maintenance on the product if you are not sure about the situation. Speak to a product expert, your dealer, service agent or approved service center for information.
- the product is incorrectly repaired.
- the product is repaired with parts that are not from the manufacturer or not approved by the manufacturer.
- the product has an accessory that is not from the manufacturer or not approved by the manufacturer.
- the product is not repaired at an approved service center or by an approved authority.
- Disconnect the spark plug cable before you assemble the product, put the product into storage or do maintenance.
- Do not use the product if it is changed from its initial specification. Do not change a part of the product without approval from the manufacturer. Only use parts approved by the manufacturer. Injury or death is a possible result of incorrect maintenance.
- Do not breathe in the fumes from the engine. Long-term inhalation of the engine's exhaust fumes is a health risk.
- Do not start the product indoors or near flammable material. The exhaust fumes are hot and can contain a spark which can start a fire. Not sufficient airflow can cause injury or death because of asphyxiation or carbon monoxide.
- When you use this product the engine makes an electromagnetic field. The electromagnetic field can cause damage to medical implants. Speak to your physician and medical implant manufacturer before you operate the product.
- Do not let a child operate the product. Do not let a person without knowledge of the instructions operate the product.
- Make sure that you always monitor a person, with decreased physical capacity or mental capacity, that uses the product. A responsible adult must be there at all times.
- Lock the product in an area that children and unapproved persons cannot access.
- The product can eject objects and cause injuries. Obey the safety instructions to decrease the risk of injury or death.
- Do not go away from the product when the engine is on.
- The operator of the product is responsible if an accident occurs.
- Make sure that parts are not damaged before you use the product.
- Make sure that you are at minimum 15 m (50 ft) away from other persons or animals before you use

the product. Make sure that persons in the adjacent area know that you will use the product.

- Refer to national or local laws. They can prevent or decrease the operation of the product in some conditions.
- Do not use the product if you are fatigued or influenced by alcohol, drugs or medicine. They can have effects on your vision, alertness, coordination or judgment.

Vibration safety

This product is for occasional operation only. Continuous or regular operation of the product can cause “white finger” or equivalent medical problems from vibrations. Examine the condition of your hands and fingers if you operate the product continuously or regularly. If your hands or fingers have discoloration, have pain, tingle, or are numb, stop work and speak to a physician immediately.

Safety instructions for operation of the blower

- Use the product only for blowing or removal of leaves and other debris on the ground.
- Do not operate the product when you are tired, ill, or have used alcohol, drugs or medicine.
- Do not let bystanders or animals to be less than 15 m (50 ft) from the operator.
- The product can eject objects at high speed that can ricochet and hit the operator. This can cause eye damage.
- Do not point the blower nozzle in the direction of persons or animals.
- Make sure that long hair is put above your shoulders.
- Stop the engine before you assemble or disassemble the accessories or other components.
- Do not operate the product without the guard.
- Do not operate the product if there are persons in the work area. Stop the product if a person goes into the work area.
- Do not operate the product in a space with unsatisfactory airflow. If the airflow is not sufficient, it can cause injury or death because of asphyxiation or carbon monoxide.
- The muffler is very hot while the product is on, after it stops and when it runs at idle speed. Be careful near flammable materials and flammable fumes.
- Do not touch the inlet cover area. Keep jewelry and loosely hanging clothing away from the inlet area.
- Always keep correct footing and operate the product only on safe and level surfaces. Slippery or not stable surfaces, such as ladders, can cause a loss of balance or control.
- Do not operate the product in a high area, such as on a roof.
- Secure the product during transport.

- Operate the product only at recommended hour. Obey the local regulations. Usual recommendations are 9:00 a.m. to 5:00 p.m. Monday through Saturday.
- Operate the product at the lowest possible throttle to do the work.
- Make sure that you cannot fall when you use the product. Do not tilt when you operate the product.
- Make sure that the product is in good condition before operation, specially the muffler, air intake and air filter.
- Use a rake or a broom to loosen ground debris before operation of the product.
- If the work area is dirty, spray it with a hose.
- Use the product as an alternative to a hose to save water.
- Blow debris safely. Look out for children, animals, open windows or vehicles.
- Do not point the product at easily damaged plants.
- Do not blow air in the direction of objects such as walls, large rocks, vehicles and fences.
- If you do work at inner corners blow from the corner and into the center of the work area. If not, debris can hit your face and cause eye injury.
- Use the full nozzle extension to keep the air stream near the ground.
- It is necessary that bystanders wear eye protection.
- Dispose the debris in the waste receptacles after use of the product.

Safety instructions for operation of the vacuum

- Prevent damage to the fan. Do not vacuum large, solid objects such as wood, cans, rubber mulch or long pieces of string.
- Do not let the vacuum tube hit the ground.
- Stop the engine and disconnect the spark plug cap before you remove a blockage or clogged material.

Personal protective equipment

- Always use correct personal protective equipment when you operate the product. The personal protective equipment does not erase the risk of injury. The personal protective equipment decreases the grade of injury if an accident occurs.
- Always use an approved eye protection while you operate the product.
- Do not operate the product with bare feet or with open shoes. Always use heavy-duty slip-resistant boots.
- Use heavy, long pants.
- If it is necessary, use approved protective gloves.
- Use a helmet if it is possible that objects fall on your head.
- Always use approved ear protection while you operate the product. Noise for a long period can cause noise-induced hearing loss.

- Always use an approved dust mask while you operate the product in dusty environments.
- Make sure that you have a first aid kit near.

Protective devices on the product

- Make sure that you regularly do the maintenance to the product.
 - The life of the product increases.
 - The risk of accidents decreases.

Let an approved dealer or an approved service center regularly examine the product to do adjustments or repairs.

- Do not use a product with damaged protective equipment. If the product is damaged, speak to an approved service center.

Stop switch

Start the engine. Make sure that the engine stops when you move the stop switch to the stop position.

Muffler



WARNING: Do not touch the muffler if it is hot. The muffler is very hot while the engine runs and after it stops. If you touch the muffler, it can cause burns.

- Do not use an engine with a damaged muffler. A damaged muffler increases the noise level and the risk of fire. Keep a fire extinguisher near.
- Examine regularly that the muffler is attached to the product.
- Do not touch the engine or the muffler when the engine is on. Do not touch the engine or the muffler for a while after the engine stops. Hot surfaces can cause injuries.
- A hot muffler can cause a fire. Be careful, if you use the product near flammable liquids or fumes.
- Do not touch the parts in the muffler, if the muffler is damaged. The parts can contain some carcinogenic chemicals.
- Some blower models have a spark-arresting screen. Clean and replace the screen at specified intervals. See the Maintenance section (*MAINTENANCE on page 12*).

Fuel safety

- Do not start the product if there is fuel or engine oil on the product. Remove the unwanted fuel/oil and let the product dry. Remove unwanted fuel from the product.
- If you spill fuel on your clothing, change clothing immediately.

- Do not get fuel on your body, it can cause injury. If you get fuel on your body, use a soap and water to remove the fuel.
- Do not start the engine if you spill oil or fuel on the product or on your body.
- Do not start the product if the engine has a leak. Examine the engine for leaks regularly.
- Be careful with fuel. Fuel is flammable and the fumes are explosive and can cause injuries or death.
- Do not breathe in the fuel fumes, it can cause injury. Make sure that there is a sufficient airflow.
- Do not smoke near the fuel or the engine.
- Do not put warm objects near the fuel or the engine.
- Do not add the fuel when the engine is on.
- Make sure that the engine is cool before you refuel.
- Before you refuel, open the fuel tank cap slowly and release the pressure carefully.
- Do not add fuel to the engine in an indoor area. Not sufficient airflow can cause injury or death because of asphyxiation or carbon monoxide.
- Tighten the fuel tank cap carefully or a fire can occur.
- Move the product at a minimum of 3 m (10 ft) from the position where you filled the tank before a start.
- Do not put too much fuel in the fuel tank.
- Make sure that a leak cannot occur when you move the product or fuel container.
- Do not put the product or a fuel container where there is an open flame, spark or pilot light. Make sure that the storage area does not contain an open flame.
- Only use approved containers when you move the fuel or put the fuel into storage.
- Empty the fuel tank before long-term storage. Obey the local law on where to dispose fuel.
- Clean the product before long-term storage.
- Remove the spark plug cable before you put the product into storage to make sure that the engine does not start accidentally.

Safety instructions for maintenance



WARNING: Incorrect maintenance can result in serious engine damage or in serious injury.

The owner is responsible for the performance of all necessary maintenance as specified in the operator's manual. Disconnect the spark plug before maintenance. Do not disconnect the spark plug before carburetor adjustments.

ASSEMBLY



WARNING: Read the safety chapter before you assemble the product.

To install the upper blower tube

1. Align the slot on the upper blower tube (A) with the tab in the blower outlet (B). (Fig. 23)
2. Push the upper blower tube fully onto the blower outlet.
3. Turn the upper blower tube until the hole in the tube is aligned with the threads in the nut in the blower outlet. (Fig. 24)
4. Install the screw (C). (Fig. 25)
5. Turn the screw clockwise with a screwdriver to attach the tube.

To install the lower blower tube

1. Align the slots on the lower blower tube (A) with the tabs on the upper blower tube (B). (Fig. 26)
2. Push the lower blower tube fully onto the upper blower tube.
3. Turn the lower blower tube fully until the tab is engaged at the end of the slot. (Fig. 27)

To install the VX™ blower tube

1. Align the slots on the VX™ blower tube (A) with the tabs on the upper blower tube (B). (Fig. 28)
2. Push the VX™ blower tube fully onto the upper blower tube.
3. Turn the VX™ blower tube fully until the tab is engaged at the end of the slot. (Fig. 29)

To install the upper vacuum tube

1. Insert the tip of a screwdriver into the latch area of the vacuum inlet. (Fig. 30)

2. Gently tilt the handle of the screwdriver toward the front of the product to release the latch.
3. Hold the vacuum inlet cover open until the upper vacuum tube is in place. (Fig. 31)
4. Align the rib on the inside of the vacuum inlet with the slots on the upper vacuum tube.

Note: Align the indicators at the vacuum inlet opening and on the upper vacuum tube.

5. Push the upper vacuum tube fully into the vacuum inlet.
6. Turn the upper vacuum tube fully clockwise until you feel a click. (Fig. 32)

To install the lower vacuum tube

1. Align the slot on the lower vacuum tube with the tab on the upper vacuum tube.
2. Push the lower vacuum tube fully onto the upper vacuum tube until the tab is engaged at the end of the slot. (Fig. 33)
3. Install the screw.
4. Turn the screw clockwise with a screwdriver to attach the tube. (Fig. 34)

To install the collection bag tube

1. Align the slot on the collection bag tube (A) with the tab in the blower outlet (B). (Fig. 35)
2. Push the collection bag tube fully onto the blower outlet.
3. Turn the collection bag tube until the hole in the tube is aligned with the threads in the nut in the blower outlet. (Fig. 36)
4. Install the screw (C).
5. Turn the screw clockwise with a screwdriver to attach the tube. (Fig. 37)

OPERATION



WARNING: Read and understand the safety chapter before you operate the product.

Fuel

To use fuel



CAUTION: This product has a two-cycle engine. Use a mixture of gasoline and two-cycle engine oil. Make sure to use the correct quantity of oil in the mixture.

Incorrect ratio of gasoline and oil can cause damage to the engine.

Gasoline



CAUTION: Do not use gasoline with an octane number less than 90 RON (87 AKI). This can cause damage to the product.



CAUTION: Do not use gasoline with more than 10% ethanol concentration (E10). This can cause damage to the product.

- Always use new unleaded gasoline with a minimum octane number of 90 RON (87 AKI) and with less than 10% ethanol concentration (E10).
- Use gasoline with a higher octane number if you frequently use the product at continuously high engine speed.

Two-cycle engine oil

- Use only high quality two-cycle engine oil. Use only an air cooled engine oil.
- Do not use other types of oil.
- Mixture ratio 50:1 (2%)

Gasoline	Oil
1 U.S. Gal.	77 ml (2,6 oz)
1 UK Gal.	95 ml (3,2 oz)
5 l	100 ml (3,4 oz)

To make the fuel mixture

Note: Always use a clean fuel container when you mix the fuel.

Note: Do not make more than 30 days quantity of fuel mixture.

1. Add half of the gasoline quantity.
2. Add the full quantity of oil.
3. Shake the fuel mixture to mix the contents.
4. Add the remaining gasoline quantity.
5. Shake the fuel mixture to mix the contents.
6. Fill the fuel tank.

To add fuel

- Always use a fuel container with an antispill valve.
- If there is some fuel on the container, remove the unwanted fuel and let the container dry.
- Make sure that the area near the fuel tank cap is clean.
- Shake the fuel container before you add the fuel mixture to the fuel tank.

To start and stop

Before you start the engine

- Examine the product for missing, damaged, loose or worn parts.
- Examine the collection bag. Make sure that the collection bag is not damaged and that the zipper is closed.
- Examine the nuts, screws and bolts.
- Examine the air filter.
- Examine the throttle trigger for correct operation.
- Examine the stop switch for correct operation.

- Examine the product for fuel leaks.

To start a cold engine



WARNING: Do not wind the starter rope around your arm.



CAUTION: Do not hold the product with your foot.



CAUTION: Do not pull the starter rope to the end position. Do not let go of the starter rope handle when the starter rope is extended. This can cause damage to the product.

Note: If the engine stops, move the choke control to the closed position and do the starting steps again.

1. Fill the fuel tank with a clean fuel mixture.
2. Use your left hand to hold the body of the machine on the ground. Make sure the blower end is pointed away from persons, animals, glass and solid objects.
3. Slowly push the air purge bulb 10 times.
4. Move the choke lever to the FULL CHOKE position.
5. Squeeze and hold the throttle trigger.
6. Pull the starter rope handle quickly until the engine tries to run, but no more than 3 pulls.

Note: If the temperature is less than 4°C (40°F), continue to pull the starter rope handle until the engine tries to start.

7. Move the choke lever to the HALF CHOKE position.
8. Pull the starter rope handle quickly until the engine runs.
9. Let the engine run for 10 seconds.
10. Move the choke lever to the NO CHOKE position.

To start a warm engine

1. Slowly push the air purge bulb 10 times.
2. Move the choke lever to the HALF CHOKE position.
3. Pull the starter rope handle quickly until the engine runs.
4. Move the choke lever to the NO CHOKE position.

To start an engine with vapor lock

Vapor lock occurs when the fuel in the fuel line or carburetor vaporizes because of increased heat.

The product may have vapor lock if it does not restart in an ambient temperature of more than 35°C (95°F) and it has been shut off for 15-45 minutes.

1. Push the air purge bulb again and again for 10-15 seconds.

2. Move the choke lever to the HALF CHOKE position.
3. Pull the starter rope handle quickly until the engine runs.
4. Let the engine warm up for 3 minutes at idle speed.
5. Move the choke lever to the NO CHOKE position.

To stop the engine

- Push and release the engine STOP switch. The switch automatically returns to the ON position. Wait 7 seconds before you try to restart the product to make sure that the switch resets.

To adjust the VX™ blower tube

1. Align the correct slot (A or B) on the outer VX™ blower tube with the tab (C) on the inner tube. (Fig. 38)

Note: You cannot see the tab when the tubes are assembled. You must feel the position of the tab as you move the outer tube.

Note: Engage the tab in position "A" for a large blower opening. A large blower opening moves wide areas of dry leaves and other unwanted material. Engage the tab in position "B" for a small blower opening. A small blower opening makes air flow faster to clean cracks and edging and to move heavy material such as wet leaves.

2. Turn the outer tube as shown to disengage the tab from the slot. (Fig. 39)
3. Move the outer tube along the inner tube to change the position. (Fig. 40)
4. Turn the outer tube as shown until the tab is fully engaged at the end of the correct slot location. (Fig. 41)

Operation position

- Blower (Fig. 42)

- Vacuum (Fig. 43)

To vacuum

Before you vacuum, put on the necessary safety equipment.



WARNING: Make sure that the collection bag is not damaged and that the zipper is closed before use. Do not use a bag that is damaged. This prevents injury caused by flying debris. Left hand operation increases the risk. Do not let your body touch the exhaust outlet area.



WARNING: Do not start the blower if the inlet cover is open or damaged (except if the vacuum tube is fitted).

- During operation of the blower the collection bag must be held by the shoulder strap. The strap must be worn on the top of the shoulder.
- Start the blower. Obey the instructions in the start and stop section *To start and stop on page 11*. Read the safety instructions *SAFETY on page 7*.

To empty the collection bag



WARNING: Always examine the collection bag. Make sure that it is not damaged and that the zipper is closed before use. Do not use a damaged bag. There is a risk of injury because of flying debris. Be careful if left hand operation is applied. Do not touch the exhaust outlet area.

1. Stop the product.
2. Open the zipper on the side.
3. Empty the collection bag.
4. Close the zipper.

MAINTENANCE



WARNING: Read and understand the safety chapter before you clean, repair or do maintenance on the product.

Maintenance schedule

Make sure that you obey the maintenance schedule. The intervals are calculated from daily use of the product. The intervals are different if you do not use the product each day. Only do the maintenance work that is found in this manual. Speak to an approved service center about other maintenance work not found in this manual.

Daily maintenance

- Clean the external surfaces.
- Examine the speed control and the throttle trigger function. Replace damaged parts.
- Examine the stop switch. If it is necessary, replace it.
- Examine the idle speed.
- Clean the air filter. If it is necessary, replace it.
- Make sure that the inlet cover can be locked in closed position. Make sure that the impeller is clean.
- Tighten all nuts and screws.
- Make sure that the housings are free of cracks.
- Make sure that the collection bag is not damaged and that the zipper works. Replace the bag if necessary.

Weekly maintenance

- Examine the condition of the starter device, the starter rope and the tension spring. Replace all damaged parts.
- Examine the condition of the air intake at the starter device. Remove debris if the air intake is clogged.
- Clean the external side of the spark plug. Remove it and examine the electrode gap. Adjust the distance to 6 mm (0.024 in) or replace the spark plug.
- Clean the blades on the impeller.
- Clean the spark-arrester screen and replace it if necessary (not on mufflers with a catalytic converter).
- Clean the carburetor area.
- Clean the air filter.

Monthly maintenance

- Examine the starter rope handle and the starter rope.
- Clean the fuel tank.
- Clean the carburetor and the area around it.
- Clean the blades on the impeller.
- Examine the fuel lines for cracks or other damage. Change if necessary
- Change the fuel filter in the fuel tank.
- Examine all cables and connections.
- Replace the spark plug.
- Change the air filter.

Yearly maintenance

- Examine the spark plug.
- Clean the external surface of the carburetor and its adjacent areas.
- Clean the cooling system.
- Examine the spark arrester screen.
- Examine the fuel filter.
- Examine the fuel hose for damage.
- Examine all cables and connections.

50 hours maintenance

- Have an approved service center repair or replace the muffler.

To adjust the idle speed

Make sure that the air filter is clean and the air filter cover is attached before you adjust the idle speed.

Adjust the idle speed with the idle adjustment screw. (Fig. 44)

The idle speed is correct when the engine operates smoothly in all positions.

1. Turn the idle adjustment screw clockwise for higher speed.
2. Turn the idle adjustment screw counterclockwise for lower speed.

To do maintenance on the spark arrester screen

Use a wire brush to clean the spark arrester screen.

To clean the cooling system

Clean the parts of the cooling system with a brush.

To examine the spark plug



CAUTION: Always use the recommended spark plug type. Incorrect spark plug type can cause damage to the product.

- Examine the spark plug if the engine is low on power, is not easy to start or does not operate correctly at idle speed.
- To decrease the risk of unwanted material on the spark plug electrodes, obey these instructions:
 - a) Make sure that the idle speed is correctly adjusted.
 - b) Make sure that the fuel mixture is correct.
 - c) Make sure that the air filter is clean.
- If the spark plug is dirty, clean it and make sure that the electrode gap is correct. See *TECHNICAL DATA on page 14*. (Fig. 45)
- Replace the spark plug, if necessary.

To do the maintenance to the air filter

To clean the air filter

1. Remove the air filter cover and remove the air filter.
2. Clean the air filter with warm soap water. Make sure that the air filter is dry before you install it.
3. Replace the air filter if it is too dirty to fully clean it. Always replace a damaged air filter.
4. If your product has a foam air filter, apply air filter oil. Only apply air filter oil to a foam filter. Do not apply oil to a felt filter.

TECHNICAL DATA

	unit	GBV 322 (GHB28VPR)	GBV 322VX (GHB28VPR)
Engine Specifications			
Cylinder displacement	cm ³	26	26
Electrode gap	mm	0.6	0.6
Fuel tank volume	cm ³	500	500
Idling speed	min ⁻¹	2800 - 3200	2800 - 3200
Maximum power speed	min ⁻¹	8000	8000
Power output	kW	0.8	0.8
Spark plug		Champion RCJ-6Y	Champion RCJ-6Y
Maximum speed blow mode	min ⁻¹	8600	8600
Maximum speed vacuum mode	min ⁻¹	--	7500
Emission durability period	h	50	50
Noise and Vibration Data			
Equivalent vibration level at handles with blower tubes and nozzle (original) - see note 1	m/s ²	7.5	7.5
Equivalent vibration level at handles with vacuum tubes (original), left/right - see note 1	m/s ²	7.4	7.4
Equivalent sound pressure level at the operators' ear measured according to ISO 22868 equipped with blower tubes and nozzle (original) - see note 3	dB(A)	95.6	95.6
Sound power level, guaranteed (L _{WA}) - see note 2	dB(A)	112	112
Sound power level, measured - see note 2	dB(A)	109	109
Product Dimensions			
Weight	kg	4.4	4.5
<p>Note 1: Reported data for equivalent vibration level has a typical statistical dispersion (standard deviation) of 1.5 m/s².</p> <p>Note 2: Noise emissions in the environment measured as sound power (L_{WA}) in conformity with EC directive 2000/14/ EC. Reported sound power level for the machine has been measured with the original attachment that gives the highest level. The difference between guaranteed and measured sound power is that the guaranteed sound power also includes dispersion in the measurement result and the variations between different machines of the same model according to Directive 2000/14/EC.</p> <p>Note 3: Reported data for equivalent sound pressure level for the machine has a typical statistical dispersion (standard deviation) of 3 dB (A).</p>			

Fan	unit	GBV 322	GBV 322VX
Type		Radial fan	Radial fan
Max. air velocity, standard nozzle	km/h	322	-
Max. air velocity, VX™ blower tube*	km/h	-	370
Air volume blow mode	cfm	370	450
Air volume vacuum mode	cfm	490	490
Mulch ratio		10:1	16:1
*optional accessory			

CONTENTS OF THE EC DECLARATION OF CONFORMITY

We, Husqvarna AB, SE 561 82 Huskvarna, SWEDEN, declare under our sole responsibility that the represented product:

manufacturing locations and Countries of Origin, as stated on the product.

The supplied Gasoline Blower/ Blower-Vacuum conforms to the example that underwent examination.

Description	Gasoline Blower/ Blower-Vacuum
Brand	McCulloch
Platform / Type / Model	Platform GHB28VPR, representing model GBV 322, GBV 322VX
Batch	Serial number dating 2018 and onwards

complies fully with the following EU directives and regulations:

Directive/Regulation	Description
2006/42/EC	"relating to machinery"
2014/30/EU	"relating to electromagnetic compatibility"
2000/14/EC	"relating to outdoor noise"

Harmonized standards and/or technical specifications applied are as follows: EN ISO 12100, EN 15503, CISPR 12, ISO 14982

In accordance with directive 2000/14/EC, Annex V, the declared sound values are stated in the technical data section of this manual and in the signed EC Declaration of Conformity.

TÜV Rheinland N.A. has carried out a voluntary examination on behalf of Husqvarna AB, providing a Certificate of conformity to EC Council directive 2006/42/EC for machinery.

The certificate, as provided on the signed EC Declaration of Conformity, is applicable to all

Содержание

ВЪВЕДЕНИЕ.....	16	ТЕХНИЧЕСКО ОБСЛУЖВАНЕ.....	24
БЕЗОПАСНОСТ.....	17	ТЕХНИЧЕСКИ ХАРАКТЕРИСТИКИ.....	25
МОНТАЖ.....	20	СЪДЪРЖАНИЕ НА ДЕКЛАРАЦИЯТА ЗА	
РАБОТА.....	21	СЪОТВЕТСТВИЕ НА ЕС.....	26

ВЪВЕДЕНИЕ

Инструкция за експлоатация

Оригиналната версия на настоящата инструкция за експлоатация е на английски език. Инструкциите за

експлоатация на други езици са преведени от английски.

Преглед

(Фиг. 1)

1. Презраменен ремък
2. Спусък на газта
3. Превключвател за спиране
4. Функция за задържане
5. Капак на вентилатора
6. Капачка на резервоара за гориво
7. Въздушен филтър
8. Смукач
9. Подкачваща помпа
10. Входен капак
11. Вакуумна дръжка
12. Нож за мулчиране (GBV 322VX)
13. Ротор на вентилатора
14. Долна продухваща тръба (GBV 322)
15. VX™ продухваща тръба (GBV 322VX)
16. Горна продухваща тръба
17. Болт
18. Ауслух
19. Заземяващ проводник
20. Дръжка на въжето на стартера
21. Стартерно устройство
22. Ръкохватка
23. Комбиниран инструмент
24. Тръба на торбичката за събиране
25. Торбичка за събиране
26. Вакуумна тръба от две секции
27. Винт
28. Инструкция за експлоатация

- (Фиг. 5) Използвайте одобрени антифони
- (Фиг. 6) Използвайте одобрени защитни средства за очите (ANSI Z87.1 или еквивалентен)
- (Фиг. 7) Използвайте одобрени защитни ботуши и ръкавици
- (Фиг. 8) Носете дълги ръкави и панталони
- (Фиг. 9) Носете бижута, когато работите с продукта.
- (Фиг. 10) Използвайте върха на отвертката за освобождаване на фиксатора.
- (Фиг. 11) Не засмуквайте камъни, чакъл, метал, счупени стъкла, каучукови стърготини или други материали, които могат да повредят ротора.
- (Фиг. 12) Възможно е изхвърчане на предмети от продукта, което може да доведе до увреждане на очите
- (Фиг. 13) Не се приближавайте до ротора, когато работи
- (Фиг. 14) Пълен смукач
- (Фиг. 15) Половин смукач
- (Фиг. 16) Без смукач
- (Фиг. 17) Уверете се, че дългата коса е прибрана над раменете.
- (Фиг. 18) Безопасно разстояние
- (Фиг. 19) Гарантирано ниво на звукова мощност
- (Фиг. 20) Този продукт е в съответствие с приложимите директиви на ЕО.
- (Фиг. 21) Продуктът е в съответствие с приложимите директиви на ЕАС.

Символи върху машината

(Фиг. 2) Предупреждение

(Фиг. 3) Прочетете това ръководство

(Фиг. 4) Използвайте одобрена защита за глава

Продуктът е в съответствие с (Фиг. 22) приложимите директиви на Украйна.

Забележка: Останалите символи/стикери на продукта се отнасят до изисквания по отношение на сертификати за други търговски зони.

EU V



ПРЕДУПРЕЖДЕНИЕ: Намесата в двигателя прави невалидно ЕС одобрението на тип на този продукт.

Отговорност за вреди, причинени от стоки

Както е посочено в законите за отговорност за вреди, причинени от стоки, ние не носим отговорност за щети, причинени от нашия продукт, ако:

- продуктът е неправилно ремонтиран.
- продуктът е ремонтиран с части, които не са от производителя или не са одобрени от производителя.
- продуктът има принадлежност, която не е от производителя или не е одобрена от производителя.
- продуктът не е ремонтиран в одобрен сервизен център или от одобрен орган.

БЕЗОПАСНОСТ

Дефиниции за безопасност

Дефинициите по-долу предоставят нивото на сериозност за всяка една предупредителна дума.



ПРЕДУПРЕЖДЕНИЕ: Нараняване на лица.



ВНИМАНИЕ: Повреда на продукта.

Забележка: Тази информация прави продукта по-лесен за използване.

Общи инструкции за безопасност

- Използвайте правилно продукта. Неправилната употреба може да доведе до нараняване или смърт. Използвайте продукта само за задачите, описани в настоящето ръководство. Не използвайте продукта за други задачи.
- Спазвайте инструкциите в тази инструкция за експлоатация. Спазвайте символите за безопасност и инструкциите за безопасност. Ако операторът не спазва инструкциите и символите, резултатът може да е нараняване, повреда или смърт.
- Не изхвърляйте това ръководство. Следвайте инструкциите за монтиране, използване и поддръжка на продукта в добро състояние. Следвайте инструкциите за правилен монтаж на приспособленията и принадлежностите. Използвайте само одобрени приспособления и принадлежности.

- Не използвайте повреден продукт. Спазвайте графика за техническо обслужване. Извършвайте само дейностите по техническо обслужване, за които ще намерите инструкцията в това ръководство. Всички други дейности по техническото обслужване трябва да бъдат извършени от одобрен сервизен център.
- Това ръководство не може да включва всички ситуации, които биха могли да възникнат при използване на продукта. Бъдете внимателни и действайте разумно. Не работете с продукта и не извършвайте техническо обслужване на същия, ако не сте наясно със ситуацията. За да получите информация, говорете с експерт по продукта, Вашия дистрибутор, сервиз или с одобрен сервизен център.
- Разкачете проводника на запалителната свещ преди сглобяване, складиране или техническо обслужване на продукта.
- Не използвайте продукта, ако е променен спрямо първоначалните му спецификации. Не сменяйте някоя част на продукта без одобрение от производителя. Използвайте само одобрени от производителя части. Неправилното техническо обслужване е възможно да доведе до нараняване или смърт.
- Не вдишвайте изпарения от двигателя. Продължителното вдишване на отработените газове от двигателя е опасно за здравето.
- Не стартирайте продукта на закрито или близо до запалими материали. Отработените газове са горещи и биха могли да съдържат искри, които да предизвикат пожар. Недостатъчният въздушен поток може да доведе до нараняване или смърт поради задушаване или въглероден окис.
- Когато използвате този продукт, двигателят създава електромагнитно поле.

Електромагнитното поле може да предизвика повреда на медицински импланти. Говорете с Вашия лекар или с производителя на медицинския имплант, преди да започнете работа с продукта.

- Не позволявайте на деца да работят с продукта. Не позволявайте на лица, които не са запознати с инструкциите, да работят с продукта.
- Уверете се, че винаги наблюдавате лица с намален физически или умствен капацитет, които използват продукта. През цялото време трябва да присъства отговорен възрастен.
- Заклучете продукта в зона, до която нямат достъп деца и неодобренни лица.
- Възможно е от продукта да изхвърчат предмети и да причинят наранявания. Спазвайте инструкциите за безопасност, за да намалите опасността от нараняване или смърт.
- Не се отдалечавайте от продукта, когато двигателят работи.
- Операторът на продукта е отговорен при възникването на инцидент.
- Уверете се, че частите не са повредени, преди да използвате продукта.
- Уверете се, че сте на разстояние от най-малко 15 m (50 ft) от други лица или животни, преди да използвате продукта. Уверете се, че хората, които се намират близо до Вас, са наясно, че ще използвате продукта.
- Направете справка с националните или местните закони. Те биха могли да предотвратят или ограничат работата на продукта при определени условия.
- Не използвайте продукта, ако сте уморен(а) или сте под въздействието на алкохол, наркотици или лекарства. Те могат да окажат въздействие върху Вашето зрение, бдителност, координация или преценка.

Безопасност при вибрация

Този продукт е само за сравнително рядка работа. Продължителната или редовната работа с продукта може да доведе до „вибрационна болест“ или подобни медицински проблеми, причинени от вибрации. Ако работите продължително или често с продукта, проверявайте състоянието на ръцете и пръстите си. Ако ръцете или пръстите ви се обезцветяват, имате болка, изтръпване или схващане, спрете работа и незабавно се консултирайте с лекар.

Инструкции за безопасност при работа с компресорното оборудване

- Използвайте продукта само за издухване или отстраняване на листа и други отпадъци по земята.

- Не работете с продукта, когато сте уморени, болни или под въздействието на алкохол, наркотици или лекарства.
- Не допускайте странични наблюдатели, нито животни на по-малко от 15 m (50 ft) от оператора, използващ продукта.
- Възможно е от продукта да изхвърчат предмети с висока скорост, които може да рикошират и да ударят оператора. Това може да доведе до увреждане на очите.
- Не насочвайте накрайника на компресорното оборудване по посока хора или животни.
- Уверете се, че дългата коса е вдигната над раменете.
- Спирайте двигателя преди монтиране или демонтиране на приспособления или други компоненти.
- Не работете с продукта без предпазителя.
- Не работете с продукта, ако има хора в работната зона. Спрете продукта, ако в работната зона влезе човек.
- Не работете с продукта на места с недостатъчен въздушен поток. Недостатъчният въздушен поток може да доведе до нараняване или смърт поради задушаване или вдишване на въглероден окис.
- Ауспухът е извънредно горещ, докато продуктът работи, включително при обороти на празен ход, както и след като спре. Внимавайте в близост до запалителни материали или изпарения.
- Не докосвайте зоната на входния капак. Украшения и широки дрехи трябва да са далеч от зоната на входния отвор.
- Винаги стъпвайте стабилно и работете с продукта само на сигурна и равна повърхност. Хлъзгавите или нестабилни повърхности, като например стълби, могат да предизвикат загуба на баланс или контрол.
- Не работете с продукта, когато се намирате на високо място, например на покрив.
- Обезопасете продукта при транспортиране.
- Работете с продукта само в препоръчаните часове. Съблюдавайте местните разпоредби. Обикновено препоръките са от 09:00 до 17:00 ч. от понеделник до петък.
- При работа с продукта използвайте най-ниските възможни обороти, необходими за конкретната работа.
- Уверете се, не можете да паднете, когато използвате продукта. Не накланяйте при работа с продукта.
- Уверете се, че продуктът е в добро състояние, преди да започнете работа с него, най-вече ауспухът, смукателният въздухопровод и въздушният филтър.
- Разровете отпадъците по земята с гребло или метла, преди да включите продукта.
- Ако работната площ е замърсена, напръскайте я с маркуч.

- Продуктът може да се използва вместо маркуч за спестяване на вода.
- Издухвайте отпадъците безопасно. Внимавайте за деца, домашни любимци, отворени прозорци или превозни средства.
- Не насочвайте продукта към крехки растения.
- Не насочвайте духалката към обекти от рода на стени, големи камъни, превозни средства или огради.
- Ако работите в ъглови части, издухвайте от ъгъла към центъра на работната зона. В противен случай е възможно отпадъците да Ви ударят в лицето и да предизвикат увреждане на очите.
- Използвайте пълния удължител на крайника, така че въздушният поток да бъде близо до земята.
- Необходимо е страничните наблюдатели да носят защитни средства за очите.
- След използване на продукта изхвърлете отпадъците в контейнерите за боклук.

Инструкции за безопасност при работа със смукалката

- Пазете вентилатора от повреда. Не засмуквайте големи и твърди отпадъци от сорта на парчета дърво, кутии, каучуков мулч или дълги части от въже.
- Не позволявайте на вакуумната тръба да докосне земята.
- Спрете двигателя и разкачете лулата на запалителната свещ, преди да премахнете пречката или задръстващия материал.

Лични предпазни средства

- Винаги използвайте правилните лични предпазни средства, когато работите с продукта. Личните предпазни средства не елиминират опасността от нараняване. Личните предпазни средства намаляват степента на нараняване при възникването на инцидент.
- Винаги използвайте одобрени защитни средства за очите, когато работите с продукта.
- Не работете с продукта с голи крака или с отворени обувки. Винаги използвайте устойчиви на плъзгане ботуши за тежък режим на работа.
- Използвайте дълги панталони от здрав плат.
- Ако е необходимо, използвайте одобрени защитни ръкавици.
- Използвайте каска, ако е възможно, за да се предпазите от падащи на главата предмети.
- Винаги използвайте одобрени антифони, когато работите с продукта. Продължителният шум може да доведе до загуба на слуха, причинена от шум.
- Винаги използвайте одобрена респираторна маска, докато работите с продукта в запрашени среди.

- Уверете се, че близо до Вас има комплект за първа помощ.

Устройства за безопасност на продукта

- Уверете се, че редовно извършвате техническо обслужване на продукта.
 - Срокът на експлоатация на продукта се увеличава.
 - Рискът от злополука намалява.
- Позволете на одобрен дилър или одобрен сервизен център да извършва редовна проверка на продукта за корекции или ремонтни дейности.
- Не използвайте продукт с повредени предпазни средства. Ако продуктът е повреден, се консултирайте с одобрен сервизен център.

Превключвател за спиране

Стартирайте двигателя. Уверете се, че двигателят спира, когато преместите превключвателя за спиране в стоп позиция.

Ауспух



ПРЕДУПРЕЖДЕНИЕ: Не докосвайте ауспуха, ако е горещ. Ауспухът е горещ по време на работа, но и след като двигателят спре. При докосване на ауспуха има възможност от изгаряния.

- Не използвайте двигател с повреден ауспух. Повреденият ауспух повишава нивото на шума и риска от пожар. Съхранявайте наблизко пожарогасител.
- Редовно проверявайте дали ауспухът е закрепен към продукта.
- Не докосвайте двигателя или ауспуха, когато двигателят е включен. Не докосвайте двигателя или ауспуха за известно време след спиране на двигателя. Горещите повърхности могат да причинят нараняване.
- Горещият ауспух може да причини пожар. Бъдете внимателни, ако използвате продукта близо до запалителни течности или изпарения.
- Не докосвайте частите в ауспуха, ако е повреден. Частите могат да съдържат канцерогенни химикали.
- Някои модели компресорно оборудване имат предпазна искрогасителна мрежа. През определени интервали я почиствайте и подменяйте. Вижте раздел "Поддръжка" (*ТЕХНИЧЕСКО ОБСЛУЖВАНЕ на страница 24*).

Безопасност при работа с гориво

- Не включвайте продукта, ако върху него има гориво или моторно масло. Отстранете нежеланото гориво/масло и оставете продукта да изсъхне. Отстранете нежеланото гориво от продукта.

- Ако разлеете гориво по дрехите си, сменете ги незабавно.
- Внимавайте да не попадне гориво върху тялото Ви, това може да доведе до телесни увреждания. Ако гориво попадне върху тялото Ви, използвайте сапун и вода, за да го отстраните.
- Не стартирайте двигателя, ако разлеете масло или гориво върху продукта или тялото си.
- Не стартирайте продукта, ако от двигателя има теч. Проверявайте редовно двигателя за течове.
- Внимавайте с горивото. Горивото е запалимо, изпаренията са взривоопасни и могат да причинят телесни увреждания или смърт.
- Не вдишвайте горивните изпарения, това може да доведе до телесни увреждания. Уверете се, че има достатъчен въздушен поток.
- Не пушете близо до горивото или двигателя.
- Не поставяйте топли предмети близо до горивото или двигателя.
- Не добавяйте гориво, когато двигателят работи.
- Уверете се, че двигателят е истинал преди зареждане с гориво.
- Преди зареждане с гориво отворете бавно капачката на резервоара за гориво и освободете внимателно налягането.
- Не добавяйте гориво към двигателя на закрито. Недостатъчният въздушен поток може да доведе до нараняване или смърт поради задушаване или въглероден окис.
- Затегнете внимателно капачката на резервоара за гориво или може да възникне пожар.
- Преди да включите двигателя, преместете продукта на най-малко 3 m (10 ft) от мястото, където сте заредили резервоара.
- Не препълвайте резервоара за гориво.
- Уверете се, че няма течове, когато местите продукта или резервоара за гориво.
- Не поставяйте продукта или резервоара за гориво на място, където има открит огън, искри или постоянна малка горелка. Уверете се, че в зоната за съхранение няма открит огън.
- При преместване или съхранение на гориво използвайте само одобрени за целта контейнери.
- Изпразнете резервоара за гориво преди дългосрочно съхранение. Спазвайте местните закони за това къде да изхвърляте горивото.
- Почистете продукта преди дългосрочно съхранение.
- Отстранете проводника на запалителната свещ, преди да оставите продукта за съхранение, за да се уверите, че двигателят няма случайно да се включи.

Инструкции за безопасност за поддръжка



ПРЕДУПРЕЖДЕНИЕ: Неправилно техническо обслужване може да доведе до сериозна повреда на двигателя или до сериозно нараняване.

Собственикът носи отговорност за спазването на всички необходими операции по техническото обслужване, описани в инструкцията за експлоатация. Разкачете запалителната свещ преди техническо обслужване. Не разкачвайте свещта преди регулиране на карбуратора.

МОНТАЖ



ПРЕДУПРЕЖДЕНИЕ: Прочетете главата за безопасност преди сглобяване на продукта.

За монтаж на горната продукваща тръба

1. Подравнете прореза на горната продукваща тръба (A) с палеца на изхода на компресорното оборудване (B). (Фиг. 23)
2. Натиснете докрай горната продукваща тръба върху изхода на компресорното оборудване.
3. Завъртете горната продукваща тръба, докато отворът в тръбата се подравни с резбата на гайката на изхода на компресорното оборудване. (Фиг. 24)
4. Монтирайте винта (C). (Фиг. 25)
5. С отвертка завъртете винта по часовниковата стрелка, за да присъедините тръбата.

За монтаж на долната продукваща тръба

1. Подравнете прорезите на долната продукваща тръба (A) с палците на горната продукваща тръба (B). (Фиг. 26)
2. Натиснете долната продукваща тръба докрай върху горната продукваща тръба.
3. Завъртете долната продукваща тръба докрай, докато палецът се захване в края на прореза. (Фиг. 27)

За монтаж на [™] продукваща тръба VX

1. Подравнете прорезите на [™] продукващата тръба VX (A) с палците на горната продукваща тръба (B). (Фиг. 28)
2. Натиснете [™] продукващата тръба VX докрай върху горната продукваща тръба.

- Завъртете™ продухващата тръба VX докрай, докато палецът се захване в края на прореза. (Фиг. 29)

За монтаж на горната тръба за вакуум

- Вкарайте върха на отвертка на мястото за закачване на отвора за вакуум. (Фиг. 30)
- Внимателно наклонете дръжката на отвертката към предната част на продукта, за да освободите фиксатора.
- Дръжте отворен капака на входа за вакуум, докато наместите горната тръба за вакуум. (Фиг. 31)
- Подравнете издатината отвътре на входа за вакуум с прорезите на горната тръба за вакуум.

Забележка: Подравнете белезите на входния отвор за вакуум и на горната тръба за вакуум.

- Натиснете горната тръба за вакуум докрай във входа за вакуум.
- Завъртете докрай горната тръба за вакуум по часовниковата стрелка, докато усетите щракване. (Фиг. 32)

За монтаж на долната тръба за вакуум

- Подравнете прореза на долната тръба за вакуум с палеца на горната тръба за вакуум.

- Натиснете долната тръба за вакуум докрай върху горната тръба за вакуум, докато палецът се захване в края на прореза. (Фиг. 33)
- Монтирайте винта.
- С отвертка завъртете винта по часовниковата стрелка, за да присъедините тръбата. (Фиг. 34)

За монтаж на тръбата на торбичката за събиране

- Подравнете прореза на тръбата на торбичката за събиране (А) с палеца на изхода на компресорното оборудване (В). (Фиг. 35)
- Натиснете докрай тръбата на торбичката за събиране върху изхода на компресорното оборудване.
- Завъртете тръбата на торбичката за събиране, докато отворът на тръбата се подравни с резбата на гайката на изхода на компресорното оборудване. (Фиг. 36)
- Монтирайте винта (С).
- С отвертка завъртете винта по часовниковата стрелка, за да присъедините тръбата. (Фиг. 37)

РАБОТА



ПРЕДУПРЕЖДЕНИЕ: Прочетете и разберете раздела с инструкции за безопасност преди работа с продукта.



ВНИМАНИЕ: Не използвайте бензин с повече от 10% концентрация на етанол (Е10). Това може да повреди продукта.

Гориво

Използване на гориво



ВНИМАНИЕ: Този продукт разполага с двутактов двигател. Използвайте смес от бензин и моторно масло за двутактови двигатели. Не забравяйте да използвате правилното количество от масло в сместа. Грешното съотношение между бензин и масло може да доведе до повреда на двигателя.

- Винаги използвайте пресен безоловен бензин с минимално октаново число от 90 RON (87 AKI) и с по-малко от 10% концентрация на етанол (Е10).
- Използвайте бензин с по-високо октаново число, ако често използвате продукта при постоянно високи обороти на двигателя.

Масло за двутактови двигатели

- Използвайте само висококачествено масло за двутактови двигатели. Използвайте само моторно масло за двигатели с въздушно охлаждане.
- Не използвайте други типове масла.
- Съотношението за смесване 50:1 (2%)

Бензин



ВНИМАНИЕ: Не използвайте бензин с октаново число по-малко от 90 RON (87 AKI). Това може да повреди продукта.

Бензин	Масло
1 американски галон	77 ml (2,6 oz)
1 имперски галон	95 ml (3,2 oz)

Бензин	Масло
5 l	100 ml (3,4 oz)

За да направите горивната смес

Забележка: Винаги използвайте чист контейнер за гориво, когато смесвате горивото.

Забележка: Не правете повече от 30-дневно количество от горивна смес.

1. Добавете половината от бензиновата смес.
2. Добавете цялото количество масло.
3. Разклатете горивната смес, за да смесите съдържанието.
4. Добавете останалото количество бензин.
5. Разклатете горивната смес, за да смесите съдържанието.
6. Напълнете резервоара за гориво.

За да добавите гориво

- Винаги използвайте резервоар за гориво с клапан против разливане.
- Ако върху резервоара има гориво, отстранете нежеланото гориво и оставете резервоара да изсъхне.
- Уверете се, че зоната близо до капачката на резервоара за гориво е чиста.
- Разклатете резервоара за гориво, преди да добавите горивната смес към резервоара за гориво.

За стартиране и спиране

Преди стартиране на двигателя

- Проверете продукта за липсващи, повредени, разхлабени или износени части.
- Проверете торбичката за събиране. Уверете се, че торбичката за събиране не е повредена и че ципът е затворен.
- Проверете гайките, винтовете и болтовете.
- Проверете въздушния филтър.
- Проверете, че регулаторът на газта работи правилно.
- Проверете превключвателя за спиране за правилна работа.
- Проверете продукта за теч на гориво.

Включване при студен двигател



ПРЕДУПРЕЖДЕНИЕ: Не навивайте въжето на стартера около ръката си.



ВНИМАНИЕ: Не подпирайте продукта с крак.



ВНИМАНИЕ: Не издърпвайте въжето на стартера докрай. Не пускайте дръжката на въжето на стартера, когато е изтеглено. Това може да повреди продукта.

Забележка: Ако двигателят спре, върнете смукача на позиция "затворено" и повторете стъпките на стартиране.

1. Напълнете резервоара за гориво с чиста горивна смес.
2. С лявата си ръка задръжте корпуса на машината на земята. Уверете се, че краят на компресорното оборудване е насочен настрани от лица, животни, стъкла и твърди предмети.
3. Бавно натиснете купола на горивната помпа 10 пъти.
4. Преместете лоста на смукача в положение на ПЪЛЕН СМУКАЧ.
5. Натиснете и задръжте спусъка на газта
6. Дръпнете дръжката на въжето за стартиране бързо, докато моторът се опита да заработи, но не повече от 3 пъти.

Забележка: Ако температурата е по-ниска от 4°C (40°F), продължете да дърпате дръжката на въжето за стартиране, докато моторът се опитва да стартира.

7. Преместете лоста на смукача в положение на ПОЛОВИН СМУКАЧ.
8. Дръпнете бързо дръжката на въжето на стартера, докато двигателят заработи.
9. Оставете двигателя да работи в продължение на 10 секунди.
10. Преместете лоста на смукача в положение на БЕЗ СМУКАЧ.

Включване при топъл двигател

1. Бавно натиснете купола на горивната помпа 10 пъти.
2. Преместете лоста на смукача в положение на ПОЛОВИН СМУКАЧ.
3. Дръпнете бързо дръжката на въжето на стартера, докато двигателят заработи.
4. Преместете лоста на смукача в положение на БЕЗ СМУКАЧ.

За стартиране на двигател със задържане на изпарения

Задържане на изпарения се получава, когато горивото в горивопровода или карбуратора се изпарява заради повишена топлина.

Продуктът може да има задържани изпарения, ако не се рестартира при околна температура от повече от 35°C (95°F) и е бил спрял за 15 – 45 минути.

1. Натиснете купола на горивната помпа няколко пъти в продължение на 10 – 15 секунди.
2. Преместете лоста на смукача в положение на ПОЛОВИН СМУКАЧ.
3. Дръпнете бързо дръжката на въжето на стартера, докато двигателят заработи.
4. Оставете двигателя да загрее за 3 минути при обороти на празния ход.
5. Преместете лоста на смукача в положение на БЕЗ СМУКАЧ.

За да спрете двигателя

- Натиснете и отпуснете ключа STOP на двигателя. Ключът автоматично се връща на позиция ON. Изчакайте 7 секунди, преди да се опитате да включите продукта отново, за да се рестартира ключът.

За регулиране на™ продухващата тръба VX

1. Подравнете правилния прорез (А или В) на външната™ продухваща тръба VX с палеца (С) на вътрешната тръба. (Фиг. 38)

Забележка: Палецът не се вижда, когато тръбите са монтирани. Трябва да усетите позицията на палеца, когато местите външната тръба.

Забележка: Захванете палеца в позиция "А" за голям отвор на компресорното оборудване. Големият отвор на компресорното оборудване издухва обширни зони със сухи листа и друг нежелан материал. Захванете палеца в позиция "В" за малък отвор на компресорното оборудване. Малкият отвор на компресорното оборудване увеличава скоростта на въздушни поток за почистване на пукнатини и краища, както и за издухване на тежки материали, като мокри листа.

2. Завъртете външната тръба по показания начин, за да освободите палеца от прореза. (Фиг. 39)
3. Местете външната тръба по протежение на вътрешната тръба, за да промените позицията. (Фиг. 40)
4. Завъртете външната тръба по показания начин, докато палецът се захване напълно в края на

правилното местоположение на прореза. (Фиг. 41)

Работна позиция

- Компресорно оборудване (Фиг. 42)
- Вакуум (Фиг. 43)

Работа със смукалката

Преди работа със смукалката, сложете необходимите предпазни средства.



ПРЕДУПРЕЖДЕНИЕ: Преди употреба се уверете, че торбичката за събиране не е повредена и че ципът е затворен. Не използвайте торбички, която е повредена. Така ще се предпазите от нараняване при изхвърчане на лявата ръка при работа с продукта е по-рисковано. Избягвайте контакт на талото със зоната на изпускателния отвор.



ПРЕДУПРЕЖДЕНИЕ: Не включвайте компресорното оборудване при отворен или повреден входен капак (освен ако е монтирана вакуумната тръба).

- Когато работите с компресорното оборудване, торбичката за събиране трябва да се държи за ремъка за рамо. Ремъкът трябва да се постави върху горната част на рамото.
- Включете компресорното оборудване. Спазвайте инструкциите в раздела относно включването и изключването *За стартиране и спиране на страница 22*. Прочетете инструкциите за безопасност *БЕЗОПАСНОСТ на страница 17*.

Изпразване на торбичката за събиране



ПРЕДУПРЕЖДЕНИЕ: Винаги проверявайте торбичката за събиране. Преди всяка употреба се уверете, че торбичката не е повредена и че ципът е затворен. Не използвайте повредени торбички. При изхвърчане на отпадъци има опасност от нараняване. Бъдете внимателни, ако работите с лявата ръка. Не докосвайте зоната на изпускателния отвор.

1. Спрете продукта.
2. Отворете страничния цип.
3. Изпразнете торбичката за събиране.
4. Затворете ципа.

ТЕХНИЧЕСКО ОБСЛУЖВАНЕ



ПРЕДУПРЕЖДЕНИЕ: Прочетете и разберете раздела с инструкции за безопасност преди почистване, ремонтниране или техническо обслужване на продукта.

График за техническо обслужване

Уверете се, че спазвате графика за техническо обслужване. Интервалите са изчислени от ежедневната употреба на продукта. Интервалите са различни, ако не използвате продукта всеки ден. Извършвайте само дейностите по техническо обслужване, които са описани в тази инструкция за експлоатация. Говорете с одобрен сервизен център относно други дейности по техническо обслужване, които не намирате в тази инструкция за експлоатация.

Всекидневно техническо обслужване

- Почистете външните повърхности.
- Проверете дали управлението на оборотите и регулатора на газта работят нормално. Заменете повредените части.
- Проверете превключвателя за спиране. Сменете го, ако е необходимо.
- Проверете оборотите на празния ход.
- Почистете въздушния филтър. Сменете го, ако е необходимо.
- Уверете се, че входният капак може да се заключва в затворено положение. Уверете се, че роторът е чист.
- Затегнете всички гайки и винтове.
- Уверете се, че корпусите са здрави и без пукнатини.
- Уверете се, че торбичката за събиране не е повредена и че ципът работи нормално. Сменете торбичката, ако е необходимо.

Седмично техническо обслужване

- Проверете състоянието на стартерното устройство, въжето за стартиране и натягащата пружина. Заменете всички повредени части.
- Проверете състоянието на смукателния въздухпровод на стартерното устройство. Ако смукателният въздухпровод е запушен, премахнете отпадъците.
- Почистете отвън запалителната свещ. Свалете я и проверете разстоянието между електродите. Регулирайте разстоянието до 6 mm (0,024 in) или сменете запалителната свещ.
- Почистете лопатките на ротора.
- Почистете предпазната искрогасителна мрежа и при необходимост я сменете (не се отнася за ауспуха с катализатор).
- Почистете зоната на карбуратора.

- Почистете въздушния филтър.

Месечно техническо обслужване

- Проверете дръжката на въжето за стартиране и въжето за стартиране.
- Почистете резервоара за гориво.
- Почистете карбуратора и околната зона.
- Почистете лопатките на ротора.
- Проверете горивопроводите за пукнатини и други повреди. Ако е необходимо, го заменете
- Сменете горивния филтър в резервоара за гориво.
- Проверете всички кабели и връзки.
- Подменете запалителната свещ.
- Сменете въздушния филтър.

Ежегодна поддръжка

- Проверете запалителната свещ.
- Почистете външната повърхност на карбуратора и зоните около него.
- Почистете системата за охлаждане.
- Проверете искрогасителния екран.
- Проверете горивния филтър.
- Проверете маркуча за горивото за повреда.
- Проверете всички кабели и връзки.

Техническо обслужване на 50 часа

- Ремонтът или смяната на ауспуха трябва да се извършат от одобрен сервизен център.

Регулиране на оборотите на празния ход

Уверете се, че въздушният филтър е чист и капакът на въздушния филтър е закрепен, преди да регулирате оборотите на празния ход.

Регулирайте оборотите на празен ход с регулиращия винт за празния ход. (Фиг. 44)

Оборотите на празния ход са правилни, когато двигателят работи плавно във всяко положение.

1. За увеличаване на скоростта завъртете регулиращия винт по посока на часовниковата стрелка.
2. За намаляване на скоростта завъртете регулиращия винт обратно на часовниковата стрелка.

За да направите техническо обслужване на искрогасителния екран

Използвайте телена четка за почистване на искрогасителния екран.

За почистване на системата за охлаждане

Почистете частите на системата за охлаждане с четка.

За проверка на запалителната свещ



ВНИМАНИЕ: Използвайте винаги запалителните свещи от препоръчания вид. Използването на запалителна свещ от неправилен тип може да повреди продукта.

- Проверете запалителната свещ, ако двигателят е с понижена мощност, стартира трудно или работи неправомерно при обороти на празен ход.
- За да намалите опасността от попадане на нежелани материали върху електродите на запалителната свещ, следвайте тези инструкции:
 - a) Проверете дали оборотите на празния ход са правилно регулирани.
 - b) Уверете се, че горивната смес е правилна.
 - c) Уверете се, че въздушният филтър е чист.

- Ако запалителната свещ е замърсена, почистете я и се уверете дали разстоянието между електродите е правилно. Вижте **ТЕХНИЧЕСКИ ХАРАКТЕРИСТИКИ** на страница 25. (Фиг. 45)
- Сменете запалителната свещ, ако е необходимо.

За да извършвате техническо обслужване на въздушния филтър

Почистване на въздушния филтър

1. Свалете капака на въздушния филтър и самия въздушен филтър.
2. Почистете въздушния филтър с топла сапунена вода. Уверете се, че въздушният филтър е сух, преди да го монтирате.
3. Сменете въздушния филтър, ако е прекалено замърсен за пълно почистване. Винаги заменяйте повреден въздушен филтър.
4. Ако продуктът Ви разполага с пенест въздушен филтър, нанесете масло за въздушен филтър. Нанасяйте масло за въздушен филтър само върху пенест филтър. Не нанасяйте масло върху филцов филтър.

ТЕХНИЧЕСКИ ХАРАКТЕРИСТИКИ

	единица	GBV 322 (GHB28VPR)	GBV 322VX (GHB28VPR)
Спецификации на двигателя			
Обем на цилиндъра	cm ³	26	26
Разстояние между електродите	mm	0,6	0,6
Обем на резервоара за гориво	cm ³	500	500
Обороти на празен ход	min ⁻¹	2800 – 3200	2800 – 3200
Максимални обороти	min ⁻¹	8000	8000
Изходна мощност	kW	0,8	0,8
Запалителна свещ		Champion RCJ-6Y	Champion RCJ-6Y
Максимални обороти при режим "духане"	min ⁻¹	8600	8600
Максимални обороти при режим "вакуум"	min ⁻¹	--	7500
Период на продължителност на емисиите	h	50	50
Данни за шум и вибрации			
Еквивалентно ниво на вибрациите върху ръкохватките с монтирани продухвачи тръби и накрайник (оригинални) – вижте забележка 1	m/s ²	7,5	7,5

	единица	GBV 322 (GHB28VPR)	GBV 322VX (GHB28VPR)
Еквивалентно ниво на вибрациите върху ръкохватките, с монтирани вакуумни тръби (оригинални), ляво/дясно – вижте забележка 1	m/s ²	7,4	7,4
Еквивалентно ниво на звуковото налягане върху ухото на оператора, измерено съгласно ISO 22868 с монтирани продухващи тръби и накрайник (оригинални) – вижте забележка 3	dB(A)	95,6	95,6
Ниво на звуковата мощност, гарантирана (L _{WA}) – вижте забележка 2	dB(A)	112	112
Ниво на звуковата мощност, измерена – вижте забележка 2	dB(A)	109	109
Размери на продукта			
Тегло	kg	4.4	4,5
<p>Забележка 1: Отчетените данни за еквивалентното ниво на вибрациите имат типична статистическа дисперсия (стандартно отклонение) от 1,5 m/s².</p> <p>Забележка 2: Шумови емисии в околната среда, измерени като звукова мощност (L_{WA}) в съответствие с директива на ЕО 2000/14/ЕО. Отчетените нива на шума за машината са измерени с оригиналното оборудване, което дава най-високото ниво. Разликата между гарантираното и измереното ниво на шума е в това, че гарантираното ниво на шума включва също и дисперсията в резултатите от измерването, както и вариациите между различните машини от един и същи модел в съответствие с Директива 2000/14/ЕО.</p> <p>Забележка 3: Отчетените данни за еквивалентното ниво на звуковото налягане за машината имат типична статистическа дисперсия (стандартно отклонение) от 3 dB (A).</p>			

Вентилатор	единица	GBV 322	GBV 322VX
Тип		Радиален вентилатор	Радиален вентилатор
Максимална скорост на въздуха, стандартен накрайник	km/h	322	-
Максимална скорост на въздуха,™ продухваща тръба VX*	km/h	-	370
Обем на въздуха при режим "духане"	cfm	370	450
Дебит на въздуха при режим "вакуум"	cfm	490	490
Съотношение при мулчиране		10:1	16:1
* допълнителна принадлежност			

СЪДЪРЖАНИЕ НА ДЕКЛАРАЦИЯТА ЗА СЪОТВЕТСТВИЕ НА ЕС

Ние, Husqvarna AB, SE 561 82 Huskvarna, ШВЕЦИЯ, декларираме на своя собствена отговорност, че представеният продукт:

Описание	Бензиново компресорно оборудване/ компресорно оборудване с вакуум
Марка	McCulloch
Платформа/Вид/Модел	Платформа GHB28VPR, представляваща модели GBV 322, GBV 322VX
Партида	Сериен номер, датиращ от 2018 г. и след това

отговаря напълно на следните директиви и регламенти на ЕС:

Директива/регламент	Описание
2006/42/ЕО	"относно машините"
2014/30/ЕС	"относно електромагнитната съвместимост"
2000/14/ЕО	"относно шумовите емисии в околната среда"

Приложените хармонизирани стандарти и/или технически спецификации са следните: EN ISO 12100, EN 15503, CISPR 12, ISO 14982

В съответствие с Директива 2000/14/ЕО, приложение V, декларираните стойности на звука са посочени в раздела с технически характеристики на настоящето ръководство и в подписаната Декларация за съответствие на ЕО.

TÜV Rheinland N.A. извърши доброволен контрол от името на Husqvarna AB и изготви Сертификат за съответствие с Директива 2006/42/ЕО на Съвета относно машините.

Сертификатът, както е предвиден в подписаната Декларация за съответствие на ЕО, се прилага за всички места на производство и държави на произход, както е посочено на продукта.

Доставеното бензиново компресорно оборудване/ компресорно оборудване с вакуум съответства на образеца, подложен на контрол.

Sadržaj

UVOD.....	28	ODRŽAVANJE.....	35
SIGURNOST.....	29	TEHNIČKI PODACI.....	36
SASTAVLJANJE.....	32	SADRŽAJ DEKLARACIJE EC O USKLAĐENOSTI... 37	
RAD.....	32		

UVOD

Priručnik za rad

Inicijalni jezik priručnika za rad je engleski. Priručnici za rad na drugim jezicima su prijevodi s engleskog.

Pregled

(Sl. 1)

1. Remen za rame
2. Poluga gasa
3. Prekidač za ZAUSTAVLJANJE
4. Kontrola voženja
5. Kućište ventilatora
6. Poklopac rezervoara za gorivo
7. Filter zraka
8. Ručica za čok
9. Pumpica
10. Poklopac na ulazu
11. Ručica usisivača
12. Sjekač mulčera (GBV 322VX)
13. Propeler ventilatora
14. Donja cijev puhala (GBV 322)
15. VX™ cijev puhača (GBV 322VX)
16. Gornja cijev puhača
17. Zavrtanj
18. Auspuh
19. Žica za uzemljenje
20. Ručka konopa za paljenje
21. Uređaj za pokretanje
22. Ručka
23. Kombinirani alat
24. Cijev vreće za sakupljanje
25. Vreća za sakupljanje
26. Vakuumska cijev u dva dijela
27. Vijak
28. Priručnik za rad

Simboli na proizvodu

- (Sl. 2) Upozorenje
- (Sl. 3) Pročitajte ovaj priručnik
- (Sl. 4) Koristite odobrenu zaštitu za glavu

- (Sl. 5) Koristite odobrenu zaštitu za uši
- (Sl. 6) Koristite odobrenu zaštitu za oči (ANSI Z87.1 ili ekvivalentno)
- (Sl. 7) Koristite odobrene zaštitne čizme i rukavice
- (Sl. 8) Nosite odjeću dugih rukava i nogavica
- (Sl. 9) Nemojte nositi nakit kada rukujete proizvodom.
- (Sl. 10) Vrhom odvijača otpustite zasun.
- (Sl. 11) Nemojte usisavati kamenje, šljunak, metal, razbijeno staklo, gumeni malč ili drugi materijal kojim se može oštetiti rotor.
- (Sl. 12) Proizvod može uzrokovati izbacivanje predmeta, što može izazvati povrede očiju
- (Sl. 13) Nemojte prilaziti blizu propelera kada se okreću
- (Sl. 14) Full choke (Puni saug)
- (Sl. 15) Half choke (Polovina sauga)
- (Sl. 16) No choke (Bez sauga)
- (Sl. 17) Uvjerite se da dugu kosu stavite iznad ramena.
- (Sl. 18) Sigurna udaljenost
- (Sl. 19) Garantovani nivo jačine zvuka
- (Sl. 20) Proizvod je usklađen s važećim EC direktivama.
- (Sl. 21) Proizvod je u skladu s važećim EAC direktivama.
- (Sl. 22) Proizvod je u skladu s važećim direktivama Ukrajine.

Napomena: Drugi simboli/naljepnice na proizvodu odnose se na zahtjeve certifikacije za druga komercijalna područja.

EU V



UPOZORENJE: Neovlaštenim otvaranjem proizvoda poništava se EU odobrenje tipa ovog proizvoda.

Odgovornost za proizvod

Kao što je navedeno u zakonima o odgovornosti za proizvod, mi nismo odgovorni za oštećenja koja uzrokuje naš proizvod ako:

- je proizvod pogrešno popravljen.
- je proizvod popravljen koristeći dijelove koji nisu od proizvođača ili koji nisu odobreni od strane proizvođača.
- proizvod ima dodatnu opremu koju nije napravio proizvođač ili koju proizvođač ne odobrava.
- proizvod nije popravljen u nekom od odobrenih servisa ili od strane odobrenog tijela.

SIGURNOST

Definicija sigurnosti

Definicije u nastavku daju stepen ozbiljnosti za svaku signalnu riječ.



UPOZORENJE: Ozljede kod osoba.



OPREZ: Oštećenje na proizvodu.

Napomena: Ove informacije čine proizvod lakšim za korištenje.

Opća sigurnosna uputstva

- Koristite proizvod na pravilan način. Povreda ili smrt je moguć ishod nepravilnog korištenja. Proizvod koristite samo za poslove koji su navedeni u ovom priručniku. Nemojte koristiti proizvod za druge poslove.
- Poštujte uputstva iz ovog priručnika. Poštujte sigurnosne simbole i sigurnosna uputstva. Ako operater ne poštuje uputstva i simbole, povreda, oštećenje ili smrt su mogući ishodi.
- Nemojte bacati ovaj priručnik. Koristite uputstva da sastavite, rukujete i održavate svoj proizvod u dobrom stanju. Koristite uputstva da biste pravilno ugradili priključke i dodatke. Koristite samo odobrene priključke i dodatke.
- Nemojte koristiti oštećen proizvod. Poštujte raspored održavanja. Obavljajte samo one radove na održavanju za koje pronađete uputstva u ovom priručniku Sve druge radove na održavanju mora obavljati ovlašteni servisni centar
- Ovaj priručnik ne može uključivati sve situacije koje se mogu desiti kada koristite proizvod. Budite oprezni i koristite svoj zdrav razum. Nemojte rukovati

proizvodom ili obavljati radove na održavanju proizvoda ako niste upoznati sa stanjem. Za informacije se obratite stručnjaku za proizvod, svom trgovcu, servisnom zastupniku ili ovlaštenom servisnom centru.

- Isključite kabl svjećice prije nego što sastavite proizvod, odložite proizvod na skladište ili prije radova na održavanju.
- Nemojte koristiti proizvod ako je promijenjen od svoje inicijalne specifikacije. Nemojte mijenjati dio proizvoda bez odobrenja od proizvođača. Koristite samo dijelove koje je odobrio proizvođač. Povreda ili smrt je moguć ishod nepravilnog održavanja.
- Nemojte udisati pare iz motora. Dugotrajno udisanje ispušnih para motora opasno je po zdravlje.
- Nemojte pokretati proizvod u zatvorenom prostoru ili u blizini zapaljivih materijala. Izduvne pare su vruće i mogu sadržavati iskre koje mogu izazvati požar. Nedovoljan protok zraka može izazvati povredu ili smrt zbog nedostatka kisika ili ugljičnog monoksida.
- Kada koristite ovaj proizvod, motor stvara elektromagnetno polje. Elektromagnetno polje može izazvati oštećenje na medicinskim implantatima. Porazgovarajte s ljekarom i proizvođačem medicinskog implantata prije rada s proizvodom.
- Nemojte dopustiti da dijete rukuje proizvodom. Nemojte dopustiti osobi bez znanja o uputstvima da rukuje proizvodom.
- Uvjerite se da uvijek nadgledate osobu, sa smanjenim fizičkim kapacitetom ili mentalnim sposobnostima, koja koristi proizvod. Odgovorna osoba mora biti prisutna cijelo vrijeme.
- Zaključajte proizvod u području koje nije pristupačno djeci i neovlaštenim osobama.
- Proizvod može izbaciti predmete i izazvati povrede. Poštujte sigurnosna uputstva da biste smanjili opasnost od povrede ili smrti.
- Nemojte napuštati proizvod dok je motor uključen.
- Rukovalac proizvodom je odgovoran ako dođe do nezgode.

- Prije korištenja proizvoda, uvjerite se da dijelovi nisu oštećeni.
- Vodite računa da ste udaljeni najmanje 15 m (50 stopa) od drugih osoba ili životinja prije korištenja proizvoda. Vodite računa da osobe koja su u blizini budu upoznate da ćete koristiti proizvod.
- Pogledajte državne ili lokalne zakone. Oni mogu spriječiti ili smanjiti rad proizvoda u nekim uslovima.
- Nemojte koristiti proizvod kada ste umorni ili pod dejstvom alkohola, droga ili lijekova. Oni mogu uticati na vaš vid, opreznost, koordinaciju i rasuđivanje.
- Tokom transporta osigurajte proizvod.
- Proizvodom rukujte samo u preporučenom vremenu. Poštujte lokalne zakone. Uobičajene preporuke su od 9:00 do 17:00 sati od ponedjeljka do subote.
- Rukujte proizvodom uz najmanji mogući gas da obavite posao.
- Uvjerite se da ne možete pasti kada koristiti proizvod. Nemojte se naginjati kada rukujete proizvodom.
- Uvjerite se da je proizvod u dobrom stanju prije početka rada, naročito prigušivač, ulaz zraka i zračni filter.

Sigurnost od vibracija

Proizvod je samo za povremeni rad. Neprekidnim i redovnim korištenjem ovog proizvoda mogu nastati "bijeli prsti" ili slični zdravstveni problemi uzrokovani vibracijama. Ukoliko neprekidno ili redovno koristite ovaj proizvod pregledajte stanje šaka i prstiju. Ukoliko na šakama ili prstima primjetite bljedilo, osjetite bolove, trnce ili trnjenje, prestanite raditi i odmah se obratite ljekaru.

Sigurnosna uputstva za rad puhalo

- Koristite ovaj proizvod samo kao puhalo ili za uklanjanje lišća i drugih ostataka na tlu.
- Nemojte rukovati proizvodom kada ste umorni, bolesni ili ako ste konzumirali alkohol, droge ili lijekove.
- Nemojte dopustiti posmatračima ili životinjama da se približe manje od 15 m (50 stopa) od rukovaoca.
- Proizvod može izbaciti predmete pri velikoj brzini koji mogu odskočiti i udariti rukovaoca. To može uzrokovati povredu oka.
- Ne usmjeravajte mlaznicu puhalo prema osobama ili životinjama.
- Uvjerite se da dugu kosu stavite iznad ramena.
- Zaustavite motor prije sklapanja ili rasklapanja dodatne opreme ili komponenti.
- Nemojte rukovati proizvodom bez zaštite.
- Nemojte rukovati proizvodom ako se u radnom području nalaze osobe. Zaustavite proizvod ako osoba uđe u radno područje.
- Nemojte rukovati proizvodom u prostoru sa nezadovoljavajućim protokom zraka. Ako protok zraka nije dovoljan, to može izazvati povredu ili smrt zbog nedostatka kisika ili ugljičnog monoksida.
- Prigušivač je veoma vruć kada je proizvod uključen, nakon što se zaustavi i kada radi pri brzini u praznom hodu. Budite pažljivi u blizini zapaljivih materijala i zapaljivih para.
- Nemojte dodirivati područje ulaznog pokrova. Nakit i lepršavu odjeću držite dalje od ulaznog područja.
- Uvijek držite ispravan položaj nogu i rukujte proizvodom samo na sigurnim i ravnim površinama. Klizave ili nestabilne površine, kao što su ljestve, mogu izazvati gubitak ravnoteže ili kontrole.
- Nemojte rukovati proizvodom na visini, kao npr. na krovu.

- Koristite grablje ili metlu da olabavite ostatke na tlu prije rada s proizvodom.
- Ako je radno područje prijavio, napršćite ga crijevom.
- Koristite proizvod kao alternativu crijevu da biste uštedjeli vodu.
- Otpušite otpatke na siguran način. Pazite na djecu, životinje, otvorene prozore ili vozila.
- Ne usmjeravajte proizvod prema biljkama koje je lako oštetiti.
- Nemojte puhati zrak prema predmetima kao što su zidovi, veliko kamenje, vozila ili ograde.
- Ako posao obavljate u unutrašnjim uglovima, pušite od ugla i prema centru radnog područja. Ako ne, ostaci vas mogu udariti u lice i izazvati povredu oka.
- Koristiti cijeli produžetak mlaznice da održavate strujanje zraka blizu tla.
- Neophodno je da posmatrači nose zaštitu za oči.
- Ostatke odložite u kante za smeće nakon upotrebe proizvoda.

Sigurnosna uputstva za rad vakuuma

- Spriječite oštećenje na ventilatoru. Nemojte puhati velike, čvrste predmete kao što su drvo, konzerve, gumeni pokrivači ili dugi komadi trake.
- Nemojte dopustiti da vakuumska cijev dodirne tlo.
- Zaustavite motor i isključite poklopac svjeće prije uklanjanja blokade ili začepljenog materijala.

Lična zaštitna oprema

- Uvijek koristite pravilnu opremu za ličnu zaštitu kada rukujete proizvodom. Oprema za ličnu zaštitu ne eliminiše opasnost od povrede. Oprema za ličnu zaštitu smanjuje stepen povrede ako se nezgoda desi.
- Uvijek koristite odobrenu zaštitu za oči dok rukujete proizvodom.
- Nemojte rukovati proizvodom bosim stopalima ili u obući otvorenog tipa. Uvijek koristite robusne protuklizne čizme.
- Koristite jake, duge hlače.
- Ako je potrebno, koristite odobrene zaštitne rukavice.
- Koristite kacigu ako postoji mogućnost pada predmeta na glavu.

- Uvijek koristite odobrenu zaštitu za uši dok rukujete proizvodom. Buka tokom dužeg perioda može izazvati gubitak sluha uzrokovan bukom.
- Uvijek koristite odobrenu masku za prašinu kada rukujete proizvodom u prašnjavim okruženjima.
- Osigurajte da u blizini imate pribor prve pomoći.

Zaštitni uređaji na proizvodu.

- Uvjerite se da redovno obavljate održavanje proizvoda.
 - Životni vijek proizvoda se time povećava.
 - Opasnost od nezgoda se smanjuje.
- Dopustite ovlaštenom trgovcu ili ovlaštenom servisnom centru da redovno ispituju proizvod kako bi obavili prilagođavanja ili popravke.
- Nemojte koristiti proizvod koristeći oštećenu zaštitnu opremu. Ako je proizvod oštećen, obratite se ovlaštenom servisnom centru.

Prekidač za zaustavljanje

Pokrenite motor. Provjerite da li se motor zaustavlja kada prekidač za zaustavljanje pomjerite u položaj za zaustavljanje.

Auspuh



UPOZORENJE: Nemojte dodirivati prigušivač ako je vruć. Prigušivač je veoma vruć kada motor radi i nakon što se zaustavi. Ako dodirnete prigušivač, to može uzrokovati opekotine.

- Nemojte koristiti motor s oštećenim auspuhom. Oštećeni auspuh povećava nivo buke i opasnost od požara. Držite aparat za gašenje požara u blizini.
- Redovno provjeravajte je li auspuh pričvršćen za proizvod.
- Nemojte dodirivati motor ili auspuh kada je motor uključen. Nemojte dodirivati motor ili auspuh tokom nekog vremena nakon što se motor zaustavi. Vruće površine mogu izazvati povredu.
- Vrući auspuh može izazvati požar. Budite oprezni, ako koristite proizvod u blizini zapaljivih tečnosti ili para.
- Nemojte dodirivati dijelove na auspuhu, ako je auspuh oštećen. Dijelovi mogu sadržavati neke kancerogene hemikalije.
- Neki modeli puhača imaju zaslon odvodnika iskri. Očistite i zamijenite zaslon na određenim intervalima. Pogledajte odjeljak za održavanje (*ODRŽAVANJE na strani 35*).

Sigurnosne mjere pri rukovanju sa gorivom

- Nemojte pokretati proizvod ako u proizvodu ima goriva ili motornog ulja na proizvodu. Odstranite

- neželjeno gorivo/ulje i dopustite da se proizvod osuši. Odstranite neželjeno gorivo s proizvoda.
- Ako prolijete gorivo po odjeći, odmah presvucite odjeću.
- Nemojte dopustiti da gorivo dospije na tijelo, to može izazvati povredu. Ako gorivo dospije na odjeću, koristite sapun i vodu da odstranite gorivo.
- Nemojte pokretati motor ako prolijete ulje ili gorivo po proizvodu ili po svom tijelu.
- Nemojte pokretati proizvod ako se na motoru javlja curenje. Redovno provjeravajte motor na curenje.
- Budite oprezni s gorivom. Gorivo je zapaljivo i pare su eksplozivne i mogu izazvati povrede ili smrt.
- Nemojte udisati pare od goriva, to može izazvati povredu. Uvjerite se da ima dovoljno protoka zraka.
- Nemojte pušiti u blizini goriva ili motora.
- Nemojte stavljati tople predmete u blizini goriva ili motora.
- Nemojte dodavati gorivo kada je motor uključen.
- Uvjerite se da je motor hladan prije nego dopunite gorivo.
- Prije dopunjavanja gorivom, otvorite poklopac rezervoara za gorivo i pažljivo oslobodite pritisak.
- Nemojte dodavati gorivo u motor u zatvorenom prostoru. Nedovoljni protok zraka može izazvati povredu ili smrt zbog nedostatka kisika ili ugljičnog monoksida.
- Pažljivo pričvrstite poklopac spremnika za gorivo ili bi moglo doći do požara.
- Pomjerite proizvod minimalno 3 m (10 stopa) od položaja gdje ste punili spremnik za gorivo prije pokretanja proizvoda.
- Nemojte stavljati previše goriva u spremnik za gorivo.
- Uvjerite se da ne može doći do curenja kada pomjerite proizvod ili spremnika za gorivo.
- Nemojte stavljati proizvod ili spremnik za gorivo gdje postoji otvoreni plamen, iskra ili plinski plamen. Uvjerite se da područje za skladištenje ne sadrži otvoreni plamen.
- Koristite samo odobrene spremnika kada pomjerate gorivo ili stavljate gorivo u skladište.
- Ispraznite spremnik za gorivo prije dugotrajnog skladištenja. Poštujte lokalni zakon o tome gdje odlagati gorivo.
- Očistite proizvod prije dugotrajnog skladištenja.
- Skinite kabl svjećice prije nego što stavite proizvod u skladište kako biste bili sigurni da se motor neće pokrenuti slučajno.

Sigurnosna uputstva za održavanje



UPOZORENJE: Neproprisan održavanje može izazvati ozbiljno oštećenje motora ili dovesti do ozbiljne povrede.

Vlasnik je odgovoran za obavljanje svih neophodnih radova na održavanju kao što je navedeno u priručniku

za korisnika. Isključite svječicu prije radova na održavanju. Nemojte isključivati svječicu prije nego što podesite karburator.

SASTAVLJANJE



UPOZORENJE: Pročitajte poglavlje za sigurnosna uputstva prije nego sastavite proizvod.

Postavljanje gornje cijev puhača

1. Proreze na gornjoj cijevi puhača (A) poravnajte sa zakačkom na izlaznom otvoru puhača (B). (Sl. 23)
2. Gornju cijev puhača pritisnite u potpunosti do izlaza puhača.
3. Okrećite gornju cijev puhača dok se otvor u cijevi ne poravna s navojima u navrtci na izlaznom otvoru puhača. (Sl. 24)
4. Postavite vijak (C). (Sl. 25)
5. Okrećite vijak pomoću odvijača u smjeru kretanja kazaljke na satu da pričvrstite cijev.

Postavljanje donje cijev puhača

1. Proreze na donjoj cijevi puhača poravnajte sa jezičcima na gornjoj cijevi puhača (B). (Sl. 26)
2. Donju cijev puhača gurnite u potpunosti u gornju cijev puhača.
3. Okrećite donju cijev u potpunosti dok se zakačka ne aktivira na kraju proreza. (Sl. 27)

Postavljanje VX™ cijevi puhača

1. Poravnajte proreze na VX™ cijevi puhača (A) sa zakačkama na gornjoj cijevi puhača (B). (Sl. 28)
2. Gurnite VX™ cijev puhača u potpunosti u gornju cijev puhača.
3. Okrećite VX™ cijev puhača u potpunosti dok se zakačka ne aktivira na kraju proreza. (Sl. 29)

Postavljanje gornje usisne cijevi

1. Vrh odvijača umetnite u dio sa zasunom na ulaznom otvoru usisivača. (Sl. 30)
2. Lagano nagnite ručicu odvijača prema prednjem dijelu proizvoda da otpustite zasun.

3. Nemojte vraćati ulazni poklopac usisivača dok se gornja usisna cijev ne ubaci na svoje mjesto. (Sl. 31)
4. Rešetke na unutrašnjoj strani ulaznog otvora usisivača poravnajte sa prorezima na gornjoj usisnoj cijevi.

Napomena: Poravnajte indikatore na ulaznom otvoru usisivača poravnajte i na gornjoj usisnoj cijevi.

5. Gornju usisnu cijev u potpunosti gurnite u ulazni otvor usisivača.
6. Okrećite gornju cijev usisivača u smjeru kretanja kazaljke na satu u potpunosti dok ne osjetite da se uklopila. (Sl. 32)

Postavljanje donje usisne cijevi

1. Poravnajte prorez na donjoj vakuumskoj cijevi sa zakačkom na gornjoj usisnoj cijevi.
2. Gurnite donju usisnu cijev u potpunosti u gornju usisnu cijev dok se zakačka ne aktivira na kraju proreza. (Sl. 33)
3. Postavljanje noževa.
4. Okrećite vijak pomoću odvijača u smjeru kretanja kazaljke na satu da pričvrstite cijev. (Sl. 34)

Postavljanje cijevi vreće za sakupljanje

1. Prorez na vreći za sakupljanje (A) poravnajte sa zakačkom na izlaznom otvoru puhača (B). (Sl. 35)
2. Cijev vreće za sakupljanje pritisnite u potpunosti do izlaza puhača.
3. Okrećite cijev vreće za sakupljanje dok se otvor u cijevi ne poravna s navojima u navrtci na izlaznom otvoru puhača. (Sl. 36)
4. Postavite vijak (C).
5. Okrećite vijak pomoću odvijača u smjeru kretanja kazaljke na satu da pričvrstite cijev. (Sl. 37)

RAD



UPOZORENJE: Pročitajte i proučite poglavlje za sigurnosna uputstva prije početka rada s proizvodom.

Gorivo

Korištenje goriva



OPREZ: Ovaj proizvod ima dvotaktni motor. Koristite mješavinu benzina i ulja za dvotaktni motor. Uvjerite se da koristite tačnu količinu ulja u smjesi. Netačan odnos

benzina i ulja može izazvati oštećenje na motoru.

Benzin



OPREZ: Nemojte koristiti benzin s brojem oktana koji je manji od 90 RON (87 AKI). To može izazvati oštećenje na proizvodu.



OPREZ: Nemojte koristiti benzin s više od 10% koncentracije etanola (E10). To može izazvati oštećenje na proizvodu.

- Uvijek koristite novi bezolovni benzin s minimalnim brojem oktana od 90 RON (87 AKI) i s manje od 10% koncentracije etanola (E10).
- Koristite benzin s većim brojem oktana ako često koristite proizvod pri kontinuirano visokoj brzini.

Ulje za dvotaktni motor

- Koristite samo ulje za dvotaktne motore visokog kvaliteta. Koristite samo zrakom hladeno motorno ulje.
- Nemojte koristiti druge tipove ulja.
- Omjer smjese 50:1 (2%)

Benzin	Ulje
1 SAD galon	77 ml (2,6 unci)
1 UK galon	95 ml (3,2 unce)
5 l	100 ml (3,4 unce)

Za pravljenje mješavine goriva

Napomena: Uvijek koristite čist spremnik za gorivo kada pravite mješavinu goriva.

Napomena: Nemojte praviti količinu mješavine goriva za više od 30 dana.

1. Dodajte polovinu količine benzina.
2. Dodajte punu količinu ulja.
3. Protresite mješavinu goriva kako biste izmiješali sadržaj.
4. Dodajte preostalu količinu benzina.
5. Protresite mješavinu goriva kako biste izmiješali sadržaj.
6. Napunite spremnik za gorivo.

Da biste dodali gorivo

- Uvijek koristite spremnik goriva s ventilom protiv proljevanja.
- Ako je u spremniku ostalo nešto goriva, uklonite neželjeno gorivo i ostavite da se spremnik osuši.

- Uvjerite se da je područje koje se nalazi u blizini spremnika za gorivo čisto.
- Protresite spremnik za gorivo prije nego što dodate mješavinu goriva u spremnik za gorivo.

Pokretanje i zaustavljanje

Prije nego što pokrenete motor

- Provjerite proizvod po pitanju nedostajućih, oštećenih, labavih ili pohabanih dijelova.
- Provjerite vreću za sakupljanje. Uvjerite se da vreća za sakupljanje nije oštećena i da je zatvarač zatvoren.
- Provjerite podloške, vijke i navrtke.
- Provjerite filter za zrak.
- Provjerite okidač gasa radi ispravnog rada.
- Provjerite prekidač za zaustavljanje radi ispravnog rada.
- Pregledajte ima li curenja goriva na proizvodu.

Pokretanje hladnog motora



UPOZORENJE: Nemojte namotavati konop za paljenje oko svoje ruke.



OPREZ: Nemojte držati proizvod svojim stopalima.



OPREZ: Nemojte povlačiti konop za paljenje pokretanje do krajnjeg položaja. Ne puštajte ručku konopa za paljenje kada je konop izvučen. To može izazvati oštećenje na proizvodu.

Napomena: Ako se motor zaustavi, pomjerite kontrolu prigušenja u zatvoren položaj i ponovite korake za pokretanje.

1. Napunite spremnik za gorivo čistom mješavinom goriva.
2. Koristite svoju lijevu ruku da držite tijelo mašine na tlu. Pazite da kraj puhača usmjerite suprotno od ljudi, životinja, stakla i krutih i tvrdih predmeta.
3. Lagano pritisnite pumpicu za istiskivanje zraka 10 puta.
4. Pomjerite polugu sauga na poziciju FULL CHOKE.
5. Pritisni i drži pritisnutu polugu gasa
6. Oštro povucite ručku konopa za paljenje motora dok motor ne pokuša sa radom, ali nikako više od 3 puta.

Napomena: Ako je temperatura manja od 4°C (40°F), nastavite vući ručku konopa za paljenje motora dok motor ne pouša sa radom.

7. Pomjerite polugu sauga na poziciju HALF CHOKE.

- Oštro povucite ručicu konopa za paljenje motora dok se motor ne pokrene.
- Pustite motor da radi 10 sekundi.
- Pomjerite polugu sauga u položaj NO CHOKE (BEZ SAUGA).

Da biste pokrenuli zagrijan motor.

- Lagano pritisnite pumpicu za istiskivanje zraka 10 puta.
- Pomjerite polugu sauga na poziciju HALF CHOKE.
- Oštro povucite ručicu konopa za paljenje motora dok se motor ne pokrene.
- Pomjerite polugu sauga u položaj NO CHOKE (BEZ SAUGA).

Za pokretanje mašine nakon zaustavljanja zbog pare

Zaustavljanje zbog pare događa ako gorivo u dovodugoriva ili karburatoru ispari zbog povećane topline.

Na proizvodu može se javiti zaključavanje nakon pare ako se ponovno ne uključi na temperaturi okoline višoj od 35°C (95°F) i ako je isključen na 15 do 45 minuta.

- Ponovo pritišćite pumpicu za pročišćenje zraka nekoliko puta tokom 10-15 sekundi.
- Pomjerite polugu sauga na poziciju HALF CHOKE.
- Oštro povucite ručicu konopa za paljenje motora dok se motor ne pokrene.
- Pustite da se mašina zagrijava do 3 minute u praznom hodu.
- Pomjerite polugu sauga u položaj NO CHOKE (BEZ SAUGA).

Da biste zaustavili motor

- Pritisni i opusti prekidač motora STOP. Prekidač se automatski vraća u položaj uključeno ON. Sačekajte 7 sekundi prije nego što ponovno pokrenete proizvod kako biste se uvjerali da je prekidač resetiran.

Podešavanje VS™ cijevi puhača

- Poravnajte ispravan prerez (A ili B) na vanjskoj VX™ cijevi puhača sa zakačkom (C) na unutrašnjoj cijevi. (Sl. 38)

Napomena: Zakačka se ne vidi kada se cijevi spoje. Morate osjetiti kada se zakačka uklopi dok pomjerate vanjsku cijev.

Napomena: Postavite zakačku u položaj "A" za veći otvor puhača. Veliki otvor puhača pomjera veće područje suhog lišća i drugog neželjenog materijala. Postavite zakačku u položaj "B" za manji otvor puhača. Manji otvor puhača stvara brži protok zraka

za čišćenje pukotina ili rubova te pomjeranje težeg materijala kao što je mokro lišće.

- Vanjsku cijev okrenite na način kako je prikazano da odvojite zakačku od proreza. (Sl. 39)
- Pomjerajte vanjsku cijev duž unutrašnje cijevi da promijenite položaj. (Sl. 40)
- Okrećite vanjsku cijev na način kako je prikazano dok se zakačka u potpunosti ne aktivira na kraju ispravnog proreza. (Sl. 41)

Radni položaj

- Puhač (Sl. 42)
- Usisivač (Sl. 43)

Za vakuum

Prije nego pođete s vakuumom, stavite potrebnu sigurnosnu opremu.



UPOZORENJE: Uvjerite se prije upotrebe da vreća za sakupljanje nije oštećena i da je zatvarač zatvoren. Nemojte koristiti vreću koja je oštećena. To sprječava povredu koju mogu izazvati leteći predmeti. Rad lijevom rukom povećava rizik. Nemojte dopustiti da vaše tijelo dodiruje vanjsko ispušno područje.



UPOZORENJE: Nemojte pokrenuti puhač ako je poklopac na ulazu otvoren ili oštećen (osim u slučaju da je postavljena vakuumska cijev).

- Tokom rada puhača vreća usisivača mora se držati za remen za rame. Remen se mora nositi na vrhu ramena.
- Pokrenite puhač. Poštujte uputstva u odjeljku za pokretanje i zaustavljanje *Pokretanje i zaustavljanje na strani 33*. Pročitajte sigurnosna uputstva *SIGURNOST na strani 29*.

Da biste ispraznili vreću za sakupljanje



UPOZORENJE: Uvijek provjerite vreću za sakupljanje. Uvjerite se prije upotrebe da nije oštećena i da je zatvarač zatvoren. Nemojte koristiti oštećenu vreću. Postoji opasnost od povrede uslijed letećih predmeta. Budite pažljivi ako primjenjujete rad lijevom rukom. Nemojte dodirivati izlazno ispušno područje.

- Zaustavite proizvod.
- Otvorite patentni zatvarač sa strane.
- Ispraznite vreću za sakupljanje.
- Zatvorite patentni zatvarač.

ODRŽAVANJE



UPOZORENJE: Pročitajte i proučite poglavlje za sigurnosna uputstva prije čišćenja, popravljivanja ili održavanja proizvoda.

Plan održavanja

Uvjerite se da se pridržavate rasporeda održavanja. Intervali se računaju prema dnevnoj upotrebi proizvoda. Intervali se razlikuju ako ne koristite proizvod svaki dan. Obavljajte samo one radove na održavanju koje pronađete u ovom priručniku. Obratite se ovlaštenom servisnom centru u vezi drugih radova na održavanju koje ne možete pronaći u ovom priručniku.

Svakodnevno održavanje

- Očistite vanjske površine.
- Provjerite kontrolu brzine i funkciju poluge gasa. Zamijeni oštećene dijelove
- Provjerite prekidač za zaustavljanje. Ako je potrebno, zamijenite ga.
- Provjerite brzinu u praznom hodu.
- Očistite zračni filter. Ako je potrebno, zamijenite ga.
- Uvjerite se da se poklopac na ulazu može zaključati u zatvorenom položaju. Uvjerite se da je propeler čist.
- Pričvrstite sve matice i vijke.
- Uvjerite se da na kućištu nema pukotina.
- Uvjerite se da vreća za sakupljanje nije oštećena i da zatvarač radi. Zamijenite vreću ako je potrebno.

Sedmično održavanje

- Provjerite stanje uređaja za pokretanje, konopa za paljenje i zatezne opruge. Zamijenite oštećene dijelove
- Provjerite stanje ulaza za zrak na uređaju za pokretanje. Uklonite krhotine ako je ulaz zraka začepljen.
- Očistite vanjsku stranu svjeće. Uklonite je i provjerite razmak elektroda. Podesite udaljenost na 6 mm (0,024 inča) ili zamijenite svjećicu.
- Očistite oštrice na propeleru.
- Očistite zaslon za odvod iskri i zamijenite ga po potrebi (ne na prigušivačima s katalitičkim konvertorom).
- Očistite područje karburatora.
- Očistite zračni filter

Mjesečno održavanje

- Provjerite ručku konopa za paljenje i konop za paljenje.
- Očistite spremnik za gorivo.
- Očistite karburator i područje oko njega.
- Očistite oštrice na propeleru.

- Provjerite dovode za gorivo radi pukotina ili drugih oštećenja. Zamijenite po potrebi.
- Promijenite filter goriva u spremniku za filter.
- Ispitajte sve kablove i spojeve.
- Zamijenite svjećicu.
- Promijenite filter za zrak.

Godišnje održavanje

- Provjerite svjećicu.
- Očistite vanjsku površinu karburatora i područja u njegovoj blizini.
- Očistite sistem za hlađenje.
- Provjerite zaslon odvodnika iskri.
- Provjerite filter za gorivo.
- Provjerite crijevo goriva radi oštećenja.
- Ispitajte sve kablove i spojeve.

50 sati održavanja

- Dopustite da ovlašteni servisni centar popravi ili zamijeni auspuh.

Da biste podesili brzinu u praznom hodu

Uvjerite se da je filter za zrak čist i da je poklopac filtera za zrak pričvršćen prije nego što podesite brzinu u praznom hodu.

Podesite broj obrtaja pomoću vijka za podešavanje praznog hoda.

(Sl. 44)

Brzina u praznom hodu je pravilno namještena kada motor glatko radi u svakom položaju.

1. Okrenite vijak za podešavanje brzine u praznom hodu u smjeru kazaljke na satu za veću brzinu.
2. Okrenite vijak za podešavanje brzine u praznom hodu u smjeru suprotnom od smjera kazaljke na satu za nižu brzinu.

Da biste obavili radove na održavanju na zaslonu odvodnika iskri

Koristite žičanu četku da očistite mrežicu odvodnika iskri.

Čišćenje sistema za hlađenje

Četkom očistite dijelove sistema za hlađenje.

Da biste provjerili svjećicu



OPREZ: Uvijek koristite preporučenu vrstu svjećica. Neispravan tip svjećice može izazvati oštećenje na proizvodu.

- Provjerite svječicu ako motor ima slabu energiju, ako nije lako pokrenuti ili ako ne radi ispravno na brzini pri praznom hodu.
- Da biste smanjili opasnost od neželjenih materijala na elektrodama svječice, poštujujte ova uputstva:
 - a) Uvjerite se da je brzina u praznom hodu ispravno podešena.
 - b) Uvjerite se da je mješavina goriva ispravna.
 - c) Uvjerite se da je filter za zrak čist.
- Ako je svječica zaprljana, očistite je i uvjerite se da je zazor elektroda ispravan. Pogledajte **TEHNIČKI PODACI na strani 36.** (Sl. 45)
- Zamijenite svječicu ako je potrebno.

Čišćenje zračnog filtera

1. Uklonite poklopac filtera za zrak i uklonite filter za zrak.
2. Očistite filter za zrak toplom sapunjavom vodom. Uvjerite se da je filter za zrak suh prije nego ga postavite.
3. Zamijenite filter zraka ako je previše prljav kako biste ga potpuno očistili. Uvijek zamijenite oštećeni filter za zrak.
4. Ako vaš proizvod ima pjenasti filter za zrak, nanosite ulje za filter za zrak. Nanesite samo ulje za filter za zrak na pjenasti filter. Nemojte nanositi ulje na felt filter.

Za održavanje filtera

TEHNIČKI PODACI

	jedinica	GBV 322 (GHB28VPR)	GBV 322VX (GHB28VPR)
Specifikacije motora			
Pomicanje cilindra	cm ³	26	26
Razmak između elektroda	mm	0,6	0,6
Zapremina spremnika za gorivo	cm ³	500	500
Brzina u praznom hodu	min ⁻¹	2800 - 3200	2800 - 3200
Brzina pri maksimalnoj snazi	min ⁻¹	8000	8000
Izlazna snaga	kW	0,8	0,8
Svječica		Champion RCJ-6Y	Champion RCJ-6Y
Način rada maksimalne brzine puhanja	min ⁻¹	8600	8600
Način rada maksimalne brzine usisivača	min ⁻¹	--	7500
Period trajanja emisije	h	50	50
Podaci o buci i vibracijama			
Nivo ekvivalentne vibracije na ručkama s cijevima puhača i mlaznicom (original) – pogledajte napomenu 1	m/s ²	7,5	7,5
Nivo ekvivalentne vibracije na ručkama s vakuumskim cijevima (original), lijeva/desna - pogledajte napomenu 1	m/s ²	7,4	7,4
Nivo pritiska ekvivalentnog zvuka na uhu operatora izmjeren u skladu s ISO 22868 opremljen cijevima puhača i mlaznicom (original) – pogledajte napomenu 3	dB(A)	95,6	95,6
Nivo jačine zvuka, garantovano (L _{WA}) - vidi napomenu 2	dB(A)	112	112
Nivo jačine zvuka, izmjereno - vidi napomenu 2	dB(A)	109	109
Dimenzije proizvoda			
Težina	kg	4,4	4,5

	jedinica	GBV 322 (GHB28VPR)	GBV 322VX (GHB28VPR)
Napomena 1: Prijavljeni podaci ekvivalentnih nivoa vibracije posjeduju tipičnu statičku disperziju (standardno odstupanje) od 1,5 m/s ² .			
Napomena 2: Emisije buke u okruženju mjerene kao jačina zvuka (L _{WA}) u skladu s Direktivom EC 2000/14/EC. Prijavljeni nivo jačine zvuka za mašinu izmjeren je s originalnim dodatkom koji daje najviši nivo. Razlika između garantirane i izmjerene jačine zvuka je u tome da garantirana jačina zvuka obuhvata i disperziju rezultata mjerenja i varijacije između različitih mašina istog modela u skladu s Direktivom 2000/14/EC.			
Napomena 3: Prijavljeni podaci za ekvivalentni nivo pritiska zvuka za mašinu imaju tipičnu statističku disperziju (standardno odstupanje) od 3 dB (A).			

Ventilator	jedinica	GBV 322	GBV 322VX
Tip		Radijalni ventilator	Radijalni ventilator
Maksimalna brzina zraka, standardna mlaznica	km/h	322	-
Maksimalna brzina zraka, VX™ cijev puhača*	km/h	-	370
Način rada zapremine puhanja zraka	cfm	370	450
Način rada zapremine vakuuma zraka	cfm	490	490
Omjer malčiranja		10:1	16:1
*opcionalni pribor			

SADRŽAJ DEKLARACIJE EC O USKLAĐENOSTI

Mi, Husqvarna AB, SE 561 82 Huskvarna, ŠVEDSKA, izjavljujemo pod punom odgovornošću da predstavljeni proizvod:

Opis	Benzinski puhač / Puhač - usisivač
Brend	McCulloch
Platforma / tip / model	Platforma GHB28VPR, predstavlja model GBV 322, GBV 322VX
Serijski broj	Serijski broj s datumom od 2018 i nadalje

u potpunosti su u skladu sa sljedećim EU direktivama i propisima:

Direktiva/propis	Opis
2006/42/EC	"o mašinama"
2014/30/EU	"o elektromagnetnoj kompatibilnosti"

Direktiva/propis	Opis
2000/14/EC	"o spolnoj buci"

Harmonizirani standardi i/ili tehničke specifikacije koje su primjenjene su kako slijedi: EN ISO 12100, EN 15503, CISPR 12, ISO 14982

U skladu s direktivom 2000/14/EC, Aneks V, deklarirane vrijednosti zvuka su navedene u odjeljku za tehničke podatke ovog priručnika i u potpisanoj Deklaraciji EC o usklađenosti.

Organizacija TÜV Rheinland N.A. je izvršila dobrovoljno ispitivanje u ime kompanije Husqvarna AB i dodijelila certifikat o usklađenosti s Direktivom vijeća EC 2006/42/EC za mašinsku opremu.

Certifikat, kao što je navedeno u potpisanoj Deklaraciji EC o usklađenosti, primjenjuje se na svim lokacijama proizvođača i u zemljama porijekla, kao što je navedeno na proizvodu.

Isporučeni benzinski puhač/Puhač-usisivač u skladu je s primjerkom koji je podvrgnut pregledu.

Obsah

ÚVOD.....	38	ÚDRŽBA.....	44
BEZPEČNOST.....	39	TECHNICKÉ ÚDAJE.....	46
SESTAVENÍ.....	42	OBSAH PROHLÁŠENÍ O SHODĚ EU.....	47
PROVOZ.....	42		

ÚVOD

Návod k používání

Návod k obsluze byl původně napsán v angličtině.
Návody k obsluze v ostatních jazycích jsou překlady z angličtiny.

Přehled

(Obr. 1)

1. Ramenní popruh
2. Páčka plynu
3. STOP spínač (vypínač zapalování)
4. Regulator rychlosti
5. Kryt ventilátoru
6. Víčko palivové nádrže
7. Vzduchový filtr
8. Ovládání sytiče
9. Palivová pumpička
10. Kryt nasávání
11. Držadlo pro sání
12. Mulčovací lišta (GBV 322VX)
13. Oběžné kolo ventilátoru
14. Spodní trubka foukače (GBV 322)
15. Trubka™ foukače VX (GBV 322VX)
16. Horní trubka foukače
17. Šroub
18. Tlumič výfuku
19. Uzemňovací vodič
20. Rukojeť startéru
21. Startér
22. Rukojeť
23. Kombinovaný nástroj
24. Trubka sběrného vaku
25. Sběrný vak
26. Dvě části trubky vysavače
27. Šroub
28. Návod k používání

Symboly na výrobku

(Obr. 2) Varování

(Obr. 3) Přečtěte si tento návod

(Obr. 4) Vždy používejte schválenou ochranu hlavy.

(Obr. 5) Vždy používejte schválenou ochranu sluchu.

(Obr. 6) Používejte schválenou ochranu očí (dle normy ANSI Z87.1 nebo ekvivalentní).

(Obr. 7) Používejte schválenou ochrannou obuv a rukavice.

(Obr. 8) Používejte dlouhé rukávy a kalhoty.

(Obr. 9) Při provozování výrobku nenoste šperky.

(Obr. 10) Západku uvolněte špičkou šroubováku.

(Obr. 11) Nevysávejte kameny, šterk, kov, skleněné střepy, gumovou drť či jiný materiál, který by mohl poškodit ventilátor.

(Obr. 12) Produkt může způsobit vymrštění předmětů a následné poranění očí.

(Obr. 13) Nepřibližujte se k ventilátoru, když se otáčí.

(Obr. 14) Plně otevřený sytič

(Obr. 15) Zpola otevřený sytič

(Obr. 16) Bez sytiče

(Obr. 17) Dlouhé vlasy si vyčesťte nahoru nad ramena.

(Obr. 18) Bezpečná vzdálenost

(Obr. 19) Garantovaná hladina akustického výkonu

(Obr. 20) Výrobek odpovídá příslušným směrním ES.

(Obr. 21) Výrobek odpovídá příslušným směrním EAC.

(Obr. 22) Výrobek odpovídá příslušným směrním platným na Ukrajině.

Povšimněte si: Další symboly/štítky na produktu se týkají certifikačních požadavků pro další komerční oblasti.

EU V



VÝSTRAHA: Manipulace s motorem vede k zneplatnění typového schválení EU tohoto výrobku.

- byl produkt nesprávně opraven,
- byl produkt opraven pomocí součástí od jiného výrobce nebo součástí, které nejsou výrobcem schváleny,
- má produkt příslušenství od jiného výrobce nebo příslušenství, které není výrobcem schváleno,
- produkt nebyl opraven ve schváleném servisním středisku nebo schváleným odborníkem.

Odpovědnost za výrobek

Jak uvádí zákon o odpovědnosti za výrobek, neneseme odpovědnost za žádnou škodu způsobenou našim výrobkem, pokud:

BEZPEČNOST

Definice týkající se bezpečnosti

Níže uvedené definice uvádí úroveň vážnosti jednotlivých signálních slov.



VÝSTRAHA: Zranění osob.



VAROVÁNÍ: Poškození výrobku.

Povšimněte si: Díky těmto informacím je používání výrobku snazší.

Obecné bezpečnostní pokyny

- Používejte výrobek správně. Nesprávné používání může mít za následek zranění nebo smrt. Výrobek používejte pouze k činnostem uvedeným v tomto návodu. K jiným činnostem výrobek nepoužívejte.
- Řiďte se pokyny v návodu. Řiďte se bezpečnostními symboly a pokyny. Pokud se obsluha nebude řídit pokyny a symboly, může dojít ke zranění, poškození nebo smrti.
- Tento návod nevyhazujte. Použijte pokyny k sestavení, k používání a udržování výrobku v dobrém stavu. Použijte pokyny k správné montáži nástavců a příslušenství. Používejte pouze schválené nástavce a příslušenství.
- Nepoužívejte poškozený výrobek. Dodržujte plán údržby. Provádějte pouze údržbu, ke které najdete pokyny v tomto návodu. Veškerou údržbu musí provádět schválené servisní středisko.
- Tento návod nemůže obsahovat všechny situace, ke kterým při používání výrobku dochází. Buďte opatrní a používejte zdravý rozum. Výrobek nepoužívejte a neprovádějte údržbu, když si nejste jistí danou situací. Poradte se s odborníkem, prodejcem, servisním pracovníkem nebo schváleným servisním střediskem.
- Před montáží, uskladněním nebo údržbou výrobku odpojte kabel zapalovací svíčky.
- Pokud se změní původní specifikace výrobku, nepoužívejte ho. Bez schválení výrobcem nemějte žádné součásti výrobku. Používejte výhradně díly schválené výrobcem. Nesprávná údržba může mít za následek zranění nebo smrt.
- Nevdechujte výpary motoru. Dlouhodobé vdechování výfukových plynů z motoru představuje zdravotní riziko.
- Nestartujte výrobek uvnitř budovy ani v blízkosti hořlavých materiálů. Výfukové plyny jsou horké a mohou obsahovat jiskry, které by mohly zažehnout požár. Nedostatečné proudění vzduchu může způsobit zranění nebo smrt udušením nebo otravou kyslíčником uhelnatým.
- Při používání výrobku vytváří motor elektromagnetické pole. Elektromagnetické pole může poškodit implantované lékařské přístroje. Před použitím výrobku se poraďte s lékařem a výrobcem implantovaných lékařských přístrojů.
- Zamezte používání výrobku dětmi. Zamezte používání výrobku osobami, které neznají pokyny.
- Vždy sledujte osoby s fyzickým nebo mentálním postižením při práci s výrobkem. Vždy musí být přítomna zodpovědná dospělá osoba.
- Výrobek zamykejte na místě, kam nemají přístup děti a nežádoucí osoby.
- Produkt může způsobit vymrštění předmětů a následné poranění. Dodržujte bezpečnostní předpisy pro snížení rizika zranění a smrti.
- Neodcházejte od výrobku, když je spuštěný motor.
- Za případnou nehodu nese zodpovědnost obsluha výrobku.
- Před použitím se přesvědčte, že nejsou poškozeny součásti.
- Před použitím výrobku zajistěte, abyste byli ve vzdálenosti minimálně 15 m (50 stop) od ostatních

osob a zvířat. Zajistěte, aby osoby ve vaší blízkosti věděly, že budete výrobek používat.

- Podrobnosti naleznete v mezinárodních a místních zákonech. Za určitých podmínek mohou použití výrobku zakazovat nebo omezovat.
- Nepoužívejte výrobek, jste-li unavení nebo pod vlivem alkoholu, drog nebo léků. Tyto faktory mohou ovlivnit váš zrak, pozornost, koordinaci nebo úsudek.

Ochrana před vibracemi

Tento výrobek je určen pouze k příležitostnému provozu. Souvislý nebo pravidelný provoz tohoto výrobku může způsobit onemocnění rukou, tzv. bílé prsty, nebo podobné zdravotní problémy způsobené vibracemi. Pokud používáte výrobek souvisle nebo pravidelně, kontrolujte stav rukou a prstů. Pokud ruce nebo prsty zblednou, bolí, cítíte mravenčení nebo jsou znečitlivěné, ukončete práce a promluvte si co nejdříve s lékařem.

Bezpečnostní pokyny pro provoz foukače

- Používejte výrobek pouze k foukání nebo odstraňování listí a dalších nečistot na zemi.
- Nepoužívejte výrobek, jste-li unavení, nemocní nebo pod vlivem alkoholu, drog nebo léků.
- Osoby v okolí ani zvířata se nesmí vyskytovat blíže než 15 m (50 stop) od obsluhy.
- Výrobek může vysokou rychlostí vymrštít předměty, které se mohou odrazit a zasáhnout obsluhu. Může dojít k poranění očí.
- Trysku foukače nesměřujte na osoby ani zvířata.
- Dlouhé vlasy si vyčeszte nahoru nad ramena.
- Před prováděním montáže nebo demontáže příslušenství nebo jiných součástí vypněte motor.
- Nepoužívejte výrobek bez krytu.
- Pokud se v pracovní oblasti vyskytují osoby, nepracujte. Když do pracovní oblasti vstoupí jiná osoba, výrobek vypněte.
- Neprovazujte výrobek v prostoru s nedostatečným prouděním vzduchu. Nedostatečné proudění vzduchu může způsobit zranění nebo smrt udušením nebo otravou oxidem uhelnatým.
- Tlumič výfuku je velmi horký, když je výrobek spuštěn, když pracuje na volnoběžné otáčce i po jeho vypnutí. Buďte opatrní v blízkosti hořlavých materiálů a hořlavých plynů.
- Nedotýkejte se prostoru krytu nasávání. Udržujte šperky a volný oděv v bezpečné vzdálenosti od prostoru nasávání.
- Vždy udržujte správný postoj a provozujte výrobek pouze na bezpečném a rovném povrchu. Kluzké nebo nestabilní povrchy, například žebříky, mohou způsobit ztrátu rovnováhy nebo kontroly.
- Nepoužívejte výrobek ve výškách, například na střeše.
- Zajistěte produkt během přepravy.

- Výrobek používejte pouze v doporučených hodinách. Dodržujte místní předpisy. Obvyklá doporučení jsou 9:00 až 17:00, od pondělí do soboty.
- Výrobek používejte s nejmenším možným nastavením plynu pro danou práci.
- Ujistěte se, že při používání výrobku nemůžete spadnout. Při používání výrobku se nenaklánějte.
- Před zahájením provozu zkontrolujte, zda je výrobek v dobrém stavu, především tlumič výfuku, přívod vzduchu a vzduchový filtr.
- Před použitím výrobku použijte k uvolnění nečistot ze země hrábě nebo koště.
- Pokud je pracovní oblast prašná, postříkejte ji hadicí.
- Používejte výrobek jako alternativu hadice a šetřete tak vodou.
- Nečistoty odfukujte opatrně. Dávejte pozor na děti, zvířata, otevřená okna a vozidla.
- Nemířte výrobkem na rostliny, které se snadno poškodí.
- Nefoukejte vzduch ve směru objektů, jako jsou stěny, velké kameny, vozidla a ploty.
- Při práci ve vnitřních rozích foukejte od rohu do středu pracovní oblasti. V opačném případě vás mohou odletující předměty udeřit do obličeje a způsobit poranění očí.
- Používejte celý nástavec trysky, aby byl proud vzduchu co nejbliže u země.
- Osoby v okolí musí používat ochranu očí.
- Po použití vyhodte nečistoty do nádob na odpad.

Bezpečnostní pokyny pro provoz vysavače

- Chraňte ventilátor před poškozením. Nevysávejte velké, pevné předměty, například dřevo, plechovky, gumovou drť nebo dlouhé provázky.
- Trubka vysavače nesmí narážet do země.
- Než začnete odstraňovat zablokovaný nebo uvízlý materiál, vypněte motor a odpojte koncovku kabelu zapalovací svíčky.

Osobní ochranné prostředky

- Při práci s výrobkem vždy používejte správné osobní ochranné prostředky. Osobní ochranné prostředky neodstraňují nebezpečí zranění. Osobní ochranné prostředky snižují úroveň zranění v případě nehody.
- Při práci s výrobkem vždy používejte schválenou ochranu očí.
- Nepracujte s výrobkem bosí nebo v otevřených botách. Vždy používejte odolnou obuv s protiskluzovou podrážkou.
- Používejte silné, dlouhé kalhoty.
- V případě nutnosti používejte schválené ochranné rukavice.
- Pokud hrozí nebezpečí pádu nějakého předmětu, použijte helmu.
- Při práci s výrobkem vždy používejte schválenou ochranu sluchu. Dlouhodobé působení hluku může způsobit ztrátu sluchu vyvolanou hlukem.

- Při práci v prašném prostředí vždy používejte schválenou protiprachovou masku.
- Přesvědčte se, že máte v dosahu k dispozici lékárníčku.

Ochranná zařízení na produktu

- Zajistěte pravidelnou údržbu výrobku.
 - Prodlouží se tím jeho životnost.
 - Sniží se nebezpečí nehody.

U schváleného prodejce nebo ve schváleném servisním středisku nechte výrobek pravidelně kontrolovat, seřídít nebo případně opravit.

- Nepoužívejte výrobek s poškozenými ochrannými prostředky. V případě poškození výrobku se obraťte na schválené servisní středisko.

Stop spínač (vypínač zapalování)

Nastartujte motor. Zkontrolujte, zda se motor zastaví při přesunutí vypínače zapalování do polohy zastavení.

Tlumič výfuku



VÝSTRAHA: Nedotýkejte se tlumiče výfuku, dokud nevychladne. Tlumič výfuku je velmi horký, když je motor spuštěný i po jeho vypnutí. Při kontaktu s tlumičem výfuku může dojít k popálení.

- Nepoužívejte motor s poškozeným tlumičem. Poškozený tlumič zvyšuje úroveň hluku a nebezpečí požáru. Vždy mějte poblíž hasicí přístroj.
- Pravidelně kontrolujte, zda je k výrobku namontován tlumič.
- Nedotýkejte se běžícího motoru ani tlumiče. Motoru ani tlumiče se nedotýkejte ani nějakou dobu po zastavení motoru. Horký povrch může způsobit zranění.
- Horký tlumič může způsobit požár. Buďte opatrní, pokud výrobek používáte v blízkosti hořlavých kapalin a plynů.
- Pokud je tlumič poškozen, nedotýkejte se jeho součástí. Součásti mohou obsahovat karcinogenní chemikálie.
- Některé modely foukačů mají sítko lapače jisker. Sítko čistíte a měníte v stanovených intervalech. Viz část Údržba (*ÚDRŽBA na strani 44*).

Bezpečnost při manipulaci s palivem

- Pokud je na výrobku palivo nebo olej, nespouštějte ho. Nechtěné palivo/olej z výrobku odstraňte a nechte výrobek uschnout. Nechtěné palivo z výrobku odstraňte.
- Pokud si palivem polijete oblečení, okamžitě se převlékněte.

- Zabraňte styku paliva s tělem, může způsobit zranění. Pokud se palivo na vaše tělo dostane, omyjte se vodou a mýdlem.
- Pokud polijete výrobek nebo sebe olejem nebo palivem, nespouštějte motor výrobku.
- Nepouštějte motor, pokud z něj něco uniká. Pravidelně kontrolujte, jestli z motoru nic neuniká.
- Při manipulaci s palivem buďte opatrní. Palivo je hořlavé a výpary jsou výbušné a mohou způsobit zranění nebo smrt.
- Nevdechujte palivové výpary, mohou způsobit zranění. Zajistěte dostatečný průtok vzduchu.
- V blízkosti paliva ani motoru nekuřte.
- Do blízkosti paliva ani motoru neumísťujte horké předměty.
- Když je spuštěný motor, nedoplňujte palivo.
- Než začnete doplňovat palivo, přesvědčte se, že je motor studený.
- Než doplníte palivo, pomalu otevřete uzávěr palivové nádrže a opatrně uvolněte tlak.
- Palivo do motoru nedoplňujte ve vnitřních prostorech. Nedostatečné proudění vzduchu může způsobit zranění nebo smrt udušením nebo otravou kyslíčnickem uhelnatým.
- Uzávěr palivové nádrže pečlivě dotáhněte, aby nedošlo k požáru.
- Než výrobek spustíte, přejděte s ním minimálně 3 m (10 stop) od místa, kde jste doplňovali palivo.
- Palivovou nádrž nepřepíňte.
- Přesvědčte se, že při pohybu výrobku nebo nádoby na palivo nemůže dojít k úniku.
- Výrobek ani nádobu na palivo neumísťujte do míst s otevřeným ohněm, jiskrami nebo zapalovacím plamínkem. Přesvědčte se, že v oblasti uložení nevyskytuje otevřený plamen.
- Pro přenášení a skladování paliva používejte pouze schválené nádoby.
- Před dlouhodobým uskladněním vyprázdněte palivovou nádrž. Dodržujte místní zákony ohledně likvidace paliva.
- Před dlouhodobým uskladněním výrobek vyčistěte.
- Než výrobek uskladníte, odstraňte kabel zapalovací svíčky, aby motor nahodile nenastartoval.

Bezpečnostní pokyny pro údržbu



VÝSTRAHA: Nesprávná údržba může mít za následek vážné poškození motoru nebo vážné zranění.

Vlastník je odpovědný za provádění veškeré nezbytné údržby tak, jak je stanovena v návodu k používání. Před prováděním údržby odpojte zapalovací svíčku. Neodpojujte zapalovací svíčku, dokud neprovedete seřízení karburátoru.

SESTAVENÍ



VÝSTRAHA: Než výrobek sestavíte, přečtěte si kapitolu o bezpečnosti.

Upevnění horní trubky foukače

1. Zarovnejte drážku na horní trubce foukače (A) s úchytkou na vývodu foukače (B). (Obr. 23)
2. Horní trubku foukače zcela nasuňte na vývod foukače.
3. Otočte horní trubkou foukače, abyste otvor v trubce zarovnali se závitem matice ve vývodu foukače. (Obr. 24)
4. Namontujte šroub (C). (Obr. 25)
5. Utáhněte šroub šroubovákem ve směru hodinových ručiček.

Upevnění spodní trubky foukače

1. Zarovnejte drážky na spodní trubce foukače (A) s úchytkami na horní trubce foukače (B). (Obr. 26)
2. Spodní trubku foukače zcela nasuňte na horní trubku foukače.
3. Zcela otočte spodní trubku foukače, aby úchytky zapadla do konce drážky. (Obr. 27)

Upevnění[™] trubky foukače VX[™]

1. Zarovnejte drážky na[™] trubce foukače VX[™] (A) s úchytkami na horní trubce foukače (B). (Obr. 28)
2. Trubku foukače VX[™] zcela nasuňte na horní trubku foukače.
3. Zcela otočte trubku foukače VX[™], aby úchytky zapadla do konce drážky. (Obr. 29)

Upevnění horní trubky vysavače

1. Zasuňte špičku šroubováku do místa západky sacího otvoru. (Obr. 30)

2. Rukojeť šroubováku jemně nakloňte k přední části produktu, abyste uvolnili západku.
3. Než nainstalujete horní trubku vysavače, nechte kryt sacího otvoru otevřený. (Obr. 31)
4. Zarovnejte žebro na vnitřní straně sacího otvoru s drážkami na horní trubce vysavače.

Povšimněte si: Zarovnejte značky na sacím otvoru a na horní trubce vysavače.

5. Horní trubku vysavače zcela zatlačte do sacího otvoru.
6. Zcela otočte horní trubku vysavače ve směru hodinových ručiček, abyste utčili zacvaknutí. (Obr. 32)

Upevnění spodní trubky vysavače

1. Zarovnejte drážku na spodní trubce vysavače s úchytkou na horní trubce vysavače.
2. Spodní trubku vysavače zcela nasuňte na horní trubku vysavače, aby úchytky zapadla do konce drážky. (Obr. 33)
3. Namontujte šroub.
4. Utáhněte šroub šroubovákem ve směru hodinových ručiček. (Obr. 34)

Upevnění trubky sběrného vaku

1. Zarovnejte drážku na trubce sběrného vaku (A) s úchytkou na vývodu foukače (B). (Obr. 35)
2. Trubku sběrného vaku zcela nasuňte na vývod foukače.
3. Otočte trubkou sběrného vaku, abyste otvor v trubce zarovnali se závitem matice ve vývodu foukače. (Obr. 36)
4. Namontujte šroub (C).
5. Utáhněte šroub šroubovákem ve směru hodinových ručiček. (Obr. 37)

PROVOZ



VÝSTRAHA: Než začnete s výrobkem pracovat, přečtěte si důkladně kapitolu o bezpečnosti.

Palivo

Používání paliva



VAROVÁNÍ: Tento výrobek má dvoutaktní motor. Používejte směs benzínu a motorového oleje. Zajistěte správné množství oleje ve směsi. Nesprávný poměr

benzínu a oleje může způsobit poškození motoru.

Benzín



VAROVÁNÍ: Nepoužívejte benzín s oktanovým číslem nižším než 90 RON (87 AKI). Můžete tím výrobek poškodit.



VAROVÁNÍ: Nepoužívejte benzín s koncentrací etanolu vyšší než 10 % (E10). Můžete tím výrobek poškodit.

- Vždy používejte bezolovnatý benzín oktanovým číslem minimálně 90 RON (87 AKI) s koncentrací etanolu nižší než 10 % (E10).
- Pokud výrobek používáte často s průběžně vyššími otáčkami motoru, používejte benzín s vyšším oktanovým číslem.

Olej pro dvoutaktní motory

- Používejte pouze vysoce kvalitní olej pro dvoutaktní motory. Používejte pouze olej pro vzduchem chlazené motory.
- Jiné druhy oleje nepoužívejte.
- Poměr směsi 50:1 (2 %)

Benzín	Olej
1 U.S. Gal.	77 ml (2,6 unce)
1 UK Gal.	95 ml (3,2 unce)
5 l	100 ml (3,4 oz)

Výroba palivové směsi

Povšimněte si: Při míchání paliva vždy používejte čistou nádobu na palivo.

Povšimněte si: Nevyrábějte víc palivové směsi, než kolik potřebujete na 30 dní.

1. Přidejte polovinu množství benzínu.
2. Přidejte celé množství oleje.
3. Protřepáním směs promíchejte.
4. Přidejte zbyvajcí benzín.
5. Protřepáním směs promíchejte.
6. Naplňte palivovou nádrž.

Přidání paliva

- Používejte nádoby na palivo s plnicím hrdlem s ochrannou proti přeplnění.
- Pokud je nějaké palivo na nádobě, odstraňte ho a nechte nádobu uschnout.
- Okolí uzávěru palivové nádrže musí být čisté.
- Než nalijete palivovou směs do palivové nádrže, protřepejte nádobu s palivem.

Zapnutí a vypnutí

Před spuštěním motoru

- Zkontrolujte, jestli na výrobku nechybí součásti, nejsou povolené nebo opotřebené.
- Zkontrolujte sběrný vak. Zkontrolujte, zda není sběrný vak poškozený a zda je zip zavřený.
- Zkontrolujte matice, vruty a šrouby.
- Zkontrolujte vzduchový filtr.
- Zkontrolujte správnou funkci páčky plynu.
- Zkontrolujte správnou funkci vypínače zapalování.

- Zkontrolujte, zda z výrobku neuniká palivo.

Spouštění studeného motoru



VÝSTRAHA: Nikdy neomotávejte startovací šňůru kolem ruky.



VAROVÁNÍ: Výrobek nepřidržujte nohou.



VAROVÁNÍ: Nevytahujte startovací šňůru až do koncové polohy. Když je startovací šňůra zcela vytažená, nepouštějte rukojeť. Můžete tím výrobek poškodit.

Povšimněte si: Pokud se motor zastaví, posuňte ovládání sytiče do uzavřené polohy a proveďte znovu postup startování.

1. Doplněte do palivové nádrže čistou palivovou směs.
2. Levou rukou přidrte tělo stroje na zemi. Přesvědčte se, že konec foukače směřuje pryč od lidí, zvířat, skla a pevných předmětů.
3. Pomalu stlačte pomocnou palivovou pumpičku desetkrát za sebou.
4. Přesuňte páčku sytiče do polohy PLNĚ OTEVŘENÝ SYTIČ.
5. Stiskněte a podržte spoušť plynu
6. Rychle zatáhněte za rukojeť startovací šňůry, než se motor pokusí naskočit, ale maximálně 3x za sebou.

Povšimněte si: Pokud je teplota nižší než 4 °C (40 °F), tahejte za rukojeť startovací šňůry, než se motor pokusí naskočit.

7. Přesuňte páčku sytiče do polohy ZPOLA OTEVŘENÝ SYTIČ.
8. Prudce zatáhněte za startovací lanko, až motor naskočí.
9. Nechte motor běžet 10 sekund.
10. Přesuňte páčku sytiče do polohy BEZ SYTIČE.

Spouštění teplého motoru

1. Pomalu stlačte pomocnou palivovou pumpičku desetkrát za sebou.
2. Přesuňte páčku sytiče do polohy ZPOLA OTEVŘENÝ SYTIČ.
3. Prudce zatáhněte za startovací lanko, až motor naskočí.
4. Přesuňte páčku sytiče do polohy BEZ SYTIČE.

Spuštění motoru s ucpanými výparý

Výparý z paliva mohou ucpat palivové potrubí nebo karburátor, pokud se palivo začne vypařovat při vyšších teplotách.

K tomu může dojít, pokud výrobek nelze znovu nastartovat při okolní teplotě vyšší než 35 °C (95 °F) a byl vypnutý po dobu 15–45 minut.

1. Stiskněte opakovaně pomocnou palivovou pumpičku po dobu 10 až 15 sekund.
2. Přešuněte páčku sytiče do polohy ZPOLA OTEVŘENÝ SYTIČ.
3. Prudce zatáhněte za startovací lanko, až motor naskočí.
4. Nechte motor běžet na volnoběžné otáčky po dobu 3 minut.
5. Přešuněte páčku sytiče do polohy BEZ SYTIČE.

Vypnutí motoru

- Stiskněte a uvolněte spínač STOP motoru. Spínač se automaticky vrátí do polohy ON (zapnuto). Než znovu nastartujete výrobek, počkejte 7 sekund, aby bylo jisté, že se spínač resetuje.

Nastavení[™] trubky foukače VX[™]

1. Zarovnějte správnou drážku (A nebo B) na vnější trubce foukače VX[™] s úchytkou (C) na vnitřní trubce. (Obr. 38)

Povšimněte si: Když jsou trubky smontované, úchytku neuvolněte. Polohu úchytky učitěte při pohybu vnější trubky.

Povšimněte si: Pro velký foukací otvor zasuňte úchytku do polohy „A“. Velký foukací otvor slouží k odfoukávání suchého listí a jiného nežádoucího materiálu z širších oblastí. Pro malý foukací otvor zasuňte úchytku do polohy „B“. Malý foukací otvor zrychljuje průtok vzduchu pro čištění prasklin a okrajů a pro přesun těžkých materiálů, jako je mokré listí.

2. Pro vysunutí úchytky z drážky otočte vnější trubkou dle obrázku. (Obr. 39)
3. Polohu změňte posunutím vnější trubky po vnitřní trubce. (Obr. 40)
4. Zcela vnější trubkou otočte dle obrázku, aby úchytky zapadla do správné drážky. (Obr. 41)

Pracovní poloha

- Foukač (Obr. 42)
- Vysavač (Obr. 43)

Vysávání

Než začnete vysávat, oblečte si nezbytnou bezpečnostní výbavu.



VÝSTRAHA: Před použitím zkontrolujte, zda není sběrný vak poškozený a zda je zip zavřený. Nepoužívejte poškozený vak. To předchází zranění, které mohou způsobit odletující předměty. Levostanný provoz zvyšuje riziko. Nedotýkejte se tělem prostoru výfuku.



VÝSTRAHA: Nestartujte foukač, pokud je kryt nasávání otevřený nebo poškozený (kromě případů, kdy je instalována trubka vysavače).

- Během provozu foukače je třeba nést sběrný vak na ramenním popruhu. Popruh musí spočívat na rameni.
- Nastartujte foukač. Řiďte se pokyny v části věnované spouštění a vypínání *Zapnutí a vypnutí na straní 43*. Přečtěte si bezpečnostní pokyny *BEZPEČNOST na straní 39*.

Vyprázdnění sběrného vaku



VÝSTRAHA: Vždy zkontrolujte sběrný vak. Před použitím zkontrolujte, zda není poškozený a zda je zip zavřený. Nepoužívejte poškozený vak. Hrozí nebezpečí poranění odletujícími předměty. Dávejte pozor při levostanném provozu. Nedotýkejte se prostoru výfuku.

1. Zastavte produkt.
2. Otevřete zip na boku.
3. Vyprázdněte sběrný vak.
4. Zapněte zip.

ÚDRŽBA



VÝSTRAHA: Než začnete výrobek čistit, opravovat nebo provádět údržbu, přečtěte si důkladně kapitolu o bezpečnosti.

Schéma technické údržby

Vždy dodržujte plán údržby. Intervaly se vypočítávají z každodenního používání výrobku. Pokud výrobek nepoužíváte každý den, intervaly se liší. Provádějte pouze údržbu, kterou najdete v tomto návodu. Pokud chcete provést údržbu, která není v tomto návodu uvedena, obraťte se na schválené servisní středisko.

Denní údržba

- Vyčistěte vnější povrchy.
- Zkontrolujte funkci ovládání rychlosti a páčky plynu. Poškozené díly vyměňte
- Zkontrolujte stop spínač. V případě potřeby součást vyměňte.
- Zkontrolujte volnoběžné otáčky.
- Vyčistěte vzduchový filtr. V případě potřeby součást vyměňte.
- Zkontrolujte, zda lze kryt nasávání zajistit v uzavřené poloze. Zkontrolujte, zda je ventilátor čistý.
- Utáhněte všechny matice a šrouby.
- Zkontrolujte, zda nejsou kryty prasklé.
- Zkontrolujte, zda není sběrný vak poškozený a zda je zip funkční. V případě potřeby vyměňte vak.

<:fc 1>Týdenní údržba<:fc>

- Zkontrolujte stav startéru, startovací šňůry a napínací pružiny. Vyměňte všechny poškozené součásti.
- Zkontrolujte stav nasávání vzduchu na startéru. Pokud je přívod vzduchu ucpaný, odstraňte nečistoty.
- Očistěte vnější stranu zapalovací svíčky. Odmontujte ji a zkontrolujte vzdálenost elektrod. Upravte vzdálenost na 6 mm nebo vyměňte zapalovací svíčku.
- Vyčistěte lopatky ventilátoru.
- Vyčistěte sítko lapače jisker a v případě potřeby ji vyměňte (není přítomná u tlumičů výfuku s katalyzátorem).
- Očistěte oblast karburátoru.
- Vyčistěte vzduchový filtr.

Měsíční údržba

- Zkontrolujte rukojeť a lano startéru.
- Vyčistěte palivovou nádrž.
- Očistěte karburátor a jeho okolí.
- Vyčistěte lopatky ventilátoru.
- Zkontrolujte, zda není palivové vedení prasklé nebo jinak poškozené. V případě potřeby jej vyměňte
- Vyměňte palivový filtr v palivové nádrži.
- Zkontrolujte všechny elektrické kabely a konektory.
- Vyměňte zapalovací svíčku.
- Vyměňte vzduchový filtr.

Roční údržba

- Zkontrolujte zapalovací svíčku.
- Vyčistěte vnější povrch karburátoru a okolní oblast.
- Vyčistěte chladicí systém.
- Zkontrolujte sítko lapače jisker.
- Zkontrolujte palivový filtr.
- Zkontrolujte, zda není poškozená palivová hadice.
- Zkontrolujte všechny elektrické kabely a konektory.

50 hodin provozu

- Ve schváleném servisním středisku nechte opravit nebo vyměnit tlumič.

Úprava volnoběžných otáček

Než nastavíte volnoběh, zkontrolujte čistotu vzduchového filtru a to, zda je nasazen kryt vzduchového filtru.

Seřďte volnoběžné otáčky pomocí stavěcího šroubu volnoběžných otáček.

(Obr. 44)

Rychlost volnoběhu je správná tehdy, když má motor klidný chod v každé poloze.

1. Chcete-li zvýšit otáčky, otočte šroubem pro seřízení volnoběžných otáček ve směru hodinových ručiček.
2. Chcete-li snížit otáčky, otočte šroubem pro seřízení volnoběžných otáček proti směru hodinových ručiček.

Údržba sítka lapače jisker

Vyčistěte sítko lapače jisker drátěným kartáčem.

Čištění chladicího systému

Vyčistěte součásti chladicího systému kartáčem.

Kontrola zapalovací svíčky



VAROVÁNÍ: Vždy používejte doporučený typ zapalovacích svíček. Nesprávný typ zapalovací svíčky může způsobit poškození výrobku.

- Zkontrolujte zapalovací svíčku, pokud má motor malý výkon, špatně startuje nebo nefunguje správně ve volnoběžných otáčkách.
- Aby se snížilo nebezpečí přítomnosti nechtěných materiálů na elektrodách zapalovací svíčky, dodržujte tyto pokyny:
 - a) Zkontrolujte, zda jsou správně nastaveny volnoběžné otáčky.
 - b) Zkontrolujte správnost palivové směsi.
 - c) Zkontrolujte, zda je vzduchový filtr čistý.
- Jestliže je zapalovací svíčka znečištěná, vyčistěte ji a zkontrolujte, zda je vzdálenost elektrod zapalovací svíčky správná. Viz část *TECHNICKÉ ÚDAJE na straně 46*. (Obr. 45)
- V případě potřeby zapalovací svíčku vyměňte.

Údržba vzduchového filtru

Čištění vzduchového filtru

1. Odmontujte kryt vzduchového filtru a vzduchový filtr.
2. Vyčistěte filtr teplou mýdlovou vodou. Před montáží zkontrolujte, že je vzduchový filtr suchý.
3. Pokud je vzduchový filtr tak znečištěný, že jej nelze vyčistit, vyměňte ho. Poškozený vzduchový filtr vždy vyměňte.

4. Pokud je váš výrobek vybaven pěnovým filtrem, naneste olej na vzduchové filtry. Olej na vzduchové

filtry naneste pouze na pěnový filtr. Nenanášejte olej na vzduchové filtry na plstěný filtr.

TECHNICKÉ ÚDAJE

	jednot- ka	GBV 322 (GHB28VPR)	GBV 322VX (GHB28VPR)
Specifikace motoru			
Zdvihový objem válce	cm ³	26	26
Vzdálenost elektrod	mm	0,6	0,6
Objem palivové nádrže	cm ³	500	500
Volnoběžné otáčky	min ⁻¹	2800 až 3200	2800 až 3200
Maximální otáčky	min ⁻¹	8000	8000
Výstupní výkon	kW	0,8	0,8
Zapalovací svíčka		Champion RCJ-6Y	Champion RCJ-6Y
Maximální otáčky, režim foukání	min ⁻¹	8600	8600
Maximální otáčky, režim vysávání	min ⁻¹	--	7500
Životnost vzhledem k tvorbě emisí	h	50	50
Údaje o hluku a vibracích			
Ekvivalentní hladina vibrací na rukojeti s trubkami foukače a tryskou (originální díly) – viz poznámka 1	m/s ²	7,5	7,5
Ekvivalentní hladina vibrací na rukojeti s trubkami vysavače (originální díly), levá/pravá strana – viz poznámka 1	m/s ²	7,4	7,4
Ekvivalentní hladina akustického tlaku v uších obsluhy měřená podle normy ISO 22868 s trubkami foukače a tryskou (originální díly) – viz poznámka 3	dB (A)	95,6	95,6
Hladina akustického výkon, garantovaná (L _{WA}) – viz poznámka 2	dB (A)	112	112
Hladina akustického výkon, naměřená (LWA) – viz poznámka 2	dB (A)	109	109
Rozměry produktu			
Hmotnost	kg	4,4	4,5
<p>Poznámka 1: Uváděná data pro ekvivalentní hladinu vibrací mají typickou statistickou odchylku (standardní odchylku) 1,5 m/s².</p> <p>Poznámka 2: Emise hluku v životním prostředí měřené jako akustický výkon (L_{WA}) v souladu se směrnicí 2000/14/EU. Uváděná hladina akustického výkonu pro stroj byla měřena s originálním nastavcem, který generuje nejvyšší hladinu. Rozdíl mezi garantovaným a měřeným akustickým výkonem je v tom, že garantovaný akustický výkon rovněž zahrnuje rozptyl výsledků měření a rozdíly mezi různými stroji téhož modelu podle Směrnice 2000/14/ES.</p> <p>Poznámka 3: Uváděná data pro ekvivalentní hladinu akustického tlaku pro stroj mají typickou statistickou odchylku (standardní odchylku) 3 dB (A).</p>			

Ventilátor	jednotka	GBV 322	GBV 322VX
Typ		Radiální ventilátor	Radiální ventilátor
Max. rychlost vzduchu, standardní tryska	km/h	322	-
Max. rychlost vzduchu, [™] trubka foukače VX ^{™*}	km/h	-	370
Množství vzduchu, režim foukání	cfm	370	450
Množství vzduchu, režim vysávání	cfm	490	490
Mulčovací poměr		10:1	16:1
*volitelné příslušenství			

OBSAH PROHLÁŠENÍ O SHODĚ EU

My, společnost Husqvarna AB, SE 561 82 Huskvarna, ŠVÉDSKO, zcela zodpovědně prohlašujeme, že příslušný výrobek:

Tento certifikát, který je poskytnut na podepsaném prohlášení o shodě, se vztahuje na všechny výrobní závody a země původu uvedené na produktu.

Dodaný benzinový foukač / foukač-vysavač je shodný s exemplářem, který prošel zkouškou.

Popis	Benzinový foukač / foukač-vysavač
Značka	McCulloch
Platforma / typ / model	Platforma GHB28VPR, představující modely GBV 322, GBV 322VX
Šarže	Výrobní číslo od roku 2018 a dále

je zcela ve shodě s následujícími směrnici a předpisy EU:

Směrnice/předpis	Popis
2006/42/ES	„o strojních zařízeních“
2014/30/EU	„o elektromagnetické kompatibilitě“
2000/14/ES	„o venkovním hluku“

Platí následující harmonizované normy a/nebo technické specifikace: EN ISO 12100, EN 15503, CISPR 12, ISO 14982

Deklarované úrovně hluku jsou uvedeny v části s technickými údaji tohoto návodu a podepsaném prohlášení o shodě EU ve shodě se směrnicí 2000/14/ES, příloha V.

Společnost TÜV Rheinland N.A. provedla jménem společnosti Husqvarna AB dobrovolnou zkoušku zaručující Certifikát o shodě podle Směrnice 2006/42/ES Evropské rady pro strojní zařízení.

Indhold

INDLEDNING.....	48	VEDLIGEHOJDELSE.....	54
SIKKERHED.....	49	TEKNISKE DATA.....	56
MONTERING.....	52	INDHOLD I EF-	
DRIFT.....	52	OVERENSSTEMMELSESERKLÆRING.....	57

INDLEDNING

Brugervejledning

Det oprindelige sprog i denne brugervejledning er engelsk. Brugervejledninger på andre sprog er oversættelser fra engelsk.

Oversigt

(Fig. 1)

1. Skulderrem
2. Gasregulering
3. Stopkontakt
4. Fartpilot
5. Blæserhus
6. Brændstofftankdæksel
7. Luffilter
8. Chokerhåndtag
9. Spædepumpe
10. Indsugningsdæksel
11. Sugehåndtag
12. Findelingskniv (GBV 322VX)
13. Kasteblæser
14. Nederste blæserør (GBV 322)
15. VX™ Blæserør (GBV 322VX)
16. Øverste blæserør
17. Bolt
18. Lyddæmper
19. Jordforbindelsesledning
20. Startsnorens håndgreb
21. Startenhed
22. Håndtag
23. Kombinationsværktøj
24. Opsamlingsposens rør
25. Opsamlingspose
26. Sugerør i to sektioner
27. Skrue
28. Brugsanvisning

Symboler på produktet

- (Fig. 2) Advarsel
- (Fig. 3) Læs denne vejledning
- (Fig. 4) Brug godkendt sikkerhedshjelm

- (Fig. 5) Brug godkendt hørevern
- (Fig. 6) Brug godkendt øjenværn (ANSI Z87.1 eller tilsvarende)
- (Fig. 7) Brug godkendte beskyttelsesstøvler og -handsker
- (Fig. 8) Bær lange ærmer og bukser
- (Fig. 9) Bær ikke smykker, når du betjener produktet.
- (Fig. 10) Brug spidsen af en skruetrækker til at frigøre låsen.
- (Fig. 11) Sug ikke sten, grus, metal, glasskår, afrevet gummi eller andet materiale op, som kan beskadige vingehjulet.
- (Fig. 12) Produktet kan forårsage, at genstande slynges ud, hvilket kan forårsage skader på øjnene
- (Fig. 13) Du må ikke gå tæt på kasteblæseren, når den drejer
- (Fig. 14) Fuld choker
- (Fig. 15) Halv choker
- (Fig. 16) Ingen choker
- (Fig. 17) Sørg for, at langt hår sættes op, så det er over skuldrene.
- (Fig. 18) Sikker afstand
- (Fig. 19) Garanteret lydeffektniveau
- (Fig. 20) Produktet er i overensstemmelse med gældende Rådets direktiver.
- (Fig. 21) Produktet er i overensstemmelse med gældende EAC-direktiver.

(Fig. 22) Produktet er i overensstemmelse med gældende ukrainske direktiver.

Bemærk: Andre symboler/mærkater på produktet henviser til certificeringskrav i andre handelsområder.

EU V



ADVARSEL: Ved manipulation af motoren bortfalder EU-typegodkendelsen af dette produkt.

Produkansvar

Som nævnt i produktansvarsbestemmelserne hæfter vi ikke for skader forårsaget af vores produkt, hvis:

- produktet er forkert repareret
- produktet er repareret med dele, der ikke er fra producenten eller ikke er godkendt af producenten
- produktet har tilbehør, der ikke er fra producenten eller ikke er godkendt af producenten.
- produktet ikke er repareret på et godkendt servicecenter eller af en godkendt myndighed.

SIKKERHED

Sikkerhedsdefinitioner

Definitionerne nedenfor angiver alvorligheden for hvert enkelt signalord.



ADVARSEL: Skade på personer.



BEMÆRK: Beskadigelse af produktet.

Bemærk: Disse oplysninger gør det lettere at bruge produktet.

Generelle sikkerhedsinstruktioner

- Brug produktet korrekt. Forkert brug kan medføre personskader eller dødsfald. Brug kun produktet til de opgaver, der angives i denne vejledning. Brug ikke produktet til andre opgaver.
- Følg instruktionerne i denne vejledning. Overhold sikkerhedssymboler og sikkerhedsinstruktioner. Hvis operatøren ikke følger vejledningen og symbolerne, kan det medføre personskader, beskadigelse eller dødsfald.
- Smid ikke denne vejledning ud. Brug vejledningen til at samle, betjene og vedligeholde dit produkt. Brug vejledningen til korrekt montering af udstyr og tilbehør. Brug kun godkendt udstyr og tilbehør.
- Brug ikke et beskadiget produkt. Overhold vedligeholdelseskemaet. Udfør kun det vedligeholdelsesarbejde, du kan finde vejledning til i denne vejledning. Et godkendt servicecenter skal udføre alt andet vedligeholdelsesarbejde.
- Denne vejledning beskriver ikke alle situationer, der kan opstå, når du bruger produktet. Vær forsigtig og brug din sunde fornuft. Du må ikke bruge produktet eller foretage vedligeholdelse på produktet, hvis du ikke er sikker på, hvad du skal gøre. Snak med en produkt ekspert, forhandler, serviceværksted eller godkendt servicecenter for at få mere at vide.

- Fjern kablet fra tændrøret, før du samler produktet, sætter produktet til opbevaring eller foretager vedligeholdelse.
- Brug ikke produktet, hvis det er blevet ændret fra den oprindelige specifikation. Du må ikke ændre dele af produktet uden producentens godkendelse. Brug kun dele, der er godkendt af producenten. Forkert vedligeholdelse kan medføre personskader eller dødsfald.
- Indånd ikke dampe fra motoren. Langvarig indånding af motorens udstødningsgasser er sundhedsskadelig.
- Start ikke produktet indendørs eller i nærheden af brandfarligt materiale. Udstødningsgasserne er varme og kan indeholde gnister, der kan starte en brand. Utilstrækkelig med luftstrøm kan forårsage personskader eller dødsfald på grund af kvælning eller kulilte.
- Motoren danner et elektromagnetisk felt, når du bruger dette produkt. Det elektromagnetiske felt kan beskadige medicinske implantater. Tal med din læge og producenten af det medicinske implantat, før du betjener produktet.
- Lad ikke børn betjene produktet. Lad ikke en person uden kendskab til vejledningen betjene produktet.
- Sørg for at overvåge personer med nedsat fysisk eller mental kapacitet, der bruger produktet. En voksen skal være til stede hele tiden.
- Lås produktet inde i områder, hvor børn og uautoriserede personer ikke kan få adgang.
- Produktet kan slynge genstande ud og forårsage skader. Overhold sikkerhedsinstruktionerne for at mindske risikoen for personskader eller dødsfald.
- Du må ikke gå væk fra produktet, når motoren er tændt.
- Brugeren af produktet er ansvarlig, hvis der sker et uheld.
- Sørg for, at delene ikke er beskadigede, før du bruger produktet.
- Sørg for, at du som minimum er 15 m væk fra andre personer eller dyr, før du bruger produktet. Sørg for, at personer i det nærliggende område ved, at du bruger produktet.

- Se nationale eller lokale love. Visse love kan forhindre eller mindske brugen af produktet under nogle forhold.
- Brug ikke produktet, hvis du er træt eller påvirket af alkohol, narkotika eller medicin. Det kan påvirke dit syn, din opmærksomhed, din koordination eller din dømmekraft.

Vibrationssikkerhed

Dette produkt er kun til lejlighedsvis brug. Vedvarende eller regelmæssig brug af produktet kan forårsage "hvide fingre" eller tilsvarende medicinske problemer på grund af vibrationer. Hold øje med dine hænder og fingre, hvis du betjener produktet vedvarende eller regelmæssigt. Hvis dine hænder eller fingre har misfarvning, gør ondt, snurrer eller er følelseløse, skal du stoppe arbejdet og tale med en læge med det samme.

Sikkerhedsinstruktioner til brug af løvblæseren

- Brug kun apparatet til at blæse eller suge blade og andet affald væk fra jorden.
- Brug aldrig produktet, hvis du er træt, syg eller har indtaget alkohol, narkotika eller medicin.
- Lad ikke andre personer eller dyr opholde sig inden for 15 m af brugeren.
- Produktet kan slynge genstande ud ved høj hastighed, der kan rikochettere og ramme brugeren. Dette kan forårsage øjenskader.
- Ret ikke løvblæserens mundstykke mod personer eller dyr.
- Sørg for, at langt hår sættes, så det er over skuldrene.
- Stands motoren, før du samler eller skiller tilbehør eller andre komponenter ad.
- Du må ikke bruge produktet uden afskærmningen.
- Betjen ikke produktet, hvis der er personer i arbejdsområdet. Stop produktet, hvis en person går ind i arbejdsområdet.
- Brug ikke produktet i et rum med utilfredsstillende udluftning. Hvis udluftningen er utilstrækkelig, kan det forårsage personskader eller dødsfald på grund af kvælning eller kullite.
- Lyddæmperen er meget varm, mens produktet er tændt, efter det er stoppet, og når det kører i tomgangshastighed. Vær forsigtig i nærheden af brandfarlige materialer og brandfarlige gasser.
- Rør ikke ved indsugningsdækslets område. Hold smykker og løst hængende tøj væk fra indsugningsområdet.
- Sørg altid for korrekt fodfæste, og brug kun produktet på sikre og jævne overflader. Glatte eller ustabile overflader, f.eks. stiger, kan medføre, at du mister balancen eller kontrollen.
- Du må ikke bruge produktet på et højt beliggende område, f.eks. på et tag.
- Fastgør produktet under transport.

- Brug kun produktet på det anbefalede tidspunkt. Overhold de lokale bestemmelser. Normalt anbefales kl. 9:00 til 17:00 fra mandag til og med lørdag.
- Brug produktet ved den lavest mulige gas for at udføre arbejdet.
- Sørg for, at du ikke kan falde, når du bruger produktet. Stå ikke skråt, når du bruger produktet.
- Sørg for, at produktet er i god stand før drift, specielt lyddæmperen, luftindsugningen og luftfilteret.
- Anvend en rive eller en kost til at løsne affald på jorden inden brug af produktet.
- Hvis arbejdsområdet er snavset, skal du sprøjte det med en vandslange.
- Brug produktet som alternativ til en vandslange for at spare vand.
- Blæs affald på en sikker måde. Vær på vagt over for børn, dyr, åbne vinduer eller køretøjer.
- Ret aldrig produktet mod skrøbelige planter.
- Der må ikke blæses luft i retning af genstande såsom vægge, store sten, køretøjer eller hegn.
- Skal du arbejde i de inderste hjørner, blæs da fra hjørnet og ind mod midten af arbejdsområdet. Hvis ikke kan affald ramme dig i ansigtet og forårsage øjenskader.
- Brug den fulde mundstykkeforlængelse til at holde luftstrømmen tæt ved jorden.
- Det er nødvendigt, at andre tilstedeværende bruger øjenværn.
- Bortskaf affaldet i affaldsbeholdere efter brugen af produktet.

Sikkerhedsanvisninger for betjening af sugeren

- Undgå skader på blæseren. Undlad at opsuge store, faste genstande såsom træ, dåser, gummifiser eller lange stykker snor.
- Lad ikke sugerøret falde ned på jorden.
- Stop motoren, og afbryd tændhætten, før du fjerner en blokering eller tilstoppet materiale.

Personligt beskyttelsesudstyr

- Brug altid korrekt personligt beskyttelsesudstyr, når du bruger produktet. Personligt beskyttelsesudstyr fjerner ikke risikoen for skader. Personligt beskyttelsesudstyr mindsker eventuelle skader, hvis der sker et uheld.
- Anvend altid godkendt øjenværn, når du betjener produktet.
- Du må ikke betjene produktet med bare fødder eller åbne sko. Brug altid kraftige, skridsikre støvler.
- Brug kraftige, lange bukser.
- Hvis det er nødvendigt, skal du bruge godkendte beskyttelseshandsker.
- Brug en hjelm, hvis der er risiko for, at genstande kan falde ned på dit hoved.

- Brug altid godkendt hørevern, når du bruger produktet. Støj over længere perioder kan forårsage støjbetingethøretab.
- Anvend altid en godkendt støvmaske, når du bruger produktet i støvede omgivelser.
- Sørg for, at du har en førstehjælpskasse i nærheden.

Beskyttelsesanordninger på produktet

- Sørg for, at du regelmæssigt foretager vedligeholdelse af produktet.
 - Levetiden for produktet øges.
 - Risikoen for ulykker mindskes.

Lad en godkendt forhandler eller et godkendt servicecenter regelmæssigt undersøge produktet og udføre justeringer eller reparationer.

- Brug ikke et produkt, hvis beskyttelsesudstyret er beskadiget. Hvis produktet er beskadiget, skal du kontakte et godkendt servicecenter.

Stopkontakt

Start motoren. Sørg for, at motoren stopper, når stopkontakten sættes i stopposition.

Lyddæmper



ADVARSEL: Rør ikke lyddæmperen, hvis den er varm. Lyddæmperen er meget varm, mens motoren kører, og efter den stopper. Hvis du rører ved lyddæmperen, kan det medføre forbrændinger.

- Brug ikke motoren med en defekt lyddæmper. En defekt lyddæmper øger støjniveauet og risikoen for brand. Hav en brandslukker i nærheden.
- Undersøg regelmæssigt, om lyddæmperen er fastgjort til produktet.
- Rør ikke ved motoren eller lyddæmperen, når motoren er tændt. Rør ikke ved motoren eller lyddæmperen et stykke tid, efter at motoren stopper. Varme overflader kan medføre personskader.
- En varm lyddæmper kan forårsage brand. Vær forsigtig, hvis du bruger produktet i nærheden af brændbare væsker eller gasser.
- Rør ikke delene i lyddæmperen, hvis lyddæmperen er beskadiget. Delene kan indeholde visse kræftfremkaldende kemikalier.
- Nogle blæsermodeller har en gnistfangerskærm. Rengør og udskift skærmen i foreskrevne intervaller. Se afsnittet Vedligeholdelse (VEDLIGEHOJDELSE på side 54).

Brændstofsikkerhed

- Start ikke produktet, hvis der er brændstof eller motorolie på produktet. Fjern uønsket brændstof/olie og lad produktet tørre. Fjern uønsket brændstof fra produktet.

- Hvis du får brændstof på dit tøj, skal du skifte tøj med det samme.
- Undgå at få brændstof på kroppen, da det kan forårsage personskader. Hvis du får brændstof på kroppen, skal du bruge sæbe og vand til at fjerne brændstoffet.
- Start ikke motoren, hvis du får olie eller brændstof på produktet eller på din krop.
- Start ikke produktet, hvis motoren lækker. Undersøg regelmæssigt motoren for lækager.
- Vær forsigtig med brændstof. Brændstof er letantændeligt og dampe er eksplosive og kan medføre personskader eller dødsfald.
- Undgå at indånde brændstoffdampene, da det kan forårsage personskader. Sørg for, at der er tilstrækkelig luftstrøm.
- Ryg ikke i nærheden af brændstof eller motor.
- Anbring ikke varme genstande i nærheden af brændstof eller motor.
- Fyld ikke brændstof på, når motoren er tændt.
- Sørg for, at motoren er afkølet, inden du fylder brændstof på.
- Før du fylder brændstof på, skal du åbne brændstofftankens dæksel langsomt og forsigtigt udløse trykket.
- Fyld ikke brændstof på motoren i et indendørs område. Utilstrækkelig med luftstrøm kan forårsage personskader eller dødsfald på grund af kvælning eller kulilte.
- Spænd dækslet på brændstofftanken omhyggeligt, ellers kan der opstå brand.
- Flyt produktet minimum 3 m fra det sted, hvor du fylder tanken, før du starter det.
- Fyld ikke for meget brændstof i brændstofftanken.
- Sørg for, at der ikke er lækager, når du flytter produktet eller brændstoffdunken.
- Anbring ikke produktet eller en brændstoffdunk på steder med åben ild, gnister eller tændflammer. Sørg for, at der ikke er åben ild i opbevaringsområdet.
- Brug kun godkendte tanke, når du flytter brændstoffet eller sætter det til opbevaring.
- Tøm brændstofftanken før langtidsopbevaring. Overhold lokal lovgivning om bortskaffelse af brændstof.
- Rengør produktet før langtidsopbevaring.
- Fjern kablet fra tændrøret inden opbevaring for at sikre, at motoren ikke starter utilsigtet.

Sikkerhedsinstruktioner for vedligeholdelse



ADVARSEL: Ukorrekt vedligeholdelse kan resultere i alvorlige maskinskader eller personskader.

Ejeren af redskabet er ansvarlig for, at al den nødvendige vedligeholdelse, der er beskrevet i brugervejledningen, bliver udført. Tændrørskablet skal

altid frakobles før vedligeholdelse. Frakobl ikke tændrøret før justeringer af karburator.

MONTERING



ADVARSEL: Læs kapitlet om sikkerhed, før du samler produktet.

Sådan monteres det øverste blæserør

1. Placer slidserne på det øverste blæserør (A) ud for tappene i blæserudgangen (B). (Fig. 23)
2. Skub det øverste blæserør helt ned på blæserudgangen.
3. Drej det øverste blæserør, indtil hullet i røret flugter med gevindet i møtrikken i blæserudgangen. (Fig. 24)
4. Monter skruen (C). (Fig. 25)
5. Drej skruen med uret med en skruetrækker for at fastgøre røret.

Sådan monteres det nederste blæserør

1. Placer slidserne i det nederste blæserør (A) ud for tappene på det øverste blæserør (B). (Fig. 26)
2. Skub det nederste blæserør helt op til det øverste blæserør.
3. Drej det nederste blæserør hele vejen rundt, indtil tappene går i indgreb for enden af slidserne. (Fig. 27)

Sådan monteres VX™ Blæserør

1. Ret slidserne på VX's™ blæserør (A) op i forhold til tappene på det øverste blæserør (B). (Fig. 28)
2. Skub VX's™ blæserrøret helt op til det øverste blæserør.
3. Drej VX's™ blæserrør hele vejen rundt, indtil tappene går i indgreb for enden af slidserne. (Fig. 29)

Sådan monteres det øverste sugerør

1. Sæt spidsen af en skruetrækker i låsepunktet på indsugningen. (Fig. 30)

2. Vip forsigtigt skruetrækkerens håndtag mod produktets front for at frigøre låsen.
3. Hold dækslet til indsugningen åbent, til det øverste sugerør sidder på plads. (Fig. 31)
4. Placér ribben i øverste indsugningsrør, så den er ud for tappene på indersiden af sugerøret.

Bemærk: Flugt indikatorerne på indsugningsåbningen og på det øverste sugerør.

5. Tryk det øverste sugerør helt ind i indsugningen.
6. Drej det øverste sugerør helt med uret, indtil du fornemmer et klik. (Fig. 32)

Sådan monteres det nederste sugerør

1. Placer slidserne i nederste sugerør ud for tappene på det øverste sugerør.
2. Skub det nederste sugerør helt op til det øverste sugerør, indtil tappene går i indgreb for enden af slidserne. (Fig. 33)
3. Monter skruen.
4. Drej skruen med uret med en skruetrækker for at fastgøre røret. (Fig. 34)

Sådan monteres opsamlingsposens rør

1. Placer slidserne på opsamlingsposens rør (A) ud for tappene i blæserafgangen (B). (Fig. 35)
2. Skub opsamlingsposens rør helt ned på blæserafgangen.
3. Drej opsamlingsposens rør, indtil hullet i røret flugter med gevindene i møtrikken i blæserafgangen. (Fig. 36)
4. Monter skruen (C).
5. Drej skruen med uret med en skruetrækker for at fastgøre røret. (Fig. 37)

DRIFT



ADVARSEL: Læs og forstå kapitlet om sikkerhed, før du betjener produktet.

Brændstof

Sådan bruger du brændstof



BEMÆRK: Dette produkt har en totaktsmotor. Brug en blanding af benzin og totaktsmotorolie. Sørg for at anvende den korrekte mængde olie i blandingen. Forkert

forhold mellem benzin og olie kan forårsage beskadigelse af motoren.

Benzin



BEMÆRK: Brug ikke benzin med et oktantal mindre end 90 RON (87 AKI). Det kan forårsage skader på produktet.



BEMÆRK: Brug ikke benzin med en ethanolkoncentration på mere end 10 % (E10). Det kan forårsage skader på produktet.

- Brug altid ny blyfri benzin med et oktantal på minimum 90 RON (87 AKI) og med en ethanolkoncentration på mindre end 10 % (E10).
- Brug aldrig benzin med højere oktantal, hvis du ofte bruger produktet ved et konstant højt motoromdrejningstal.

Totaktsmotorolie

- Brug kun totaktsmotorolie af høj kvalitet. Brug kun luftkølet motorolie.
- Brug ikke andre typer olie.
- Blandingsforhold 50:1 (2 %)

Benzin	Olie
1 US gal	77 ml (2,6 oz)
1 UK gal.	95 ml (3,2 oz)
5 l	100 ml (3,4 oz)

Sådan laver du brændstofblandingen

Bemærk: Brug altid en ren brændstofdunk, når du blander brændstoffet.

Bemærk: Lav ikke en brændstofblanding til mere end 30 dage.

1. Tilføj halvdelen af benzinen.
2. Tilføj al olien.
3. Ryst brændstofblandingen for at blande indholdet.
4. Hæld resten af benzinen i.
5. Ryst brændstofblandingen for at blande indholdet.
6. Fyld brændstoftanken.

Sådan påfylder du brændstof

- Brug altid en brændstofdunk med overløbssikring.
- Hvis der er brændstof på dunken, skal du fjerne det uønskede brændstof og lade dunken tørre.
- Sørg for, at området i nærheden af brændstoffdækslet er rent.

- Ryst brændstofdunken, før du fylder brændstofblandingen i brændstoftanken.

Sådan starter og stopper du

Før du starter motoren

- Undersøg produktet for manglende, beskadigede, løse eller slidte dele.
- Undersøg opsamlingsposen. Sørg for, at opsamlingsposen ikke er beskadiget, og lynlåsen er lukket.
- Undersøg møtrikker, skruer og bolte.
- Undersøg luftfilteret.
- Undersøg, om gasreguleringen fungerer korrekt.
- Undersøg, om stopkontakten fungerer korrekt.
- Undersøg produktet for brændstoffækager.

Sådan starter du en kold motor



ADVARSEL: Vikl aldrig startsnoren rundt om armen.



BEMÆRK: Hold aldrig produktet med foden.



BEMÆRK: Træk ikke i startsnoren til slutpositionen. Slip ikke startrebets håndtag, når startrebet udvides. Det kan forårsage skader på produktet.

Bemærk: Hvis motoren standser, flyttes chokerhåndtaget til den lukkede position, og starttrinnene udføres igen.

1. Fyld brændstoftanken med ren brændstofblanding i tanken.
2. Brug venstre hånd til at holde maskinkroppen mod jorden. Sørg for, at blæserens munding holdes bort fra mennesker, dyr, glas og faste genstande.
3. Tryk langsomt på brændstofpumpebolden 10 gange
4. Sæt chokerarmen i FULD CHOKER-stilling.
5. Tryk gaslåsen ind, og hold den inde
6. Træk hårdt i startsnoren, til motoren forsøger at starte, men træk højst 3 gange.

Bemærk: Hvis temperaturen er under 4 °C (40 °F), skal du fortsætte med at trække i startsnoren, indtil motoren forsøger at starte.

7. Sæt chokerarmen i HALV CHOKER-stilling.
8. Træk hurtigt i startsnorens håndtag, indtil motoren starter.
9. Lad motoren køre i 10 sekunder.
10. Sæt chokerarmen i INGEN CHOKER-stilling.

Sådan starter du en varm motor

1. Tryk langsomt på brændstofpumpebolden 10 gange
2. Sæt chokerarmen i HALV CHOKER-stilling.
3. Træk hurtigt i startsnorens håndtag, indtil motoren starter.
4. Sæt chokerarmen i INGEN CHOKER-stilling.

Sådan startes en motor med dampplås

Dampplås opstår, når brændstoffet i brændstofledningen eller karburatoren fordamper på grund af øget varme.

Et produkt har muligvis dampplås, hvis det ikke genstarter ved en omgivende temperatur på over 35 °C (95 °F), og det har været slukket i 15-45 minutter.

1. Tryk på brændstofpumpebolden igen og igen i 10-15 sekunder.
2. Sæt chokerarmen i HALV CHOKER-stilling.
3. Træk hurtigt i startsnorens håndtag, indtil motoren starter.
4. Lad motoren varme op i 3 minutter i tomgang.
5. Sæt chokerarmen i INGEN CHOKER-stilling.

Sådan standses motoren

- Tryk på og slip STOP-knappen til motoren. Knappen går automatisk tilbage til ON-positionen (tændt). Vent 7 sekunder, før du forsøger at genstarte produktet for at sikre, at kontakten nulstilles.

Sådan justeres VX'en™ Blæserør

1. Lad den korrekte slids (A eller B) på VX'ens udvendige™ blæserør flugte med tappen (C) på det indvendige rør. (Fig. 38)

Bemærk: Du kan ikke se tappen, når rørene er samlet. Du skal kunne fornemme tappens placering, når du bevæger det udvendige rør.

Bemærk: Lad tappen gå i indgreb i position "A" for en stor blæseråbning. En stor blæseråbning fjerner store områder med tørre blade og andet uønsket materiale. Lad tappen gå i indgreb i position "B" for en lille blæseråbning. En lille blæseråbning gør luftstrømmen hurtigere til rengøring mellem revner og kanter samt til fjernelse af tungt materiale som f. eks. våde blade.

2. Drej det udvendige rør som vist for at frigøre tappen fra slidsen. (Fig. 39)
3. Flyt det udvendige rør langs det indvendige rør for at skifte position. (Fig. 40)

4. Drej det udvendige rør som vist, indtil tappen er i fuldt indgreb for enden af den korrekte placering af slidsen. (Fig. 41)

Driftsstilling

- Blæser (Fig. 42)
- Vakuum (Fig. 43)

Sådan suger du

Tag det nødvendige sikkerhedsudstyr på, inden du suger.



ADVARSEL: Sørg for, at opsamlingsposen ikke er beskadiget, og at lynlåsen lukker før brug. Brug ikke en pose, hvis den er beskadiget. Dette forhindrer personskader forårsaget af flyvende affald. Betjening med venstre hånd øger risikoen. Lad ikke kroppen komme i berøring med udstødningsområdet.



ADVARSEL: Start ikke løvblæseren, hvis indsugningsdækslet er åbent eller beskadiget (medmindre sugerøret er monteret).

- Når løvblæseren anvendes, skal opsamlingsposen holdes fast af skulderremmen. Stroppen skal bæres på toppen af skulderen.
- Start løvblæseren. Overhold anvisningerne i start- og stopafsnittet *Sådan starter og stopper du på side 53*. Læs sikkerhedsinstruktionerne *SIKKERHED på side 49*.

Sådan tømmer du opsamlingsposen



ADVARSEL: Undersøg altid opsamlingsposen. Sørg for, at den ikke er beskadiget, og at lynlåsen er lukket før brug. Brug ikke en beskadiget pose. Der er risiko for skader på grund af udslyngt affald. Vær forsigtig, hvis betjening med venstre hånd er aktiveret. Rør ikke ved udstødningsområdet.

1. Stands produktet.
2. Åbn lynlåsen i siden.
3. Tøm opsamlingsposen.
4. Luk lynlåsen.

VEDLIGEHODELSE



ADVARSEL: Læs og forstå sikkerhedskapitlet, før du rengør, reparerer eller udfører vedligeholdelse på produktet.

Vedligeholdelsesskema

Sørg for, at du overholder vedligeholdelsesskemaet. Intervallerne er fastlagt baseret på daglig brug af

produktet. Intervallerne er anderledes, hvis du ikke bruger produktet hver dag. Foretag kun vedligeholdelsesarbejde, som beskrevet i denne vejledning. Snak med et godkendt servicecenter vedrørende yderligere vedligeholdelsesarbejde, som ikke er beskrevet i denne vejledning.

Dagligt eftersyn

- Rengør de udvendige overflader.
- Undersøg, at omdrejningstalreguleringen og gasreguleringen fungerer. Udskift beskadigede dele
- Undersøg stopkontakten. Udskift det, hvis det er nødvendigt.
- Undersøg tomgangshastigheden.
- Rens luftfilteret. Udskift det, hvis det er nødvendigt.
- Sørg for, at indsugningsdækslet kan låses i lukket position. Sørg for, at kasteblæseren er ren.
- Spænd alle møtrikker og skruer.
- Sørg for, at husene er fri for revner.
- Sørg for, at opsamlingsposen er intakt, og at lynlåsen fungerer. Posen udskiftes om nødvendigt.

Ugentligt eftersyn

- Undersøg startapparatets tilstand, startrebet og spændefjederen. Udskift alle beskadigede dele.
- Undersøg luftindtagetets tilstand ved startapparatet. Fjern affald, hvis luftindtaget er tilstoppet.
- Rengør tændrøret udvendigt. Afmonter det, og undersøg elektrodeafstanden. Juster afstanden til 6 mm, eller udskift tændrøret.
- Rengør knive på kasteblæseren.
- Rengør gnistfangerskærmen, og udskift den om nødvendigt (ikke på lydæmpere med katalysator).
- Rengør området omkring karburatoren.
- Rens luftfilteret.

Månedligt eftersyn

- Undersøg starthåndtaget og startrebet.
- Rengør brændstoftanken.
- Rengør karburatoren og området omkring dette.
- Rengør knive på kasteblæseren.
- Undersøg brændstofslinger for tegn på revner eller andre skader. Udskift om nødvendigt
- Udskift brændstoffilteret i brændstoftanken
- Undersøg alle kabler og tilslutninger.
- Udskift tændrøret.
- Udskift luftfilteret.

Årlig vedligeholdelse

- Undersøg tændrøret.
- Rengør de udvendige overflader på karburatoren og dens tilstødende områder.
- Rengør kølesystemet.
- Undersøg gnistfangerskærmen.
- Undersøg brændstoffilteret.
- Undersøg brændstofslangen for skader.
- Undersøg alle kabler og tilslutninger.

50 timers vedligeholdelse

- Få et godkendt servicecenter til at reparere eller udskifte lydæmperen.

Sådan justerer du tomgangshastigheden

Sørg for, at luftfilteret er rent og at luftfilterdækslet er fastgjort, før du justerer tomgangshastigheden.

Indstilling af tomgangshastigheden med justerskruen. (Fig. 44)

Tomgangshastigheden er korrekt, når motoren kører jævnt i alle positioner.

1. Drej justerskruen med uret for højere hastighed.
2. Drej justerskruen mod uret for lavere hastighed.

Sådan foretager du vedligeholdelse på gnistfangerskærmen

Brug en stålborste til at rengøre gnistfangerskærmen.

Sådan renser du kølesystemet

Rens delene i kølesystemet med en børste.

Sådan undersøger du tændrøret



BEMÆRK: Brug altid anbefalet tændrørstype. Forkert tændrørstype kan forårsage skader på produktet.

- Undersøg tændrøret, hvis motoren mangler kraft, ikke starter nemt eller ikke fungerer korrekt i tomgangshastighed.
- Sådan mindsker du risikoen for uønsket materiale på tændrørets elektroder, følg disse instruktioner:
 - a) Sørg for, at omdrejningstallet i tomgang er indstillet korrekt.
 - b) Sørg for, at brændstofblandingen er korrekt.
 - c) Sørg for, at luftfilteret er rent.
- Hvis tændrøret er beskidt, skal det renses, og samtidig skal det kontrolleres, at elektrodeafstanden er korrekt. Se *TEKNISKE DATA på side 56*. (Fig. 45)
- Udskift om nødvendigt tændrøret.

Sådan foretager du vedligeholdelse af luftfiltret

Rengøring af luftfilteret

1. Fjern luftfilterdækslet og luftfiltret.
2. Rens luftfilteret med varmt sæbevand. Sørg for, at luftfilteret er tørt, før du sætter det i igen.
3. Udskift luftfilteret, hvis det er for beskidt til at rengøres helt. Udskift altid et beskadiget luftfilter.

4. Hvis produktet har et skumlufffilter, skal du påføre luffilterolie. Anvend kun luffilterolie til et skumfilter. Anvend ikke olie i et filtfilter.

TEKNISKE DATA

	enhed	GBV 322 (GHB28VPR)	GBV 322VX (GHB28VPR)
Motorspecifikationer			
Cylindervolumen	cm ³	26	26
Elektrodeafstand	mm	0,6	0,6
Brændstoftankvolumen	cm ³	500	500
Tomgangshastighed	min ⁻¹	2800-3200	2800-3200
Maksimalt omdrejningstal	min ⁻¹	8000	8000
Motoreffekt	kW	0,8	0,8
Tændrør		Champion RCJ-6Y	Champion RCJ-6Y
Maksimalt omdrejningstal for blæsetilstand	min ⁻¹	8600	8600
Maksimalt omdrejningstal for sugetilstand	min ⁻¹	--	7500
Emissionsholdbarhedstid	t	50	50
Støj- og vibrationsoplysninger			
Tilsvarende vibrationsniveau i håndtag med blæserør og mundstykke (original) – se note 1	m/s ²	7,5	7,5
Tilsvarende vibrationsniveau i håndtag med et sugerør (original), venstre/højre – se note 1	m/s ²	7,4	7,4
Tilsvarende lydtrykniveau ved operatørens øre målt i henhold til ISO 22868 udstyret med blæserør og mundstykke (original) – se note 3	dB(A)	95,6	95,6
Støjniveau, garanteret (L _{WA}) – se note 2	dB(A)	112	112
Støjniveau, målt – se note 2	dB(A)	109	109
Produktmål			
Vægt	kg	4,4	4,5
<p>Note 1: Rapporterede data for ækvivalent vibrationsniveau har en typisk statistisk spredning (standardafvigelse) på 1,5 m/s².</p> <p>Note 2: Emission af støj til omgivelserne målt som lydeffekt (L_{WA}) i henhold til EF-direktiv 2000/14/EF. Rapporteret lydeffektniveau for maskinen er målt med det originale udstyr, der giver det højeste niveau. Forskellen mellem garanteret og målt lydeffekt er, at den garanterede lydeffekt også omfatter spredning i måleresultatet og variationerne mellem forskellige maskiner af samme model i henhold til direktivet 2000/14/EF.</p> <p>Note 3: Rapporterede data for ækvivalent lydtrykniveau for maskinen har en typisk statistisk spredning (standardafvigelse) på 3 dB(A).</p>			

Ventilator	enhed	GBV 322	GBV 322VX
Type		Radialventilator	Radialventilator
Maks. lufthastighed ved standardmundstykke	km/t	322	-
Maks. lufthastighed, VX™ blæserør*	km/t	-	370
Luftvolumen blæsetilstand	cfm	370	450
Luftvolumen i sugetilstand	cfm	490	490
BioClip-forhold		10:1	16:1
*ekstraudstyr			

INDHOLD I EF-OVERENSSTEMMELSESERKLÆRING

Vi, Husqvarna AB, SE 561 82 Huskvarna, SVERIGE, erklærer under eget ansvar, at det repræsenterede produkt:

produktionssteder og oprindelseslande, som angivet på produktet.

Den(t) leverede benzindrevne blæser/blæsersug stemmer overens med det eksemplar, der har gennemgået typegodkendelsen.

Beskrivelse	Benzindrevet blæser/ blæsersug
Mærke	McCulloch
Platform / type / model	Platform GHB28VPR, på model GBV 322, GBV 322VX
Batch	Serienumre fra 2018 og fremefter

overholder følgende EU-direktiver og bestemmelser:

Direktiv/bestemmelser	Beskrivelse
2006/42/EF	"angående maskiner"
2014/30/EU	"angående elektromagnetisk kompatibilitet"
2000/14/EF	"vedrørende udendørs støj"

Harmoniserede standarder og/eller tekniske specifikationer anvendt er som følger: EN ISO 12100, EN 15503, CISPR 12, ISO 14982

I overensstemmelse med direktiv 2000/14/EF, bilag V, er de erklærede lydverdier angivet i afsnittet om tekniske data i denne manual og i den underskrevne EF-overensstemmelseserklæring.

TÜV Rheinland N.A. har udført en frivillig afprøvning på vegne af Husqvarna AB med opnåelse af overensstemmelsesattest iht. Rådets maskindirektiv 2006/42/EF.

Certifikatet, som findes i den underskrevne EF-overensstemmelseserklæring, gælder for alle

Inhalt

EINLEITUNG.....	58	WARTUNG.....	65
SICHERHEIT.....	59	TECHNISCHE DATEN.....	67
MONTAGE.....	62	INHALT DER EU-KONFORMITÄTSEKTLÄRUNG.....	68
BETRIEB.....	63		

INLEITUNG

Bedienungsanleitung

Die Ausgangssprache dieser Betriebsanleitung ist Englisch. Bedienungsanleitungen in anderen Sprachen sind Übersetzungen aus dem Englischen.

Übersicht

(Abb. 1)

1. Schultergurt
2. Gashebel
3. Stoppschalter
4. Geschwindigkeitsregelung
5. Lüftergehäuse
6. Kraftstofftankdeckel
7. Luftfilter
8. Choke-Hebel
9. Kraftstoffpumpe
10. Einlassabdeckung
11. Saugrohrgriff
12. Mulchblatt (GBV 322VX)
13. Lüfterrad
14. Unteres Blasrohr (GBV 322)
15. VX™ Blasrohr (GBV 322VX)
16. Oberes Blasrohr
17. Schraube
18. Schalldämpfer
19. Erdungsleiter
20. Startseilhandgriff
21. Startvorrichtung
22. Handgriff
23. Kombinationswerkzeug
24. Rohr des Fangsacks
25. Fangsack
26. Zweiteiliges Saugrohr
27. Schraube
28. Bedienungsanleitung

Symbole auf dem Produkt

(Abb. 2) Warnung

(Abb. 3) Lesen Sie diese Bedienungsanleitung

(Abb. 4) Tragen Sie einen zugelassenen Kopfschutz

(Abb. 5) Tragen Sie einen zugelassenen Gehörschutz

(Abb. 6) Tragen Sie einen zugelassenen Augenschutz (ANSI Z87.1 oder gleichwertig)

(Abb. 7) Tragen Sie zugelassene Schutzstiefel und -handschuhe.

(Abb. 8) Tragen Sie lange Ärmel und Hosen.

(Abb. 9) Tragen Sie keinen Schmuck, wenn Sie das Produkt betreiben.

(Abb. 10) Lösen Sie die Verriegelung mit der Spitze des Schraubendrehers.

(Abb. 11) Saugen Sie keine Steine, keinen Kies, kein Metall, kein zerbrochenes Glas, keinen Gummimulch oder anderes Material auf, mit dem das Lüfterrad beschädigt werden könnte.

(Abb. 12) Das Gerät kann Objekte umherschleudern und Augenverletzungen verursachen

(Abb. 13) Kommen Sie dem sich drehenden Lüfterrad nicht zu nahe

(Abb. 14) Vollständiger Choke

(Abb. 15) Halber Choke

(Abb. 16) Kein Choke

(Abb. 17) Achten Sie darauf, langes Haar über den Schultern zusammenzubinden.

(Abb. 18) Sicherheitsabstand

(Abb. 19) Garantierter Schalleistungspegel

(Abb. 20) Dieses Gerät entspricht den geltenden EG-Richtlinien.

(Abb. 21) Dieses Gerät entspricht den geltenden EAC-Richtlinien.

(Abb. 22) Dieses Gerät entspricht den geltenden Richtlinien der Ukraine.

Hinweis: Weitere Symbole/Aufkleber auf dem Gerät beziehen sich auf die Zertifizierungsanforderungen für andere kommerzielle Bereiche.

EU V



WARNUNG: Bei einem Eingriff in den Motor erlischt die EU-Typgenehmigung für dieses Produkt.

Produkthaftung

Im Sinne der Produkthaftungsgesetze übernehmen wir keine Haftung für Schäden, die unser Gerät verursacht, wenn...

- das Gerät nicht ordnungsgemäß repariert wurde.
- das Gerät mit Teilen repariert wurde, die nicht vom Hersteller stammen oder vom Hersteller zugelassen sind.
- ein Zubehörteil mit dem Gerät verwendet wird, das nicht vom Hersteller stammt oder vom Hersteller zugelassen ist.
- das Gerät nicht bei einem autorisierten Service Center oder von einem zugelassenen Fachmann repariert wurde.

SICHERHEIT

Sicherheitsdefinitionen

Die nachstehenden Definitionen geben den Schweregrad für jedes Signalwort an.



WARNUNG: Personenschäden.



ACHTUNG: Schäden am Gerät.

Hinweis: Diese Informationen erleichtern die Verwendung des Geräts.

Allgemeine Sicherheitshinweise

- Verwenden Sie das Gerät ordnungsgemäß. Eine falsche Verwendung kann zu schweren bis tödlichen Verletzungen führen. Verwenden Sie das Gerät nur für die in dieser Betriebsanleitung aufgeführten Arbeiten. Verwenden Sie das Gerät nicht für andere Aufgaben.
- Beachten Sie die Anweisungen in dieser Bedienungsanleitung. Beachten Sie die Symbole und die Sicherheitshinweise. Die Nichtbeachtung der Anweisungen und Symbole kann zu Verletzungen oder zum Tod führen.
- Werfen Sie diese Bedienungsanleitung nicht weg. Verwenden Sie die Anweisungen für das Zusammensetzen und den Betrieb, und halten Sie Ihr Gerät in gutem Zustand. Befolgen Sie die Anweisungen für die korrekte Installation von Anbaugeräten und Zubehörteilen. Verwenden Sie ausschließlich zugelassene Anbaugeräte und Zubehörteile.
- Verwenden Sie das Gerät nicht, wenn es beschädigt ist. Halten Sie sich an den Wartungsplan. Führen Sie nur diejenigen Wartungsarbeiten aus, die Sie in den

Anweisungen in dieser Bedienungsanleitung finden. Alle sonstigen Wartungsarbeiten müssen von einem autorisierten Service Center durchgeführt werden.

- Diese Bedienungsanleitung kann nicht alle Situationen abdecken, die bei der Verwendung des Geräts auftreten können. Seien Sie immer vorsichtig und arbeiten Sie mit gesundem Menschenverstand. Führen Sie keine Arbeiten mit dem Gerät oder Wartungen am Gerät durch, wenn Sie sich in einer Situation unsicher sind. Wenden Sie sich an einen Produktfachmann, Ihren Fachhändler, Ihren Service Vertreter oder das autorisierte Service Center für weitere Informationen.
- Ziehen Sie den Zündkerzenstecker ab, bevor Sie das Gerät zusammenbauen, einlagern oder warten.
- Verwenden Sie das Gerät nicht, wenn es nicht mehr der ursprünglichen Spezifikation entspricht. Ändern Sie kein Teil des Geräts ohne Genehmigung des Herstellers. Verwenden Sie nur Teile, die vom Gerätehersteller zugelassen sind. Eine falsche Wartung kann zu schweren bis tödlichen Verletzungen führen.
- Atmen Sie die Abgase des Motors nicht ein. Das Einatmen der Motorabgase über längere Zeit kann eine Gefahr für die Gesundheit darstellen.
- Das Gerät sollte nicht im Innenbereich oder in der Nähe von feuergefährlichen Stoffen gestartet werden. Die Abgase sind heiß und können Funken erzeugen, die einen Brand verursachen können. Eine mangelhafte Luftzirkulation kann zu schweren oder tödlichen Verletzungen durch Ersticken oder eine Kohlenmonoxidvergiftung führen.
- Wenn Sie das Gerät nutzen, erzeugt der Motor ein elektromagnetisches Feld. Das elektromagnetische Feld kann medizinische Implantate beschädigen. Sprechen Sie vor der Inbetriebnahme des Geräts mit Ihrem Arzt und dem Hersteller des medizinischen Implantats.
- Lassen Sie nicht zu, dass Kinder das Gerät verwenden. Erlauben Sie nicht, dass Personen ohne Kenntnis der Anweisungen das Gerät bedienen.

- Stellen Sie sicher, dass Personen mit verminderter physischer oder psychischer Leistungsfähigkeit dieses Gerät nicht unbeobachtet verwenden. Es muss immer ein verantwortlicher Erwachsener anwesend sein.
- Verschließen Sie das Gerät in einem Bereich, zum dem Kinder und nicht autorisierte Personen keinen Zugang haben.
- Das Gerät kann Objekte auswerfen und Verletzungen verursachen. Beachten Sie die Sicherheitshinweise, um das Risiko von Verletzungen oder Tod zu verringern.
- Entfernen Sie sich nicht vom Gerät, wenn der Motor eingeschaltet ist.
- Der Bediener des Geräts trägt bei einem Unfall die Verantwortung.
- Überprüfen Sie vor dem Gebrauch das Gerät auf schadhafte Teile.
- Achten Sie vor dem Gebrauch des Geräts darauf, einen Mindestabstand von 15 m von anderen Personen oder von Tieren einzuhalten. Stellen Sie sicher, dass Personen im angrenzenden Bereich wissen, dass Sie das Gerät benutzen.
- Halten Sie sich an nationale und lokale gesetzliche Bestimmungen. Diese können den Betrieb des Geräts unter bestimmten Bedingungen verhindern oder einschränken.
- Verwenden Sie das Gerät nicht, wenn Sie müde sind oder unter Einfluss von Alkohol, Drogen oder Medikamenten stehen, die Ihre Sehkraft, Aufmerksamkeit, Körperkontrolle oder Ihr Urteilsvermögen beeinträchtigen könnten.

- Bediener treffen können. Dadurch können Verletzungen an den Augen entstehen.
- Richten Sie die Ausblasöffnung nicht auf Personen oder Tiere.
- Achten Sie darauf, langes Haar über den Schultern zusammenzubinden.
- Stellen Sie den Motor ab, bevor Sie ein Zubehörteil oder andere Komponenten an- oder abmontieren.
- Benutzen Sie das Gerät nicht, wenn die Abdeckung abmontiert ist.
- Benutzen Sie das Gerät nicht, wenn sich Personen im Arbeitsbereich befinden. Halten Sie das Gerät an, wenn eine Person den Arbeitsbereich betritt.
- Verwenden Sie das Gerät nicht in Räumen mit unzureichender Belüftung. Eine unzureichende Luftzirkulation kann zu schweren oder tödlichen Verletzungen durch Ersticken oder eine Kohlenmonoxidvergiftung führen.
- Der Schalldämpfer wird bei eingeschaltetem Gerät, nach dem Abstellen des Motors und im Leerlauf sehr heiß. Seien Sie in der Nähe von entflammaren Materialien und entzündbaren Dämpfen besonders vorsichtig.
- Berühren Sie nicht den Bereich der Einlassabdeckung. Halten Sie Schmuck und locker herabhängende Kleidungsstücke vom Einlassbereich fern.
- Achten Sie stets auf einen sicheren Stand und benutzen Sie das Gerät nur auf sicheren und ebenen Oberflächen. Rutschige oder instabile Oberflächen wie Leitern können zum Verlust des Gleichgewichts oder der Kontrolle führen.
- Benutzen Sie das Gerät nicht in einem erhöhten Bereich, z. B. auf einem Dach.
- Sichern Sie das Gerät während des Transports.
- Benutzen Sie das Gerät nur zu den empfohlenen Tageszeiten. Beachten Sie die örtlichen Vorschriften. Die üblichen Empfehlungen lauten Montag bis Samstag von 9:00 bis 17:00 Uhr.
- Benutzen Sie das Gerät in der für die zu erledigende Arbeit niedrigsten möglichen Gashebelposition.
- Vermeiden Sie Situationen, in denen Sie fallen könnten, wenn Sie mit dem Gerät arbeiten. Neigen Sie sich nicht bei der Arbeit mit dem Gerät.
- Stellen Sie vor der Inbetriebnahme sicher, dass sich das Gerät in einem guten Zustand befindet. Achten Sie dabei besonders auf den Schalldämpfer sowie den Lufteinlass und den Luftfilter.
- Lösen Sie vor der Inbetriebnahme des Geräts mit einem Rechen oder einem Besen Unrat vom Boden.
- Wenn der Arbeitsbereich verschmutzt ist, bewässern Sie ihn mit einem Schlauch.
- Verwenden Sie das Gerät als Alternative zu einem Wasserschlauch, um Wasser zu sparen.
- Achten Sie beim Blasen von Laub und Schmutz auf Sicherheit. Achten Sie auf Kinder, Tiere, offene Fenster oder Fahrzeuge.

Vibrationen Sicherheit

Dieses Produkt ist nur für den gelegentlichen Einsatz gedacht. Der kontinuierliche oder regelmäßige Betrieb des Geräts kann „Weißfingerkrankheit“ oder entsprechende gesundheitliche Probleme durch Vibrationen verursachen. Untersuchen Sie den Zustand Ihrer Hände und Finger, wenn Sie das Gerät dauerhaft oder in regelmäßigen Abständen bedienen. Wenn Ihre Hände oder Finger Verfärbungen aufweisen, diese sich taub anfühlen oder Sie Schmerzen oder Kribbeln spüren, unterbrechen Sie die Arbeit, und suchen Sie sofort einen Arzt auf.

Sicherheitshinweise für den Betrieb des Laubblasgeräts

- Dieses Produkt ist nur für das Zusammenblasen und Aufsaugen von Laub und sonstigem Unrat auf dem Boden geeignet.
- Arbeiten Sie nicht mit dem Gerät, wenn Sie müde oder krank sind oder Alkohol, Drogen oder Medikamenten zu sich genommen haben.
- Umstehende Personen oder Tiere dürfen sich dem Bediener höchstens auf 15 m nähern.
- Das Gerät kann Gegenstände mit hoher Geschwindigkeit auswerfen, die abprallen und den

- Richten Sie das Gerät nicht auf Pflanzen, die leicht beschädigt werden können.
- Richten Sie das Gerät nicht auf Objekte wie Wände, große Steine, Fahrzeuge und Zäune.
- Richten Sie das Gerät bei der Arbeit an einer Innenecke von der Ecke aus zur Mitte des Arbeitsbereichs hin. Wenn Sie dies nicht beachten, kann Schmutz in Ihr Gesicht gelangen und Augenverletzungen verursachen.
- Nutzen Sie die volle Länge der Blasdüse, so dass der Luftstrom knapp über dem Boden arbeitet.
- Umstehende Personen müssen unbedingt einen Augenschutz tragen.
- Entsorgen Sie Abfälle nach der Benutzung des Geräts in den entsprechenden Abfallbehältern.

Sicherheitshinweise für den Betrieb des Laubsaugers

- Vermeiden Sie Schäden am Lüfter. Saugen Sie keine großen, festen Gegenstände wie Holz, Dosen, Gummimilch oder lange Schnüre auf.
- Achten Sie darauf, dass das Saugrohr nicht den Boden berührt.
- Schalten Sie den Motor ab und trennen Sie die Verbindung zur Zündkappe, bevor Sie eine Blockierung oder Verstopfung entfernen.

Persönliche Schutzausrüstung

- Verwenden Sie immer geeignete persönliche Schutzausrüstung bei der Benutzung des Geräts. Das Tragen persönlicher Schutzausrüstung schließt das Risiko von Verletzungen nicht aus. Das Tragen persönlicher Schutzausrüstung verringert das Ausmaß der Verletzungen bei einem Unfall.
- Tragen Sie immer einen zugelassenen Augenschutz beim Arbeiten mit dem Gerät.
- Arbeiten Sie mit dem Gerät nicht barfuß oder mit offenen Schuhen. Tragen Sie stets robuste und rutschfeste Schuhe.
- Tragen Sie schwere, lange Hosen.
- Tragen Sie bei Bedarf auch zugelassene Schutzhandschuhe.
- Tragen Sie einen Helm, wenn Ihnen Gegenstände auf den Kopf fallen könnten.
- Tragen Sie immer einen zugelassenen Gehörschutz beim Arbeiten mit dem Gerät. Lärmbelastung über einen längeren Zeitraum kann zu lärmbedingten Hörschäden führen.
- Tragen Sie stets eine zugelassene Staubmaske, wenn Sie das Gerät in einer staubigen Umgebung benutzen.
- Vergewissern Sie sich, dass Sie einen Erste-Hilfe-Kasten griffbereit haben.

Schutzvorrichtungen am Gerät

- Achten Sie darauf, das Gerät regelmäßig zu warten.
 - Dies erhöht die Lebensdauer des Geräts.

- Die Gefahr von Unfällen sinkt.

Lassen Sie einen Vertragshändler oder ein autorisiertes Service Center das Gerät regelmäßig überprüfen, um Einstellungen oder Reparaturen vorzunehmen.

- Benutzen Sie kein Gerät mit defekten Schutzvorrichtungen. Wenn das Gerät beschädigt ist, wenden Sie sich an ein autorisiertes Service Center.

Stoppeschalter

Motor starten. Kontrollieren Sie, dass der Motor anhält, wenn Sie den Schalter auf die Stopp-Position stellen.

Schalldämpfer



WARNUNG: Den Schalldämpfer nicht berühren, solange er heiß ist. Der Schalldämpfer ist bei laufendem Motor und direkt nach dem Ausschalten sehr heiß. Wenn Sie mit dem Schalldämpfer in Berührung kommen, kann dies zu Verbrennungen führen.

- Verwenden Sie keinen Motor mit defektem Schalldämpfer. Ein beschädigter Schalldämpfer erhöht den Geräuschpegel und die Brandgefahr. Halten Sie stets einen Feuerlöscher griffbereit.
- Überprüfen Sie regelmäßig, ob der Schalldämpfer mit dem Gerät verbunden ist.
- Berühren Sie den Motor oder den Schalldämpfer nicht, solange der Motor eingeschaltet ist. Warten Sie nach dem Abstellen des Motors eine Weile, bevor Sie den Motor oder den Schalldämpfer berühren. Heiße Oberflächen können zu Verletzungen führen.
- Ein heißer Schalldämpfer kann einen Brand verursachen. Seien Sie vorsichtig, wenn Sie das Gerät in der Nähe von entzündlichen Flüssigkeiten oder Gasen verwenden.
- Berühren Sie keine Teile im Schalldämpfer, wenn der Schalldämpfer beschädigt ist. Diese Teile können krebserregende Stoffe enthalten.
- Einige Modelle des Laubblasgeräts verfügen über einen Funkschutz. Reinigen und ersetzen Sie den Funkschutz in den entsprechenden Intervallen. Siehe Abschnitt „Wartung“ (*WARTUNG auf Seite 65*).

Sicherer Umgang mit Kraftstoff

- Starten Sie das Gerät nicht, wenn sich Kraftstoff oder Öl darauf befindet. Entfernen Sie den unerwünschten Kraftstoff bzw. das Öl, und lassen Sie das Gerät trocknen. Entfernen Sie unerwünschten Kraftstoff aus dem Gerät.
- Wechseln Sie sofort die Kleidung, wenn Sie Kraftstoff darauf verschüttet haben.

- Lassen Sie keinen Kraftstoff auf Ihren Körper gelangen, denn dies kann zu Verletzungen führen. Wenn Kraftstoff auf Ihre Haut gelangt, waschen Sie diesen mit Wasser und Seife ab.
- Starten Sie den Motor niemals, wenn Sie Öl oder Kraftstoff auf das Gerät oder auf Ihren Körper verschüttet haben.
- Starten Sie das Gerät nicht, wenn der Motor undicht ist. Überprüfen Sie den Motor regelmäßig auf Undichtigkeiten.
- Gehen Sie vorsichtig mit Kraftstoff um. Kraftstoff ist feuergefährlich, und die Dämpfe sind explosiv und können zu Verletzungen oder sogar zum Tod führen.
- Atmen Sie die Kraftstoffdämpfe nicht ein, denn sie sind gesundheitsschädigend. Achten Sie auf ausreichende Belüftung.
- Rauchen Sie nicht in der Nähe des Kraftstoffs oder des Motors.
- Stellen Sie keine heißen Gegenstände in der Nähe des Kraftstoffs oder Motors ab.
- Füllen Sie keinen Kraftstoff nach, während der Motor läuft.
- Vergewissern Sie sich, dass der Motor abgekühlt ist, bevor Sie Kraftstoff nachfüllen.
- Öffnen Sie vor dem Nachfüllen den Tankdeckel langsam, und lassen Sie den Druck vorsichtig entweichen.
- Füllen Sie keinen Kraftstoff in den Motor, wenn Sie sich in einem Innenraum befinden. Eine mangelhafte Luftzirkulation kann zu schweren oder tödlichen Verletzungen durch Ersticken oder eine Kohlenmonoxidvergiftung führen.
- Drehen Sie den Tankdeckel sorgfältig zu, da ansonsten Brandgefahr besteht.
- Stellen Sie das Gerät vor dem Einschalten in einem Abstand von mindestens 3 m von der Stelle auf, wo Sie den Tank befüllt haben.

- Überfüllen Sie den Kraftstofftank nicht.
- Stellen Sie sicher, dass kein Kraftstoff austreten kann, wenn Sie das Gerät oder den Kraftstoffbehälter transportieren.
- Bringen Sie weder das Gerät noch einen Kraftstoffbehälter in Bereiche mit offenem Feuer, Funkenbildung oder Zündflammen. Stellen Sie sicher, dass sich im Lagerbereich keine offene Feuerquelle befindet.
- Verwenden Sie nur zugelassene Behälter, wenn Sie den Kraftstoff transportieren oder einlagern.
- Leeren Sie den Kraftstofftank, bevor Sie das Gerät für längere Zeit einlagern. Entsorgen Sie den Kraftstoff an Orten, die durch die lokalen gesetzlichen Bestimmungen dafür vorgesehen sind.
- Reinigen Sie das Gerät, bevor Sie es für längere Zeit einlagern.
- Ziehen Sie das Zündkerzenkabel ab, bevor Sie das Gerät einlagern, um sicherzustellen, dass der Motor nicht unbeabsichtigt starten kann.

Sicherheitshinweise für die Wartung



WARNUNG: Fehlerhafte Wartung kann zu schwerwiegenden Geräteschäden oder zu ernsthaften Verletzungen führen.

Der Eigentümer ist dafür verantwortlich, dass das Gerät entsprechend den Wartungsanweisungen der Bedienungsanleitungen gewartet wird. Ziehen Sie vor der Wartung die Zündkerze des Antriebsmotors ab. Entfernen Sie die Zündkerze nicht, bevor Sie den Vergaser einstellen.

MONTAGE



WARNUNG: Lesen Sie vor dem Zusammensetzen des Geräts das Kapitel über Sicherheit.

5. Drehen Sie die Schraube mit einem Schraubenzieher im Uhrzeigersinn, um das Rohr zu befestigen.

So installieren Sie das untere Blasrohr

1. Richten Sie die Schlitz auf dem unteren Blasrohr (A) mit den Laschen auf dem oberen Blasrohr (B) aus. (Abb. 26)
2. Schieben Sie das untere Blasrohr vollständig auf das obere Blasrohr.
3. Drehen Sie das untere Blasrohr vollständig, bis die Lasche am Ende des Schlitzes einrastet. (Abb. 27)

So installieren Sie das obere Blasrohr

1. Richten Sie den Schlitz auf dem oberen Blasrohr (A) mit der Lasche im Blasauslass (B) aus. (Abb. 23)
2. Schieben Sie das obere Blasrohr vollständig auf den Blasauslass.
3. Drehen Sie das obere Blasrohr, bis die Öffnung im Rohr mit den Gewinden in der Mutter im Blasauslass ausgerichtet ist. (Abb. 24)
4. Installieren Sie die Schraube (C). (Abb. 25)

So installieren Sie das VX™ Blasrohr

1. Richten Sie die Schlitzte auf dem VX™ Blasrohr (A) mit den Laschen auf dem oberen Blasrohr (B) aus. (Abb. 28)
2. Schieben Sie das VX™ Blasrohr vollständig auf das obere Blasrohr.
3. Drehen Sie das VX™ Blasrohr vollständig, bis die Lasche am Ende des Schlitzes einrastet. (Abb. 29)

So installieren Sie das obere Saugrohr

1. Führen Sie die Spitze eines Schraubendrehers in den Bereich der Lasche der Ansaugöffnung ein. (Abb. 30)
2. Kippen Sie den Griff des Schraubendrehers vorsichtig zur Vorderseite des Geräts, um die Verriegelung zu lösen.
3. Halten Sie den Deckel der Ansaugöffnung offen, bis das obere Saugrohr richtig sitzt. (Abb. 31)
4. Richten Sie die Rippe auf der Innenseite der Ansaugöffnung mit den Schlitzten auf dem oberen Saugrohr aus.

Hinweis: Richten Sie die Anzeigen an der Ansaugöffnung und auf dem oberen Saugrohr aus.

5. Drücken Sie das obere Saugrohr vollständig in die Ansaugöffnung.

6. Drehen Sie das obere Saugrohr vollständig im Uhrzeigersinn, bis Sie ein Klicken hören. (Abb. 32)

So installieren Sie das untere Saugrohr

1. Richten Sie den Schlitz auf dem unteren Saugrohr mit der Lasche auf dem oberen Saugrohr aus.
2. Schieben Sie das untere Saugrohr vollständig auf das obere Saugrohr, bis die Lasche am Ende des Schlitzes einrastet. (Abb. 33)
3. Installieren Sie die Schraube.
4. Drehen Sie die Schraube mit einem Schraubenzieher im Uhrzeigersinn, um das Rohr zu befestigen. (Abb. 34)

So installieren Sie das Fangsackrohr

1. Richten Sie den Schlitz auf dem Fangsackrohr (A) mit der Lasche im Blausauslass (B) aus. (Abb. 35)
2. Schieben Sie das Fangsackrohr vollständig auf den Blausauslass.
3. Drehen Sie das Fangsackrohr, bis die Öffnung im Rohr mit den Gewinden in der Mutter im Blausauslass ausgerichtet ist. (Abb. 36)
4. Installieren Sie die Schraube (C).
5. Drehen Sie die Schraube mit einem Schraubenzieher im Uhrzeigersinn, um das Rohr zu befestigen. (Abb. 37)

BETRIEB



WARNUNG: Lesen Sie vor der Nutzung des Geräts das Kapitel über Sicherheit, und machen Sie sich damit vertraut.

10 % (E10). Dies kann das Gerät beschädigen.

Kraftstoff

So verwenden Sie den Kraftstoff



ACHTUNG: Dieses Gerät hat einen Zweitaktmotor. Verwenden Sie eine Mischung aus Benzin und Zweitakt-Motoröl. Stellen Sie sicher, dass Sie die korrekte Menge an Öl für das Gemisch verwenden. Ein falsches Verhältnis von Benzin und Öl kann zu Schäden am Motor führen.

- Verwenden Sie immer frisches bleifreies Benzin mit einer Oktanzahl von mindestens 90 RON (87 AKI) und einer Ethanolkonzentration unter 10 % (E10).
- Verwenden Sie Benzin mit einer höheren Oktanzahl, wenn Sie das Gerät häufig und bei kontinuierlich hoher Motordrehzahl verwenden.

Öl für Zweitaktmotoren

- Verwenden Sie ausschließlich qualitativ hochwertiges Zweitakt-Motoröl. Verwenden Sie nur ein luftgekühltes Motoröl.
- Verwenden Sie keine anderen Arten von Öl.
- Mischungsverhältnis 50:1 (2 %)

Benzin



ACHTUNG: Verwenden Sie kein Benzin mit einer geringeren Oktanzahl als 90 RON (87 AKI). Dies kann das Gerät beschädigen.



ACHTUNG: Verwenden Sie kein Benzin mit einer höheren Ethanolkonzentration als

Benzin	Öl
1 US gal	77 ml
1 UK gal	95 ml
5 l	100 ml

So stellen Sie das Kraftstoffgemisch her

Hinweis: Verwenden Sie zum Mischen der Kraftstoffs immer einen sauberen Kraftstoffbehälter.

Hinweis: Bereiten Sie keine größere Menge Gemisch zu, als Sie für 30 Tage benötigen.

1. Fügen Sie die Hälfte des Benzins hinzu.
2. Fügen Sie die gesamte Menge Öl hinzu.
3. Schütteln Sie das Kraftstoffgemisch, um die Anteile zu vermengen.
4. Setzen Sie die restliche Menge Benzin hinzu.
5. Schütteln Sie das Kraftstoffgemisch, um die Anteile zu vermengen.
6. Füllen Sie es in den Kraftstofftank.

So füllen Sie Kraftstoff nach

- Verwenden Sie immer einen Kraftstoffbehälter mit einem Überfüllungsschutz.
- Wenn sich noch Kraftstoff auf dem Behälter befindet, entfernen Sie diesen und lassen Sie den Behälter trocknen.
- Stellen Sie sicher, dass der Bereich um den Tankverschluss sauber ist.
- Schütteln Sie den Kraftstoffbehälter, bevor Sie das Kraftstoffgemisch in den Kraftstofftank einfüllen.

Starten und stoppen

Vor dem Starten des Motors

- Untersuchen Sie das Gerät auf fehlende, beschädigte, lose oder abgenutzte Teile.
- Überprüfen Sie den Fangsack. Stellen Sie sicher, dass der Fangsack nicht beschädigt ist und dass der Reißverschluss geschlossen ist.
- Überprüfen Sie die Muttern, Schrauben und Bolzen.
- Überprüfen Sie den Luftfilter.
- Überprüfen Sie den Gashebel auf korrekte Funktion.
- Überprüfen Sie den Stoppschalter auf korrekte Funktion.
- Untersuchen Sie das Gerät auf austretenden Kraftstoff.

So starten Sie bei kaltem Motor



WARNUNG: Wickeln Sie das Starterseil nicht um Ihren Arm.



ACHTUNG: Halten Sie das Gerät nicht mit dem Fuß.



ACHTUNG: Ziehen Sie das Startseil nicht bis zum Anschlag heraus. Lassen Sie den Starthandgriff nicht los, wenn das Startseil vollständig ausgezogen ist. Dies kann das Gerät beschädigen.

Hinweis: Wenn der Motor stoppt, bewegen Sie den Chokehebel in die geschlossene Stellung und führen Sie die Schritte zum Starten erneut durch.

1. Füllen Sie den Kraftstofftank mit einer sauberen Kraftstoffmischung.
2. Drücken Sie den Gerätekörper mit der linken Hand gegen den Boden. Stellen Sie sicher, dass das Ende des Laubblasgeräts nicht auf Personen, Tiere, Glas und feste Gegenstände weist.
3. Drücken Sie langsam 10-mal auf die Kraftstoffpumpe.
4. Bewegen Sie den Chokehebel in die Position FULL CHOKE (DROSSELKAPPE GANZ GEÖFFNET).
5. Drücken Sie den Drosseltrigger zusammen und halten Sie ihn so
6. Ziehen Sie kurz und schnell am Startseilgriff (jedoch nicht mehr als 3-mal), bis der Motor anspringt.

Hinweis: Wenn die Temperatur unter 4 °C liegt, ziehen Sie weiter am Startseilgriff, bis der Motor anspringt.

7. Bewegen Sie den Chokehebel in die Position HALF CHOKE (DROSSELKAPPE HALB GEÖFFNET).
8. Ziehen Sie kurz am Startseilgriff, bis der Motor läuft.
9. Lassen Sie den Motor 10 Sekunden lang laufen.
10. Bewegen Sie den Chokehebel in die Position NO CHOKE (DROSSELKAPPE GESCHLOSSEN).

So starten Sie einen warmen Motor

1. Drücken Sie langsam 10-mal auf die Kraftstoffpumpe.
2. Bewegen Sie den Chokehebel in die Position HALF CHOKE (DROSSELKAPPE HALB GEÖFFNET).
3. Ziehen Sie kurz am Startseilgriff, bis der Motor läuft.
4. Bewegen Sie den Chokehebel in die Position NO CHOKE (DROSSELKAPPE GESCHLOSSEN).

Einen Motor mit Dampfblasenbildung starten

Dampfblasenbildung tritt auf, wenn der Kraftstoff in der Kraftstoffleitung oder im Vergaser aufgrund der erhöhten Wärme verdampft.

Im Gerät haben sich möglicherweise Dampfblasen gebildet, wenn es sich bei Umgebungstemperaturen von 35 °C nicht anlassen lässt, nachdem es zwischen 15 und 45 Minuten abgeschaltet war.

1. Drücken Sie die Kraftstoffpumpe wiederholt 10-15 Sekunden.

2. Bewegen Sie den Chochebel in die Position HALF CHOKE (DROSSELKAPPE HALB GEÖFFNET).
3. Ziehen Sie kurz am Startseilgriff, bis der Motor läuft.
4. Lassen Sie den Motor 3 Minuten im Leerlauf warmlaufen.
5. Bewegen Sie den Chochebel in die Position NO CHOKE (DROSSELKAPPE GESCHLOSSEN).

So schalten Sie den Motor aus

- Drücken Sie den AUS-SCHALTER (STOP) des Motors. Der Schalter kehrt automatisch in die Position ON (Ein) zurück. Warten Sie 7 Sekunden, bevor Sie das Gerät erneut starten, um sicherzustellen, dass der Schalter zurückgesetzt ist.

So stellen Sie das VX Blasrohr ein™ Blasrohr

1. Richten Sie den richtigen Schlitz (A oder B) auf dem äußeren VX™ Blasrohr mit der Lasche (C) auf dem inneren Rohr aus. (Abb. 38)

Hinweis: Sie können den Schlitz nicht sehen, wenn die Rohre montiert sind. Sie müssen die Position der Lasche beim Bewegen des äußeren Rohrs spüren.

Hinweis: Rasten Sie die Lasche in Position „A“ ein, um eine große Blasöffnung zu erhalten. Eine große Blasöffnung bewegt große Mengen von trockenem Laub und anderen unerwünschten Materialien. Rasten Sie die Lasche in Position „B“ ein, um eine kleine Blasöffnung zu erhalten. Eine kleine Blasöffnung erzeugt einen schnelleren Luftstrom zum Reinigen von Rissen und Kanten sowie zum Bewegen von schweren Materialien wie feuchtem Laub.

2. Drehen Sie das äußere Rohr wie abgebildet, um die Lasche aus dem Schlitz zu lösen. (Abb. 39)
3. Bewegen Sie das äußere Rohr entlang des inneren Rohrs, um die Position zu ändern. (Abb. 40)
4. Drehen Sie das äußere Rohr wie abgebildet, bis die Lasche am Ende der richtigen Schlitzposition vollständig einrastet. (Abb. 41)

Betriebsposition

- Laubblasgerät (Abb. 42)
- Sauger (Abb. 43)

Saugen

Legen Sie vor dem Saugen die erforderliche Sicherheitsausrüstung an.



WARNUNG: Stellen Sie vor Benutzung des Geräts sicher, dass der Fangsack nicht beschädigt ist und dass der Reißverschluss geschlossen ist. Verwenden Sie keinen Fangsack, der beschädigt ist. Dies verhindert Verletzungen durch umherfliegende Teile. Eine linkshändige Bedienung erhöht das Risiko. Berühren Sie nicht den Auslassbereich des Luftstroms.



WARNUNG: Starten Sie das Laubblasgerät nicht, wenn die Einlassabdeckung geöffnet oder beschädigt ist (außer, wenn das Saugrohr eingesetzt ist).

- Während Benutzung des Laubblasgeräts muss der Fangsack mit dem Schultergurt getragen werden. Der Traggurt muss über die Schulter gelegt werden.
- Starten Sie das Laubblasgerät. Befolgen Sie die Anweisungen des Abschnitts „So starten und stoppen Sie den Motor“ *Starten und stoppen auf Seite 64*. Lesen Sie die Sicherheitsvorschriften *SICHERHEIT auf Seite 59* gründlich durch.

Entleeren des Fangsacks



WARNUNG: Überprüfen Sie den Fangsack regelmäßig. Stellen Sie vor Benutzung des Geräts sicher, dass der Fangsack nicht beschädigt ist und dass der Reißverschluss geschlossen ist. Verwenden Sie den Fangsack nicht, wenn er beschädigt ist. Es besteht Verletzungsgefahr durch herausgeschleuderten Abfall. Gehen Sie bei linkshändiger Bedienung vorsichtig vor. Berühren Sie nicht den Auslassbereich des Luftstroms.

1. Halten Sie das Gerät an.
2. Öffnen Sie den Reißverschluss an der Seite.
3. Leeren Sie den Fangsack.
4. Schließen Sie den Reißverschluss.

WARTUNG



WARNUNG: Lesen Sie vor dem Reinigen, Reparieren oder Warten des Geräts das Kapitel über Sicherheit, und machen Sie sich damit vertraut.

Wartungsplan

Achten Sie darauf, den Wartungsplan einzuhalten. Die Wartungsintervalle werden anhand der täglichen Nutzung des Gerätes berechnet. Wenn Sie nicht jeden Tag mit dem Gerät arbeiten, sind die Intervalle anders. Führen Sie nur diejenigen Wartungsarbeiten aus, die

Sie in den Anweisungen in dieser Bedienungsanleitung finden. Wenden Sie sich bezüglich anderer Wartungsarbeiten, die in dieser Betriebsanleitung nicht aufgeführt sind, an ein autorisiertes Service Center.

Tägliche Wartung

- Reinigen Sie die Außenflächen.
- Überprüfen Sie die Drehzahlregelung und die ordnungsgemäße Funktion des Gashebels. Ersetzen Sie die beschädigten Teile.
- Überprüfen Sie den Stoppschalter. Tauschen Sie diesen ggf. aus.
- Überprüfen Sie die Leerlaufdrehzahl.
- Reinigen Sie den Luftfilter. Tauschen Sie diesen ggf. aus.
- Stellen Sie sicher, dass die Einlassabdeckung in geschlossener Position verriegelt werden kann. Achten Sie darauf, dass das Lüfterrad sauber ist.
- Ziehen Sie alle Muttern und Schrauben an.
- Stellen Sie sicher, dass das Gehäuse keine Risse aufweist.
- Stellen Sie sicher, dass der Fangsack nicht beschädigt ist und dass der Reißverschluss funktioniert. Tauschen Sie den Fangsack ggf. aus.

Wöchentliche Wartung

- Überprüfen Sie den Zustand der Startvorrichtung, des Startseils und der Spannfeder. Ersetzen Sie beschädigte Teile.
- Überprüfen Sie den Zustand des Lufteinlasses an der Startvorrichtung. Entfernen Sie Ablagerungen, wenn der Lufteinlass verstopft ist.
- Reinigen Sie die Zündkerze äußerlich. Demontieren Sie die Zündkerze und prüfen Sie den Elektrodenabstand. Stellen Sie den Elektrodenabstand auf 6 mm ein oder tauschen Sie die Zündkerze aus.
- Reinigen Sie die Blätter des Lüfterrads.
- Reinigen Sie den Funkenschutz und ersetzen Sie ihn bei Bedarf (nicht bei Schalldämpfern mit Katalysator).
- Reinigen Sie den Vergaserbereich.
- Reinigen Sie den Luftfilter.

Monatliche Wartung

- Überprüfen Sie den Starthandgriff und das Startseil.
- Den Kraftstofftank reinigen.
- Reinigen Sie den Vergaser und den Bereich drum herum.
- Reinigen Sie die Blätter des Lüfterrads.
- Prüfen Sie die Kraftstoffleitungen auf Risse oder andere Beschädigungen. Bei Bedarf austauschen
- Tauschen Sie den Kraftstofffilter im Tank aus.
- Kontrollieren Sie alle Kabel und Anschlüsse.
- Die Zündkerze austauschen.
- Wechseln Sie den Luftfilter aus.

Jährliche Wartung

- Überprüfen Sie die Zündkerze.
- Reinigen Sie die Außenflächen des Vergasers und die angrenzenden Bereiche.
- Reinigen Sie das Kühlsystem.
- Überprüfen Sie den Funkenschutz.
- Überprüfen Sie den Kraftstofffilter.
- Untersuchen Sie den Kraftstoffschlauch auf Beschädigung.
- Kontrollieren Sie alle Kabel und Anschlüsse.

Wartung alle 50 Stunden

- Wenden Sie sich an ein autorisiertes Service Center für die Instandsetzung oder den Austausch des Schalldämpfers.

So stellen Sie die Leerlaufdrehzahl ein

Stellen Sie sicher, dass der Luftfilter sauber ist und der Luftfilterdeckel befestigt wurde, bevor Sie die Leerlaufdrehzahl einstellen.

Stellen Sie die Leerlaufdrehzahl mit der Leerlaufstellschraube ein. (Abb. 44)

Die Leerlaufdrehzahl ist richtig eingestellt, wenn der Motor in allen Stellungen gleichmäßig läuft.

1. Drehen Sie die Einstellschraube im Uhrzeigersinn für höhere Leistung.
2. Drehen Sie die Einstellschraube gegen den Uhrzeigersinn für geringere Leistung.

So warten Sie den Funkenschutz

Reinigen Sie den Funkenschutz mit einer Drahtbürste.

So reinigen Sie das Kühlsystem

Reinigen Sie die Teile des Kühlsystems mit einer Bürste.

So überprüfen Sie die Zündkerze



ACHTUNG: Verwenden Sie stets den vom Hersteller empfohlenen Zündkerzentyp! Die Verwendung eines falschen Zündkerzentyps kann zu Schäden am Gerät führen.

- Überprüfen Sie die Zündkerze, wenn der Motor nur schwache Leistung bringt, sich nur schwer starten lässt oder im Leerlauf nicht ordnungsgemäß funktioniert.
- Wenn Sie diese Anweisungen befolgen, verringern Sie die Gefahr von unerwünschtem Material an den Elektroden der Zündkerze:
 - a) Stellen Sie sicher, dass die Leerlaufdrehzahl richtig eingestellt ist.
 - b) Vergewissern Sie sich, dass das Kraftstoffgemisch korrekt ist.

- c) Vergewissern Sie sich, dass der Luftfilter sauber ist.
 - Ist die Zündkerze verschmutzt, so ist sie zu reinigen; gleichzeitig ist zu prüfen, ob der Elektrodenabstand korrekt ist. Siehe *TECHNISCHE DATEN auf Seite 67*. (Abb. 45)
 - Ersetzen Sie die Zündkerze bei Bedarf.
2. Reinigen Sie den Luftfilter mit warmer Seifenlauge. Achten Sie darauf, dass der Luftfilter trocken ist, bevor Sie ihn wieder einbauen.
 3. Tauschen Sie den Luftfilter aus, falls er für eine Reinigung zu stark verschmutzt ist. Tauschen Sie einen beschädigten Luftfilter unbedingt aus.
 4. Wenn sich in Ihrem Gerät ein Luftfilter aus Schaumstoff befindet, tragen Sie Luftfilteröl auf. Verwenden Sie Luftfilteröl ausschließlich bei Schaumstofffiltern. Tragen Sie auf keinen Fall Öl auf einen Filzfilter auf.

So warten Sie den Luftfilter

Reinigen des Luftfilters

1. Nehmen Sie Luftfilterdeckel und Luftfilter ab.

TECHNISCHE DATEN

	Einheit	GBV 322 (GHB28VPR)	GBV 322VX (GHB28VPR)
Technische Daten des Motors			
Hubraum	cm ³	26	26
Elektrodenabstand	mm	0,6	0,6
Kraftstofftankinhalt	cm ³	500	500
Leerlaufdrehzahl	min ⁻¹	2800 - 3200	2800 - 3200
Maximale Motorleistung	min ⁻¹	8000	8000
Ausgangsleistung	kW	0,8	0,8
Zündkerze		Champion RCJ-6Y	Champion RCJ-6Y
Maximale Geschwindigkeit im Blasmodus	min ⁻¹	8600	8600
Maximale Geschwindigkeit im Saugmodus	min ⁻¹	--	7500
Emissions-Dauerhaltbarkeitsperiode	h	50	50
Lärm- und Vibrationsdaten			
Äquivalenter Vibrationspegel an Griffen mit Blasrohren und Düse (Original) - siehe Hinweis 1	m/s ²	7,5	7,5
Äquivalenter Vibrationspegel an Griffen mit Saugrohren (Original), links/rechts - siehe Hinweis 1	m/s ²	7,4	7,4
Äquivalenter Schalldruckpegel am Ohr des Anwenders, gemessen gemäß ISO 22868, ausgestattet mit Blasrohren und Düse (Original) - siehe Hinweis 3	dB(A)	95,6	95,6
Schalleistungspegel, garantiert (L _{WA}) - siehe Hinweis 2	dB(A)	112	112
Schalleistungspegel, gemessen - siehe Hinweis 2	dB(A)	109	109
Produktabmessungen			
Gewicht	kg	4,4	4,5

	Einheit	GBV 322 (GHB28VPR)	GBV 322VX (GHB28VPR)
Hinweis 1: Berichten zufolge liegt der äquivalente Vibrationspegel normalerweise bei einer Ausbreitungsklasse (Standardabweichung) von 1,5 m/s ² .			
Hinweis 2: Umweltbelastende Geräuschemissionen, gemessen als Schalleistung (L _{WA}) gemäß EG-Richtlinie 2000/14/EG. Der aufgezeichnete Lautstärkepegel für die Maschine wurde unter Verwendung der originalen Ausrüstung mit dem höchsten Pegel gemessen. Die Differenz zwischen garantiertem und gemessenem Schalleistungspegel besteht darin, dass beim garantierten Schalleistungspegel auch eine Streuung im Messergebnis und Variationen zwischen verschiedenen Geräten desselben Modells gemäß der Richtlinie 2000/14/EG berücksichtigt werden.			
Hinweis 3: Berichten zufolge liegt der Schalldruckpegel für dieses Gerät normalerweise bei einer Ausbreitungsklasse (Standardabweichung) von 3 dB(A).			

Rotor	Einheit	GBV 322	GBV 322VX
Typ		Radialgebläse	Radialgebläse
Max. Luftgeschwindigkeit, Standardblasdüse	km/h	322	-
Max. Luftgeschwindigkeit, VX™ Blasrohr*	km/h	-	370
Luftvolumen im Blasmodus	cfm	370	450
Luftvolumen im Saugmodus	cfm	490	490
Mulchverhältnis		10:1	16:1
*optionales Zubehör			

INHALT DER EU-KONFORMITÄTSERKLÄRUNG

Wir, Husqvarna AB, SE 561 82 Huskvarna, SCHWEDEN, erklären in alleiniger Verantwortung, dass das Gerät Folgendem genügt:

Beschreibung	Benzin-Laubblasgerät/ Laubsauger
Marke	McCulloch
Plattform/Typ/Modell	Plattform GHB28VPR, steht stellvertretend für die Modelle GBV 322, GBV 322VX
Charge	Seriennummer ab Baujahr 2018

Es erfüllt die folgenden EU-Vorschriften und -Richtlinien:

Richtlinie/Verordnung	Beschreibung
2006/42/EG	„Über Maschinen“
2014/30/EG	EMV-Richtlinie

Richtlinie/Verordnung	Beschreibung
2000/14/EG	„über umweltbelastende Geräuschemissionen“

Harmonisierte Normen und/oder technische Spezifikationen gelten wie folgt: EN ISO 12100, EN 15503, CISPR 12, ISO 14982

Die im Abschnitt „Technische Daten“ in dieser Bedienungsanleitung und in der signierten EU-Konformitätserklärung angegebenen Schallwerte entsprechen der EU-Richtlinie 2000/14/EG, Anhang V.

Der TÜV Rheinland N.A. führte im Auftrag von Husqvarna AB eine freiwillige Typenprüfung durch und stellte eine Konformitätsbescheinigung nach EG-Richtlinie 2006/42/EG für Maschinen aus.

Das Zertifikat, wie auf der unterzeichneten EU-Konformitätserklärung angegeben, gilt für alle Fertigungsstandorte und Ursprungsländer, wie auf dem Gerät angegeben.

Das gelieferte Benzin-Laubblasgerät/der Laubsauger entspricht dem Exemplar, das der EU-Typenprüfung unterzogen wurde.

Περιεχόμενα

ΕΙΣΑΓΩΓΗ.....	70	ΣΥΝΤΗΡΗΣΗ.....	78
ΑΣΦΑΛΕΙΑ.....	71	ΤΕΧΝΙΚΑ ΣΤΟΙΧΕΙΑ.....	79
ΣΥΝΑΡΜΟΛΟΓΗΣΗ.....	74	ΠΕΡΙΕΧΟΜΕΝΑ ΤΗΣ ΔΗΛΩΣΗΣ	
ΛΕΙΤΟΥΡΓΙΑ.....	75	ΣΥΜΜΟΡΦΩΣΗΣ ΕΚ.....	80

ΕΙΣΑΓΩΓΗ

Εγχειρίδιο χρήσης

Η αρχική γλώσσα του παρόντος εγχειριδίου χρήσης είναι τα Αγγλικά. Τα εγχειρίδια χρήσης σε άλλες γλώσσες είναι μεταφράσεις από τα Αγγλικά.

Επισκόπηση

(Εικ. 1)

1. Μάντας ώμου
2. Πλήκτρο γκαζιού
3. Διακόπτης διακοπής λειτουργίας
4. Αυτόματος πιλότος
5. Περιβλημα φτερωτής
6. Τάπα ντεπόζιτου καυσίμου
7. Φίλτρο αέρα
8. Χειριστήριο τσοκ
9. Φούσκα πλήρωσης
10. Κάλυμμα εισαγωγής
11. Λαβή αναρρόφησης
12. Λεπίδα κοπής χορτολιπάσματος (GBV 322VX)
13. Φτερωτή
14. Κάτω σωλήνας φυσητήρα (GBV 322)
15. Σωλήνας φυσητήρα™ VX (GBV 322VX)
16. Επάνω σωλήνας φυσητήρα
17. Βίδα
18. Εξάτμιση (σιγαστήρας)
19. Καλώδιο γείωσης
20. Λαβή εκκίνησης
21. Συσκευή εκκίνησης
22. Χειρολαβή
23. Πολυεργαλείο
24. Σωλήνας σάκου συλλογής
25. Σάκος συλλογής
26. Σωλήνας αναρρόφησης δύο τμημάτων
27. Βίδα
28. Εγχειρίδιο χρήσης

Σύμβολα στο προϊόν

(Εικ. 2) Προειδοποίηση

(Εικ. 3) Διαβάστε το παρόν εγχειρίδιο

(Εικ. 4) Να χρησιμοποιείτε εγκεκριμένα προστατευτικά κεφαλής

(Εικ. 5) Να χρησιμοποιείτε εγκεκριμένα προστατευτικά ακοής

(Εικ. 6) Χρησιμοποιείτε εγκεκριμένα μέσα προστασίας των ματιών (ANSI Z87.1 ή ισοδύναμα)

(Εικ. 7) Χρησιμοποιήστε εγκεκριμένες μπότες προστασίας και γάντια

(Εικ. 8) Φοράτε μακριά μανίκια και παντελόνια

(Εικ. 9) Μην φοράτε κοσμήματα όταν χειρίζεστε το προϊόν.

(Εικ. 10) Χρησιμοποιήστε το άκρο του κατασβιδιού για να απελευθερώσετε την ασφάλεια.

(Εικ. 11) Μην χρησιμοποιήσετε τη συσκευή για να μαζέψετε πέτρες, χαλίκια, μέταλλα, σπασμένα γυαλιά, υπολείμματα ελαστικών ή άλλα υλικά που μπορεί να προκαλέσουν ζημιά στη φτερωτή.

(Εικ. 12) Το προϊόν μπορεί να προκαλέσει την εκσφενδόνιση αντικειμένων, τα οποία μπορούν να προκαλέσουν βλάβη στα μάτια

(Εικ. 13) Μην πλησιάζετε στη φτερωτή ενώ περιστρέφεται

(Εικ. 14) Πλήρες τσοκ

(Εικ. 15) Μισό τσοκ

(Εικ. 16) Χωρίς τσοκ

(Εικ. 17) Βεβαιωθείτε ότι εάν έχετε μακριά μαλλιά, βρίσκονται πάνω από τους ώμους σας.

(Εικ. 18) Απόσταση ασφαλείας

- (Εικ. 19) Εγγυημένη στάθμη ηχητικής ισχύος
Το προϊόν συμμορφώνεται με τις ισχύουσες
(Εικ. 20) οδηγίες ΕΚ.
Το προϊόν συμμορφώνεται με τις ισχύουσες
(Εικ. 21) οδηγίες ΕΑC.
Το προϊόν συμμορφώνεται με τις ισχύουσες
(Εικ. 22) οδηγίες Ουκρανίας.

ακυρώνει την έγκριση τύπου ΕΕ αυτού του προϊόντος.

Ευθύνη προϊόντος

Όπως αναφέρεται στη νομοθεσία περί ευθύνης για τα προϊόντα, δεν φέρουμε καμία ευθύνη για ζημιές που οφείλονται στο προϊόν μας εάν:

- Το προϊόν έχει επισκευαστεί λανθασμένα.
- Το προϊόν έχει επισκευαστεί με εξαρτήματα που δεν προέρχονται από τον κατασκευαστή ή που δεν έχουν εγκριθεί από τον κατασκευαστή.
- Το προϊόν διαθέτει ένα αξεσουάρ που δεν προέρχεται από τον κατασκευαστή ή που δεν έχει εγκριθεί από τον κατασκευαστή.
- Το προϊόν δεν έχει επισκευαστεί σε εγκεκριμένο κέντρο σέρβις ή από εγκεκριμένη αρχή.

Περιεχόμενα Άλλα σύμβολα/σήματα που υπάρχουν στο προϊόν αναφέρονται σε απαιτήσεις πιστοποίησης για άλλες εμπορικές περιοχές.

ΕΥ V



ΠΡΟΕΙΔΟΠΟΙΗΣΗ: Οποιαδήποτε μη εξουσιοδοτημένη παρέμβαση στον κινητήρα

ΑΣΦΑΛΕΙΑ

Ορισμοί για την ασφάλεια

Οι παρακάτω ορισμοί παρέχουν το βαθμό σοβαρότητας για κάθε προειδοποιητική λέξη.



ΠΡΟΕΙΔΟΠΟΙΗΣΗ: Τραυματισμός ατόμων.



ΠΡΟΣΟΧΗ: Ζημιά του προϊόντος.

Περιεχόμενα Αυτές οι πληροφορίες διευκολύνουν τη χρήση του προϊόντος.

Γενικές οδηγίες ασφαλείας

- Χρησιμοποιήστε σωστά το προϊόν. Λόγω της εσφαλμένης χρήσης μπορεί να προκληθεί τραυματισμός ή θάνατος. Χρησιμοποιήστε το προϊόν μόνο για τις εργασίες που αναφέρονται στο παρόν εγχειρίδιο. Μην χρησιμοποιείτε το προϊόν για άλλες εργασίες.
- Τηρείτε τις οδηγίες του παρόντος εγχειριδίου. Τηρείτε τα σύμβολα ασφαλείας και τις οδηγίες ασφαλείας. Εάν ο χειριστής δεν τηρεί τις οδηγίες και τα σύμβολα, μπορεί να προκληθεί τραυματισμός, ζημιά ή θάνατος.
- Μην απορρίψετε αυτό το εγχειρίδιο. Χρησιμοποιήστε τις οδηγίες για τη συναρμολόγηση, τη χρήση και τη διατήρηση του προϊόντος σε καλή κατάσταση. Χρησιμοποιήστε τις οδηγίες για τη σωστή εγκατάσταση των εξαρτημάτων και των παρελκόμενων. Να χρησιμοποιείτε μόνο εγκεκριμένα εξαρτήματα και παρελκόμενα.
- Να μην χρησιμοποιείτε προϊόντα που παρουσιάζουν ζημιά. Να τηρείτε το πρόγραμμα συντήρησης. Να

εκτελείτε μόνο τις εργασίες συντήρησης που αναφέρονται σε οδηγίες του παρόντος εγχειριδίου. Όλες οι υπόλοιπες εργασίες συντήρησης πρέπει να εκτελούνται από ένα εγκεκριμένο κέντρο σέρβις.

- Το παρόν εγχειρίδιο δεν περιλαμβάνει όλες τις καταστάσεις που μπορεί να προκύψουν κατά τη χρήση του προϊόντος. Να είστε προσεκτικοί και να χρησιμοποιείτε την κοινή λογική. Μην χρησιμοποιείτε το προϊόν και μην εκτελείτε συντήρηση σε αυτό, εάν δεν είστε σίγουροι για την κατάσταση. Απευθυνθείτε σε έναν ειδικό για το προϊόν, τον αντιπρόσωπό σας, τον αντιπρόσωπο σέρβις ή ένα εγκεκριμένο κέντρο σέρβις για πληροφορίες.
- Αποσυνδέστε το καλώδιο του μπουζί πριν από τη συναρμολόγηση του προϊόντος, την τοποθέτησή του στην περιοχή αποθήκευσης ή την εκτέλεση εργασιών συντήρησης.
- Μην χρησιμοποιείτε το προϊόν εάν τροποποιηθεί από τις αρχικές του προδιαγραφές. Μην αλλάξετε ένα εξάρτημα του προϊόντος χωρίς έγκριση από τον κατασκευαστή. Πρέπει να χρησιμοποιείτε μόνο εξαρτήματα εγκεκριμένα από τον κατασκευαστή. Λόγω της εσφαλμένης συντήρησης μπορεί να προκληθεί τραυματισμός ή θάνατος.
- Μην αναπνέετε τα καυσαέρια από τον κινητήρα. Η μακροχρόνια εισπνοή των αναθυμιάσεων της εξάτμισης του κινητήρα είναι επικίνδυνη για την υγεία.
- Μην θέτετε το προϊόν σε λειτουργία σε εσωτερικό χώρο ή κοντά σε εύφλεκτα υλικά. Οι αναθυμιάσεις της εξάτμισης είναι καυτές και μπορεί να περιέχουν σπινθήρες που μπορεί να προκαλέσουν πυρκαγιά. Η ανεπαρκής ροή αέρα μπορεί να προκαλέσει τραυματισμό ή θάνατο λόγω ασφυξίας ή μονοξειδίου του άνθρακα.
- Όταν χρησιμοποιείτε αυτό το προϊόν, ο κινητήρας δημιουργεί ηλεκτρομαγνητικό πεδίο. Το ηλεκτρομαγνητικό πεδίο μπορεί να προκαλέσει ζημιά

στα ιατρικά εμφυτεύματα. Προτού χρησιμοποιήσετε το προϊόν, συμβουλευθείτε το γιατρό σας ή τον κατασκευαστή του ιατρικού εμφυτεύματος.

- Μην επιτρέψετε σε παιδιά να χρησιμοποιήσουν το προϊόν. Μην αφήνετε να χρησιμοποιήσουν το προϊόν άτομα που δεν γνωρίζουν τις οδηγίες.
- Φροντίστε να παρακολουθείτε πάντα τα άτομα με μειωμένες σωματικές ή διανοητικές ικανότητες που χρησιμοποιούν το προϊόν. Πρέπει να είναι παρών ένας υπεύθυνος ενήλικας ανά πάσα στιγμή.
- Ασφαλίστε το προϊόν σε σημείο στο οποίο δεν έχουν πρόσβαση παιδιά και μη εγκεκριμένα άτομα.
- Το προϊόν μπορεί να εκτινάξει αντικείμενα και να προκληθούν τραυματισμοί. Τηρείτε τις οδηγίες ασφαλείας για να μειώσετε τον κίνδυνο τραυματισμού ή θανάτου.
- Μην απομακρύνετε από το προϊόν όταν ο κινητήρας είναι σε λειτουργία.
- Ο χειριστής του προϊόντος είναι υπεύθυνος σε περίπτωση ατυχήματος.
- Βεβαιωθείτε ότι τα εξαρτήματα δεν έχουν υποστεί ζημιά πριν χρησιμοποιήσετε το προϊόν.
- Προτού χρησιμοποιήσετε το προϊόν, βεβαιωθείτε ότι βρίσκεται σε απόσταση τουλάχιστον 15 m (50 ft) από άλλα άτομα ή ζώα. Βεβαιωθείτε ότι τα άτομα που βρίσκονται κοντά γνωρίζουν ότι θα χρησιμοποιήσετε το προϊόν.
- Ανατρέξτε στην εθνική ή τοπική νομοθεσία. Μπορεί να εμποδίσει ή να μειώσει τη λειτουργία του προϊόντος σε ορισμένες περιπτώσεις.
- Μην χρησιμοποιείτε το προϊόν αν είστε κουρασμένοι ή υπό την επήρεια αλκοόλ, ναρκωτικών ή φαρμάκων. Μπορεί να επηρεαστεί αρνητικά η όραση, η εγρήγορση, ο συντονισμός ή η κρίση σας.

Ασφάλεια δονήσεων

Αυτό το προϊόν προορίζεται μόνο για περιστασιακή χρήση. Η συνεχής ή τακτική χρήση του προϊόντος μπορεί να προκαλέσει σύνδρομο "Ρεϊνό" ή αντίστοιχα προβλήματα υγείας λόγω των δονήσεων. Αν χρησιμοποιείτε το προϊόν συνεχώς ή τακτικά, να εξετάζετε συχνά την κατάσταση των χεριών και των δαχτύλων σας. Αν τα χέρια ή τα δαχτύλα σας έχουν αποχρωματιστεί ή αν παρατηρήσετε πόνο, τσιμπήματα ή μούδιασμα, σταματήστε τις εργασίες και απευθυνθείτε αμέσως σε έναν γιατρό.

Οδηγίες ασφαλείας για τη λειτουργία του φυσητήρα

- Πρέπει να χρησιμοποιείτε το προϊόν μόνο για ώθηση με αέρα ή απομάκρυνση φύλλων και άλλων υπολειμμάτων που υπάρχουν στο έδαφος.
- Μην χρησιμοποιείτε ποτέ το προϊόν αν είστε κουρασμένοι, αδιάθετοι ή υπό την επήρεια αλκοόλ, ναρκωτικών ή φαρμάκων.
- Μην αφήνετε τα παριστάμενα άτομα ή ζώα να πλησιάσουν σε απόσταση μικρότερη από 15 m (50 ft) από τη θέση του χειριστή.

- Το προϊόν μπορεί να εκσφενδονίσει αντικείμενα με μεγάλη ταχύτητα τα οποία μπορεί να εξοστρακιστούν και να χτυπήσουν το χειριστή. Αυτό μπορεί να προκαλέσει βλάβη στα μάτια.
- Μην στρέψετε το ακροφύσιο του φυσητήρα προς την κατεύθυνση ανθρώπων ή ζώων.
- Αν έχετε μακριά μαλλιά, φροντίστε να τα έχετε πιασμένα ψηλότερα από τους ώμους σας.
- Προτού συναρμολογήσετε ή αποσυναρμολογήσετε αξεσουάρ ή άλλα εξαρτήματα, πρέπει να σβήνετε τον κινητήρα.
- Δεν πρέπει να χειρίζεστε το προϊόν χωρίς τον προφυλακτήρα.
- Μην χρησιμοποιείτε το προϊόν εάν υπάρχουν άτομα στο χώρο εργασίας. Σταματήστε τη λειτουργία του προϊόντος εάν ένα άτομο μπει στο χώρο εργασίας.
- Μην χρησιμοποιείτε το προϊόν σε χώρους με μη ικανοποιητικό αερισμό. Αν ο αερισμός δεν είναι επαρκής, μπορεί να προκληθεί τραυματισμός ή θάνατος λόγω ασφυξίας ή μονοξειδίου του άνθρακα.
- Η εξάτμιση (σιγαστήρας) είναι πολύ ζεστή όταν το προϊόν είναι ενεργό, αμέσως μόλις σταματήσει και όταν λειτουργεί στο ρελαντί. Προσέχετε όταν βρίσκεστε κοντά σε εύφλεκτα υλικά και εύφλεκτα αέρια.
- Μην αγγίζετε την περιοχή του καλύμματος της εισαγωγής. Μην πλησιάζετε την περιοχή της εισόδου κοντά σε κοσμήματα ή χαλαρά ρούχα.
- Φροντίστε να πατάτε πάντα σωστά στο έδαφος και να χρησιμοποιείτε το προϊόν μόνο σε ασφαλές και οριζόντιες επιφάνειες. Οι ολισθηρές ή μη σταθερές επιφάνειες, όπως οι σκάλες, μπορεί να προκαλέσουν απώλεια ισορροπίας ή ελέγχου.
- Μην χρησιμοποιείτε το προϊόν σε περιοχές που βρίσκονται ψηλά, όπως π.χ. στέγες.
- Πρέπει να στερεώνετε καλά το προϊόν κατά τη μεταφορά.
- Πρέπει να χρησιμοποιείτε το προϊόν μόνο τη συνιστώμενη ώρα. Να τηρείτε τους τοπικούς κανονισμούς. Οι ώρες που συνιστώνται συνήθως είναι 9:00 π.μ. έως 5:00 μ.μ., Δευτέρα έως Σάββατο.
- Πρέπει να χρησιμοποιείτε το προϊόν με τη χαμηλότερη δυνατή ρύθμιση του γκαζιού για την εκτέλεση της εργασίας.
- Βεβαιωθείτε ότι δεν μπορείτε να πέσετε όταν χρησιμοποιείτε το προϊόν. Μην γέρνετε όταν χρησιμοποιείτε το προϊόν.
- Πρέπει να βεβαιώνετε ότι το προϊόν είναι σε καλή κατάσταση προτού το θέσετε σε λειτουργία, ειδικά η εξάτμιση (σιγαστήρας), η εισαγωγή αέρα και το φίλτρο αέρα.
- Χρησιμοποιήστε τσουγκράνα ή σκούπα για να σκορπίσετε τα υπολείμματα στο έδαφος προτού χρησιμοποιήσετε το προϊόν.
- Αν η περιοχή εργασίας είναι βρώμικη, ψεκάστε τη με λάστιχο ποτίσματος.
- Χρησιμοποιήστε το προϊόν ως εναλλακτική λύση αντί του λάστιχου ποτίσματος, για να εξοικονομήσετε νερό.

- Φροντίστε η απομάκρυνση των υπολειμμάτων με τον αέρα να γίνεται με ασφάλεια. Προσέχετε όταν υπάρχουν παιδιά, ζώα, ανοιχτά παράθυρα ή οχήματα.
- Μην στρέφετε το προϊόν προς ευαίσθητα φυτά.
- Μην κατευθύνετε τον αέρα σε αντικείμενα όπως τοίχους, μεγάλες πέτρες, οχήματα και φράχτες.
- Αν κάνετε εργασίες σε εσωτερικές γωνίες, κατευθύνετε τον αέρα από τη γωνία προς το κέντρο της περιοχής εργασίας. Στη αντίθετη περίπτωση, μπορεί τα υπολείμματα να χτυπήσουν στο πρόσωπό σας και να προκαλέσουν τραυματισμό στα μάτια.
- Πρέπει να χρησιμοποιείτε την πλήρη προέκταση του ακροφυσίου, για να διατηρείτε το ρεύμα του αέρα κοντά στο έδαφος.
- Οι παριστάμενοι πρέπει να φορούν εξοπλισμό προστασίας των ματιών.
- Μετά από τη χρήση του προϊόντος, πρέπει να απορρίπτετε τα υπολείμματα στα δοχεία απορριμμάτων.

Οδηγίες ασφαλείας για τη χρήση του αναρροφητήρα

- Φροντίστε να μην προκληθεί ζημιά στη φτερωτή. Μην αναρροφάτε μεγάλα, συμπαγή αντικείμενα, όπως ξύλα, κονσέρβες, ελαστικές μάζες σάπιων φύλλων ή μεγάλα κομμάτια σπάγκου.
- Μην αφήνετε τον σωλήνα αναρρόφησης να χτυπά στο έδαφος.
- Προτού αφαιρέσετε υλικά που έχουν προκαλέσει εμπλοκή ή έμφραξη, πρέπει να σβήνετε τον κινητήρα και να αποσυνδέετε το καπάκι του μπουζί.

Προσωπικός εξοπλισμός προστασίας

- Χρησιμοποιείτε πάντα σωστό προσωπικό εξοπλισμό προστασίας κατά τη χρήση του προϊόντος. Ο προσωπικός εξοπλισμός προστασίας δεν εξαλείφει τον κίνδυνο τραυματισμού. Ο προσωπικός εξοπλισμός προστασίας μειώνει το βαθμό τραυματισμού σε περίπτωση ατυχήματος.
- Χρησιμοποιήστε πάντα εγκεκριμένη προστασία των ματιών κατά τη χρήση του προϊόντος.
- Μην χρησιμοποιείτε το προϊόν με γυμνά πόδια ή με ανοικτά παπούτσια. Χρησιμοποιήστε πάντοτε αντιολισθητικές μπότες βαρέος τύπου.
- Χρησιμοποιήστε χοντρά, μακριά παντελόνια.
- Εάν είναι απαραίτητο, χρησιμοποιήστε εγκεκριμένα προστατευτικά γάντια.
- Χρησιμοποιήστε κράνος εάν υπάρχει πιθανότητα να πέσουν αντικείμενα στο κεφάλι σας.
- Χρησιμοποιήστε πάντα εγκεκριμένη προστασία αυτιών κατά τη χρήση του προϊόντος. Τυχόν θόρυβος για μεγάλο χρονικό διάστημα μπορεί να προκαλέσει θορυβογενή απώλεια ακοής.
- Όταν χρησιμοποιείτε το προϊόν σε περιβάλλοντα με πολλή σκόνη, πρέπει πάντα να χρησιμοποιείτε εγκεκριμένη προστατευτική μάσκα αναπνοής.

- Βεβαιωθείτε ότι υπάρχει ένα κιτ πρώτων βοηθειών σε μικρή απόσταση.

Προστατευτικές διατάξεις στο προϊόν

- Βεβαιωθείτε ότι εκτελείτε τακτικά συντήρηση στο προϊόν.
 - Αυξάνεται η διάρκεια ζωής του προϊόντος.
 - Μειώνεται ο κίνδυνος ατυχημάτων.

Ένας εγκεκριμένος αντιπρόσωπος ή ένα εγκεκριμένο κέντρο σέρβις πρέπει να εξετάζει τακτικά το προϊόν για την εκτέλεση ρυθμίσεων ή επισκευών.

- Μην χρησιμοποιείτε προϊόντα με κατεστραμμένο εξοπλισμό προστασίας. Εάν το προϊόν έχει υποστεί ζημιά, απευθυνθείτε σε ένα εγκεκριμένο κέντρο σέρβις.

Διακόπτης διακοπής λειτουργίας

Βάλτε μπροστά τον κινητήρα. Βεβαιωθείτε ότι ο κινητήρας σβήνει όταν μετακινείτε το διακόπτη λειτουργίας στη θέση διακοπής λειτουργίας.

Εξάτμιση (σιγαστήρας)



ΠΡΟΕΙΔΟΠΟΙΗΣΗ: Μην αγγίζετε την εξάτμιση (τον σιγαστήρα) αν είναι ζεστή. Η εξάτμιση (σιγαστήρας) καίει πολύ όταν ο κινητήρας λειτουργεί και αφού σβήσει. Αν αγγίξετε την εξάτμιση (τον σιγαστήρα), μπορεί να προκληθούν εγκαύματα.

- Μην χρησιμοποιείτε κινητήρα με κατεστραμμένη εξάτμιση (σιγαστήρας). Η κατεστραμμένη εξάτμιση (σιγαστήρας) αυξάνει το επίπεδο θορύβου και τον κίνδυνο φωτιάς. Πρέπει να υπάρχει σε μικρή απόσταση πυροσβεστήρας.
- Εξετάζετε τακτικά ότι η εξάτμιση (σιγαστήρας) είναι προσαρτημένη στο προϊόν.
- Μην αγγίζετε τον κινητήρα ή την εξάτμιση (σιγαστήρας) όταν ο κινητήρας είναι σε λειτουργία. Μην αγγίζετε τον κινητήρα ή την εξάτμιση (σιγαστήρας) για ένα διάστημα μετά το σβήσιμο του κινητήρα. Οι καυτές επιφάνειες μπορεί να προκαλέσουν τραυματισμούς.
- Η καυτή εξάτμιση (σιγαστήρας) μπορεί να προκαλέσει πυρκαγιά. Να είστε προσεκτικοί εάν χρησιμοποιείτε το προϊόν κοντά σε εύφλεκτα υγρά ή αέρια.
- Μην αγγίζετε τα εξαρτήματα στην εξάτμιση (σιγαστήρας), εάν η εξάτμιση έχει υποστεί ζημιά. Τα εξαρτήματα μπορεί να περιέχουν μερικές καρκινογόνες χημικές ουσίες.
- Ορισμένα μοντέλα φυσιτήρα διαθέτουν φλογοπαγίδα. Πρέπει να καθαρίζετε και να αντικαθιστάτε τη φλογοπαγίδα στα καθορισμένα χρονικά διαστήματα. Ανατρέξτε στην ενότητα Συντήρηση (*ΣΥΝΤΗΡΗΣΗ στη σελίδα 78*).

Ασφάλεια καυσίμου

- Μην θέτετε το προϊόν σε λειτουργία, εάν υπάρχει καύσιμο ή λάδι κινητήρα στο προϊόν. Αφαιρέστε το ανεπιθύμητο καύσιμο/λάδι και αφήστε το προϊόν να στεγνώσει. Αφαιρέστε το ανεπιθύμητο καύσιμο από το προϊόν.
- Εάν χύσετε καύσιμο στα ρούχα σας, αλλάξτε τα αμέσως.
- Μην χύσετε καύσιμο στο σώμα σας, καθώς μπορεί να προκληθεί τραυματισμός. Εάν χύσετε καύσιμο στο σώμα σας, χρησιμοποιήστε σαπουνόνερο για να αφαιρέσετε το καύσιμο.
- Μην βάλτε μπροστά τον κινητήρα εάν χύσετε λάδι ή καύσιμο στο προϊόν ή στο σώμα σας.
- Μην θέσετε το προϊόν σε λειτουργία, εάν ο κινητήρας έχει διαρροή. Εξετάζετε τακτικά τον κινητήρα για διαρροές.
- Να είστε προσεκτικοί με το καύσιμο. Το καύσιμο είναι εύφλεκτο και οι αναθυμιάσεις είναι εκρηκτικές και μπορούν να προκαλέσουν τραυματισμό ή θάνατο.
- Μην εισπνεύσετε τις αναθυμιάσεις καυσίμου, καθώς μπορεί να προκληθεί τραυματισμός. Βεβαιωθείτε ότι υπάρχει επαρκής ροή αέρα.
- Μην καπνίζετε κοντά στο καύσιμο ή τον κινητήρα.
- Μην τοποθετείτε ζεστά αντικείμενα κοντά στο καύσιμο ή τον κινητήρα.
- Μην προσθέτετε καύσιμο όταν λειτουργεί ο κινητήρας.
- Βεβαιωθείτε ότι ο κινητήρας έχει κρυώσει πριν από τον ανεφοδιασμό.
- Πριν από τον ανεφοδιασμό, ανοίξτε αργά την τάπα του νεπεόζιτου καυσίμου και εκτονώστε προσεκτικά την πίεση.
- Μην προσθέτετε καύσιμο στον κινητήρα σε εσωτερικό χώρο. Η ανεπαρκής ροή αέρα μπορεί να προκαλέσει τραυματισμό ή θάνατο λόγω ασφυξίας ή μονοξειδίου του άνθρακα.
- Σφίξτε προσεκτικά την τάπα του νεπεόζιτου καυσίμου, διαφορετικά μπορεί να προκληθεί πυρκαγιά.

- Πριν από την εκκίνηση, μετακινήστε το προϊόν σε απόσταση τουλάχιστον 3 m (10 ft) από το σημείο όπου γεμίσατε το νεπεόζιτο.
- Μην προσθέτετε υπερβολική ποσότητα καυσίμου στο νεπεόζιτο καύσιμο.
- Βεβαιωθείτε ότι δεν μπορεί να προκληθεί διαρροή όταν μετακινείτε το προϊόν ή το δοχείο καυσίμου.
- Μην τοποθετείτε το προϊόν ή ένα δοχείο καυσίμου όπου υπάρχουν ακάλυπτες φλόγες, σπινθήρες ή φλόγιστρα. Βεβαιωθείτε ότι στην περιοχή αποθήκευσης δεν υπάρχουν ακάλυπτες φλόγες.
- Χρησιμοποιήστε μόνο εγκεκριμένα δοχεία όταν μετακινείτε το καύσιμο ή προσθέτετε το καύσιμο στην περιοχή αποθήκευσης.
- Αδειάζετε το νεπεόζιτο καύσιμο πριν από μακροχρόνια αποθήκευση. Τηρείτε την τοπική νομοθεσία σχετικά με την περιοχή απόρριψης καυσίμων.
- Καθαρίζετε το προϊόν πριν από μακροχρόνια αποθήκευση.
- Αφαιρέστε το καλώδιο του μπουζί πριν να τοποθετήσετε το προϊόν στην περιοχή αποθήκευσης, για να βεβαιωθείτε ότι ο κινητήρας δεν θα εκκινηθεί ακούσια.

Οδηγίες ασφαλείας για τη συντήρηση



ΠΡΟΕΙΔΟΠΟΙΗΣΗ: Αν η συντήρηση δεν γίνει σωστά, μπορεί να προκληθεί σοβαρή ζημιά στον κινητήρα ή σοβαρός τραυματισμός.

Ο ιδιοκτήτης είναι υπεύθυνος για την εκτέλεση όλων των απαιτούμενων εργασιών συντήρησης, οι οποίες καθορίζονται στο εγχειρίδιο χρήσης. Πριν από τη συντήρηση πρέπει να αποσυνδέετε το μπουζί. Μην αποσυνδέετε το μπουζί προτού κάνετε ρυθμίσεις του καρμπυρατέρ.

ΣΥΝΑΡΜΟΛΟΓΗΣΗ



ΠΡΟΕΙΔΟΠΟΙΗΣΗ: Διαβάστε το κεφάλαιο που αφορά την ασφάλεια πριν από τη συναρμολόγηση του προϊόντος.

Εγκατάσταση του πάνω σωλήνα του φυσητήρα

1. Ευθυγραμμίστε την εγκοπή στον πάνω σωλήνα του φυσητήρα (A) με την προεξοχή στο άνοιγμα εξαγωγής του φυσητήρα (B). (Εικ. 23)
2. Περάστε τον πάνω σωλήνα του φυσητήρα στο άνοιγμα εξαγωγής του φυσητήρα και σπρώξτε τον μέχρι τέρμα.

3. Γυρίστε τον πάνω σωλήνα του φυσητήρα μέχρι η οπή του σωλήνα να ευθυγραμμιστεί με το σπείρωμα του παζιμαδιού στο άνοιγμα εξαγωγής του φυσητήρα. (Εικ. 24)
4. Τοποθετήστε τη βίδα (C). (Εικ. 25)
5. Γυρίστε τη βίδα προς τα δεξιά με ένα κατσαβίδι, για να στερεώσετε τον σωλήνα.

Εγκατάσταση του κάτω σωλήνα του φυσητήρα

1. Ευθυγραμμίστε τις εγκοπές στον κάτω σωλήνα του φυσητήρα (A) με τις προεξοχές στον πάνω σωλήνα του φυσητήρα (B). (Εικ. 26)

- Περάστε τον κάτω σωλήνα του φυσητήρα στον πάνω σωλήνα του φυσητήρα και σπρώξτε τον μέχρι τέρμα.
- Γυρίστε πλήρως τον κάτω σωλήνα του φυσητήρα μέχρι η προεξοχή να μπει στο άκρο της εγκοπής. (Εικ. 27)

Τοποθέτηση του σωλήνα™ του φυσητήρα VX

- Ευθυγραμμίστε τις εγκοπές στον σωλήνα™ του φυσητήρα VX (A) με τις προεξοχές στον πάνω σωλήνα του φυσητήρα (B). (Εικ. 28)
- Περάστε το σωλήνα™ του φυσητήρα VX στον πάνω σωλήνα του φυσητήρα και σπρώξτε τον μέχρι να τερματίσει.
- Γυρίστε πλήρως το σωλήνα™ του φυσητήρα VX μέχρι η προεξοχή να μπει στο άκρο της εγκοπής. (Εικ. 29)

Εγκατάσταση του πάνω σωλήνα αναρρόφησης

- Τοποθετήστε το άκρο ενός κατασαβιδιού στο σημείο της ασφάλειας της εισαγωγής αναρρόφησης. (Εικ. 30)
- Γείρτε προσεκτικά τη λαβή του κατασαβιδιού προς το μπροστινό μέρος του προϊόντος, για να απελευθερώσετε την ασφάλεια.
- Κρατήστε ανοιχτό το κάλυμμα εισαγωγής αέρα αναρρόφησης μέχρι να μπει στη θέση του ο πάνω σωλήνας αναρρόφησης. (Εικ. 31)
- Ευθυγραμμίστε τη νεύρωση στο εσωτερικό του ανοίγματος εισαγωγής αέρα αναρρόφησης με τις εγκοπές στον πάνω σωλήνα αναρρόφησης.

Περιεχόμενα Ευθυγραμμίστε τους δείκτες στο άνοιγμα εισαγωγής αέρα αναρρόφησης και στον πάνω σωλήνα αναρρόφησης.

- Σπρώξτε τον πάνω σωλήνα αναρρόφησης μέσα στο άνοιγμα εισαγωγής αέρα αναρρόφησης μέχρι να τερματίσει.
- Γυρίστε τον πάνω σωλήνα αναρρόφησης πλήρως προς τα δεξιά μέχρι να ακουσετε ένα κλικ. (Εικ. 32)

Εγκατάσταση του κάτω σωλήνα αναρρόφησης

- Ευθυγραμμίστε την εγκοπή στον κάτω σωλήνα αναρρόφησης με την προεξοχή στον πάνω σωλήνα αναρρόφησης.
- Περάστε τον κάτω σωλήνα αναρρόφησης στον πάνω σωλήνα αναρρόφησης μέχρι να τερματίσει και να μπει η προεξοχή στο άκρο της εγκοπής. (Εικ. 33)
- Τοποθετήστε τη βίδα.
- Γυρίστε τη βίδα προς τα δεξιά με ένα κατασαβίδι, για να στερεώσετε τον σωλήνα. (Εικ. 34)

Εγκατάσταση του σωλήνα του σάκου συλλογής

- Ευθυγραμμίστε την εγκοπή στο σωλήνα του σάκου συλλογής (A) με την προεξοχή στο άνοιγμα εξαγωγής του φυσητήρα (B). (Εικ. 35)
- Τοποθετήστε τον σωλήνα του σάκου συλλογής στο άνοιγμα εξόδου του φυσητήρα και σπρώξτε τον μέχρι τέρμα.
- Γυρίστε τον σωλήνα του σάκου συλλογής μέχρι η οπή του σωλήνα να ευθυγραμμιστεί με το σπειρώμα του παξιμαδιού στο άνοιγμα εξαγωγής του φυσητήρα. (Εικ. 36)
- Τοποθετήστε τη βίδα (C).
- Γυρίστε τη βίδα προς τα δεξιά με ένα κατασαβίδι, για να στερεώσετε τον σωλήνα. (Εικ. 37)

ΛΕΙΤΟΥΡΓΙΑ



ΠΡΟΕΙΔΟΠΟΙΗΣΗ: Προτού χρησιμοποιήσετε το προϊόν, διαβάστε και κατανοήστε το κεφάλαιο για την ασφάλεια.

Καύσιμο

Για να χρησιμοποιήσετε καύσιμο



ΠΡΟΣΟΧΗ: Αυτό το προϊόν έχει ένα δίχρονο κινητήρα. Χρησιμοποιήστε ένα μείγμα βενζίνης και λάδι δίχρονου κινητήρα. Βεβαιωθείτε ότι χρησιμοποιείτε τη σωστή ποσότητα λαδιού στο μείγμα. Τυχόν εσφαλμένη αναλογία βενζίνης και λαδιού μπορεί να προκαλέσει ζημιά στον κινητήρα.

Βενζίνη



ΠΡΟΣΟΧΗ: Μην χρησιμοποιείτε βενζίνη με αριθμό οκτανίων κάτω από 90 RON (87 AKI). Μπορεί να προκληθεί ζημιά στο προϊόν.



ΠΡΟΣΟΧΗ: Μην χρησιμοποιείτε βενζίνη με συγκέντρωση αιθανόλης πάνω από 10% (E10). Μπορεί να προκληθεί ζημιά στο προϊόν.

- Χρησιμοποιήστε πάντα καινούργια αμόλυβδη βενζίνη με ελάχιστο αριθμό οκτανίων 90 RON (87 AKI) και με συγκέντρωση αιθανόλης κάτω από 10% (E10).
- Χρησιμοποιήστε βενζίνη με υψηλότερο αριθμό οκτανίων εάν χρησιμοποιείτε συχνά το προϊόν

συνεχώς σε υψηλές στροφές ανά λεπτό (σ.α.λ) του κινητήρα.

Λάδι δίχρονου κινητήρα

- Χρησιμοποιήστε μόνο υψηλής ποιότητας λάδι δίχρονου κινητήρα. Χρησιμοποιήστε μόνο λάδι αερόψυκτου κινητήρα.
- Μην χρησιμοποιείτε άλλους τύπους λαδιού.
- Αναλογία μίγματος 50:1 (2%)

Βενζίνη	Λάδι
1 γαλόνι Η.Π.Α.	77 ml (2,6 oz)
1 γαλόνι Η.Β.	95 ml (3,2 oz)
5 l	100 ml (3,4 oz)

Για να δημιουργήσετε το μείγμα καυσίμου

Περιεχόμενα Χρησιμοποιήστε πάντα ένα καθαρό δοχείο καυσίμου όταν αναμιγνύετε το καύσιμο.

Περιεχόμενα Μην δημιουργείτε ποσότητα μείγματος καυσίμου για περισσότερες από 30 ημέρες.

- Προσθέστε το μισό της ποσότητας βενζίνης.
- Προσθέστε ολόκληρη την ποσότητα λαδιού.
- Ανακινήστε το μείγμα καυσίμου για να αναμιχτεί τα περιεχόμενα.
- Προσθέστε την υπόλοιπη ποσότητα βενζίνης.
- Ανακινήστε το μείγμα καυσίμου για να αναμιχτεί τα περιεχόμενα.
- Γεμίστε το ντεπόζιτο καυσίμου.

Για να προσθέσετε καύσιμο

- Χρησιμοποιήστε πάντοτε δοχείο καυσίμου με βαλβίδα προστασίας από διαρροές.
- Εάν υπάρχει καύσιμο στο δοχείο, αφαιρέστε το ανεπιθύμητο καύσιμο και αφήστε το δοχείο να στεγνώσει.
- Βεβαιωθείτε ότι η περιοχή κοντά στην τάπα του ντεπόζιτου καυσίμου είναι καθαρή.
- Ανακινήστε καλά το δοχείο καυσίμου πριν προσθέσετε το μείγμα καυσίμου στο ντεπόζιτο καυσίμου.

Για εκκίνηση και σταμάτημα

Προτού εκκινήσετε τον κινητήρα

- Ελέγξτε το προϊόν για εξαρτήματα που λείπουν, έχουν υποστεί ζημιά, έχουν χαλαρώσει ή φθαρεί.
- Εξετάστε τον σάκο συλλογής. Βεβαιωθείτε ότι ο σάκος συλλογής δεν έχει υποστεί ζημιά και ότι το φερμουάρ είναι κλεισμένο.
- Ελέγξτε τα παζιμάδια, τις βίδες και τα μπουλόνια.
- Ελέγξτε το φίλτρο αέρα.

- Ελέγξτε αν λειτουργεί σωστά η σκανδάλη του γκαζιού.
- Ελέγξτε αν λειτουργεί σωστά ο διακόπτης διακοπής λειτουργίας.
- Ελέγξτε το προϊόν για διαρροές καυσίμου.

Εκκίνηση με κρύο κινητήρα



ΠΡΟΕΙΔΟΠΟΙΗΣΗ: Μην τυλίγετε το κορδόνι του συστήματος εκκίνησης γύρω από το χέρι σας.



ΠΡΟΣΟΧΗ: Μην συγκρατείτε το προϊόν με το πόδι σας.



ΠΡΟΣΟΧΗ: Μην τραβάτε το κορδόνι του συστήματος εκκίνησης μέχρι τη θέση τερματισμού του. Μην αφήνετε τη λαβή του κορδονιού του συστήματος εκκίνησης όταν το κορδόνι είναι τραβηγμένο. Μπορεί να προκληθεί ζημιά στο προϊόν.

Περιεχόμενα Αν ο κινητήρας σβήσει, μετακινήστε το χειριστήριο του τσοκ στην κλειστή θέση και εκτελέστε ξανά τα βήματα εκκίνησης.

- Γεμίστε το ντεπόζιτο καυσίμου με καθαρό μείγμα καυσίμου.
 - Χρησιμοποιήστε το αριστερό σας χέρι για να συγκρατήσετε το σώμα του μηχανήματος πάνω στο έδαφος. Βεβαιωθείτε ότι ο φυσητήρας δεν είναι στραμμένος προς άλλα άτομα, κατοικίδια ζώα, τζάμια και συμπαγή αντικείμενα.
 - Πιέστε αργά τη φούσκα της χειροκίνητης αντλίας καυσίμου (πουάρ) 10 φορές.
 - Μετακινήστε το μοχλό του τσοκ στη θέση ΠΛΗΡΕΣ ΤΣΟΚ.
 - Πιέστε και κρατήστε τη λαβή του γκαζιού
 - Τραβήξτε γρήγορα το σχοινί εκκίνησης μέχρι ο κινητήρας να προσπαθήσει να τεθεί σε λειτουργία, αλλά όχι περισσότερες από 3 φορές.
- Περιεχόμενα** Εάν η θερμοκρασία είναι μικρότερη από 4 °C (40 °F), συνεχίστε να τραβάτε τη λαβή του σχοινού εκκίνησης μέχρι ο κινητήρας να προσπαθήσει να τεθεί σε λειτουργία.
- Μετακινήστε το μοχλό τσοκ στη θέση ΜΙΣΟ ΤΣΟΚ.
 - Τραβήξτε γρήγορα τη λαβή του σχοινού εκκίνησης μέχρι να τεθεί σε λειτουργία ο κινητήρας.
 - Αφήστε τον κινητήρα να λειτουργήσει για 10 δευτερόλεπτα.
 - Μετακινήστε τον μοχλό τσοκ στη θέση ΧΩΡΙΣ ΤΣΟΚ.

Εκκίνηση με ζεστό κινητήρα

1. Πιέστε αργά τη φούσκα της χειροκίνητης αντλίας καυσίμου (πουάρ) 10 φορές.
2. Μετακινήστε το μοχλό τσοκ στη θέση ΜΙΣΟ ΤΣΟΚ.
3. Τραβήξτε γρήγορα τη λαβή του σχοινού εκκίνησης μέχρι να τεθεί σε λειτουργία ο κινητήρας.
4. Μετακινήστε τον μοχλό τσοκ στη θέση ΧΩΡΙΣ ΤΣΟΚ.

Εκκίνηση του κινητήρα με ατμόφραξη

Η ατμόφραξη παρουσιάζεται όταν το καύσιμο στη γραμμή καυσίμου ή στο καρμπυρατέρ εξατμιστεί λόγω υψηλής θερμοκρασίας.

Το προϊόν μπορεί να εμφανίζει ατμόφραξη εάν δεν επανεκκινείται σε θερμοκρασία περιβάλλοντος πάνω από 35 °C (95 °F) και έχει απενεργοποιηθεί για 15-45 λεπτά.

1. Πιέστε επανειλημμένα τη φούσκα της χειροκίνητης αντλίας καυσίμου (πουάρ) για 10-15 δευτερόλεπτα.
2. Μετακινήστε το μοχλό τσοκ στη θέση ΜΙΣΟ ΤΣΟΚ.
3. Τραβήξτε γρήγορα τη λαβή του σχοινού εκκίνησης μέχρι να τεθεί σε λειτουργία ο κινητήρας.
4. Αφήστε τον κινητήρα να θερμανθεί για 3 λεπτά στο ρελαντί.
5. Μετακινήστε τον μοχλό τσοκ στη θέση ΧΩΡΙΣ ΤΣΟΚ.

Σβήσιμο του κινητήρα

- Πιέστε και αφήστε το διακόπτη διακοπής λειτουργίας του κινητήρα. Ο διακόπτης επανέρχεται αυτόματα στη θέση εκκίνησης. Περιμένετε 7 δευτερόλεπτα προτού δοκιμάσετε να επανεκκινήσετε το προϊόν, για να βεβαιωθείτε ότι έχει γίνει επαναφορά του διακόπτη.

Ρύθμιση του σωλήνα™ του φυσητήρα VX

1. Ευθυγραμμίστε τη σωστή εγκοπή (Α ή Β) στον εξωτερικό™ σωλήνα του φυσητήρα VX με την προεξοχή (C) στον εσωτερικό σωλήνα. (Εικ. 38)

Περιεχόμενα Όταν συναρμολογηθούν οι σωλήνες, η προεξοχή δεν φαίνεται. Πρέπει να νιώσετε τη θέση της προεξοχής καθώς μετακινείτε τον εξωτερικό σωλήνα.

Περιεχόμενα Για μεγάλο άνοιγμα του φυσητήρα, στερεώστε την προεξοχή στη θέση "Α". Με το μεγάλο άνοιγμα του φυσητήρα μπορείτε να μετακινείτε σε μεγάλες περιοχές τα ξερά φύλλα και άλλα ανεπιθύμητα υλικά. Για μικρό άνοιγμα του φυσητήρα, στερεώστε την υποδοχή στη θέση "Β". Με το μικρό άνοιγμα του φυσητήρα, ο αέρας εξέρχεται με μεγαλύτερη ταχύτητα και μπορείτε να καθαρίζετε χαραμάδες και μπортούρες και να μετακινείτε βαρύτερα υλικά όπως βρεγμένα φύλλα.

2. Για να αποδεσμεύσετε την προεξοχή από την εγκοπή, γυρίστε τον εξωτερικό σωλήνα όπως φαίνεται στην εικόνα. (Εικ. 39)
3. Μετακινήστε τον εξωτερικό σωλήνα κατά μήκος του εσωτερικού σωλήνα για να αλλάξετε τη θέση. (Εικ. 40)
4. Γυρίστε τον εξωτερικό σωλήνα όπως φαίνεται στην εικόνα, μέχρι η προεξοχή να μπει καλά στο άκρο της εγκοπής της σωστής θέσης. (Εικ. 41)

Θέση λειτουργίας

- Φυσητήρας (Εικ. 42)
- Ηλεκτρική σκούπα (Εικ. 43)

Αναρρόφηση

Προτού χρησιμοποιήσετε την αναρρόφηση, φορέστε τον απαιτούμενο εξοπλισμό ασφαλείας.



ΠΡΟΕΙΔΟΠΟΙΗΣΗ: Προτού χρησιμοποιήσετε τον σάκο συλλογής, βεβαιωθείτε ότι δεν έχει υποστεί ζημιά και ότι το φερμουάρ είναι κλεισμένο. Μην χρησιμοποιείτε σάκους που έχουν υποστεί ζημιά. Με αυτόν τον τρόπο αποτρέπονται τραυματισμοί από εκκινασσόμενα θραύσματα. Η λειτουργία με το αριστερό χέρι αυξάνει τον κίνδυνο. Μην αφήνετε το σώμα σας να έρθει σε επαφή με την περιοχή εξαγωγής της εξάτμισης.



ΠΡΟΕΙΔΟΠΟΙΗΣΗ: Μην εκκινείτε τον φυσητήρα αν το κάλυμμα της εισαγωγής είναι ανοιχτό ή έχει υποστεί ζημιά (εκτός αν έχει τοποθετηθεί ο σωλήνας αναρρόφησης).

- Κατά τον χειρισμό του φυσητήρα, ο σάκος συλλογής πρέπει να συγκρατείται από τον ιμάντα ώμου. Ο ιμάντας πρέπει να φοριέται πάνω από τον ώμο.
- Εκκινήστε τον φυσητήρα. Τηρείτε τις οδηγίες που παρέχονται στην ενότητα για την εκκίνηση και διακοπή λειτουργίας *Για εκκίνηση και σταμάτημα στη σελίδα 76*. Διαβάστε τις οδηγίες ασφαλείας *ΑΣΦΑΛΕΙΑ στη σελίδα 71*.

Άδειασμα του σάκου συλλογής



ΠΡΟΕΙΔΟΠΟΙΗΣΗ: Πρέπει πάντα να ελέγχετε τον σάκο συλλογής. Προτού τον χρησιμοποιήσετε, πρέπει να βεβαιώνετε ότι δεν έχει υποστεί ζημιά και ότι το φερμουάρ είναι κλεισμένο. Μην χρησιμοποιείτε τον σάκο αν έχει υποστεί ζημιά. Υπάρχει κίνδυνος τραυματισμού λόγω εκσφενδόνισης υπολειμμάτων. Προσέχετε αν η χρήση γίνεται με το αριστερό χέρι. Μην αγγίζετε την περιοχή εξαγωγής της εξάτμισης.

1. Σταματήστε το προϊόν.
2. Ανοίξτε το φερμουάρ στο πλάι.

ΣΥΝΤΗΡΗΣΗ



ΠΡΟΕΙΔΟΠΟΙΗΣΗ: Διαβάστε και κατανοήστε το κεφάλαιο για την ασφάλεια προτού εκτελέσετε εργασίες καθαρισμού, επισκευής ή συντήρησης στο προϊόν.

Πρόγραμμα συντήρησης

Βεβαιωθείτε ότι μπορείτε να τηρείτε το πρόγραμμα συντήρησης. Τα διαστήματα υπολογίζονται με βάση τη καθημερινή χρήση του προϊόντος. Τα διαστήματα είναι διαφορετικά εάν δεν χρησιμοποιείτε το προϊόν καθημερινά. Εκτελείτε μόνο τις εργασίες συντήρησης που αναφέρονται στο παρόν εγχειρίδιο. Απευθυνθείτε σε ένα εγκεκριμένο κέντρο σέρβις σχετικά με τις υπόλοιπες εργασίες συντήρησης που δεν αναφέρονται στο παρόν εγχειρίδιο.

Καθημερινή συντήρηση

- Καθαρίστε τις εξωτερικές επιφάνειες.
- Ελέγξτε τη λειτουργία του χειριστηρίου ταχύτητας και της σκανδάλης του γκαζιού. Αντικαταστήστε τα μέρη που έχουν υποστεί βλάβη.
- Ελέγξτε το διακόπτη τερματισμού. Αν χρειάζεται, αντικαταστήστε το εξάρτημα.
- Εξετάστε τις στροφές ανά λεπτό ρελαντί.
- Καθαρίστε το φίλτρο αέρα. Αν χρειάζεται, αντικαταστήστε το εξάρτημα.
- Βεβαιωθείτε ότι το κάλυμμα της εισαγωγής μπορεί να ασφαλίσει στην κλειστή θέση. Βεβαιωθείτε ότι η φτερωτή είναι καθαρή.
- Σφίξτε όλα τα παξιμάδια και τις βίδες.
- Βεβαιωθείτε ότι δεν υπάρχουν ρωγμές στα περιβλήματα.
- Βεβαιωθείτε ότι ο σάκος συλλογής δεν έχει υποστεί ζημιά και ότι το φερμουάρ λειτουργεί. Αν χρειάζεται, αντικαταστήστε τον σάκο.

Εβδομαδιαία συντήρηση

- Ελέγξτε την κατάσταση της συσκευής εκκίνησης, το κορδόνι του συστήματος εκκίνησης και το ελατήριο τάνυσης. Αντικαταστήστε όλα τα εξαρτήματα που έχουν υποστεί ζημιά.
- Ελέγξτε την κατάσταση της εισαγωγής αέρα στη συσκευή εκκίνησης. Αφαιρέστε τα υπολείμματα αν έχει φράξει η εισαγωγή αέρα.
- Καθαρίστε την εξωτερική πλευρά του μπουζί. Βγάλτε το και ελέγξτε το διάκενο του ηλεκτροδίου. Ρυθμίστε το διάκενο στα 6 mm (0,024 in) ή αντικαταστήστε το μπουζί.
- Καθαρίστε τις λεπίδες στη φτερωτή.
- Καθαρίστε τη φλογοπαγίδα αν χρειάζεται αντικαταστήστε τη [όχι σε εξατμίσεις (σιγαστήρες) με καταλυτικό μετατροπέα].
- Καθαρίστε την περιοχή του καρμπυρατέρ.

- Καθαρίστε το φίλτρο αέρα.

Μηνιαία συντήρηση

- Εξετάστε τη λαβή του κορδονιού της μίζας και το κορδόνι της μίζας.
- Καθαρίστε το ντεπόζιτο καυσίμου.
- Καθαρίστε το καρμπυρατέρ και την περιοχή γύρω από αυτό.
- Καθαρίστε τις λεπίδες στη φτερωτή.
- Ελέγξτε τους σωλήνες καυσίμου για ρωγμές ή άλλες ζημιές. Αντικαταστήστε τα εάν χρειάζεται.
- Καθαρίστε το φίλτρο καυσίμου στο ντεπόζιτο καυσίμου.
- Εξετάστε όλα τα καλώδια και τις συνδέσεις.
- Αντικαταστήστε το μπουζί.
- Αντικαταστήστε το φίλτρο αέρα.

Ετήσια συντήρηση

- Εξετάστε το μπουζί.
- Καθαρίστε την εξωτερική επιφάνεια του καρμπυρατέρ και τις παρακείμενες περιοχές.
- Καθαρίστε το σύστημα ψύξης.
- Εξετάστε το πλέγμα της φλογοπαγίδας.
- Εξετάστε το φίλτρο καυσίμου.
- Εξετάστε το σωλήνα καυσίμου για ζημιές.
- Εξετάστε όλα τα καλώδια και τις συνδέσεις.

Συντήρηση στις 50 ώρες

- Απευθυνθείτε σε ένα εγκεκριμένο κέντρο σέρβις για την επισκευή ή την αντικατάσταση της εξάτμισης (σιγαστήρας).

Για να ρυθμίσετε τις στροφές ανά λεπτό ρελαντί

Βεβαιωθείτε ότι το φίλτρο αέρα είναι καθαρό και ότι το κάλυμμα φίλτρου αέρα είναι προσαρτημένο, πριν από τη ρύθμιση των στροφών ανά λεπτό ρελαντί.

Ρυθμίστε τις στροφές ανά λεπτό του ρελαντί με τη βίδα ρύθμισης των στροφών του ρελαντί. (Εικ. 44)

Οι στροφές ανά λεπτό ρελαντί είναι σωστές όταν ο κινητήρας λειτουργεί ομαλά σε όλες τις θέσεις.

1. Γυρίστε τη βίδα ρύθμισης του ρελαντί προς τα δεξιά για περισσότερες στροφές.
2. Γυρίστε τη βίδα ρύθμισης του ρελαντί προς τα αριστερά για λιγότερες στροφές.

Για εκτέλεση εργασιών συντήρησης στο πλέγμα φλογοπαγίδας

Χρησιμοποιήστε συρματόβουρτσα για να καθαρίσετε το πλέγμα της φλογοπαγίδας.

Για να καθαρίσετε το σύστημα ψύξης

Καθαρίστε τα εξαρτήματα του συστήματος ψύξης με μια βούρτσα.

Για να εξετάσετε το μπουζί



ΠΡΟΣΟΧΗ: Χρησιμοποιείτε πάντα τον συνιστώμενο τύπο μπουζί. Η χρήση λάθος τύπου μπουζί μπορεί να προκαλέσει ζημιά στο προϊόν.

- Αν ο κινητήρας έχει χαμηλή ισχύ, δεν εκκινείται εύκολα ή δεν λειτουργεί σωστά στο ρελαντί, ελέγξτε το μπουζί.
- Για να μειώσετε τον κίνδυνο συσσώρευσης ανεπιθύμητων υλικών στα ηλεκτρόδια του μπουζί, ακολουθήστε τις παρακάτω οδηγίες:
 - a) Βεβαιωθείτε ότι οι στροφές ανά λεπτό ρελαντί έχουν ρυθμιστεί σωστά.
 - b) Βεβαιωθείτε ότι το μίγμα καυσίμου είναι σωστό.
 - c) Βεβαιωθείτε ότι το φίλτρο αέρα είναι καθαρό.
- Αν το μπουζί είναι βρόμικο, καθαρίστε το και βεβαιωθείτε ότι το διάκενο του ηλεκτροδίου είναι

σωστό. Ανατρέξτε στην ενότητα **ΤΕΧΝΙΚΑ ΣΤΟΙΧΕΙΑ** στη σελίδα 79. (Εικ. 45)

- Αντικαταστήστε το μπουζί, εάν χρειάζεται.

Για εκτέλεση εργασιών συντήρησης στο φίλτρο αέρα

Καθαρισμός του φίλτρου αέρα

1. Αφαιρέστε το κάλυμμα του φίλτρου αέρα και το φίλτρο αέρα.
2. Καθαρίστε το φίλτρο αέρα με ζεστό σαπουνόνερο. Βεβαιωθείτε ότι το φίλτρο αέρα είναι στεγνό πριν να το εγκαταστήσετε.
3. Αντικαταστήστε το φίλτρο αέρα εάν είναι πολύ βρόμικο για να καθαριστεί πλήρως. Πρέπει πάντα να αντικαθιστάτε το φίλτρο αέρα, εάν έχει υποστεί ζημιά.
4. Εάν το προϊόν σας διαθέτει αφρώδες φίλτρο αέρα, εφαρμόστε λάδι φίλτρου αέρα. Εφαρμόστε λάδι φίλτρου αέρα μόνο σε αφρώδες φίλτρο. Μην εφαρμόζετε λάδι σε φίλτρο κετσέ.

ΤΕΧΝΙΚΑ ΣΤΟΙΧΕΙΑ

	μονάδα	GBV 322 (GHB28VPR)	GBV 322VX (GHB28VPR)
Προδιαγραφές κινητήρα			
Κυβισμός κυλίνδρου	cm ³	26	26
Διάκενο ηλεκτροδίου	mm	0,6	0,6
Όγκος ντεπόζιτου καυσίμου	cm ³	500	500
Στροφές ανά λεπτό ρελαντί	min ⁻¹	2800 - 3200	2800 - 3200
Στροφές, στη μέγιστη ισχύ	min ⁻¹	8000	8000
Απόδοση ισχύος	kW	0,8	0,8
Μπουζί		Champion RCJ-6Y	Champion RCJ-6Y
Μέγιστη ταχύτητα σε λειτουργία φυσητήρα	min ⁻¹	8600	8600
Μέγιστη ταχύτητα σε λειτουργία αναρρόφησης	min ⁻¹	--	7500
Περίοδος διατήρησης εκπομπών	h	50	50
Δεδομένα θορύβου και κραδασμών			
Ισοδύναμη στάθμη κραδασμών στις λαβές με τους (εργοστασιακούς) σωλήνες φυσητήρα και το (εργοστασιακό) ακροφύσιο - βλ. Σημείωση 1	m/s ²	7,5	7,5
Ισοδύναμη στάθμη κραδασμών στις λαβές με τους (αρχικούς) σωλήνες αναρρόφησης, αριστερά/δεξιά - βλ. Σημείωση 1	m/s ²	7,4	7,4

	μονάδα	GBV 322 (GHB28VPR)	GBV 322VX (GHB28VPR)
Ισοδύναμη στάθμη ηχητικής πίεσης στο αυτί του χειριστή, μετρημένη σύμφωνα με το πρότυπο ISO 22868 και με το προϊόν εξοπλισμένο με τους (αρχικούς) σωλήνες φυσητήρα και το (αρχικό) ακροφύσιο - βλ. Σημείωση 3	dB(A)	95,6	95,6
Στάθμη ηχητικής ισχύος, εγγυημένη (L _{WA}) - βλ. σημείωση 2	dB(A)	112	112
Στάθμη ηχητικής ισχύος, μετρούμενη - βλ. σημείωση 2	dB(A)	109	109
Διαστάσεις προϊόντος			
Βάρος	kg	4,4	4,5
<p>Σημείωση 1: Τα καταγεγραμμένα στοιχεία για την ισοδύναμη στάθμη δονήσεων έχουν τυπική στατιστική διασπορά (τυπική απόκλιση) ίση με 1,5 m/s².</p> <p>Σημείωση 2: Οι εκπομπές θορύβου στο περιβάλλον, οι οποίες μετρούνται ως ηχητική ισχύς (L_{WA}), σε συμμόρφωση με την Οδηγία 2000/14/ΕΚ. Η καταγεγραμμένη στάθμη ηχητικής ισχύος για το μηχάνημα έχει μετρηθεί με το αυθεντικό παρελκόμενο, που δίνει την υψηλότερη στάθμη. Η διαφορά μεταξύ της εγγυημένης και της μετρούμενης ηχητικής ισχύος είναι ότι η εγγυημένη ηχητική ισχύς περιλαμβάνει επίσης τη διασπορά στο αποτέλεσμα της μέτρησης και τις αποκλίσεις μεταξύ των διαφορετικών μηχανημάτων του ίδιου μοντέλου σύμφωνα με την Οδηγία 2000/14/ΕΚ.</p> <p>Σημείωση 3: Τα καταγεγραμμένα στοιχεία για την αντίστοιχη στάθμη ηχητικής πίεσης για το μηχάνημα έχουν μια τυπική στατιστική διασπορά (τυπική απόκλιση) της τάξης του 3 dB (A).</p>			

Ανεμιστήρας	μονάδα	GBV 322	GBV 322VX
Τύπος		Ακτινική φτερωτή	Ακτινική φτερωτή
Μέγ. ταχύτητα αέρα, στάνταρ ακροφύσιο	km/h	322	-
Μέγ. ταχύτητα αέρα, σωλήνας™ φυσητήρα VX*	km/h	-	370
Όγκος αέρα, λειτουργία φυσητήρα	cfm	370	450
Όγκος αέρα, λειτουργία αναρρόφησης	cfm	490	490
Αναλογία τεμαχισμού		10:1	16:1
*προαιρετικά αξεσουάρ			

ΠΕΡΙΧΟΜΕΝΑ ΤΗΣ ΔΗΛΩΣΗΣ ΣΥΜΜΟΡΦΩΣΗΣ ΕΚ

Εμείς, η Husqvarna AB, SE 561 82 Huskvarna, Σουηδία, δηλώνουμε με αποκλειστική μας ευθύνη ότι το απεικονιζόμενο προϊόν:

Περιγραφή	Βενζινοκίνητος φυσητήρας/φυσητήρας-αναρροφητήρας
Επωνυμία	McCulloch

Περιγραφή	Βενζινοκίνητος φυσητήρας/φυσητήρας-αναρροφητήρας
Πλατφόρμα / Τύπος / Μοντέλο	Πλατφόρμα GHB28VPR, που αντιστοιχεί στα μοντέλα GBV 322, GBV 322VX

Περιγραφή	Βενζινοκίνητος φουσητήρας/ φουσητήρας- αναρροφητήρας
Παρτίδα	Αριθμός σειράς με ημερομηνία 2018 και μεταγενέστερη

συμμορφώνεται πλήρως με τις ακόλουθες οδηγίες και τους κανονισμούς της ΕΕ:

Οδηγία/Κανονισμός	Περιγραφή
2006/42/ΕΚ	"σχετικά με τα μηχανήματα"
2014/30 /ΕΕ	"σχετικά με την ηλεκτρομαγνητική συμβατότητα"
2000/14/ΕΚ	"σχετικά με το θόρυβο σε εξωτερικούς χώρους"

Εφαρμοζόμενα εναρμονισμένα πρότυπα ή/και τεχνικές προδιαγραφές: EN ISO 12100, EN 15503, CISPR 12, ISO 14982

Σύμφωνα με την οδηγία 2000/14/ΕΚ, Παράρτημα V, οι δηλωθείσες τιμές για τον ήχο αναφέρονται στο κεφάλαιο Τεχνικά στοιχεία αυτού του εγχειριδίου και στην υπογεγραμμένη Δήλωση συμμόρφωσης ΕΚ.

Η TÜV Rheinland N.A. εκτέλεσε εθελοντικά έλεγχο για λογαριασμό της Husqvarna AB και εξέδωσε Πιστοποιητικό συμμόρφωσης με την Οδηγία του Συμβουλίου ΕΚ 2006/42/ΕΚ για τα μηχανήματα.

Το πιστοποιητικό, όπως παρέχεται στην υπογεγραμμένη Δήλωση συμμόρφωσης ΕΚ, ισχύει για όλες τις εγκαταστάσεις παραγωγής και τις χώρες προέλευσης, όπως αναφέρονται στο προϊόν.

Ο παρεχόμενος βενζινοκίνητος φουσητήρας/φουσητήρας-αναρροφητήρας συμμορφώνεται με το δείγμα που υποβλήθηκε σε έλεγχο.

Contenido

INTRODUCCIÓN.....	82	MANTENIMIENTO.....	89
SEGURIDAD.....	83	DATOS TÉCNICOS.....	91
MONTAJE.....	86	CONTENIDO DE LA DECLARACIÓN DE	
FUNCIONAMIENTO.....	87	CONFORMIDAD CE.....	92

INTRODUCCIÓN

Manual de usuario

El idioma original de este manual de instrucciones es el inglés. Los manuales de usuario en otros idiomas son traducciones del inglés.

Revisar

(Fig. 1)

1. Correa para el hombro
2. Acelerador
3. Botón de parada
4. Control de crucero
5. Carcasa de ventilador
6. Tapón del depósito de combustible
7. Filtro de aire
8. Control del estrangulador
9. Bomba de combustible
10. Cubierta de admisión
11. Palanca del aspirador
12. Cuchilla trituradora (GBV 322VX)
13. Propulsor del ventilador
14. Tubo inferior del soplador (GBV 322)
15. Tubo del soplador (GBV 322VX)™ VX
16. Tubo superior del soplador
17. Perno
18. Silenciador
19. Cable de masa
20. Empuñadura de la cuerda de arranque
21. Dispositivo de arranque
22. Asa
23. Herramienta combinada
24. Tubo de bolsa de recogida
25. Bolsa de recogida
26. Tubo de aspirador en dos secciones
27. Tornillo
28. Manual de usuario

Símbolos que aparecen en el producto

(Fig. 2) Advertencia

(Fig. 3) Lea este manual

(Fig. 4) Utilice protección para la cabeza homologada

(Fig. 5) Utilice protección auditiva homologada

(Fig. 6) Utilice protección ocular homologada (ANSI Z87.1 o equivalente)

(Fig. 7) Utilice botas y guantes de protección homologados

(Fig. 8) Utilice mangas largas y pantalones

(Fig. 9) No lleve joyas mientras utiliza el producto.

(Fig. 10) Utilice la punta del destornillador para abrir el seguro.

(Fig. 11) No aspire piedras, grava, metal, vidrios rotos, virutas de goma u otros materiales que puedan dañar el propulsor.

(Fig. 12) El producto puede causar proyección de objetos, lo que puede provocar daños en los ojos

(Fig. 13) No se acerque al propulsor mientras esté girando

(Fig. 14) Estrangulamiento total

(Fig. 15) Estrangulamiento medio

(Fig. 16) Sin estrangulamiento

(Fig. 17) Si lleva el pelo largo, asegúrese de sujetárselo por encima de los hombros.

(Fig. 18) Distancia de seguridad

(Fig. 19) Nivel acústico garantizado

(Fig. 20) El producto cumple con las directivas CE vigentes.

(Fig. 21) El producto cumple con las directivas EAC vigentes.

(Fig. 22) El producto cumple con las directivas ucranianas vigentes.

Nota: Los demás símbolos/etiquetas que aparecen en el producto corresponden a requisitos de homologación específicos en otras zonas comerciales.

UE V



ADVERTENCIA: La manipulación del motor anula la homologación de la UE de este producto.

SEGURIDAD

Definiciones de seguridad

Las definiciones siguientes indican el nivel de gravedad para cada palabra de señalización de riesgo.



ADVERTENCIA: Lesiones a personas.



PRECAUCIÓN: Daños en el producto.

Nota: Esta información hace que el producto sea más fácil de usar.

Instrucciones generales de seguridad

- Use el producto correctamente. Las lesiones o la muerte son un posible resultado de un uso incorrecto. Utilice el producto solo para las tareas indicadas en este manual. No utilice el producto para otras tareas.
- Respete las instrucciones de este manual. Respete los símbolos de seguridad y las instrucciones de seguridad. Si el operador no respeta las instrucciones y los símbolos, pueden producirse lesiones, daños materiales o la muerte.
- No se deshaga de este manual. Utilice las instrucciones para montar su producto, utilizarlo y mantenerlo en buen estado. Utilice las instrucciones para la correcta instalación de los complementos y accesorios. Utilice únicamente complementos y accesorios autorizados.
- No utilice un producto dañado. Respete el programa de mantenimiento. Realice solamente el trabajo de mantenimiento indicado en las instrucciones de este manual. Todos los demás trabajos de

Responsabilidad sobre el producto

Como se estipula en las leyes de responsabilidad del producto, no nos hacemos responsables de los daños y perjuicios causados por nuestro producto si:

- El producto se ha reparado incorrectamente.
- El producto se ha reparado con piezas que no eran del fabricante o no autorizadas por el fabricante.
- El producto tiene un accesorio que no es del fabricante o no está autorizado por este.
- El producto no se ha reparado en un centro de servicio autorizado o por un organismo homologado.

mantenimiento debe hacerlos un centro de servicio autorizado.

- Este manual no puede incluir todas las situaciones que pueden producirse cuando utilice el producto. Proceda con cuidado y utilice el sentido común. No utilice el producto ni realice el mantenimiento del producto si no está seguro de cuál es la situación. Hable con un experto en el producto, su distribuidor, un taller de servicio o centro de servicio autorizado para obtener información.
- Desconecte el cable de la bujía antes de montar el producto, almacenarlo o realizar tareas de mantenimiento.
- No utilice el producto si se ha modificado respecto de sus especificaciones iniciales. No cambie una parte del producto sin la autorización del fabricante. Utilice únicamente piezas recomendadas por el fabricante. Las lesiones o la muerte son un posible resultado de un mantenimiento incorrecto.
- No inhale los vapores del motor. La inhalación los gases de escape del motor durante un tiempo prolongado supone un riesgo para la salud.
- Nunca arranque el producto en interiores ni cerca de material inflamable. Los gases de escape están calientes y pueden contener una chispa que puede iniciar un incendio. Una circulación de aire insuficiente puede causar lesiones o la muerte por asfixia o inhalación de monóxido de carbono.
- Al utilizar este producto, el motor emite un campo electromagnético. El campo electromagnético puede provocar daños en implantes médicos. Consulte a su médico y al fabricante del implante médico antes de usar el producto.
- No deje que un niño maneje el producto. No permita que nadie maneje el producto sin conocer las instrucciones.
- Si una persona con discapacidad física o mental usa el producto, asegúrese de supervisarla en todo momento. Debe haber presente en todo momento una persona mayor de edad responsable.

- Cierre con llave el producto en un área a la que no puedan acceder las personas no autorizadas ni los niños.
- El producto puede proyectar objetos con fuerza y causar lesiones. Respete las instrucciones de seguridad para reducir el riesgo de lesiones o muerte.
- No deje desatendido el producto con el motor encendido.
- El operador del producto es el responsable si se produce un accidente.
- Asegúrese de que las piezas no estén dañadas antes de utilizar el producto.
- Asegúrese de que se encuentra a una distancia mínima de 15 m (50 pies) de otras personas o animales antes de utilizar el producto. Asegúrese de que las personas que pueda haber en el área circundante sepan que va a usar el producto.
- Consulte las leyes nacionales o locales. Pueden prohibir o limitar el funcionamiento del producto en circunstancias determinadas.
- No utilice el producto si está cansado o se encuentra bajo los efectos de alcohol, drogas o medicamentos, que pueden tener efectos sobre su visión, capacidad de reacción, coordinación o criterio.
- No utilice el producto si hay otra persona en la zona de trabajo. Detenga el producto si alguien entra en la zona de trabajo.
- No utilice el producto en un espacio con un flujo de aire insuficiente. Una circulación de aire insuficiente puede causar lesiones o la muerte por asfixia o inhalación de monóxido de carbono.
- El silenciador se calienta mucho cuando el producto está encendido, después de que pare o cuando funciona a velocidad en ralentí. Tenga cuidado cerca de materiales y gases inflamables.
- No toque la zona de la cubierta de admisión. Mantenga las joyas y las prendas de ropa sueltas lejos de la zona de admisión.
- Mantenga siempre una postura correcta y utilice el producto solamente sobre superficies seguras y regulares. Las superficies resbaladizas o inestables, tales como las escaleras, pueden causar una pérdida de equilibrio o control.
- No utilice el producto en zonas elevadas, como un techo.
- Asegure el producto durante el transporte.
- Utilice el producto solamente en las horas recomendadas. Cumpla con las normas locales. La recomendación habitual es de 9:00 a.m. a 5:00 p.m., de lunes a sábado.

Seguridad respecto a las vibraciones

Este producto está diseñado para uso ocasional exclusivamente. El uso frecuente o continuo del producto puede provocar casos de enfermedad de Raynaud o problemas médicos similares debido a las vibraciones. Observe el estado de sus manos y dedos si usa el producto de forma frecuente o continua. Si sus manos o dedos presentan decoloración, dolor, hormigueo o entumecimiento, deje de trabajar y acuda a un médico de inmediato.

Instrucciones de seguridad para el funcionamiento del soplador

- Utilice el producto sólo para soplar o quitar hojas y otros residuos en el suelo.
- Nunca utilice el producto si está cansado, enfermo o si se encuentra bajo los efectos del alcohol, drogas o medicamentos.
- No permita que haya espectadores o animales a menos de 15 m (50 pies) del operador.
- El producto puede expulsar objetos a gran velocidad que pueden rebotar y golpear al operador. Esto puede causar lesiones oculares.
- No oriente la boquilla del soplador hacia personas o animales.
- Si lleva el pelo largo, asegúrese de sujetárselo por encima de los hombros.
- Detenga el motor antes de montar o desmontar los accesorios u otros componentes.
- No utilice el producto sin protección.
- Utilice el producto en la menor aceleración posible para realizar el trabajo.
- Asegúrese de que no corre riesgo de caerse mientras utiliza el producto. No se incline mientras utiliza el producto.
- Asegúrese de que el producto está en buenas condiciones antes de su uso, especialmente el silenciador, la entrada de aire y el filtro de aire.
- Utilice un rastrillo o una escoba para aflojar los residuos del suelo antes de utilizar el producto.
- Si la zona de trabajo está muy sucia, rocíela con una manguera.
- Utilice el producto como una alternativa a una manguera para ahorrar agua.
- Sople la suciedad con seguridad. Tenga cuidado con los niños, animales, ventanas abiertas y vehículos.
- No apunte el producto hacia plantas frágiles.
- No sople aire hacia objetos tales como paredes, rocas grandes, vehículos y vallas.
- Si trabaja en esquinas internas, sople desde la esquina y hacia el centro de la zona de trabajo. De no hacerlo, los residuos pueden golpearle en la cara y causar lesiones oculares.
- Utilice la extensión de boquilla completa para mantener la corriente de aire cerca del suelo.
- Es necesario que los espectadores lleven protección ocular.
- Deseche los residuos en los contenedores de residuos después de usar el producto.

Instrucciones de seguridad para el funcionamiento del aspirador

- Evite daños en el ventilador. No aspire elementos grandes y sólidos, tales como madera, latas, caucho o cuerdas largas.
- No deje que el tubo del aspirador golpee el suelo.
- Detenga el motor y desconecte el tapón de la bujía antes de quitar el material que esté causando bloques u obstrucciones.

Equipo de protección personal

- Utilice siempre el equipo de protección personal adecuado cuando utilice el producto. El equipo de protección personal no elimina el riesgo de lesiones. El equipo de protección personal reduce la gravedad de las lesiones en caso de accidente.
- Utilice siempre una protección ocular homologada mientras utiliza el producto.
- No utilice el producto con los pies descalzos o con calzado abierto. Utilice siempre botas de trabajo antideslizantes.
- Utilice pantalones largos gruesos.
- Si es necesario, utilice guantes protectores homologados.
- Utilice un casco si existe la posibilidad de caída de objetos sobre la cabeza.
- Utilice siempre protección auditiva homologada mientras utiliza el producto. La exposición al ruido durante un periodo de tiempo prolongado puede causar pérdida de audición.
- Utilice siempre una máscara de polvo homologada mientras utiliza el producto en entornos con mucho polvo.
- Asegúrese de que tiene cerca un botiquín de primeros auxilios.

Dispositivos de seguridad en el producto

- Asegúrese de efectuar regularmente el mantenimiento del producto.
 - La vida útil del producto aumenta.
 - El riesgo de accidentes disminuye.
- Deje que un concesionario autorizado o un centro de servicio autorizado examine regularmente el producto para realizar ajustes o reparaciones.
- No utilice un producto con equipo de protección dañado. Si el producto está dañado, hable con un centro de servicio autorizado.

Botón de parada

Arranque el motor. Asegúrese de que el motor se detiene al poner el botón de parada en la posición de parada.

Silenciador



ADVERTENCIA: No toque el silenciador si está caliente. El silenciador se calienta mucho mientras funciona el motor y después de pararlo. Tocar el silenciador puede causar quemaduras.

- No utilice un motor con un silenciador defectuoso. Un silenciador defectuoso aumenta el nivel de ruido y el riesgo de incendio. Tenga siempre a mano un extintor de incendios.
- Examine regularmente que el silenciador esté conectado al producto.
- No toque el motor ni el silenciador cuando el motor está encendido. No toque el motor ni el silenciador durante un tiempo después de parar el motor. Las superficies calientes pueden causar lesiones.
- Un silenciador caliente puede provocar un incendio. Tenga cuidado si utiliza el producto cerca líquidos o vapores inflamables.
- No toque las piezas del silenciador si este está dañado. Las piezas pueden contener productos químicos cancerígenos.
- Algunos modelos de sopladores disponen de una pantalla apagachispas. Limpie y reemplace la pantalla en intervalos específicos. Consulte la sección de mantenimiento (*MANTENIMIENTO en la página 89*).

Seguridad en el uso del combustible

- No arranque el producto si está manchado con combustible o aceite del motor. Retire el combustible/aceite no deseado y deje secar el producto. Retire el combustible no deseado del producto.
- Si derrama combustible sobre la ropa, cámbiese inmediatamente.
- Evite el contacto con el combustible; puede provocarle lesiones. Si entra en contacto con el combustible, utilice jabón y agua para eliminar el combustible.
- No arranque el motor si derrama aceite o combustible sobre el producto o sobre su cuerpo.
- No arranque el motor si el producto tiene una fuga. Examine frecuentemente si hay fugas en el motor.
- Tenga cuidado con el combustible. El combustible es inflamable, sus vapores son explosivos y puede provocar lesiones o la muerte.
- No inhale los vapores de combustible, ya que pueden causar lesiones. Asegúrese de que hay ventilación suficiente.
- No fume cerca del combustible o el motor.
- No coloque objetos calientes cerca del combustible o el motor.
- No agregue el combustible con el motor encendido.
- Asegúrese de que el motor esté frío antes repostar.

- Antes de repostar, abra la tapa del depósito de combustible lentamente y deje salir el exceso de presión con cuidado.
- No añada combustible al motor en interiores. Una circulación de aire insuficiente puede causar lesiones o la muerte por asfixia o inhalación de monóxido de carbono.
- Apriete la tapa del depósito de combustible con cuidado o puede producirse un incendio.
- Antes de arrancarlo, lleve el producto a 3 m (10 pies) de distancia como mínimo del punto en el que llenó el depósito.
- No ponga demasiado combustible en el depósito de combustible.
- Asegúrese de que no pueda producirse una fuga al mover el producto o recipiente de combustible.
- No coloque el producto o un recipiente de combustible cerca de una llama descubierta, chispa o llama piloto. Asegúrese de que la zona de almacenamiento no contiene una llama descubierta.
- Utilice únicamente recipientes homologados para transportar o almacenar el combustible.
- Vacíe el depósito de combustible antes de almacenarlo por un tiempo prolongado. Respete la

legislación local sobre lugares aptos para desechar combustible.

- Limpie el producto antes de almacenarlo por un tiempo prolongado.
- Desconecte el cable de la bujía antes de almacenar el producto para asegurarse de que el motor no arranque accidentalmente.

Instrucciones de seguridad para el mantenimiento



ADVERTENCIA: El mantenimiento incorrecto puede provocar daños importantes al motor o lesiones personales graves.

El propietario es responsable de llevar a cabo el mantenimiento que se indica en el manual del operador. Desconecte la bujía antes del mantenimiento. No desconecte la bujía antes de realizar ajustes en el carburador.

MONTAJE



ADVERTENCIA: Lea el capítulo de seguridad antes de montar el producto.

Para instalar el tubo superior del soplador

1. Alinee la ranura del tubo superior del soplador (A) con la lengüeta de la salida del soplador (B). (Fig. 23)
2. Empuje el tubo superior del soplador completamente sobre la salida del soplador.
3. Gire el tubo superior del soplador hasta que el orificio del tubo esté alineado con las roscas de la tuerca de la salida del soplador. (Fig. 24)
4. Instale el tornillo (C). (Fig. 25)
5. Gire el tornillo hacia la derecha con un destornillador para fijar el tubo.

Para instalar el tubo inferior del soplador

1. Alinee las ranuras del tubo inferior del soplador (A) con las lengüetas del tubo superior del soplador (B). (Fig. 26)
2. Empuje el tubo inferior del soplador completamente sobre el tubo superior del soplador.
3. Gire el tubo inferior del soplador completamente hasta que la lengüeta encaje al final de la ranura. (Fig. 27)

Para instalar el TM tubo del soplador VX

1. Alinee las ranuras en el TM tubo del soplador VX (A) con las lengüetas del tubo superior del soplador (B). (Fig. 28)
2. Empuje el TM tubo del soplador VX completamente sobre el tubo superior del soplador.
3. Gire el TM tubo del soplador VX completamente hasta que la lengüeta encaje al final de la ranura. (Fig. 29)

Para instalar el tubo superior de aspiración

1. Introduzca la punta de un destornillador en el área del seguro de la entrada de aspiración (Fig. 30)
2. Inclíne suavemente el mango del destornillador hacia la parte frontal del producto para abrir el seguro.
3. Mantenga la cubierta de la toma de aspiración abierta hasta que el tubo superior de aspiración esté colocado. (Fig. 31)
4. Alinee el resalte del interior de la toma de aspiración con las ranuras del tubo superior de aspiración.

Nota: Alinee los indicadores de la apertura de la toma de aspiración y del tubo superior de aspiración.

5. Empuje el tubo superior de aspiración hasta introducirlo completamente en la toma de aspiración.

- Gire el tubo superior de aspiración completamente hacia la derecha hasta que oiga un clic. (Fig. 32)

Para instalar el tubo inferior de aspiración

- Alinee la ranura del tubo inferior de aspiración con la lengüeta del tubo superior de aspiración.
- Empuje el tubo inferior de aspiración completamente sobre el tubo superior de aspiración hasta que la lengüeta encaje al final de la ranura. (Fig. 33)
- Instale el tornillo.
- Gire el tornillo hacia la derecha con un destornillador para fijar el tubo. (Fig. 34)

Para instalar el tubo de la bolsa de recogida

- Alinee la ranura del tubo de la bolsa de recogida (A) con la lengüeta de la salida del soplador (B). (Fig. 35)
- Empuje el tubo de la bolsa de recogida completamente sobre la salida del soplador.
- Gire el tubo de la bolsa de recogida hasta que el orificio del tubo esté alineado con las rosas de la tuerca de la salida del soplador. (Fig. 36)
- Instale el tornillo (C).
- Gire el tornillo hacia la derecha con un destornillador para fijar el tubo. (Fig. 37)

FUNCIONAMIENTO



ADVERTENCIA: Asegúrese de leer y comprender el capítulo sobre seguridad antes de utilizar el producto.

Carburante

Para usar combustible



PRECAUCIÓN: Este producto tiene un motor de dos tiempos. Utilice una mezcla de gasolina y aceite de motor de dos tiempos. Asegúrese de que utiliza la cantidad correcta de aceite en la mezcla. Una mezcla de gasolina y aceite en proporción incorrecta puede causar daños en el motor.

- Proporción de mezcla 50:1 (2 %)

Gasolina	Aceite
1 galón estadounidense	77 ml (2,6 oz)
1 galón británico	95 ml (3,2 oz)
5 l	100 ml (3,4 oz)

Para hacer la mezcla de combustible

Nota: Utilice siempre un contenedor de combustible limpio cuando mezcle el combustible.

Nota: No prepare cantidad de mezcla de combustible para más de 30 días.

Gasolina



PRECAUCIÓN: No utilice gasolina con un octanaje inferior a 90 octanos RON (87 AKI). Esto puede provocar daños en el producto.



PRECAUCIÓN: No utilice gasolina con una concentración de etanol de más del 10 % (E10). Esto puede provocar daños en el producto.

- Utilice siempre gasolina sin plomo nueva con un octanaje mínimo de 90 RON (87 AKI) y con una concentración de etanol de menos de 10 % (E10).
- Utilice gasolina con un mayor octanaje si utiliza con frecuencia el producto a un régimen del motor alto de manera continua.

Aceite de motor de dos tiempos

- Utilice únicamente aceite de motor de dos tiempos de alta calidad. Utilice únicamente aceite de motor refrigerado por aire.
- No utilice otros tipos de aceite.

- Añada la mitad de la cantidad de gasolina.
- Añada la cantidad total de aceite.
- Agite bien la mezcla de combustible para mezclar el contenido.
- Agregue la cantidad restante de gasolina.
- Agite bien la mezcla de combustible para mezclar el contenido.
- Llene el depósito de combustible.

Para añadir combustible

- Utilice un recipiente de combustible con válvula antirreboso.
- Si hay algo de combustible en el recipiente, retire el combustible no deseado y deje secar el recipiente.
- Asegúrese de que la zona cercana a la tapa del depósito de combustible está limpia.
- Sacuda el contenedor de combustible antes de agregar la mezcla de combustible al depósito de combustible.

Para arrancar y parar

Antes de arrancar el motor

- Examine el producto para asegurarse de que no faltan piezas, ni están dañadas, sueltas o desgastadas.
- Examine la bolsa de recogida. Asegúrese de que la bolsa de recogida no está dañada y que la cremallera está cerrada.
- Inspeccione tuercas, tornillos y pernos.
- Examine el filtro de aire.
- Examine que el acelerador funciona correctamente.
- Examine que el interruptor de parada funciona correctamente.
- Examine el producto por si hubiera fugas de combustible.

Para arrancar el motor en frío



ADVERTENCIA: No se enrolle la cuerda de arranque alrededor del brazo.



PRECAUCIÓN: No sujete el producto con el pie.



PRECAUCIÓN: No tire de la cuerda de arranque hasta la posición final. No suelte la empuñadura de la cuerda de arranque cuando esté extendida. Esto puede provocar daños en el producto.

Nota: Si el motor se detiene, mueva el mando del estrangulador a la posición cerrada y siga los pasos de arranque de nuevo.

1. Llene el depósito de combustible con una mezcla de combustible limpio.
2. Utilice la mano izquierda para sujetar el cuerpo de la máquina en el suelo. Asegúrese de que el extremo del soplador no apunta hacia personas, animales, cristales u objetos sólidos.
3. Presione lentamente la perilla de la bomba de combustible 10 veces.
4. Mueva la palanca del estrangulador hasta la posición FULL CHOKE.
5. Apriete el mecanismo de aceleración y manténgalo apretado
6. Tire rápidamente de la empuñadura de la cuerda de arranque (no más de 3 veces) hasta que el motor haga un intento de ponerse en marcha.

Nota: Si la temperatura es inferior a 4 °C (40 °F), siga tirando de la empuñadura de la cuerda de

arranque hasta que el motor haga un intento de ponerse en marcha.

7. Mueva la palanca del estrangulador hasta la posición HALF CHOKE.
8. Tire con rapidez de la empuñadura de la cuerda de arranque hasta que el motor se ponga en marcha.
9. Deje que el motor funcione durante 10 segundos.
10. Mueva la palanca del estrangulador hasta la posición NO CHOKE.

Para arrancar el motor en caliente

1. Presione lentamente la perilla de la bomba de combustible 10 veces.
2. Mueva la palanca del estrangulador hasta la posición HALF CHOKE.
3. Tire con rapidez de la empuñadura de la cuerda de arranque hasta que el motor se ponga en marcha.
4. Mueva la palanca del estrangulador hasta la posición NO CHOKE.

Arranque de un motor con bloqueo de vapor

El bloqueo de vapor se produce cuando el combustible en el tubo de combustible o en el carburador se vaporiza debido al aumento de la temperatura.

El producto puede sufrir un bloqueo de vapor si no vuelve a arrancar cuando la temperatura ambiente supera los 35 °C (95 °F) y ha permanecido apagado entre 15 y 45 minutos.

1. Presione la perilla de la bomba de combustible una y otra vez entre 10 y 15 segundos.
2. Mueva la palanca del estrangulador hasta la posición HALF CHOKE.
3. Tire con rapidez de la empuñadura de la cuerda de arranque hasta que el motor se ponga en marcha.
4. Deje que el motor se caliente durante 3 minutos al ralentí.
5. Mueva la palanca del estrangulador hasta la posición NO CHOKE.

Parada del motor

- Presione y suelte el interruptor STOP del motor. El interruptor volverá automáticamente a la posición ON. Espere 7 segundos antes de intentar arrancar el producto de nuevo para asegurarse de que el interruptor se restablece.

Para ajustar el™ tubo del soplador VX

1. Alinee la ranura correcta (A o B) del™ tubo del soplador VX exterior con la lengüeta (C) del tubo interno. (Fig. 38)

Nota: No puede ver la lengüeta cuando los tubos están montados. Debe notar la posición de la lengüeta mientras mueve el tubo externo.

Nota: Encaje la lengüeta en la posición "A" para obtener una apertura grande del soplador. Una apertura grande del soplador desplaza amplias áreas de hojas secas y otros materiales no deseados. Encaje la pestaña en la posición "B" para una obtención de una apertura pequeña del soplador. Una apertura pequeña del soplador facilita una circulación de aire más rápida para limpiar grietas y bordes, y para apartar material pesado como hojas mojadas.

2. Gire el tubo externo como se indica para desenganchar la lengüeta de la ranura. (Fig. 39)
3. Mueva el tubo externo a lo largo del tubo interno para cambiar la posición. (Fig. 40)
4. Gire el tubo externo como se muestra hasta que la lengüeta esté totalmente encajada en el extremo de la ubicación correcta de la ranura. (Fig. 41)

Posición de funcionamiento

- Soplador (Fig. 42)
- Aspirador (Fig. 43)

Aspiración

Antes de empezar a aspirar, colóquese el equipo de protección necesario.



ADVERTENCIA: Asegúrese de que la bolsa no esté dañada y que la cremallera esté cerrada antes de su uso. No utilice una bolsa que esté dañada. Esto evita daños

causados por los residuos proyectados. El uso con la mano izquierda aumenta el riesgo. No deje que su cuerpo toque la zona de salida del escape.



ADVERTENCIA: No arranque el soplador si la cubierta de admisión está abierta o dañada (excepto si se ha añadido el tubo de aspiración).

- Mientras se usa el soplador, la correa para el hombro tiene que sujetar la bolsa de recogida. La correa debe colocarse en la parte superior del hombro.
- Arranque el soplador. Siga las instrucciones en la sección de arranque y parada *Para arrancar y parar en la página 88*. Lea las instrucciones de seguridad *SEGURIDAD en la página 83*.

Vaciado de la bolsa de recogida



ADVERTENCIA: Siempre examine la bolsa de recogida. Asegúrese de que no esté dañada y que la cremallera esté cerrada antes de su uso. No utilice una bolsa dañada. Existe el riesgo de heridas causadas por los residuos proyectados. Tenga cuidado si utiliza la mano izquierda. No toque la zona de salida del escape.

1. Pare el producto.
2. Abra la cremallera en el lateral.
3. Vacíe la bolsa de recogida.
4. Cierre la cremallera.

MANTENIMIENTO



ADVERTENCIA: Asegúrese de leer y comprender el capítulo sobre seguridad antes de limpiar, reparar o realizar tareas de mantenimiento en el producto.

Programa de mantenimiento

Asegúrese de que se respete el programa de mantenimiento. Los intervalos se calculan a partir de uso diario del producto. Los intervalos son diferentes si no utiliza el producto cada día. Realice solamente el trabajo de mantenimiento indicado en este manual. Hable con un centro de servicio autorizado acerca de otros trabajos de mantenimiento que no aparezcan en este manual.

Mantenimiento diario

- Limpie las superficies externas.
- Examine la función del ajuste del régimen y del acelerador. Sustituya las piezas dañadas.

- Examine el botón de parada. Si es necesario, sustitúyalo.
- Examine el régimen de ralentí.
- Limpie el filtro de aire. Si es necesario, sustitúyalo.
- Asegúrese de que la cubierta de admisión se puede bloquear en la posición cerrada. Asegúrese de que el propulsor esté limpio.
- Apriete todas las tuercas y tornillos.
- Asegúrese de que las carcasas no tienen grietas.
- Asegúrese de que la bolsa no está dañada y que el cierre de cremallera funciona. Sustituya la bolsa si es necesario.

Mantenimiento semanal

- Examine el estado del dispositivo de arranque, la cuerda de arranque y el muelle de tensión. Sustituya todas las piezas dañadas.
- Examine el estado de la entrada de aire en el dispositivo de arranque. Retire los residuos si la entrada de aire está obstruida.

- Limpie el lado externo de la bujía. Quitarla y examine la distancia entre los electrodos. Ajuste la distancia a 6 mm (0,024 pulg.) o cambie la bujía.
- Limpie las aspas del propulsor.
- Limpie la pantalla apagachispas y reemplácela si fuese necesario (no lo haga con silenciadores con un convertidor catalítico).
- Limpie la zona del carburador.
- Limpie el filtro de aire.

Mantenimiento mensual

- Examine la empuñadura de la cuerda de arranque y la cuerda de arranque.
- Limpie el depósito de combustible.
- Limpie el carburador y la zona alrededor del mismo.
- Limpie las aspas del propulsor.
- Examine si existen grietas u otras averías en los conductos de combustible. Sustitúyala si es necesario
- Cambie el filtro de combustible del depósito de combustible.
- Examine todos los cables y conexiones.
- Cambie la bujía.
- Cambie el filtro de aire.

Mantenimiento anual

- Examine la bujía.
- Limpie la superficie externa del carburador y las zonas adyacentes.
- Limpie el sistema de refrigeración.
- Examine el apagachispas.
- Examine el filtro de combustible.
- Examine la manguera de combustible en busca de daños.
- Examine todos los cables y conexiones.

Mantenimiento cada 50 horas

- Lleve el producto a un centro de servicio autorizado para reparar o sustituir el silenciador.

Para ajustar el régimen de ralentí

Asegúrese de que el filtro de aire está limpio y la cubierta del filtro de aire está conectada antes de ajustar el régimen de ralentí.

Regule la velocidad de ralentí con el tornillo de ajuste. (Fig. 44)

El régimen de ralentí es correcto cuando el motor funciona con suavidad en todas las posiciones.

1. Gire el tornillo de ralentí hacia la derecha para aumentar la velocidad.
2. Gire el tornillo de ralentí hacia la izquierda para bajar la velocidad.

Para realizar el mantenimiento del apagachispas

Utilice un cepillo de alambre para limpiar el apagachispas.

Para limpiar el sistema de refrigeración

Limpie las piezas del sistema de refrigeración con un cepillo.

Para examinar la bujía



PRECAUCIÓN: Utilice siempre el tipo de bujía recomendado. El uso de un tipo de bujía incorrecto puede causar averías en el producto.

- Examine la bujía si el motor tiene baja potencia, no es fácil de arrancar o no funciona correctamente al régimen de ralentí.
- Para reducir el riesgo de material no deseado en los electrodos de la bujía, siga estas instrucciones:
 - a) Asegúrese de que el régimen de ralentí está bien ajustado.
 - b) Asegúrese de que la mezcla de combustible sea correcta.
 - c) Asegúrese de que el filtro de aire esté limpio.
- Si la bujía está muy sucia, límpiela y asegúrese de que la distancia entre los electrodos sea la correcta. Consulte *DATOS TÉCNICOS en la página 91*. (Fig. 45)
- Sustituya la bujía si es necesario.

Para realizar el mantenimiento del filtro de aire

Para limpiar el filtro de aire

1. Saque la cubierta del filtro de aire y extraiga el filtro de aire.
2. Limpie el filtro de aire con agua jabonosa tibia. Asegúrese de que el filtro de aire esté seco antes de instalarlo.
3. Sustituya el filtro de aire si está demasiado sucio para poder limpiarlo completamente. Sustituya siempre el filtro de aire si se avería.
4. Si su producto tiene un filtro de aire de espuma, aplique aceite para filtro de aire. Solo aplique aceite para filtro de aire a los filtros de espuma. No aplique aceite a un filtro de fieltro.

DATOS TÉCNICOS

	unidad	GBV 322 (GHB28VPR)	GBV 322VX (GHB28VPR)
Especificaciones del motor			
Cilindrada	cm ³	26	26
Distancia entre los electrodos	mm	0,6	0,6
Volumen del depósito de combustible	cm ³	500	500
Velocidad en ralentí	min ⁻¹	2800 - 3200	2800 - 3200
Velocidad de potencia máxima	min ⁻¹	8000	8000
Potencia de salida	kW	0,8	0,8
Bujía		Champion RCJ-6Y	Champion RCJ-6Y
Velocidad máxima en modo de soplado	min ⁻¹	8600	8600
Velocidad máxima en modo de vacío	min ⁻¹	--	7500
Período de durabilidad de emisiones	h	50	50
Datos de vibración y ruido			
Nivel de vibración equivalente en los mangos con los tubos y la boquilla (originales) del soplador - consulte la nota 1	m/s ²	7,5	7,5
Nivel de vibración equivalente en los mangos con tubos de aspiración (original), izquierda/derecha - consulte la nota 1	m/s ²	7.4	7.4
Nivel de presión de sonido equivalente en el oído del operador medido según la norma ISO 22868, equipado con los tubos y la boquilla (originales) del soplador - consulte la nota 3	dB(A)	95,6	95,6
Nivel de potencia de sonido, garantizado (LWA) - ver la nota 2	dB(A)	112	112
Nivel de potencia acústica medida - ver la nota 2	dB(A)	109	109
Dimensiones del producto			
Peso	kg	4,4	4,5
<p>Nota 1: Los datos referidos al nivel de vibración tienen una dispersión estadística habitual (desviación estándar) de 1,5 m/s².</p> <p>Nota 2: Emisiones sonoras en el entorno medidas como potencia acústica (L_{WA}) según la directiva 2000/14/CE. El nivel referido de potencia sonora de la máquina se ha medido con el equipo original que produce el nivel más elevado. La diferencia entre la potencia sonora garantizada y medida es que la potencia sonora garantizada también incluye la dispersión en el resultado de la medición y las variaciones entre diferentes máquinas del mismo modelo, según la directiva 2000/14/CE.</p> <p>Nota 3: Los datos referidos al nivel de presión sonora equivalente de la máquina tienen una dispersión estadística típica (desviación estándar) de 3 dB(A).</p>			

Ventilador	unidad	GBV 322	GBV 322VX
Tipo		Ventilador radial	Ventilador radial
Velocidad máxima de aire, boquilla estándar	km/h	322	-
Velocidad máxima del aire, VX™ Tubo del soplador*	km/h	-	370
Volumen de aire en el modo de soplado	cfm	370	450
Volumen de aire en el modo de aspiración	cfm	490	490
Relación de trituración		10:1	16:1
*accesorio opcional			

CONTENIDO DE LA DECLARACIÓN DE CONFORMIDAD CE

Nosotros, Husqvarna AB, SE 561 82 Huskvarna, SUECIA, declaramos bajo nuestra exclusiva responsabilidad que el producto representado:

Descripción	Soplador a gasolina/ soplador-aspirador
Marca	McCulloch
Plataforma/tipo/modelo	Plataforma GHB28VPR, que representa los modelos GBV 322 y GBV 322VX
Lote	Número de serie a partir del año 2018 y en adelante

El certificado, como se indica en la declaración de conformidad CE firmada, es aplicable a todas las plantas de fabricación y países de origen, tal y como se indica en el producto.

El soplador de gasolina / soplador-aspirador suministrado concuerda con el ejemplar sometido a examen.

Cumple las siguientes directivas y normas de la UE:

Directiva/Norma	Descripción
2006/42/CE	"relativa a las máquinas"
2014/30/UE	"relativa a la compatibilidad electromagnética"
2000/14/CE	"relativa al ruido en exteriores"

Las normas armonizadas o especificaciones técnicas aplicadas son las siguientes: EN ISO 12100, EN 15503, CISPR 12, ISO 14982

De acuerdo con la directiva 2000/14/CE, Anexo V, los valores de sonido declarados se indican en el capítulo Datos técnicos de este manual y en la declaración de conformidad CE firmada.

TÜV Rheinland N.A. ha efectuado un examen voluntario para Husqvarna AB, que proporciona el certificado de conformidad con la directiva del Consejo Europeo 2006/42/CE referente a máquinas.

Sisukord

SISSEJUHATUS.....	93	HOOLDUS.....	99
OHUTUS.....	94	TEHNILISED ANDMED.....	101
KOKKUPANEK.....	97	EL-I VASTAVUSDEKLARATSIOONI SISU.....	102
Kasutamine.....	97		

SISSEJUHATUS

Kasutusjuhend

Selle kasutusjuhendi originaal on koostatud inglise keeles. Teistes keeltes kasutusjuhendid on tõlgitud inglise keelest.

Ülevaade

(Joon. 1)

1. Ölarihm
2. Gaasihoovastiku nupp
3. Seiskamislüliti
4. Kiirushoidik
5. Tiiviku korpus
6. Kütusepaagi kork
7. Õhufilter
8. Õhuklapp
9. Kütusepump
10. Sissevõtuava kate
11. Imuri käepide
12. Multšimistera (GBV 322VX)
13. Ventilaatori tiivik
14. Alumine puhuritoru (GBV 322)
15. VX™ puhuritoru (GBV 322VX)
16. Ülemine puhuritoru
17. Polt
18. Summuti
19. Maandusjuhe
20. Käivitusnööri käepide
21. Käivitiseade
22. Käepide
23. Kombitööriist
24. Kogumiskoti toru
25. Kogumiskott
26. Kaheosaline vaakumtoru
27. Kruvi
28. Kasutusjuhend

Sümbolid tootel

(Joon. 2) Hoiatus

(Joon. 3) Lugege läbi käesolev kasutusjuhend

(Joon. 4) Kandke heakskiidetud kiivrit

(Joon. 5) Kandke heakskiidetud kõrvaklappe

(Joon. 6) Kandke heakskiidetud silmakaitsevahendeid (ANSI Z87.1 või samaväärne)

(Joon. 7) Kandke heakskiidetud kaitsejalatseid ja - kindaid

(Joon. 8) Kandke pikkade varrukate ja säärttega riietust

(Joon. 9) Ärge kandke toote kasutamise ajal ehteid.

(Joon. 10) Kinnituse avamiseks kasutage kruvikeeraja otsa.

(Joon. 11) Ärge kasutage seadet kivide, kruusa, metalli, purunenud klaasi, kummipuru ja muude materjalide imemiseks, et vältida tiiviku kahjustamist.

(Joon. 12) Toode võib esemeid õhku paisata ja see võib kahjustada silmi

(Joon. 13) Ärge minge pöörleva tiiviku lähedusse

(Joon. 14) Täisgaasiasend

(Joon. 15) Poolgaasiasend

(Joon. 16) Nullasend

(Joon. 17) Jälgige, et pikad juuksed ei ulatuks õlgadest allapoole.

(Joon. 18) Ohutsoon

(Joon. 19) Garanteeritud helivõimsuse tase

(Joon. 20) See seade vastab kehtivatele EÜ direktiividele.

(Joon. 21) See seade vastab kehtivatele EAC direktiividele.

See seade vastab kehtivatele Ukraina
(Joon. 22) direktiividele.

Märkus: Seadmel toodud ülejäänud sümbolid/tähised vastavad muude kommertsvaldkondade sertifitseerimisnõuetele.

EL V



HOIATUS: Mootori igasugune modifitseerimine, muutmine või rikkumine tühistab toote EL-i tüübikinnituse.

OHUTUS

Ohutuse määratlused

Järgnevad määratlused näitavad mürgusõnade raskusastet.



HOIATUS: Kehavigastused.



ETTEVAATUST: Toote kahjustus.

Märkus: See teave hõlbustab toote kasutamist.

Üldised ohutuseeskirjad

- Kasutage toodet õigesti. Valesti kasutamise tagajärjeks võib olla kehavigastus või surm. Kasutage toodet ainult käesolevas kasutusjuhendis kirjeldatud tööde tegemiseks. Ärge kasutage toodet muude tööde tegemiseks.
- Järgige käesolevas kasutusjuhendis toodud juhiseid. Järgige hoiatussümboleid ja ohutuseeskirju. Kui operaator ei järgi juhiseid, eeskirju ja sümboleid, võib selle tagajärjeks olla kahjustus, kehavigastus või surm.
- Hoidke see kasutusjuhend alles. Tarvitage kasutusjuhendit toote kokkupanemisel, kasutamisel ja heas töökorras hoidmisel. Tarvitage kasutusjuhendit tarvikute ja lisavarustuse õigele paigaldamiseks. Kasutage ainult heakskiidetud tarvikuid ja lisavarustust.
- Ärge kasutage kahjustatud toodet. Järgige hoolduskeemi. Tehke ainult neid hooldustöid, mille juhised on toodud selles kasutusjuhendis. Kõik ülejäänud hooldustööd peab tegema volitatud hoolduskeskus.
- Selles kasutusjuhendis ei saa kirjeldada kõiki olukordi, mis võivad toote kasutamise käigus ette tulla. Olge ettevaatlik ja kasutage tervet mõistust. Ärge kasutage toodet ega tehke hooldustöid, kui te pole antud olukorras kindel. Vestelge lisateabe

Tootevastutus

Tootevastutusseaduste alusel ei vastuta me tootest tingitud kahjustuste eest, kui:

- toodet on valesti parandatud;
- toote parandamisel on kasutatud osi, mis ei ole tootja poolt valmistatud või heaks kiidetud;
- tootel on kasutatud tarvikut, mis ei ole tootja poolt valmistatud või heaks kiidetud;
- toodet ei ole parandatud volitatud hoolduskeskuses või volitatud isiku poolt.

saamiseks toote asjatundja, edasimüüja, hooldustöökoja või volitatud hoolduskeskuse esindajaga.

- Enne toote kokkupanemist, hoiule asetamist või hooldustööde tegemist lahutage süüteküünla juhe.
- Ärge kasutage toodet, kui selle algseid tehnilisi näitajaid on muudetud. Ärge muutke toote ühtegi osa ilma tootja heakskiiduta. Kasutage ainult tootja heakskiidetud osi. Vale hooldamise tagajärjeks võib olla kehavigastus või surm.
- Ärge hingake sisse mootori heitgaase. Mootori heitgaaside pikaajaline sissehingamine on tervisele ohtlik.
- Ärge käivitage toodet siseruumis ega tuleohtlike materjalide ligidal. Heitgaasid on tulised ja võivad sisaldada sädemeid, mis võivad põhjustada tulekahju. Ebapiisav õhuvahetus võib põhjustada lämbumisest või vingugaasimürgitusest tingitud kehavigastuse või surma.
- Toote mootor tekitab kasutamise ajal elektromagnetvälja. Elektromagnetväli võib kahjustada meditsiinilisi implantaate. Enne toote kasutamist pidage nõu oma arsti ja implantaadi valmistajaga.
- Ärge lubage lastel toodet käsitseda. Ärge lubage kasutusjuhistega mitte tutvunud isikul toodet käsitseda.
- Kui toodet kasutab piiratud füüsiliste või vaimsete võimeteaga isik, peab ta olema kogu aeg järelevalvel all. Vastutusvõimeline täiskasvanu peab kogu aeg kasutaja juures viibima.
- Kasutusel mitte olev toode lukustage kohta, kus lapsed ja volitamata isikud selle juurde ei pääse.
- Toode võib esemeid õhku paisata ja põhjustada kehavigastusi. Vigastus- ja surmaohu vähendamiseks järgige ohutuseeskirju.
- Ärge lahkuge töötava mootoriga toote juurest.
- Õnnetusjuhtumite eest toote kasutamisel vastutab toote operaator.
- Enne toote kasutamist veenduge, et kõik osad oleksid terved.
- Enne toote kasutamise alustamist veenduge, et teised inimesed ja loomad asuksid teist vähemalt 15

m (50 jala) kaugusel. Veenduge, et läheduses viibivad inimesed oleksid toote kasutamise eeskirju teadlikud.

- Tutvuge riiklike või kohalike eeskirjadega. Need võivad toote kasutamist teatud asjaoludel piirata või selle keelata.
- Ärge kasutage seadet, kui olete väsinud või tarvitanud alkoholi, narkootikumide või ravimeid. See võib mõjutada teie nägemist, tähelepanelikkust, koordinatsiooni või hinnangut.

Vibratsiooniohutus

See toode on ette nähtud üksnes aeg-ajalt kasutamiseks. Toote pidev või regulaarne kasutamine võib põhjustada nn valgete sõrmede sündroomi või muid sarnaseid vibratsioonist tingitud meditsiinilisi probleeme. Kui kasutate toodet pidevalt või regulaarselt, kontrollige aeg-ajalt oma käte ja sõrmede seisundit. Kui teie kätel või sõrmedel muutub värv, tunnete valu või surinat või käed või sõrmed muutuvad tuimaks, lõpetage töötamine ja pöörduge kohe arsti poole.

Puhurseadme kasutamise ohutuseeskirjad

- Kasutage seadet üksnes lehtede ja muu prahi maapinnalt eemale puhumiseks või eemaldamiseks.
- Ärge kasutage seadet, kui olete väsinud või haige või tarvitanud alkoholi, uimastavaid aineid või ravimeid.
- Kõrvalseisjad ja loomad peavad asuma seadme operaatorist vähemalt 15 m kaugusel.
- Seade võib suurel kiirusel õhku paisata esemeid, mis võivad rikošetist operaatorit tabada. See võib põhjustada silmakahjustusi.
- Ärge suunake puhurseadme otsakut inimeste või loomade suunas.
- Jälgige, et pikad juuksed ei ulatuks õlgadest allapoole.
- Enne tarvikute ja muude komponentide paigaldamist või eemaldamist seisake alati mootor.
- Ärge kasutage toodet ilma kaitsepiirdeta.
- Ärge kasutage toodet, kui tööpiirkonnas on inimesi. Peatage toode, kui tööpiirkonda siseneb inimene.
- Ärge kasutage toodet ruumis, kus puudub piisav õhuvahetus. Ebapiisav õhuvahetus võib põhjustada lämbumise või vingugaasimürgistusest tingitud kehavigastuse või surma.
- Toote töötamise ja tühikäigul käitamise ajal ning pärast toote seiskamist on summuti väga tuline. Tuleohtlike materjalide ja aurude läheduses olge väga ettevaatlik.
- Ärge puudutage sisetõmbeava katte piirkonda. Hoidke ehted ja lahtised rõivad sisetõmbeava piirkonnast eemal.
- Veenduge alati, et teil oleks kindel jalgealune, ning kasutage toodet ainult turvalisel ja tasasel pinnal. Libedad ja ebastabiilsed pinnad (nt redeliid) võivad

põhjustada tasakaalu või seadme üle kontrolli kaotamise.

- Ärge kasutage toodet suurtel kõrgustel, näiteks katusel.
- Kinnitage seade transportimise ajaks.
- Kasutage toodet ainult soovitatud kellaaegadel. Järgige kohalikke kehtivaid eeskirju. Tavapärase soovitatava ajavahemik on 09.00 kuni 17.00 esmaspäevast laupäevani.
- Kasutage toodet antud tööülesande tegemiseks kõige madalama vajaliku gaasitasemega.
- Kindlustage, et te ei saaks toote kasutamise ajal kukkuda. Ärge kallutage toote kasutamise ajal.
- Enne kaasutamist veenduge, et toode (eriti summuti, õhuvõtuava ja õhufilter) oleks heas seisukorras.
- Enne toote kasutamist kobestage reha või luuaga maapinnal olev praht lahti.
- Kui tööpiirkond on määrdunud, kastke see voolikuga üle.
- Vee säästmiseks võite kasutada toodet vooliku asemel.
- Puhuge prahti ohutult. Jälgige läheduses asuvaid lapsi, loomi, avatud aknaid ja sõidukeid.
- Ärge suunake toodet õrnade taimede poole.
- Ärge puhuge õhku objektide (seinad, suured kivid, sõidukid, aiad) suunas.
- Kui töötate sisenurgas, suunake õhuvool nurgast tööala keskosa poole. Vastasel juhul võib praht teile näkku paiskuda ja põhjustada silmavigastusi.
- Õhujoo maapinna lähedal hoidmiseks kasutage otsaku pikendust.
- Kõrvalseisjad peavad tingimata kandma silmade kaitset.
- Pärast toote kasutamist toimetage praht jäätmekäitluspunkti.

Vaakumseadme kasutamise ohutuseeskirjad

- Vältige ventilaatori kahjustamist. Ärge kasutage vaakumseadet suurte tahkete esemete (puit, purgid, kummipuru või pikad nõõrijupid) imamiseks.
- Ärge laske vaakumtorul puutuda vastu maad.
- Enne ummistuse eemaldamist seisake mootor ja lahutage süüteküünlakate.

Isiklik kaitsevarustus

- Toote kasutamise ajal kandke alati kohast isiklikku kaitsevarustust. Isiklik kaitsevarustus ei kõrvalda täielikult õhuvigastuste ohtu. Isiklik kaitsevarustus vähendab õhnetuse korral kehavigastuse raskusastet.
- Toote kasutamisel kandke alati heakskiidetud kaitseprille.
- Ärge käsitsege toodet paljajalu või lahtiste jalatsitega. Kandke alati vastupidavaid libisemiskindlaid jalanõusid.
- Kandke tugevaid pikki pükse.

- Vajaduse korral kandke heakskiidetud kaitsekindaid.
- Kui valitseb kõrgel asuvate esemete allakukkumise oht, kandke kiivrit.
- Toote kasutamisel kandke alati heakskiidetud kõrvaklappe. Pikaajaline mürakeskkonnas viibimine võib põhjustada müra- ja kuulmiskadu.
- Toote kasutamisel tolmu- ja keskkonnas kandke alati heakskiidetud tolmu maski.
- Veenduge, et läheduses asuks esmaabikomplekt.

Toote kaitseomadused

- Tehke regulaarselt toote ettenähtud hooldustöid.
 - Toote kasutusiga pikeneb.
 - Õnnetuste oht väheneb.

Laske toode edasimüüja juures või volitatud hoolduskeskuses regulaarselt läbi vaadata ja teha vajalikud reguleerimis- või parandustööd.

- Ärge kasutage toodet, kui kaitseomadused on kahjustatud. Kui toode saab kahjustada, pöörduge volitatud hoolduskeskusesse.

Seiskamislüliti

Käivitage mootor. Veenduge, et seiskamislüliti seadmisel seiskamisasendisse mootor seiskuks.

Summuti



HOIATUS: Ärge puudutage kuuma summutit. Mootori töötamise ajal ja pärast selle seiskamist on summuti väga tuline. Summuti puudutamine võib tekitada põletusvigastusi.

- Ärge kasutage mootorit, kui summuti on kahjustatud. Kahjustatud summuti tõstab müra taset ja suurendab tulekahju ohtu. Hoidke tulekustuti käepärast.
- Kontrollige regulaarselt, kas summuti on toote küljes alles.
- Ärge puudutage mootorit ega summutit, kui mootor on tuline. Ärge puudutage mootorit ega summutit mõnda aega pärast mootori seiskamist. Tulised pinnad võivad põhjustada kehavigastusi.
- Tuline summuti võib põhjustada tulekahju. Olge väga ettevaatlik, kui kasutate toodet tuleohtlike vedelike või aurude läheduses.
- Kui summuti on kahjustatud, ärge puudutage summutit osi. Osad võivad sisaldada kantserogeenseid aineid.
- Mõnedel puhuriseadme mudelitel on sädemepüüdur. Puhastage ja vahetage püüdurit määratud intervallide järel. Lugege hoolduspeatükki (*HOOLDUS IK 99*).

Ohutunõuded kütuse käsitsemisel

- Ärge käivitage toodet, kui toote pinnale on sattunud kütust või mootoriõli. Eemaldage kütus/õli toote

pinnalt ja laske tootel kuivada. Eemaldage kütus toote pinnalt.

- Kui kütus satub rõivastele, siis vahetage kohe riideid.
- Välistage kütuse sattumist nahale, see võib põhjustada kehavigastusi. Kui kütus satub nahale, puhastage piirkond seebi ja veega.
- Ärge käivitage mootorit, kui kütus või õli satub toote pinnale või teie nahale.
- Ärge käivitage toodet, kui mootor lekib. Kontrollige regulaarselt mootori lekkekindlust.
- Olge kütuse käsitsemisel ettevaatlik. Kütus on tuleohtlik ja kütuse aurud on plahvatusohtlikud ning võivad põhjustada kehavigastusi või surma.
- Ärge hingake sisse kütuseaure, see võib põhjustada kehavigastusi. Tagage piisav õhuvahetus.
- Ärge suitsetage kütuse ega mootori läheduses.
- Ärge asetage kuumi esemeid kütuse ega mootori läheduses.
- Ärge tankige kütust, kui mootor töötab.
- Enne tankimise alustamist veenduge, et mootor oleks külm.
- Enne tankimise alustamist avage aeglaselt kütusepaagi kork ja laske survel alaneda.
- Ärge tankige mootorit siseruumis. Ebapiisav õhuvahetus võib põhjustada lämbumisest või vingugaasimürgistusest tingitud kehavigastusi või surma.
- Keerake kütusepaagi kork hoolikalt kinni, et vältida tulekahju.
- Enne käivitamist viige toode vähemalt 3 m (10 jala) kaugusele kohast, kus toimus kütusepaagi täitmine.
- Ärge tankige paaki liiga palju kütust.
- Veenduge, et toote või kütusenõu liigutamisel ei tekiks leket.
- Ärge asetage toodet või kütusenõu kohta, kus on lahtine leek, sädemed või süüteleek. Veenduge, et hoiukohas ei oleks lahtist leeki.
- Kütuse kandmiseks või hoidmiseks kasutage üksnes heakskiidetud mahuteid.
- Enne pikaajalisele hoiule jätmist tühjendage kütusepaak. Järgige kütuse kasutusel kõrvaldamist reguleerivaid kohalikke eeskirju.
- Enne pikaajalisele hoiule jätmist puhastage toode.
- Enne toote hoiule jätmist eemaldage süüteküünla juhe, et välistada mootori tahtmatu käivitamise võimalus.

Ohutujuhised hooldamisel



HOIATUS: Ebaõige hooldus võib kaasa tuua mootori tõsise kahjustamise või ohtliku kehavigastuse.

Omanik vastutab kõigi kasutusjuhendis loetletud vajalike hooldustööde läbiviimise eest. Enne hooldustööde alustamist lahutage süüteküünal. Ärge lahutage süüteküünalt enne karbuuraatori reguleerimist.

KOKKUPANEK



HOIATUS: Enne toote kokkupanemise alustamist lugege läbi ohutuspeatükk.

Ülemise puhuritoru paigaldamine

1. Joondage ülemise puhuritoru (A) ava puhuri väljalaskeava (B) sakiga. (Joon. 23)
2. Lükake ülemine puhuritoru täielikult puhuri väljalaskeavasse.
3. Pöörake ülemist puhuritoru, kuni toru olev auk on joondatud puhuri väljalaskeava mutri keermetega. (Joon. 24)
4. Paigaldage kruvi (C). (Joon. 25)
5. Toru kinnitamiseks keerake kruvi kruvikeerajaga päripäeva.

Alumise puhuritoru paigaldamine

1. Joondage alumise puhuritoru (A) avad ülemise toru (B) sakkidega. (Joon. 26)
2. Lükake alumine puhuritoru täielikult ülemise külge.
3. Pöörake alumist puhuritoru täielikult, kuni ava lõpus olev sakk on kinnitunud. (Joon. 27)

VX-i paigaldamine™ puhuritoru

1. Joondage VX-i™ puhuritoru (A) avad ülemise puhuritoru (B) sakkidega. (Joon. 28)
2. Lükake VX-i™ puhuritoru täielikult ülemise puhuritoru külge.
3. Pöörake VX-i™ alumist puhuritoru täielikult, kuni ava lõpus olev sakk on kinnitunud. (Joon. 29)

Ülemise imuritoru paigaldamine

1. Sisestage kruvikeeraja ots sissetõmbeava kinnitusse. (Joon. 30)

2. Kinnituse vabastamiseks kallutage käepidet kruvikeerajaga ettevaatlikult esiosa poole.
3. Hoidke sissetõmbeava katet lahti, kuni imuritoru on oma kohal. (Joon. 31)
4. Joondage sissetõmbeavas olev sakk ülemise imuritoru avadega.

Märkus: Joondage tähised sissetõmbeaval ja ülemisel imuritorul.

5. Suruge ülemine imuritoru täielikult sissetõmbeavasse.
6. Pöörake ülemist imuritoru täielikult päripäeva, kuni kuulete klõpsu. (Joon. 32)

Alumise imuritoru paigaldamine

1. Joondage alumise imuritoru ava ülemisel imuritorul oleva sakiga.
2. Suruge alumine imuritoru täielikult ülemise imuritoru külge, kuni ava lõpus olev sakk on kinnitunud. (Joon. 33)
3. Paigaldage kruvi.
4. Toru kinnitamiseks keerake kruvi kruvikeerajaga päripäeva. (Joon. 34)

Kogumiskoti toru paigaldamine

1. Joondage kogumiskoti toru (A) ava puhuri väljalaskeava (B) sakiga. (Joon. 35)
2. Suruge kogumiskoti toru täielikult puhuri väljalaskeavasse.
3. Pöörake kogumiskoti toru, kuni torus olev auk on joondatud puhuri väljalaskeava mutri keermetega. (Joon. 36)
4. Paigaldage kruvi (C).
5. Toru kinnitamiseks keerake kruvi kruvikeerajaga päripäeva. (Joon. 37)

Kasutamine



HOIATUS: Enne toote kasutamist lugege ohutuspeatükki ja tehke selles olev teave endale arusaadavaks.

Kütus

Kütuse kasutamine



ETTEVAATUST: Tootel on kahetaktiline mootor. Kasutage bensiini ja kahetaktiliste mootorite mootoriõli segu. Jälgige, et õli kogus segus oleks õige. Vale bensiini ja õli suhe võib mootorit kahjustada.

Bensiin



ETTEVAATUST: Ärge kasutage bensiini, mille oktaaniarv on alla 90 RON (87 AKI). See võib toodet kahjustada.



ETTEVAATUST: Ärge kasutage bensiini, mille etanoolisisaldus (E10) on üle 10%. See võib toodet kahjustada.

- Kasutage alati värsket pliivaba bensiini, mille oktaaniarv on vähemalt 90 RON (87 AKI) ja etanoolisisaldus (E10) alla 10%.

- Kui toode töötab sageli püsivalt kõrge mootori kiirusega, kasutage suurema oktaaniarvuga bensiini.

Kahetaktiliste mootorite mootoriõli

- Kasutage üksnes kõrge kvaliteediga kahetaktiliste mootorite mootoriõli. Kasutage üksnes õhkjahutusega mootorite mootoriõli.
- Ärge kasutage teist tüüpi õlisid.
- Segusuhe 50:1 (2%)

Bensiin	Õli
1 USA gallon	77 ml (2,6 untsi)
1 Briti gallon	95 ml (3,2 untsi)
5 l	100 ml (3,4 untsi)

Kütusesegu valmistamine

Märkus: Kütuse segamiseks kasutage alati puhas kütusenõu.

Märkus: Ärge valmistage rohkem kütusesegu, kui kulub umbes 30 päeva jooksul.

1. Valage nõusse pool vajaminevast bensiinikogusest.
2. Valage nõusse kogu vajaminev õlikogus.
3. Loksutage kütusesegu, et koostisosad seguneksid.
4. Valage nõusse teine pool vajaminevast bensiinikogusest.
5. Loksutage kütusesegu, et koostisosad seguneksid.
6. Täitke kütusepaak.

Kütuse tankimine

- Kasutage alati ülevoolukaitsega kütusenõu.
- Kui nõus on kütust, eemaldage ebavajalik kütus ja laske nõul kuivada.
- Veenduge, et kütusepaagi korgi ümbrus oleks puhas.
- Enne kütusesegu lisamist kütusepaaki loksutage kütusenõud.

Käivitamine ja seiskamine

Enne mootori käivitamist

- Veenduge, et tootel poleks puuduvaid, kahjustatud, lahtisi või kulunud osi.
- Vaadake üle kogumiskott. Veenduge, et kogumiskott poleks kahjustatud ja et tõmblukk oleks suletud.
- Kontrollige mutreid, kruvisid ja polte.
- Kontrollige õhufiltrit.
- Kontrollige, kas gaasihoovastiku nupp töötab korralikult.
- Kontrollige, kas seiskamislüliti töötab korralikult.
- Kontrollige, kas tootel ei esine kütuseleket.

Külma mootori käivitamine



HOIATUS: Ärge kerige käivitusnööri ümber käe.



ETTEVAATUST: Ärge hoidke toodet jalgedega paigal.



ETTEVAATUST: Ärge tõmmake käivitusnööri lõppasendisse. Ärge laske väljatõmmatud käivitusnööri käepidest lahti. See võib toodet kahjustada.

Märkus: Kui mootor seiskub, liigutage õhuklapp suletud asendisse ja viige uuesti läbi käivitamistoiming.

1. Täitke kütusepaak puhta kütuseseguga.
2. Hoidke vasaku käega seadme korpus vastu maapinda. Veenduge, et puhuri ots oleks suunatud inimestest, loomadest, klaasist ja tahketest esemetest eemale.
3. Vajutage kütusepumpa aeglaselt 10 korda.
4. Seadke õhuklapi hoob täisgaasiasendisse.
5. Andke gaasi ja hoidke seda asendit
6. Tõmmake käivitusnööri käepidest kiiresti, kuni mootor üritab käivituda, kuid mitte üle 3 tõmbe.

Märkus: Kui temperatuur on alla 4 °C, jätkake käivitusnööri käepideme tõmbamist, kuni mootor üritab käivituda.

7. Viige õhuklapp poolgaasiasendisse.
8. Tõmmake käivitusnööri käepidest järsult kuni mootor käivitub.
9. Laske 10 sekundit töötada.
10. Seadke õhuklapi hoob nullasendisse.

Sooja mootori käivitamine

1. Vajutage kütusepumpa aeglaselt 10 korda.
2. Viige õhuklapp poolgaasiasendisse.
3. Tõmmake käivitusnööri käepidest järsult kuni mootor käivitub.
4. Seadke õhuklapi hoob nullasendisse.

Aurulukustunud mootori käivitamine

Aurulukustumine toimub siis, kui kütusetorustikus või karburaatoris olev kütus kuumuse tõttu aurustub.

Toode võib olla aurulukustunud, kui see ei käivitu keskkonnamatemperatuuril üle 35 °C (95 °F) ja on olnud seisatud 15–45 minutit.

1. Vajutage õhukolbi pumpa uuesti 10–15 sekundit.
2. Viige õhuklapp poolgaasiasendisse.

3. Tõmmake käivitusnööri käepidet järsult kuni mootor käivitub.
4. Laske mootoril kolm minutit tühikäigul soojeneda.
5. Seadke õhuklappi hoob nullasendisse.

Mootori seiskamine

- Vajutage ja vabastage mootori STOP lüliti. Lüliti liigub automaatselt tagasi ON-asendisse. Enne toote taaskäivitamist oodake seitse sekundit, et lüliti jõuaks lähtestuda.

VX-i puhuritoru™ reguleerimine

1. Joondate õige ava (A või B) välisei VX-i™ puhuritorul sisemise toru sakiga (C). (Joon. 38)

Märkus: Kui torud on kokku pandud, siis sakk pole näha. Te peate saki asendit tunnetama, kui välist toru liigutate.

Märkus: Kinnitage sakk asendisse „A“ suure puhuriava jaoks. Suur puhuriava eemaldab kuivad lehed ja muu soovimatu materjali laiadelt aladelt. Kinnitage sakk asendisse „B“ väikse puhuriava jaoks. Väiksem puhuriava muudab pragude ja servade puhastamiseks õhuvoo kiiremaks ja sellega saab eemaldada raskemaid materjale (nt märgi lehti).

2. Saki eemaldamiseks avausest pöörake välist toru vastavalt näidatule. (Joon. 39)
3. Asendi muutmiseks liigutage välist toru piki sisemist toru. (Joon. 40)
4. Pöörake välist toru vastavalt näidatule, kuni sakk on avause õiges asukohas täielikult kinnitunud. (Joon. 41)

Töösens

- Puhur (Joon. 42)
- Imur (Joon. 43)

HOOLDUS



HOIATUS: Enne toote puhastamist, remontimist või hooldamist lugege ohutuspeatükki ja tehke selles olev teave endale arusaadavaks.

Hoolduskeem

Järgige kindlasti hoolduskeemi. Intervallide arvutamisel on aluseks võetud toote igapäevane kasutamine. Kui toodet ei kasutata igapäevaselt, on intervallid erinevad. Tehke ainult neid hooldustöid, mida on selles kasutusjuhendis kirjeldatud. Hooldustööde osas, mida selles kasutusjuhendis kirjeldatud ei ole, pöörduge volitatud hoolduskeskuse poole.

Igapäevane hooldus

Imamine

Enne imamise alustamist paigaldage vajalik ohutusvarustus.



HOIATUS: Enne kasutamist veenduge, et kogumiskott poleks kahjustatud ja et tõmblukk oleks suletud. Ärge kasutage kahjustatud kotti. Nii väldite õhku paiskuvast prahist tingitud kehavigastusi. Vasakukäeline kasutamine tõstab ohutaset. Vältige keha sattumist vastu heitgaasi väljalaskeva piirkonda.



HOIATUS: Ärge käivitage puhurseadet, kui sisselaskeava kate on lahti või kahjustatud (välja arvatud siis, kui on paigaldatud vaakumtoru).

- Puhuri töötamise ajal peab kogumiskotti toetama õlarihm. Rihma tuleb kanda õla ülaosal.
- Käivitage puhurseade. Täitke käivitamist ja seiskamist kirjeldavas peatükis toodud juhiseid *Käivitamine ja seiskamine lk 98*. Lugege läbi ohutuseeskirjad *OHUTUS lk 94*.

Kogumiskoti tühjendamine



HOIATUS: Vaadake kogumiskotti alati üle. Enne kasutamist veenduge, et see poleks kahjustatud ja et tõmblukk oleks suletud. Ärge kasutage kahjustatud kotti. Lendav prahit võib põhjustada kehavigastusi. Vasakukäelisel kasutamisel olge eriti ettevaatlik. Ärge puudutage heitgaasi väljalaskeva piirkonda.

1. Seisake seade.
2. Avage küljel asuv tõmblukk.
3. Tühjendage kogumiskotti.
4. Sulgege lukk.

- Puhastage välispinnad.
- Kontrollige pöörlemiskiiruse regulaatori ja gaasihoovastiku nupu toimimist. Vahetage välja kahjustatud osad.
- Kontrollige seiskamislülitit. Vajaduse korral vahetage see välja.
- Kontrollige tühikäigu kiirust.
- Puhastage õhufilter. Vajaduse korral vahetage see välja.
- Veenduge, et sisselaskeava kate saaks suletud asendisse lukustada. Veenduge, et tiivik oleks puhas.
- Keerake kinni kõik mutrid ja poldid.
- Veenduge, et korpusel poleks pragusid.

- Veenduge, et gumiskott poleks kahjustatud ja et tõmblukk töötaks. Vajadusel vahetage kott välja.

Iganädalane hooldus

- Kontrollige käivitiseadme, käivitusnööri ja pingvedru seisukorda. Vahetage välja kõik kahjustatud osad.
- Kontrollige õhuvõtuava ja käivitiseadme seisukorda. Kui õhuvõtuava on ummistunud, eemaldage praht.
- Puhastage süüteküünla välispind. Võtke küünal maha ja kontrollige elektrodide vahet. Reguleerige vahekauguseks 6 mm või vahetage süüteküünal välja.
- Puhastage tiiviku labad.
- Puhastage sädemepüüdur või vajaduse korral vahetage see (mitte katalüsaatoriga summutite korral).
- Puhastage karburaatori ümbrus.
- Puhastage õhufilter.

Igaüks aastane hooldus

- Kontrollige käivitusnööri käepidet ja käivitusnööri.
- Puhasta kütusepaak.
- Puhastage karburaator ja selle ümbrus.
- Puhastage tiiviku labad.
- Kontrollige, et kütusetorudes ei oleks mõrasid ega muid kahjustusi. Vajaduse korral vahetage need välja
- Vahetage välja kütusepaagis olev kütusefilter.
- Kontrollige kõiki juhtmeid ja ühendusi.
- Vahetage süüteküünal.
- Vahetage õhufilter.

Iga-aastane hooldus

- Kontrollige süüteküünalt.
- Puhastage karburaatori välispind ja selle ümbrus.
- Puhastage jahutussüsteemi.
- Kontrollige sädemepüüdurit.
- Kontrollige kütusefiltrit.
- Veenduge, et kütusevoolikul poleks kahjustusi.
- Kontrollige kõiki juhtmeid ja ühendusi.

50 töötundi järgne hooldus

- Laske summuti volitatud hoolduskeskuses parandada või asendada.

Tühikäigu pöörete arvu reguleerimine

Enne tühikäigu pöörete arvu reguleerimist veenduge, et õhufilter oleks puhas ja õhufiltri kate asuks oma kohal.

Reguleerige tühikäigukiirust tühikäigu reguleerimiskruviga.

(Joon. 44)

Tühikäigu pöörete arv on õige siis, kui mootor töötab igas asendis ühtlaselt.

1. Kiiruse tõstmiseks keerake tühikäigu reguleerimiskruvi päripäeva.
2. Kiiruse langetamiseks keerake tühikäigu reguleerimiskruvi vastupäeva.

Sädemepüüduri hooldamine

Puhastage sädemepüüdur terasharjaga.

Jahutussüsteemi puhastamine

Puhastage jahutussüsteemi osad harjaga.

Süüteküünla kontrollimine



ETTEVAATUST: Kasutage alati soovitatud tüüpi süüteküünalt. Vale tüüpi süüteküünal võib toodet kahjustada.

- Kontrollige süüteküünalt, kui mootori võimsus on madal, mootor ei käivitu kergesti või ei tööta tühikäigul korralikult.
- Süüteküünla elektrodidele võrrainete kogunemise ohu vähendamiseks täitke järgmisi juhiseid.
 - a) Veenduge, et tühikäigu pöörete arv on õigesti seadistatud.
 - b) Veenduge, et kütusesegu oleks õige.
 - c) Veenduge, et õhufilter oleks puhas.
- Kui süüteküünal on määrdunud, puhastage see ja kontrollige, kas elektrodide vahe on õige. Vt jaotist *TEHNILISED ANDMED lk 101*. (Joon. 45)
- Vajadusel vahetage süüteküünal välja.

Õhufiltri hooldamine

Õhufiltri puhastamine

1. Eemaldage õhufiltri kate ja õhufilter.
2. Puhastage õhufilter sooja seebiveega. Enne tagasi paigaldamist veenduge, et õhufilter oleks kuiv.
3. Kui õhufilter on puhastamiseks liiga määrdunud, asendage see. Kahjustatud õhufilter tuleb alati välja vahetada.
4. Kui tootel on vahtplastist õhufilter, kandke sellele õhufiltri õli. Kandke õhufiltri õli ainult vahtplastist filtrile. Ärge kandke õli vildist filtrile.

TEHNILISED ANDMED

	Ühik	GBV 322 (GHB28VPR)	GBV 322VX (GHB28VPR)
Mootori andmed			
Silindri maht	cm ³	26	26
Elektroodi vahe	mm	0,6	0,6
Kütusepaagi maht	cm ³	500	500
Tühikäigukiirus	min ⁻¹	2800–3200	2800–3200
Maksimumvõimsuse kiirus	min ⁻¹	8000	8000
Võimsus	kW	0,8	0,8
Süüteküünel		Champion RCJ-6Y	Champion RCJ-6Y
Maksimaalne kiirus, puhurežiim	min ⁻¹	8600	8600
Maksimaalsel kiirusel imurežiim	min ⁻¹	--	7500
Heite püsimisaeg	H	50	50
Müra- ja vibratsioonandmed			
Samaväärne vibratsioonitase käepidemel, varustatud puhuritõrude ja otsakuga (originaalvarustus) – vt märkust 1	m/s ²	7,5	7,5
Samaväärne vibratsioonitase käepidemel, varustatud vaakumtorudega (originaalvarustus) – vt märkust 1	m/s ²	7,4	7,4
Samaväärne helirõhu tase kasutaja kõrva juures, mõõdetud vastavalt standardile ISO 22868, varustatud puhuritõrude ja otsakuga (originaalvarustus) – vt märkust 3	dB (A)	95,6	95,6
Helitugevuse tase, garanteeritud (L _{WA}) – vt märkust 2	dB (A)	112	112
Helitugevuse tase, mõõdetud – vt märkust 2	dB (A)	109	109
Toote mõõtmised			
Mass	kg	4,4	4,5
<p>1. märkus. Ekvivalentse vibratsioonitaseme kohta toodud andmete tüüpiline statistiline dispersioon (standardhälve) on 1,5 m/s².</p> <p>2. märkus. Müraemissioon ümbritsevasse keskkonda, mõõdetud helivõimsuse tasemena (L_{WA}) vastavalt EÜ direktiivile 2000/14/EÜ. Seadme antud helivõimsuse tase mõõdeti enim müra tekitava originaaltarviku kasutamisel. Erinevus garanteeritud ja mõõdetud helivõimsustaseme vahel seisneb selles, et direktiivi 2000/14/EÜ alusel hõlmab garanteeritud helivõimsustase ka mõõtmistulemuste dispersiooni ja kõrvalekaldeid sama mudeli erinevate seadmete vahel.</p> <p>3. märkus. Antud andmetel seadme helitugevuse taseme ekvivalendi kohta on statistiline tüüpivi 3 dB(A) (standardne kõrvalekalle).</p>			

Ventilaator	Ühik	GBV 322	GBV 322VX
Tüüp		Radiaalventilaator	Radiaalventilaator
Suurim õhukiirus, standardotsak	km/h	322	-
Õhu max kiirus, VX™ puhuritoru*	km/h	-	370
Õhumaht, puhurežiim	cfm	370	450
Õhumaht, imurežiim	cfm	490	490
Multšimiskiirus		10:1	16:1
*valikuline tarvik			

EL-I VASTAVUSDEKLARATSIOONI SISU

Meie, Husqvarna AB, SE 561 82 Huskvarna, ROOTSI, deklareerime ainuvastutusel, et kirjeldatud toode

Allkirjastatud EÜ vastavusdeklaratsioonil toodud sertifikaat kehtib kõikidele tootel viidatud tootmiskohtadele ja päritoluriikidele.

Tarnitud bensiinimootoriga puhurseade/vaakum-puhurseade vastab näidisele, mis läbis ekspertiisi.

Kirjeldus	Bensiinimootoriga puhurseade/vaakum-puhurseade
Kaubamärk	McCulloch
Platvorm/tüüp/mudel	Platvorm GHB28VPR, esindab mudelid GBV 322, GBV 322VX
Partii	Seerianumber alates 2018. aastast

vastab täielikult järgmistele EÜ direktiividele ja eeskirjadele:

Direktiiv/eeskiri	Kirjeldus
2006/42/EÜ	„masinadirektiiv“
2014/30/EL	„elektromagnetilise ühilduvuse direktiiv“
2000/14/EÜ	„välitingimustes kasutatavate seadmete müra direktiiv“

Kohalduvad järgmised ühtlustatud standardid ja/või tehnilised spetsifikatsioonid: EN ISO 12100, EN 15503, CISPR 12, ISO 14982

Vastavalt direktiivi 2000/14/EÜ lisale V on deklareeritud helitaseme väärtused toodud tehniliste andmete jaotises ja allkirjastatud EÜ vastavusdeklaratsioonis.

TÜV Rheinland N.A. on teostanud Husqvarna AB tellimisel vabatahtliku ekspertiisi ja väljastanud vastavussertifikaadi vastavalt EÜ Nõukogu masinadirektiivile 2006/42/EÜ.

Sisältö

JOHDANTO.....	103	KUNNOSSAPITO.....	110
TURVALLISUUS.....	104	TEKNISET TIEDOT.....	111
ASENNUS.....	107	EU:N VAATIMUSTENMUKAISUUSVAKUUTUS.....	112
KÄYTTÖ.....	107		

JOHDANTO

Käyttöohjekirja

Tämän käyttöohjekirjan alkuperäiskieli on englanti.
Muunkieliset käyttöohjekirjat ovat käännöksiä englannista.

Yleiskatsaus

(Kuva 1)

1. Olkahihna
2. Turvaliipaisin
3. Pysäytyskytkin
4. Vakionopeudensäädin
5. Tuulettimen kotelo
6. Polttoainesäiliön korkki
7. Ilmansuodatin
8. Rikastimen ohjain
9. Polttoainepumppu
10. Imuaukon suojus
11. Imurikahva
12. Silppuriterä (GBV 322VX)
13. Puhallinpyörä
14. Alempi puhallusputki (GBV 322)
15. VX-™ puhallusputki (GBV 322VX)
16. Ylempi puhallusputki
17. Pultti
18. Äänenvaimennin
19. Maadoitusjohdin
20. Käynnistysnarun kahva
21. Käynnistyslaite
22. Kahva
23. Yhdistelmätyökalu
24. Keruusäiliön putki
25. Keruusäiliö
26. Imuputki kahdessa osassa
27. Ruuvi
28. Käyttöohjekirja

Laitteen symbolit

(Kuva 2) Varoitus

(Kuva 3) Lue tämä käyttöohjekirja.

(Kuva 4) Käytä hyväksyttyä kypärää.

(Kuva 5) Käytä hyväksyttyjä kuulonsuojaimia.

(Kuva 6) Käytä hyväksyttyjä silmäsuojaimia (ANSI Z87.1 tai vastaava)

(Kuva 7) Käytä hyväksyttyjä turvajalkineita ja -käsineitä.

(Kuva 8) Käytä pitkähihaista takkia tai paitaa ja pitkiä housuja.

(Kuva 9) Älä käytä koruja, kun käytät laitetta.

(Kuva 10) Vapauta salpa ruuvimeisselin kärjellä.

(Kuva 11) Älä imuroi kiviä, soraa, metallia, lasinsirpaleita, kumisilppua tai muita materiaaleja, jotka voivat vaurioittaa puhallinpyörää vakavasti.

(Kuva 12) Laitte voi saada esineitä sinkoutumaan, mikä voi vahingoittaa silmiä.

(Kuva 13) Älä mene lähelle puhallinpyörää, kun se pyörii.

(Kuva 14) Täysi rikastus

(Kuva 15) Keskiাসentto

(Kuva 16) Ei rikastusta

(Kuva 17) Sido pitkät hiukset olkapäiden yläpuolelle.

(Kuva 18) Turvaetäisyys.

(Kuva 19) Taattu äänitehotaso

(Kuva 20) Tämä laite täyttää voimassa olevien EY-direktiivien vaatimukset

(Kuva 21) Laitte täyttää voimassa olevien EAC-direktiivien vaatimukset.

(Kuva 22) Laitte täyttää voimassa olevien Ukrainan direktiivien vaatimukset.

Huomautus: Muita laitteen symboleita/tarroja tarvitaan muilla markkina-alueilla ilmaisemaan sertifiointivaatimuksia.

EU V



VAROITUS: Moottorin muokkaaminen mitätöi tuotteen EU-tyyp hyväksynnän.

Tuotevastuu

Tuotevastuulain mukaisesti emme ole vastuussa tuotteen aiheuttamasta vaurioista, jos

- tuote on korjattu virheellisesti
- tuotteen korjaamiseen on käytetty muita kuin valmistajan omia tai sen hyväksymiä osia
- tuotteessa on muu kuin valmistajan oma tai sen hyväksymä lisävaruste
- tuotetta ei ole korjattu valtuutetussa huoltopisteessä tai hyväksytyllä asiantuntijalla.

TURVALLISUUS

Turvallisuusmääritelmät

Oheiset määritelmät kertovat huomiosanojen vakavuustason.



VAROITUS: Henkilövahinko.



HUOMAUTUS: Laitevaurio.

Huomautus: Nämä tiedot helpottavat laitteen käyttöä.

Yleiset turvaohjeet

- Käytä laitetta oikein. Virheellinen käyttö voi aiheuttaa tapaturman tai kuoleman. Käytä laitetta vain tässä käyttöohjekirjassa esitettyihin tehtäviin. Älä käytä laitetta muihin tehtäviin.
- Noudata tämän käyttöohjekirjan ohjeita. Noudata turvallisuussymboleita ja turvaohjeita. Jos käyttäjä ei noudata ohjeita ja symboleita, seurauksena voi olla vamma, vaurio tai kuolema.
- Älä hävitä tätä käyttöohjekirjaa. Noudata laitteen asennusta, käyttöä ja kunnossapitoa koskevia ohjeita. Asenna lisälaitteet ja lisävarusteet oikein ohjeiden mukaisesti. Käytä vain hyväksytyjä lisälaitteita ja lisävarusteita.
- Älä käytä vaurioitunutta laitetta. Noudata huoltokaaviota. Tee vain sellaisia huoltotoimia, joita koskevat ohjeet löytyvät tästä käyttöohjekirjasta. Valtuutetun huoltopisteen on tehtävä kaikki muut huoltotyöt.
- Tämä käyttöohjekirja ei voi sisältää kaikkia laitteen käyttöön liittyviä tilanteita. Ole varovainen ja käytä tervettä järkeä. Älä käytä laitetta tai huolla sitä, jos et ole varma tilanteesta. Kysy ohjeita laitteen asiantuntijalta, jälleenmyyjältä, huoltoilikkeestä tai valtuutetusta huoltopisteestä.

- Irrota sytytystulpan johto ennen laitteen asentamista, säilytykseen siirtämistä tai huoltoa.
- Älä käytä laitetta, jos sen alkuperäisiä ominaisuuksia on muutettu. Älä muuta edes osaa laitteesta ilman valmistajan lupaa. Käytä ainoastaan valmistajan hyväksymiä osia. Virheellinen huolto voi aiheuttaa tapaturman tai kuoleman.
- Älä hengitä moottorin kaasuja. Moottorin pakokaasujen pitkäaikainen hengittäminen on terveydelle vaarallista.
- Älä käynnistä laitetta sisätiloissa tai lähellä herkästi syttyvää materiaalia. Pakokaasut ovat kuumia ja voivat sisältää kipinöitä, jotka voivat aiheuttaa tulipalon. Jos ilmanvirtaus ei ole riittävä, tukehtuminen tai hiilimonoksidin hengittäminen voi aiheuttaa vammaa tai kuoleman.
- Kun laitetta käytetään, moottori muodostaa sähkömagneettisen kentän. Sähkömagneettinen kenttä voi vaurioittaa lääketieteellisiä implantteja. Neuvottele lääkärin ja lääketieteellisen implantin valmistajan kanssa, ennen kuin käytät laitetta.
- Älä anna lasten käyttää laitetta. Konetta saavat käyttää vain henkilöt, jotka ovat lukeneet ohjeet.
- Muista aina valvoa laitetta käyttävää henkilöä, jonka fyysiset tai psyykkiset taidot ovat heikentyneet. Vastuullisen aikuisen on oltava aina paikalla.
- Lukitse laite paikkaan, johon lapset ja asiattomat henkilöt eivät pääse.
- Laite voi saada esineitä sinkoutumaan ja aiheuttaa näin vammoja. Noudata turvaohjeita tapaturmien tai kuoleman vaaran ehkäisemiseksi.
- Älä poistu laitteen luota, kun moottori on käynnissä.
- Laitteen käyttäjä on vastuussa, jos tapahtuu onnettomuus.
- Varmista ennen laitteen käyttämistä, ettei osissa ole vaurioita.
- Varmista ennen laitteen käyttämistä, että olet vähintään 15 m:n etäisyydellä muista ihmisistä tai eläimistä. Varmista, että lähistöllä olevat henkilöt tietävät sinun aikovan käyttää laitetta.

- Noudata kansallisia ja paikallisia lakeja. Ne voivat estää laitteen käytön tai rajoittaa sitä joissakin olosuhteissa.
- Älä käytä laitetta ollessasi väsynyt tai jos olet alkoholin, huumausainien tai lääkkeiden vaikutuksen alaisena. Ne voivat vaikuttaa näkökykyyn, vireyteen, harkintakykyyn tai kehon hallintaan.

Tärinäturvallisuus

Tämä laite on tarkoitettu vain tilapäiseen käyttöön. Laitteen jatkuva tai säännöllinen käyttö voi aiheuttaa valkosormisuutta tai vastaavia tärinän aiheuttamia terveydellisiä ongelmia. Tutki käsiesi ja sormiesi kunto, jos käytät laitetta jatkuvasti tai säännöllisesti. Käänny välittömästi lääkärin puoleen, jos käsissasi tai sormissasi esiintyy värinmuutoksia, kipua, kihelmöintiä tai ne puuttuvat tai eivät toimi.

Turvaohjeet puhaltimen käyttöä varten

- Käytä puhallinta ainoastaan lehtien ja muiden roskien puhaltamiseen tai poistamiseen maasta.
- Älä käytä laitetta ollessasi väsynyt tai sairas tai jos olet alkoholin, huumausainien tai lääkkeiden vaikutuksen alaisena.
- Älä päästä paikallaolevia henkilöitä tai eläimiä lähemmäksi kuin 15 metriä käyttäjästä.
- Laite voi saada esineitä sinkoutumaan kovalla vauhdilla käyttäjää kohti. Se voi vahingoittaa silmiä.
- Älä suuntaa puhaltimen suutinta ihmisiä tai eläimiä kohden.
- Sido pitkät hiukset olkapäiden yläpuolelle.
- Pysäytä moottori ennen lisävarusteiden tai muiden osien asennusta tai irrottamista.
- Älä käytä laitetta ilman suojusta.
- Älä käytä laitetta, jos työskentelyalueella on ihmisiä. Sammuta laite, jos työskentelyalueelle tulee ihmisen.
- Älä käytä laitetta tilassa, jossa ei ole riittävä ilmanvirtaus. Jos ilmanvirtaus ei ole riittävä, tukehtuminen tai hiilimonoksidin hengittäminen voi aiheuttaa vammaa tai kuoleman.
- Äänenvaimennin on erittäin kuuma, kun laitetta käytetään, kun laite sammutetaan, ja kun laite käy joutokäyntinopeudella. Ole varovainen, jos käytät laitetta syttyvien nesteiden tai kaasujen läheisyydessä.
- Älä koske imuaukon suojuksen alueeseen. Pidä korut ja löysät vaatteet poissa imuaukon suojuksen alueelta.
- Pidä aina kunnollinen jalansija, ja käytä moottorisahaan vain seistessäsi turvallisella ja tasaisella pinnalla. Liukkaat tai epätasaiset pinnat, kuten tikkaat, voivat aiheuttaa tasapainon tai hallinnan menettämisen.
- Älä käytä laitetta korkeissa paikoissa, kuten katolla.
- Varmista laitteen kiinnitys kuljetuksen aikana.

- Käytä laitetta vain suositeltuina kellonaikoina. Noudata paikallisia säädöksiä. Yleisesti suositellut ajat ovat 9.00–17.00 maanantaista lauantaihin.
- Käytä laitetta mahdollisimman pienellä kaasulla.
- Varmista, ettei voi kaatua, kun käytät laitetta. Älä kallistu, kun käytät laitetta.
- Varmista, että laite (ja erityisesti äänenvaimennin, ilmanottoaukko ja ilmansuodatin) on hyvässä kunnossa ennen käyttöä.
- Irrota roskat maasta ensiksi haravan tai harjan avulla ennen laitteen käyttämistä.
- Jos työalue on liikainen, pese se letkulla.
- Voit käyttää laitetta letkun sijaan ja säästää vettä.
- Puhalla roskat turvallisesti pois. Varo lapsia, eläimiä, avoimia ikkunoita ja ajoneuvoja.
- Älä suuntaa laitetta herkästi hajoavia kasveja kohti.
- Älä puhalla ilmaa seiniä, suuria kiviä, ajoneuvoja ja aitoja kohti.
- Jos puhallat sisäreunoja puhtaaksi, puhalla reunasta keskelle työaluetta kohti. Jos et tee niin, roskat voivat sinkoutua kasvoihisi ja aiheuttaa silmävamman.
- Käytä suuttimen koko jatkoputkea, jotta ilmavirta pysyy lähellä maata.
- Paikallaolevien henkilöiden on käytettävä silmäsuojaimia.
- Kun olet valmis, hävitä roskat muiden jätteiden mukana.

Turvaohjeet imurin käyttöä varten

- Estä puhaltimen vaurioituminen. Älä imuroi suuria ja kiinteitä esineitä, kuten puunpalasia, tölkejä, koristekatetta tai pitkiä narun pätkiä.
- Älä anna imuputken koskettaa maata.
- Pysäytä moottori ja irrota syytystulpan suojus, ennen kuin poistat tukoksen.

Henkilökohtainen suojavarustus

- Käytä aina oikeanlaista henkilökohtaista suojavarustusta, kun käytät laitetta. Henkilökohtainen suojavarustus ei poista tapaturmien vaaraa. Henkilökohtainen suojavarustus lieventää vammaa, jos sattuu onnettomuus.
- Käytä aina hyväksytyjä silmäsuojaimia, kun käytät laitetta.
- Älä käytä laitetta paljain jaloin tai avonaisissa jalkineissa. Käytä aina kestäviä luistamattomia jalkineita.
- Käytä vahvakankaisia, pitkiä housuja.
- Käytä suojakäsineitä tarvittaessa.
- Käytä kypärää, jos on mahdollista, että päähän putoa esineitä.
- Käytä aina hyväksytyjä kuulonsuojaimia, kun käytät laitetta. Pitkäkestoinen melulle altistuminen voi aiheuttaa kuulovaurioita.
- Käytä aina hyväksytyä hengityssuojainta, kun käytät laitetta pölyisessä ympäristössä.

- Varmista, että lähistöllä on ensiapupakkaus.

Laitteen turvalaitteet

- Muista huoltaa laite säännöllisesti.
 - Laitteen käyttöikä pitenee.
 - Onnettomuusvaara pienenee.

Anna valtuutetun jälleenmyyjän tai huoltopisteen tarkastaa laite säännöllisesti säätöjen tai korjausten varalta.

- Älä käytä laitetta, jos turvalaitteet ovat vaurioituneet. Jos laitteessa on vaurioita, ota yhteyttä valtuutettuun huoltopisteeseen.

Pysäytyskytkin

Käynnistä moottori. Varmista, että moottori sammuu, kun siirät pysäytyskytkimen pysäytysasentoon.

Äänenvaimennin



VAROITUS: Älä koske kuumaan äänenvaimentimeen. Äänenvaimennin on erittäin kuuma, kun laite on käynnissä tai kun laite sammutetaan. Kuuman äänenvaimentimen koskettaminen voi aiheuttaa palovammoja.

- Älä käytä moottoria, jos äänenvaimennin on vaurioitunut. Vaurioitunut äänenvaimennin nostaa äänitasoa ja lisää tulipalon vaaraa. Pidä palonsammutin lähistöllä.
- Tarkista säännöllisesti, että äänenvaimennin on kiinni laitteessa.
- Älä kosketa moottoria tai äänenvaimenninta, kun moottori on käynnissä. Älä kosketa moottoria tai äänenvaimenninta hetken moottorin sammuttamisen jälkeen. Kuumat pinnat voivat aiheuttaa vammoja.
- Kuuma äänenvaimennin voi aiheuttaa tulipalon. Ole varovainen, jos käytät laitetta palavien nesteiden tai kaasujen läheisyydessä.
- Älä kosketa äänenvaimentimen osia, jos äänenvaimennin on vaurioitunut. Osat voivat sisältää syöpää aiheuttavia kemikaaleja.
- Joissain malleissa on kipinäverkko, joka pitää puhdistaa ja vaihtaa säännöllisin väliajoin. Katso lisätietoja kohdasta Huolto (*KUNNOSSAPITO sivulla 110*).

Polttoaineruullisuus

- Älä käynnistä laitetta, jos sen päällä on polttoainetta tai moottoriöljyä. Poista ylimääräinen polttoaine tai öljy ja anna laitteen kuivua. Poista ylimääräinen polttoaine laitteesta.
- Jos olet läikyttänyt polttoainetta vaatteillesi, vaihda vaatteet heti.
- Varo, ettei iholle pääse polttoainetta, sillä se voi aiheuttaa vamman. Jos ihollesi joutuu polttoainetta, pese se pois vedellä ja saippualla.

- Älä käynnistä moottoria, jos läikytät öljyä tai polttoainetta laitteen päälle tai ylläsi.
- Älä käynnistä laitetta, jos moottori vuotaa. Tarkista moottori säännöllisesti vuotojen varalta.
- Käsittele polttoainetta varoen. Polttoaine on syttyvää ja kaasut ovat räjähdysherkkiä, mikä voi aiheuttaa tapaturman tai kuoleman.
- Älä hengitä polttoainehöyryjä, sillä ne voivat aiheuttaa vamman. Varmista, että ilmanvirtaus on riittävä.
- Älä tupakoi polttoaineen tai moottorin lähistöllä.
- Älä sijoita lämpimiä esineitä polttoaineen tai moottorin lähelle.
- Älä lisää polttoainetta, kun moottori on käynnissä.
- Varmista ennen polttoaineen lisäämistä, että moottori on jäähtynyt.
- Ennen kuin lisää polttoainetta, avaa polttoainesäiliön korkki hitaasti ja vapauta paine varovasti.
- Älä lisää polttoainetta moottoriin sisätilassa. Jos ilmanvirtaus ei ole riittävä, tukehtuminen tai hiilimonoksidin hengittäminen voi aiheuttaa vamman tai kuoleman.
- Kiristä polttoainesäiliön korkki varovasti tulipalon vaaran vuoksi.
- Siirrä laite ennen käynnistämistä vähintään 3 metrin (10 ft) päähän paikasta, jossa täytit säiliön.
- Älä lisää säiliöön liikaa polttoainetta.
- Varmista, ettei polttoainetta pääse vuotamaan, kun liikutat laitetta tai polttoainekannua.
- Älä sijoita laitetta tai polttoainekannua paikkaan, jossa on avotulta, kipinöitä tai sytytysliekkejä. Varmista, ettei säilytyspaikassa ole avotulta.
- Käytä vain hyväksytyjä kannuja polttoaineen siirtämiseen tai säilyttämiseen.
- Tyhjennä polttoainesäiliö ennen pitkäaikaista säilytystä. Noudata paikallista polttoaineen hävittämistä koskevaa lakia.
- Puhdista laite ennen pitkäaikaista säilytystä.
- Irrota sytytystulpan johto ennen laitteen siirtämistä säilytykseen moottorin tahattoman käynnistymisen estämiseksi.

Turvaohjeet huolto varten



VAROITUS: Huolimaton huolto voi johtaa vakaviin moottorivikoihin ja onnettomuuksiin.

Omistajan velvollisuus on suorittaa kaikki tämän käyttöohjeen mukaiset huoltotoimenpiteet. Irrota sytytystulppa ennen huoltotöiden aloittamista. Älä irrota sytytystulppaa ennen kaasuttimen säätämistä.

ASENNUS



VAROITUS: Lue turvallisuutta käsittelevä luku ennen laitteen asentamista.

Ylemmän puhallusputken asentaminen

1. Kohdista ylemmän puhallusputken (A) lovi puhaltimen ulostulossa (B) olevaan kohoumaan. (Kuva 23)
2. Työnnä ylempi puhallusputki kokonaan puhaltimen ulostuloon.
3. Käännä ylempää puhallusputkea kunnes putkessa oleva reikä on kohdistunut puhaltimen ulostulon kierteisiin. (Kuva 24)
4. Asenna ruuvi paikalleen (C). (Kuva 25)
5. Kiinnitä putki kiertämällä ruuvia ruuvimeisselillä myötäpäivään.

Alemman puhallusputken asentaminen

1. Kohdista alemmassa puhallusputkessa (A) olevat lovet ylemmässä puhallusputkessa (B) olevien kohoumien kohdalle. (Kuva 26)
2. Paina alempi puhallusputki kokonaan ylemmän puhallusputken päälle.
3. Käännä alempaa puhallusputkea, kunnes kohouma on loven perällä. (Kuva 27)

VX-puhallusputken™ asentaminen

1. Kohdista VX-puhallusputken (A) lovet™ ylemmän puhallusputken (B) kohoumiin. (Kuva 28)
2. Työnnä VX-puhallusputki™ kokonaan ylemmän puhallusputken päälle.
3. Käännä VX-puhallusputkea,™ kunnes kohouma on loven perällä. (Kuva 29)

Ylemmän imuputken asentaminen

1. Työnnä ruuvimeisselin kärki imuaukon salpa-alueelle. (Kuva 30)

2. Vapauta salpa kääntämällä ruuvimeisselin kahvaa varovasti koneen etuosaa kohti.
3. Pidä imuaukon suojusta auki, kunnes imuputki on kiinnitetty paikalleen. (Kuva 31)
4. Kohdista imuaukon sisäpuolella oleva kieleke ylemmässä imuputkessa olevien aukkojen kohdalle.

Huomautus: Kohdista imuaukon ja ylemmän imuputken ilmaisimet.

5. Työnnä ylempi imuputki kokonaan imuaukkoon.
6. Käännä ylempää imuputkea myötäpäivään, kunnes tunnet napsahduksen. (Kuva 32)

Alemman imuputken asentaminen

1. Kohdista alemmassa imuputkessa oleva lovi ylemmässä putkessa olevan kohouman kohdalle.
2. Paina alempi imuputki kokonaan ylemmän imuputken päälle, kunnes kohouma on loven perällä. (Kuva 33)
3. Asenna ruuvi paikalleen.
4. Kiinnitä putki kiertämällä ruuvia ruuvimeisselillä myötäpäivään. (Kuva 34)

Keruusäiliön putken asentaminen

1. Kohdista keruusäiliön putken (A) lovi puhaltimen ulostulossa (B) olevaan kohoumaan. (Kuva 35)
2. Työnnä keruusäiliön putki kokonaan puhaltimen ulostuloon.
3. Käännä keruusäiliön putkea kunnes putkessa oleva reikä on kohdistunut puhaltimen ulostulon kierteisiin. (Kuva 36)
4. Asenna ruuvi paikalleen (C).
5. Kiinnitä putki kiertämällä ruuvia ruuvimeisselillä myötäpäivään. (Kuva 37)

KÄYTTÖ



VAROITUS: Lue ja sisäistä turvallisuutta käsittelevä luku ennen laitteen käyttämistä.

Polttoaine

Polttoaineen käyttö



HUOMAUTUS: Tässä laitteessa on kaksitahtimoottori. Käytä bensiinin ja kaksitahtimoottoriöljyn seosta. Varmista, että seoksessa on oikea määrä öljyä. Bensiinin

ja öljyn väärä suhde voi aiheuttaa moottorivaurion.

Käynnistys ja sammutus

Ennen moottorin käynnistämistä

- Tarkista laite puuttuvien, vaurioituneiden, löystyneiden tai kuluneiden osien varalta.
- Tarkista keruusäiliö. Varmista, että keruusäiliö ei ole vaurioitunut, ja että vetoketju on kiinni.
- Tarkista mutterit, ruuvit ja pultit.
- Tarkista ilmansuodatin.
- Tarkista turvaliipaisimen asianmukainen toiminta.
- Tarkista pysäytyskytkimen asianmukainen toiminta.
- Tarkista laite polttoainevuotojen varalta.

Kylmän moottorin käynnistys



VAROITUS: Älä kiedo käynnistysnarua kätesi ympärille.



HUOMAUTUS: Älä tue laitetta jalallasi.



HUOMAUTUS: Älä vedä käynnistysnarua loppuun asti. Älä irrota otetta käynnistysnarusta, kun se on ulkona. Se voi vaurioittaa laitetta.

Huomautus: Jos moottori sammuu, siirrä rikastinvipu suljettuun asentoon ja suorita käynnistysvaiheet uudelleen.

1. Käytä aina oikeanlaista polttoaineseosta.
2. Paina laitteen runkoa maata vasten vasemmalla kädellä. Varmista, että puhallinpää on suunnattu pois päin ihmisistä, eläimistä, lasista ja kiinteistä kohteista.
3. Paina polttoaineen ilmauspumppua hitaasti 10 kertaa.
4. Siirrä rikastimen vipu TÄYSI RIKASTUS -asentoon.
5. Paina ja pidä kaasuliipaisin alhaalla
6. Vedä käynnistysnarun kahvasta, kunnes moottori alkaa käynnistyä, mutta älä vedä enemmän kuin 3 kertaa.

Huomautus: Jos lämpötila on alle 4°C, vedä käynnistysnarun kahvasta, kunnes moottori yrittää käynnistyä.

7. Siirrä rikastimen vipu KESKIASENTOON.
8. Vedä käynnistysnarun kahvasta nopeasti, kunnes moottori käynnistyy.
9. Anna moottorin käydä 10 sekuntia.
10. Siirrä rikastimen vipu EI RIKASTUSTA -asentoon.

Bensiini



HUOMAUTUS: Älä käytä bensiiniä, jonka oktaaniluku on pienempi kuin 90 RON (87 AKI). Se voi vaurioittaa laitetta.



HUOMAUTUS: Älä käytä bensiiniä, jonka etanolipitoisuus (E10) on yli 10 prosenttia. Se voi vaurioittaa laitetta.

- Käytä aina uutta lyijytöntä bensiiniä, jonka oktaaniluku on vähintään 90 RON (87 AKI) ja etanolipitoisuus (E10) alle 10 prosenttia.
- Käytä bensiiniä, jonka oktaaniluku on suurempi, jos käytät laitetta usein jatkuvasti suurella moottorin käyntinopeudella.

Kaksitahtimoottoriöljy

- Käytä vain laadukasta kaksitahtimoottoriöljyä. Käytä vainilmajähdytteistä moottoriöljyä.
- Älä käytä muita öljytyyppejä.
- Sekoitussuhde 50:1 (2 %)

Bensiini	Öljy
1 gallona (US)	77 ml (2,6 oz)
1 gallona (UK)	95 ml (3,2 oz)
5 l	100 ml (3,4 oz)

Polttoaineseoksen valmistus

Huomautus: Käytä aina puhdasta polttoainekannua, kun sekoitat polttoainetta.

Huomautus: Tee polttoaineseosta vain 30 päiväksi kerrallaan.

1. Lisää puolet bensiinin määrästä.
2. Lisää koko öljymäärä.
3. Sekoita polttoaineseos ravistamalla.
4. Lisää loput bensiinistä.
5. Sekoita polttoaineseos ravistamalla.
6. Täytä polttoainesäiliö.

Polttoaineen lisäys

- Käytä ylityttösuojalla varustettua polttoainekannua.
- Jos kannussa on polttoainetta, poista se ja anna kannun kuivua.
- Varmista, että polttoainesäiliön korkin alue on puhdas.
- Ravista polttoainekannua, ennen kuin lisäät polttoaineseosta polttoainesäiliöön.

Lämpimän moottorin käynnisty

1. Paina polttoaineen ilmauspumpua hitaasti 10 kertaa.
2. Siirrä rikastimen vipu KESKIASENTOON.
3. Vedä käynnistysnarun kahvasta nopeasti, kunnes moottori käynnistyy.
4. Siirrä rikastimen vipu EI RIKASTUSTA -asentoon.

Moottorin käynnistäminen, jos siinä on höyrylukko

Höyrylukko ilmenee, kun polttoaineletkussa tai kaasuttimessa oleva polttoaine höyrystyy lämmönnousun takia.

Laitteessa voi olla höyrylukko, jos se ei käynnisty uudelleen, kun ympäristön lämpötila on enintään 35 °C (95 °F), ja laite on ollut sammutettuna 15–45 minuutin ajan.

1. Työnnä polttoaineen ilmauspumpua jatkuvasti 10–15 sekunnin ajan.
2. Siirrä rikastimen vipu KESKIASENTOON.
3. Vedä käynnistysnarun kahvasta nopeasti, kunnes moottori käynnistyy.
4. Anna moottorin lämmetä 3 minuutin ajan joutokäynnillä.
5. Siirrä rikastimen vipu EI RIKASTUSTA -asentoon.

Moottorin sammuttaminen

- Paina ja vapauta moottorin STOP-pysäytyskytkin. Kytkin palaa automaattisesti asentoon ON. Odota 7 sekuntia ennen kuin käynnistät laitteen uudelleen, jotta kytkin ehtii palautua.

VX-puhallusputken™ säätäminen

1. Kohdistu ulomman VX-puhallusputken oikea lovi (A tai B)™ sisemmän putken kohoumaan (C). (Kuva 38)

Huomautus: Kohoumaa ei näy, kun putket on kiinnitetty. Kohouman paikka on tunnusteltava yläputkea liikuttaessa.

Huomautus: Käytä kohoumaa kohdassa A, kun tarvitset isomman puhallusaukon. Isompi puhallusaukko siirtää kuivia lehtiä ja muita tarpeetonta materiaalia laajemmalta alueelta. Käytä kohoumaa kohdassa B, kun tarvitset pienemmän puhallusaukon. Ilma kulkee nopeammin pienemmän puhallusaukon läpi ja sopii rakojen ja reunusten

puhdistamiseen ja painavien materiaalien, kuten märkien lehtien, siirtämiseen.

2. Irrota kohouma lovesta kääntämällä ulompaa putkea kuvan osoittamalla tavalla. (Kuva 39)
3. Vaihda asentoa siirtämällä ulompaa putkea sisempää putkea pitkin. (Kuva 40)
4. Käännä ulompaa putkea kuvan osoittamalla tavalla, kunnes kohouma on oikean loven perällä. (Kuva 41)

Käyttöasento

- Puhallin (Kuva 42)
- Imuri (Kuva 43)

Imurin käyttö

Ennen kuin aloitat imurin käytön, pukeudu suojarusteisiin.



VAROITUS: Varmista, että keruusäiliö ei ole vaurioitunut, ja että vetoketju on kiinni. Älä käytä vaurioitunutta säiliötä. Näin estät loukkaantumisia, jotka voivat aiheutua sinkoutuvista roskista. Laitteen käyttö vasemmalla kädellä lisää loukkaantumisvaaraa. Kehosi ei saa osua pakokaasun poistoaukkoon.



VAROITUS: Älä käynnistä puhallinta, jos imuaukon suojuus on auki tai vaurioitunut (paitsi jos imuputki on kiinnitetty).

- Puhallinta käytettäessä keruusäiliötä on kannettava olkahihnassa. Kanna olkahihnaa aina olkapäillä.
- Käynnistä puhallin. Noudata käynnistystä ja sammutusta koskevassa osassa olevia ohjeita *Käynnistys ja sammutus sivulla 108*. Lue turvaohjeet *TURVALLISUUS sivulla 104*.

Keruusäiliön tyhjentäminen



VAROITUS: Muista aina tarkistaa keruusäiliö. Varmista, että keruusäiliö ei ole vaurioitunut, ja että vetoketju on kiinni. Älä käytä vaurioitunutta säiliötä. Sinkoutuvat roskat aiheuttavat loukkaantumisvaaran. Ole erityisen varovainen, jos käytät laitetta vasemmalla kädellä. Älä koske pakokaasun poistoaukkoon.

1. Pysäytä laite.
2. Avaa sivulla oleva vetoketju.
3. Tyhjennä keruusäiliö.
4. Sulje vetoketju.

KUNNOSSAPITO



VAROITUS: Lue ja sisäistä turvallisuutta käsittelevä luku ennen laitteen puhdistamista, korjaamista tai huoltamista.

Huoltokaavio

Muista noudattaa huoltokaaviota. Välit on laskettu laitteen päivittäisen käytön perusteella. Ne ovat erilaiset, jos et käytä laitetta joka päivä. Tee vain tästä käyttöohjekirjasta löytyvät huoltotyöt. Ota yhteyttä valtuutettuun huoltopisteeseen muiden, tästä käyttöohjekirjasta puuttuvien huoltotöiden osalta.

Päivittävät toimenpiteet

- Puhdista ulkopinnat.
- Tarkista nopeussäätimen ja turvaliipaisimen toiminta. Vaihda vaurioituneet osat.
- Tarkista pysäytyskytkin. Vaihda se tarvittaessa.
- Tarkista joutokäyntinopeus.
- Puhdista ilmansuodatin. Vaihda se tarvittaessa.
- Varmista, että imuaukon suojuksen voi lukita suljetussa asennossa. Varmista, että puhallinpyörä on puhdas.
- Kiristä kaikki mutterit ja ruuvit.
- Varmista, että kotelossa ei ole halkeamia.
- Varmista, että keruusäiliö ei ole vaurioitunut, ja että vetoketju on kiinni. Vaihda säiliö tarvittaessa.

Viikoittaiset toimenpiteet

- Tarkista käynnistyslaitteen kunto, käynnistysihna ja säätöjousi. Vaihda vaurioituneet osat.
- Tarkista käynnistyslaitteen ilmanottoaukon kunto. Poista ilmanottoaukon mahdollinen tukos.
- Puhdista sytytystulpan ulkopuoli. Irrota tulppa ja tarkista kärkiväli. Säädä kärkiväliksi 6 mm tai vaihda sytytystulppa.
- Puhdista puhallinpyörän tuulettimen siivet.
- Puhdista ja vaihda kipinäverkko tarvittaessa (ei koske katalysaattorilla varustettuja äänenvaimentimia).
- Tarkista kaasuttimen alue.
- Puhdista ilmansuodatin.

Kuukausittaiset toimenpiteet

- Tarkista käynnistysnarun kahva ja käynnistysnaru.
- Puhdista polttoainesäiliö.
- Puhdista kaasutin ja sen ympäristö.
- Puhdista puhallinpyörän tuulettimen siivet.
- Tarkista polttoainelinjoista mahdolliset murtumat tai muut vauriot. Vaihda tarvittaessa
- Vaihda polttoainesäiliön polttoainesuodatin.
- Tarkista kaikki kaapelit ja liitännät.
- Vaihda sytytystulppa.
- Vaihda ilmansuodatin.

Vuosihuolto

- Tarkista sytytystulppa.
- Puhdista kaasuttimen ulkopinta ja ympäristö.
- Puhdista jäähdytysjärjestelmä.
- Tarkista kipinäverkko.
- Tarkista polttoainesuodatin.
- Tarkista polttoaineletku vaurioiden varalta.
- Tarkista kaikki kaapelit ja liitännät.

50 tunnin huolto

- Anna valtuutetun huoltopisteen korjata tai vaihtaa äänenvaimennin.

Joutokäyntinopeuden säätö

Varmista, että ilmansuodatin on puhdas ja ilmansuodattimen kansi kiinnitetty, ennen kuin säädät joutokäyntinopeutta.

Säädä joutokäynti joutokäynnin säätöruuvilla. (Kuva 44)

Joutokäyntinopeus on oikea, kun moottori käy tasaisesti kaikilla asennoilla.

1. Lisää joutokäyntinopeutta kääntämällä säätöruuvia myötäpäivään.
2. Laske joutokäyntinopeutta kääntämällä säätöruuvia vastapäivään.

Kipinäverkon kunnossapito

Puhdista kipinäverkko teräsharjalla.

Jäähdytysjärjestelmän puhdistus

Puhdista jäähdytysjärjestelmän osat harjalla.

Sytytystulpan tarkistus



HUOMAUTUS: Käytä aina suositeltua sytytystulppaa. Väärä sytytystulpan tyyppi voi aiheuttaa laitteen vaurioitumisen.

- Tarkista sytytystulppa, jos moottorin teho on heikko, moottoria on vaikea saada käyntiin tai se ei toimi oikein joutokäyntinopeudella.
- Ehkäise ylimääräisen materiaalin joutuminen sytytystulpan elektrodeihin noudattamalla seuraavia ohjeita:
 - a) Varmista, että joutokäyntinopeus on säädetty oikein.
 - b) Varmista, että polttoaineseos on oikea.
 - c) Varmista, että ilmansuodatin on puhdas.
- Jos sytytystulppa on karstoittunut, puhdista se ja tarkista samalla, että kärkiväli on oikea. Katso *TEKNISET TIEDOT sivulla 111.* (Kuva 45)
- Vaihda sytytystulppa tarvittaessa.

Ilmansuodattimen kunnossapito

Ilmansuodattimen puhdistaminen

1. Irrota ilmansuodattimen kansi ja ilmansuodatin.
2. Pese ilmansuodatin lämpimällä saippuavedellä. Varmista ennen asentamista, että ilmansuodatin on kuiva.

3. Vaihda ilmansuodatin, jos se on liian likainen, eikä sitä saa täysin puhtaaksi. Vaurioitunut ilmansuodatin on aina vaihdettava.
4. Jos laitteessa on vaahtokumi-ilmansuodatin, levitä ilmansuodatinöljyä. Levitä ilmansuodatinöljyä vain vaahtokumisuodattimeen. Älä levitä öljyä huopasuodattimeen.

TEKNISET TIEDOT

	Yksikkö	GBV 322 (GHB28VPR)	GBV 322VX (GHB28VPR)
Moottorin tiedot			
Sylinteritilavuus	cm ³	26	26
Kärkiväli	mm	0,6	0,6
Polttoainesäiliön tilavuus	cm ³	500	500
Joutokäyntinopeus	min ⁻¹	2 800–3 200	2 800–3 200
Moottorin enimmäiskäyntinopeus	min ⁻¹	8 000	8 000
Maksimiteho	kW	0,8	0,8
Sytytystulppa		Champion RCJ-6Y	Champion RCJ-6Y
Puhallinkäytön enimmäisnopeus	min ⁻¹	8 600	8 600
Imuritiilan enimmäisnopeus	min ⁻¹	--	7 500
Päästöjen kestoajaksi	h	50	50
Ääni- ja värinäätiedot			
Vastaava värinäätaso kahvoissa, varusteena puhallusputki ja suutin (alkuperäiset) – katso huomautus 1	m/s ²	7,5	7,5
Vastaava värinäätaso kahvoissa, varusteena imuputki (alkuperäinen), vasen/oikea – katso huomautus 1	m/s ²	7,4	7,4
Vastaava äänenpainetaso käyttäjän korvan tasalla mitattuna standardin ISO 22868 mukaan, varusteena puhallusputki ja suutin (alkuperäiset) – katso huomautus 3	dB(A)	95.6	95.6
Äänitehotaso, taattu (L _{WA}) – ks. huomautus 2	dB(A)	112	112
Äänitehotaso, mitattu – ks. huomautus 2	dB(A)	109	109
Tuotteen mitat			
Paino	kg	4,4	4,5

	Yksikkö	GBV 322 (GHB28VPR)	GBV 322VX (GHB28VPR)
Huomautus 1: Ilmoitetuilla tiedoilla vastaavasta tärinätasosta tyypillinen tilastollinen hajonta (vakiopoikkeama) on 1,5 m/s ² .			
Huomautus 2: Melupäästöt ympäristöön äänentehona (L _{WA}) EY-direktiivin 2000/14/EY mukaisesti mitattuna. Koneen ilmoitettu äänen tehotaso on mitattu käyttäen alkuperäistä lisälaitetta, joka antaa suurimman äänen tehotason. Taatun ja mitatun äänitehon erona on se, että taattu ääniteho sisältää myös mitatun tuloksen hajonnan ja vaihtelun saman mallin eri koneiden välillä direktiivin 2000/14/EY mukaisesti.			
Huomautus 3: Ilmoitetuilla tiedoilla vastaavasta koneen äänenpainetasosta tyypillinen tilastollinen hajonta (vakio-poikkeama) on 3 dB(A).			

Puhallin	Yksikkö	GBV 322	GBV 322VX
Tyyppi		Radiaalipuhallin	Radiaalipuhallin
Enimmäisilmannopeus, vakiosuutin	km/h	322	-
Enimmäisilmannopeus,™ VX-puhallusputki*	km/h	-	370
Ilmamäärä puhalluskäytössä	cfm	370	450
Imurikäytön ilmamäärä	cfm	490	490
Silppuamissuhde		10:1	16:1
*lisävaruste			

EU:N VAATIMUSTENMUKAISUUSVAKUUTUS

Husqvarna AB, SE 561 82 Huskvarna, RUOTSI, vakuuttaa täten, että oheinen tuote:

Kuvaus	Bensiinikäyttöinen puhallin/puhallin-imuri
Tuotemerkki	McCulloch
Alusta / Tyyppi / Malli	Alusta GHB28VPR, edustaa mallia GBV 322, GBV 322VX
Erä	Sarjanumero 2018 alkaen

vastaa täysin seuraavien EU:n direktiivien ja asetusten vaatimuksia:

Direktiivi/asetus	Kuvaus
2006/42/EY	Konedirektiivi
2014/30/EU	EMC-direktiivi
2000/14/EY	Melupäästädirektiivi

Asiassa sovelletaan seuraavia yhdenmukaistettuja standardeja ja/tai teknisiä määräyksiä: EN ISO 12100, EN 15503, CISPR 12, ISO 14982

Ilmoitetut meluarvot on annettu direktiivin 2000/14/EY liitteen V mukaisesti tämän käyttöohjekirjan teknisissä tiedoissa sekä allekirjoitetussa EY:n vaatimustenmukaisuusvakuutuksessa.

TÜV Rheinland N.A. on suorittanut Husqvarna AB:lle vapaaehtoisin tyyppitarkastuksen ja tuottanut näin Euroopan parlamentin ja neuvoston konedirektiivin 2006/42/EY mukaisen sertifikaatin.

Allekirjoitetussa EY:n vaatimustenmukaisuusvakuutuksessa ilmoitettu sertifikaatti pätee kaikkiin valmistuspaikkoihin ja -maihin tuotteessa ilmoitettujen tietojen mukaisesti.

Oheinen bensiinikäyttöinen puhallin/puhallin-imuri on tarkistetun mallikappaleen mukainen.

Sommaire

INTRODUCTION.....	113	ENTRETIEN.....	120
SÉCURITÉ.....	114	CARACTÉRISTIQUES TECHNIQUES.....	122
MONTAGE.....	117	CONTENU DE LA DÉCLARATION DE	
FONCTIONNEMENT.....	118	CONFORMITÉ DE LA CE.....	123

INTRODUCTION

Manuel de l'opérateur

La langue d'origine du présent manuel d'utilisation est l'anglais. Les manuels d'utilisation disponibles dans d'autres langues sont des traductions de l'anglais.

Aperçu

(Fig. 1)

1. Bretelle de portage
2. Gâchette d'accélération
3. Interrupteur d'arrêt
4. Régulateur de vitesse
5. Logement de ventilateur
6. Bouchon du réservoir d'essence
7. Filtre à air
8. Starter
9. Pompe à carburant
10. Volet d'arrivée d'air
11. Poignée d'aspiration
12. Lame de broyeur (GBV 322VX)
13. Turbine de ventilateur
14. Tube du souffleur inférieur (GBV 322)
15. Tube™ du souffleur VX (GBV 322VX)
16. Tube du souffleur supérieur
17. Boulon
18. Silencieux
19. Fil de mise à la terre
20. Poignée du câble du démarreur
21. Démarreur
22. Poignée
23. Outil multi-usage
24. Tube du sac de ramassage
25. Sac de ramassage
26. Tube d'aspiration en deux parties
27. Vis
28. Manuel de l'opérateur

Symboles concernant le produit

(Fig. 2) Avertissement

(Fig. 3) Veuillez prendre connaissance de ce manuel

(Fig. 4) Utilisez un casque homologué

(Fig. 5) Utilisez des protège-oreilles homologués

(Fig. 6) Utilisez des lunettes de protection approuvées (ANSI Z87.1 ou équivalent)

(Fig. 7) Utilisez des bottes de protection et des gants homologués

(Fig. 8) Portez des manches longues et un pantalon

(Fig. 9) Ne portez pas de bijoux lorsque vous utilisez le produit.

(Fig. 10) Utilisez la pointe du tournevis pour déverrouiller le loquet.

(Fig. 11) N'aspirez pas de pierres, de gravier, de métal, de bris de verre, de pailles de caoutchouc ou d'autres matériaux sous peine d'endommager la roue à ailette.

(Fig. 12) Le produit peut entraîner la projection d'objets, ce qui peut causer des lésions oculaires

(Fig. 13) Ne vous approchez pas trop près de la turbine lorsqu'elle est en rotation

(Fig. 14) Full choke (maximum)

(Fig. 15) Half choke (intermédiaire)

(Fig. 16) No choke (pas d'étranglement)

(Fig. 17) Assurez-vous que les cheveux longs sont attachés au-dessus des épaules.

(Fig. 18) Distance de sécurité

(Fig. 19) Niveau sonore garanti

(Fig. 20) Le produit est conforme aux directives UE en vigueur.

(Fig. 21) Le produit est conforme aux directives EAC en vigueur.

(Fig. 22) Le produit est conforme aux directives ukrainiennes en vigueur.

Remarque: Les autres symboles/autocollants présents sur le produit concernent des exigences de certification spécifiques à d'autres zones commerciales.

UE V



AVERTISSEMENT: toute altération du moteur a pour effet d'annuler l'homologation de type UE de ce produit.

Responsabilité

Conformément à la loi sur la responsabilité du fait des produits, nous déclinons toute responsabilité pour tout dommage causé par notre produit si :

- le produit n'est pas correctement réparé ;
- le produit est réparé avec des pièces qui ne proviennent pas du fabricant ou qui ne sont pas homologuées par le fabricant ;
- le produit est équipé d'un accessoire qui ne provient pas du fabricant ou qui n'est pas homologué par le fabricant.
- le produit n'est pas réparé par un centre d'entretien agréé ou par une autorité homologuée.

SÉCURITÉ

Définitions de sécurité

Les définitions ci-dessous indiquent le niveau de gravité pour chaque mention d'avertissement.



AVERTISSEMENT: Blessures aux personnes.



REMARQUE: Dommages au produit.

Remarque: Cette information facilite l'utilisation du produit.

Instructions générales de sécurité

- Utilisez le produit correctement. Une utilisation inappropriée peut causer des blessures graves, voire mortelles. Utilisez uniquement le produit pour les tâches décrites dans le présent manuel. N'utilisez pas ce produit pour d'autres travaux.
- Respectez les instructions de ce manuel. Respectez les symboles et les instructions de sécurité. Le non-respect des instructions et des symboles par l'opérateur peut causer des blessures graves, voire mortelles, ou des dommages.
- Ne jetez pas ce manuel. Utilisez les instructions pour assembler, utiliser et conserver votre produit en bon état. Utilisez les instructions pour l'installation appropriée des équipements et accessoires. Utilisez uniquement des équipements et accessoires homologués.
- N'utilisez pas de produit endommagé. Respectez le schéma d'entretien. Effectuez uniquement les travaux d'entretien dont les instructions sont comprises dans ce manuel. Tous les autres travaux d'entretien doivent être effectués par un centre d'entretien agréé.
- Ce manuel ne peut pas inclure toutes les situations qui peuvent se produire lorsque vous utilisez le produit. Soyez prudent et utilisez votre bon sens. N'utilisez pas ou n'effectuez pas de travaux d'entretien sur le produit si vous n'êtes pas sûr de la situation. Contactez un spécialiste du produit, votre revendeur, votre agent d'entretien ou centre d'entretien agréé pour plus d'informations.
- Déconnectez la bougie avant d'assembler, de stocker ou d'effectuer l'entretien du produit.
- N'utilisez pas le produit si ses caractéristiques initiales ont été changées. Ne remplacez pas une pièce du produit sans l'approbation du fabricant. Utilisez uniquement des pièces approuvées par le fabricant. Un entretien inapproprié peut causer des blessures graves, voire mortelles.
- Ne respirez pas les fumées provenant du moteur. À long terme, l'inhalation de gaz d'échappement dégagés par le moteur constitue un risque pour la santé.
- Ne démarrez pas le produit dans un local clos ou à proximité de matériaux inflammables. Les gaz d'échappement sont très chauds et peuvent contenir une étincelle pouvant provoquer un incendie. Un débit d'air insuffisant peut causer des blessures graves, voire mortelles dues à une asphyxie ou au monoxyde de carbone.
- Lorsque vous utilisez ce produit, le moteur crée un champ électromagnétique. Le champ électromagnétique peut endommager les implants médicaux. Consultez votre médecin et le fabricant de votre implant avant d'utiliser ce produit.
- Ne laissez pas un enfant utiliser le produit. Ne laissez personne utiliser la machine sans en connaître les instructions d'utilisation.
- Assurez-vous de toujours surveiller une personne aux capacités physiques ou mentales réduites qui utilise le produit. Un adulte responsable doit être présent à tout moment.
- Stockez le produit dans une zone dont l'accès est fermé aux enfants et aux personnes non autorisées.

- Le produit peut projeter des objets et causer des blessures. Respectez les consignes de sécurité afin de réduire le risque de blessures graves ou mortelles.
- Ne vous éloignez pas du produit lorsque le moteur est allumé.
- L'opérateur du produit est tenu responsable en cas d'accident.
- Assurez-vous que les pièces ne soient pas endommagées avant d'utiliser le produit.
- Assurez-vous de maintenir une distance minimum de 15 m (50 ft) entre vous et les autres personnes ou animaux avant d'utiliser le produit. Assurez-vous que les personnes présentes dans une zone adjacente sachent que vous allez utiliser le produit.
- Référez-vous aux lois nationales ou locales. Elles peuvent empêcher ou limiter le fonctionnement du produit dans certaines conditions.
- N'utilisez pas le produit si vous êtes fatigué ou sous l'emprise d'alcool, de drogues ou de médicaments. Ces facteurs sont susceptibles d'affecter votre vue, votre vigilance, votre coordination ou votre jugement.
- N'utilisez pas le produit si des personnes sont présentes dans la zone de travail. Arrêtez le produit si une personne pénètre dans la zone de travail.
- N'utilisez pas le produit dans des espaces confinés. Une ventilation insuffisante peut causer des blessures graves, voire mortelles dues à une asphyxie ou au monoxyde de carbone.
- Le silencieux devient très chaud pendant le fonctionnement du produit et également après l'arrêt de ce dernier ou lorsqu'il tourne au régime de ralenti. Faites de preuve de prudence à proximité de matériaux et émanations inflammables.
- Ne touchez pas le capot de prise d'air. Maintenez les bijoux et les vêtements larges éloignés de la prise d'air.
- Conservez en permanence une position stable, et utilisez le produit uniquement sur des terrains sûrs et plats. Les surfaces glissantes ou instables, telles que les échelles, peuvent entraîner une perte d'équilibre ou de contrôle.
- N'utilisez pas le produit en hauteur, comme sur un toit.
- Sécurisez le produit pendant le transport.
- Respectez les restrictions d'horaires en matière de bruit. Vous devez toujours respecter les réglementations locales. Les recommandations habituelles sont de 9 h 00 à 17 h 00, du lundi au samedi.

Précautions relatives aux vibrations

Ce produit est destiné à une utilisation occasionnelle uniquement. L'utilisation quotidienne ou régulière du produit peut provoquer le syndrome des « doigts blancs » ou entraîner des problèmes médicaux équivalents causés par les vibrations. Examinez l'état de vos mains et de vos doigts si vous utilisez le produit quotidiennement ou régulièrement. Si vos mains ou vos doigts présentent une décoloration, sont douloureux ou engourdis, arrêtez de travailler et contactez immédiatement un médecin.

Consignes de sécurité pour l'utilisation du souffleur

- Utilisez le produit dans le seul but de souffler ou d'aspirer les feuilles et tout autre débris de petite taille se trouvant au sol.
- N'utilisez jamais l'appareil si vous êtes fatigué ou malade, ou si vous avez consommé de l'alcool, de la drogue ou des médicaments.
- Assurez-vous que toute personne ou tout animal à proximité se trouve à un minimum de 15 m (50 pi) de l'utilisateur.
- Le produit peut projeter des objets à grande vitesse qui peuvent ricocher et heurter l'utilisateur, et causer des lésions oculaires.
- Ne dirigez pas la buse du souffleur vers des personnes ou des animaux.
- Assurez-vous que les cheveux longs sont attachés au-dessus des épaules.
- Arrêtez le moteur avant d'installer ou de retirer les accessoires ou d'autres composants.
- N'utilisez pas le produit lorsque la protection n'est pas installée.
- Utilisez le produit au régime le plus faible possible vous permettant de faire vos travaux.
- Assurez-vous que vous ne pouvez pas tomber lorsque vous utilisez le produit. Ne vous inclinez pas lorsque vous utilisez le produit.
- Assurez-vous que le produit est en bon état avant de l'utiliser, en particulier le silencieux, la prise d'air et le filtre à air.
- Utilisez un râteau ou un balai pour décoller les débris au sol avant d'utiliser le produit.
- Si la zone de travail est sale, arrosez-la à l'aide d'un tuyau.
- Utilisez le produit comme une alternative à un nettoyage à l'eau.
- Soufflez les débris en toute sécurité. Surveillez la présence d'enfants, d'animaux, et faites attention aux fenêtres ou aux véhicules ouverts.
- Ne dirigez pas le produit en direction de plantes fragiles.
- Ne soufflez pas en direction d'objets tels que les murs, les grosses pierres, les véhicules et les clôtures.
- Si vous travaillez à l'intérieur d'un angle, assurez-vous de souffler en direction du centre de la zone de travail. Dans le cas contraire, les débris pourraient heurter votre visage et vos yeux et provoquer des lésions oculaires.
- Utilisez l'extension complète de la buse afin de maintenir le flux d'air près du sol.
- Il est nécessaire que les personnes aux alentours portent des protections pour les yeux.

- Après l'utilisation du produit, mettez les déchets au rebut dans les conteneurs appropriés.

Consignes de sécurité pour l'utilisation de l'aspirateur

- Évitez d'endommager le ventilateur. N'aspirez pas d'objets solides de grande taille tels que le bois, les bidons, le paillis de caoutchouc ou les longs fils.
- Ne laissez pas le tube d'aspiration tomber au sol.
- Arrêtez le moteur et retirez le capuchon de la bougie avant d'éliminer les obstructions.

Équipement de protection individuelle

- Utilisez toujours un équipement de protection individuel approprié lorsque vous faites fonctionner le produit. L'équipement de protection individuel n'empêche pas le risque de blessures. L'équipement de protection individuel diminue la gravité des blessures en cas d'accident.
- Utilisez toujours des protections pour les yeux homologués pendant que vous faites fonctionner le produit.
- N'utilisez pas le produit pieds nus ou avec des chaussures ouvertes. Utilisez toujours des bottes antidérapantes robustes.
- Utilisez des pantalons longs et épais.
- Si nécessaire, utilisez des gants de protection homologués.
- Utilisez un casque s'il est possible que des objets tombent sur votre tête.
- Utilisez toujours des protections auditives homologuées lorsque vous faites fonctionner le produit. Une exposition au bruit sur de longues périodes peut provoquer une perte d'audition.
- Utilisez toujours un masque anti-poussière homologué lorsque vous utilisez le produit dans des environnements poussiéreux.
- Assurez-vous de disposer d'une trousse de premiers soins à proximité.

Dispositifs de protection sur le produit

- Assurez-vous de régulièrement entretenir le produit.
 - La durée de vie du produit augmente.
 - Le risque d'accident diminue.

Laissez un revendeur ou un centre d'entretien agréé régulièrement examiner le produit pour effectuer des réglages ou des réparations.

- N'utilisez pas un produit dont les équipements de protection sont endommagés. Si le produit est endommagé, contactez un centre d'entretien agréé.

Bouton d'arrêt

Démarrez le moteur. Assurez-vous que le moteur s'arrête lorsque vous mettez le bouton d'arrêt en position stop.

Silencieux



AVERTISSEMENT: Ne touchez pas le silencieux s'il est chaud. Le silencieux devient très chaud lorsque le moteur tourne et après son arrêt. Toucher le silencieux dans ces conditions peut provoquer des brûlures.

- N'utilisez pas un moteur dont le silencieux est endommagé. Un silencieux endommagé augmente le niveau sonore et le risque d'incendie. Gardez un extincteur à proximité.
- Vérifiez régulièrement que le silencieux est bien fixé sur le produit.
- Ne touchez pas le moteur ni le silencieux quand le moteur est allumé. Ne touchez pas le moteur ni le silencieux peu après l'arrêt du moteur. Les surfaces chaudes peuvent causer des blessures.
- La chaleur du silencieux peut provoquer un incendie. Soyez prudent si vous utilisez le produit à proximité de liquides inflammables ou de fumées.
- Ne touchez pas les pièces à l'intérieur du silencieux si celui-ci est endommagé. Les pièces peuvent contenir certains produits chimiques cancérigènes.
- Certains modèles de souffleur possèdent un écran pare-étincelles. Nettoyez et remplacez l'écran aux intervalles spécifiés. Consultez la section consacrée à l'entretien (*ENTRETIEN à la page 120*).

Sécurité carburant

- Ne démarrez pas le produit si du carburant ou de l'huile moteur a été renversé(e) sur le produit. Essuyez le carburant/l'huile et attendez que le produit sèche. Essuyez le carburant déversé sur le produit.
- Si vous avez renversé du carburant sur vos vêtements, changez de vêtements immédiatement.
- Évitez tout contact de la peau avec le carburant. Le carburant peut causer des blessures. Si votre peau entre en contact avec le carburant, lavez les parties qui ont été en contact avec de l'eau et du savon.
- Ne démarrez pas le moteur si vous avez renversé de l'huile ou du carburant sur le produit ou sur vous.
- Ne démarrez pas le produit s'il y a une fuite de moteur. Vérifiez régulièrement s'il y a des fuites de moteur.
- Faites attention avec le carburant. Le carburant est inflammable et ses vapeurs sont explosives. Il peut causer des blessures graves, voire mortelles.
- Ne respirez pas les vapeurs de carburant, elles peuvent causer des blessures. Assurez-vous que la ventilation est suffisante.
- Ne fumez pas à proximité du carburant ou du moteur.
- Ne mettez pas d'objets chauds à proximité du carburant ou du moteur.
- N'ajoutez pas de carburant lorsque le moteur est allumé.

- Assurez-vous que le moteur est froid avant de faire le plein de carburant.
- Avant de faire le plein, ouvrez le bouchon du réservoir de carburant lentement et relâchez la pression avec précaution.
- N'ajoutez pas de carburant au moteur dans un espace intérieur. Un débit d'air insuffisant peut causer des blessures graves, voire mortelles dues à une asphyxie ou au monoxyde de carbone.
- Serrez le bouton du réservoir de carburant avec précaution afin d'éviter tout risque d'incendie.
- Déplacez le produit à un minimum de 3 m (10 ft) de l'endroit où a été fait le plein de carburant avant de démarrer le produit.
- Ne remplissez pas trop le réservoir de carburant.
- Assurez-vous qu'aucune fuite ne peut se produire lorsque vous déplacez le produit ou le bidon de carburant.
- Ne placez pas le produit ni le bidon de carburant dans un espace où il y a une flamme nue, des étincelles ou une veilleuse d'allumage. Assurez-vous qu'il n'y a pas de flamme nue dans le lieu de stockage.
- Utilisez uniquement des récipients homologués pour le transport et le stockage de carburant.
- Avant de remiser le produit pour une période prolongée, videz le réservoir de carburant. Respectez la législation locale sur les lieux d'élimination du carburant.
- Nettoyez le produit avant de le remiser pour une période prolongée.
- Retirez la bougie avant de remiser le produit afin de s'assurer que le moteur ne démarre pas par inadvertance.

Consignes de sécurité pour l'entretien



AVERTISSEMENT: Un mauvais entretien peut endommager le moteur ou provoquer des blessures graves.

Il incombe au propriétaire de l'appareil d'assurer son entretien conformément aux indications figurant dans le manuel d'utilisation. Débranchez la bougie avant d'entreprendre une quelconque opération d'entretien. Ne retirez pas la bougie avant de procéder aux réglages du carburateur.

MONTAGE



AVERTISSEMENT: Lisez le chapitre dédié à la sécurité avant de monter le produit.

Pour installer le tube de soufflage supérieur

1. Alignez la nervure du tube de soufflage supérieur (A) sur la languette de la sortie du souffleur (B). (Fig. 23)
2. Appuyez complètement sur le tube de soufflage supérieur pour l'insérer sur la sortie du souffleur.
3. Tournez le tube de soufflage supérieur jusqu'à ce que le trou du tube soit aligné sur les filetages de l'écrou au niveau de la sortie du souffleur. (Fig. 24)
4. Installez la vis (C). (Fig. 25)
5. Tournez la vis dans le sens des aiguilles d'une montre à l'aide d'un tournevis pour fixer le tube.

Pour installer le tube de soufflage inférieur

1. Alignez les fentes du tube de soufflage inférieur (A) sur les languettes du tube de soufflage supérieur (B). (Fig. 26)
2. Poussez complètement le tube de soufflage inférieur sur le tube de soufflage supérieur.

3. Tournez complètement le tube de soufflage inférieur jusqu'à ce que la languette soit engagée à l'extrémité de la fente. (Fig. 27)

Pour installer le tube™ de soufflage VX

1. Alignez les fentes du tube de soufflage™ VX (A) sur les languettes du tube de soufflage supérieur (B). (Fig. 28)
2. Poussez complètement™ le tube de soufflage VX sur le tube de soufflage supérieur.
3. Tournez complètement™ le tube de soufflage VX jusqu'à ce que la languette soit engagée à l'extrémité de la fente. (Fig. 29)

Pour installer le tube d'aspiration supérieur

1. Insérez la pointe d'un tournevis dans le fermoir de l'arrivée d'air de l'aspirateur. (Fig. 30)
2. Inclinez légèrement le manche du tournevis vers l'avant du produit pour déverrouiller le loquet.
3. Laissez le capot d'entrée d'air de l'aspirateur ouvert jusqu'à ce que le tube d'aspiration supérieur soit en place. (Fig. 31)
4. Alignez la nervure à l'intérieur de l'entrée d'air de l'aspirateur sur les fentes du tube d'aspiration supérieur.

Remarque: Alignez les indicateurs au niveau de l'ouverture de l'entrée d'air et sur le tube d'aspiration supérieur.

5. Poussez complètement le tube d'aspiration supérieur dans l'entrée d'air de l'aspirateur.
6. Tournez complètement le tube d'aspiration supérieur dans le sens des aiguilles d'une montre jusqu'à entendre un déclic. (Fig. 32)

Pour installer le tube d'aspiration inférieur

1. Alignez la fente du tube d'aspiration inférieur sur la languette du tube d'aspiration supérieur.
2. Poussez complètement le tube d'aspiration inférieur sur le tube d'aspiration supérieur jusqu'à ce que la languette soit engagée à l'extrémité de la fente. (Fig. 33)
3. Installez la vis.

4. Tournez la vis dans le sens des aiguilles d'une montre à l'aide d'un tournevis pour fixer le tube. (Fig. 34)

Pour installer le tube du sac de ramassage

1. Alignez la fente du tube du sac de ramassage (A) avec la languette de la sortie d'air du souffleur (B). (Fig. 35)
2. Poussez complètement le tube du sac de ramassage sur la sortie du souffleur.
3. Tournez le tube du sac de ramassage jusqu'à ce que le trou du tube soit aligné sur les filetages de l'écrou au niveau de la sortie du souffleur. (Fig. 36)
4. Installez la vis (C).
5. Tournez la vis dans le sens des aiguilles d'une montre à l'aide d'un tournevis pour fixer le tube. (Fig. 37)

FONCTIONNEMENT



AVERTISSEMENT: Assurez-vous de lire et de comprendre le chapitre dédié à la sécurité avant d'utiliser le produit.

Carburant

Pour utiliser le carburant



REMARQUE: Ce produit est équipé d'un moteur à deux temps. Utilisez un mélange d'essence et d'huile moteur à deux temps. Assurez-vous d'utiliser la quantité correcte d'huile dans le mélange. Un rapport incorrect d'essence et d'huile peut endommager le moteur.

Essence



REMARQUE: N'utilisez pas d'essence avec un indice d'octane inférieur à 90 RON (87 AKI). Cela peut endommager le produit.



REMARQUE: N'utilisez pas d'essence avec une concentration d'éthanol (E10) supérieure à 10 %. Cela peut endommager le produit.

- Utilisez toujours de l'essence sans plomb neuve avec un indice d'octane minimal de 90 RON (87 AKI) et une concentration d'éthanol (E10) inférieure à 10 %.
- Utilisez de l'essence avec un numéro d'octane supérieur si vous utilisez fréquemment le produit à une vitesse du moteur élevée en continu.

Huile moteur à deux temps

- Utilisez uniquement une huile moteur à deux temps de haute qualité. Utilisez uniquement une huile moteur refroidie par air.
- N'utilisez pas d'autres types d'huile.
- Ratio de mélange 50:1 (2 %)

Essence	Huile
1 U.S. Gal.	77 ml (2,6 oz)
1 UK gal.	95 ml (3,2 oz)
5 l	100 ml (3,4 oz)

Pour effectuer le mélange de carburant

Remarque: Utilisez toujours un bidon de carburant propre lorsque vous mélangez le carburant.

Remarque: Ne préparez pas une quantité de mélange de carburant pour plus de 30 jours.

1. Ajoutez la moitié de la quantité d'essence.
2. Ajoutez la quantité totale d'huile.
3. Agitez le mélange de carburant pour mélanger le contenu.
4. Ajoutez la quantité d'essence restante.
5. Agitez le mélange de carburant pour mélanger le contenu.
6. Remplissez le réservoir de carburant.

Pour ajouter du carburant

- Utilisez toujours un bidon d'essence comportant un dispositif d'arrêt de remplissage automatique.
- Si un peu de carburant se déverse sur le bidon, essuyez le carburant et laissez sécher le bidon.
- Assurez-vous que la zone proche du bouchon du réservoir de carburant est propre.
- Agitez le bidon de carburant avant de verser le mélange de carburant dans le réservoir.

Pour démarrer et arrêter

Avant de faire démarrer le moteur

- Vérifiez que le produit n'a pas de pièce manquante, endommagée, desserrée ou usée.
- Inspectez le sac de ramassage. Assurez-vous que le sac de ramassage est en bon état et que la fermeture à glissière est fermée.
- Vérifiez les écrous, les vis et les boulons.
- Vérifiez le filtre à air.
- Assurez-vous du bon fonctionnement de la gâchette d'accélération.
- Vérifiez que le bouton d'arrêt fonctionne correctement.
- Vérifiez qu'il n'y a pas de fuites de carburant au niveau du produit.

Pour démarrer un moteur froid



AVERTISSEMENT: N'enroulez pas le câble du démarreur autour de votre bras.



REMARQUE: Ne posez pas le produit sur votre pied.



REMARQUE: Ne tirez pas sur le câble du démarreur jusqu'à sa butée. Ne lâchez pas la poignée du câble du démarreur lorsqu'il est déployé. Cela peut endommager le produit.

Remarque: Si le moteur s'arrête, fermez la commande de starter et répétez les étapes pour le démarrage.

1. Remplissez le réservoir à carburant avec un mélange de carburant propre.
2. À l'aide de votre main gauche, maintenez la machine au sol. Assurez-vous que l'extrémité du souffleur n'est pas dirigée vers des personnes, des animaux ou des objets solides.
3. Appuyez 10 fois lentement sur la poire de la pompe à carburant.
4. Amenez le levier du starter en position FULL CHOKE (maximum).

5. Actionnez et maintenez enfoncée la gâchette de l'accélérateur
6. Tirez sur la poignée du câble du démarreur d'un coup sec, mais pas plus de 3 fois, jusqu'à ce que le moteur démarre.

Remarque: Si la température est inférieure à 4 °C (40 °F), continuez à tirer la poignée du câble du démarreur jusqu'à ce que le moteur démarre.

7. Amenez le levier du starter en position HALF CHOKE (intermédiaire).
8. Tirez d'un coup sec sur la poignée du câble du démarreur jusqu'à ce que le moteur démarre.
9. Laissez fonctionner le moteur pendant 10 secondes.
10. Amenez le levier du starter en position NO CHOKE (pas d'étranglement).

Pour démarrer un moteur chaud

1. Appuyez 10 fois lentement sur la poire de la pompe à carburant.
2. Amenez le levier du starter en position HALF CHOKE (intermédiaire).
3. Tirez d'un coup sec sur la poignée du câble du démarreur jusqu'à ce que le moteur démarre.
4. Amenez le levier du starter en position NO CHOKE (pas d'étranglement).

Démarrer un moteur présentant un bouchon de vapeur

Un bouchon de vapeur se produit lorsque le carburant dans la conduite de carburant ou le carburateur s'évapore en raison d'une chaleur accrue.

Le produit peut présenter un bouchon de vapeur s'il ne redémarre pas à une température ambiante supérieure à 35 °C (95 °F) et s'il a été coupé pendant 15 à 45 minutes.

1. Appuyez maintes fois sur la poire de la pompe à carburant pendant 10 à 15 secondes.
2. Amenez le levier du starter en position HALF CHOKE (intermédiaire).
3. Tirez d'un coup sec sur la poignée du câble du démarreur jusqu'à ce que le moteur démarre.
4. Laissez chauffer le moteur pendant 3 minutes au ralenti.
5. Amenez le levier du starter en position NO CHOKE (pas d'étranglement).

Pour arrêter le moteur

- Enfoncez et relâchez le bouton ARRÊT du moteur. Le bouton revient automatiquement en position MARCHE. Attendez 7 secondes avant d'essayer de redémarrer le produit pour vous assurer que le bouton revienne en position initiale.

Pour ajuster le tube™ de soufflage VX

1. Alignez la fente appropriée (A ou B) sur le tube extérieur™ de soufflage VX avec la languette (C) sur le tube intérieur. (Fig. 38)

Remarque: Vous ne pouvez voir la languette lorsque les tubes sont montés. Vous devez sentir la position de la languette lorsque vous déplacez le tube extérieur.

Remarque: Engagez la languette dans la position « A » pour une grande ouverture du souffleur. Une grande ouverture du souffleur permet de déplacer de grandes zones de feuilles sèches et d'autres matériaux indésirables. Engagez la languette dans la position « B » pour une petite ouverture du souffleur. Une petite ouverture du souffleur permet un débit d'air plus rapide pour nettoyer les fissures et les bordures, et pour déplacer des matériaux lourds, tels que des feuilles humides.

2. Tournez le tube extérieur tel qu'indiqué pour désengager la languette de la fente. (Fig. 39)
3. Déplacez le tube extérieur le long du tube intérieur pour modifier la position. (Fig. 40)
4. Tournez le tube extérieur tel qu'indiqué jusqu'à ce que la languette soit complètement engagée à l'extrémité de l'emplacement correct de la fente. (Fig. 41)

Position de fonctionnement

- Souffleur (Fig. 42)
- Aspirateur (Fig. 43)

Utilisation de l'aspirateur

Avant d'utiliser l'aspirateur, équipez-vous de l'équipement de sécurité approprié.



AVERTISSEMENT: Assurez-vous que le sac de ramassage est en bon état et que la

fermeture à glissière est fermée avant de commencer vos travaux. N'utilisez pas le sac s'il est endommagé, vous éviterez ainsi tout risque de blessures causées par les débris projetés. Une utilisation avec la main gauche augmente le risque. Évitez d'entrer en contact avec la sortie d'échappement.



AVERTISSEMENT: Ne démarrez pas le souffleur-aspirateur si le capot de prise d'air est ouvert ou endommagé (sauf si le tube d'aspiration est monté).

- Lors du fonctionnement du souffleur, le sac de ramassage doit être soutenu par la bretelle de portage. La bretelle doit être portée sur le sommet de l'épaule.
- Démarrez le souffleur. Respectez les instructions de la section sur le démarrage et l'arrêt *Pour démarrer et arrêter à la page 119*. Lisez les consignes de sécurité *SÉCURITÉ à la page 114*.

Vidage du sac de ramassage



AVERTISSEMENT: Inspectez toujours le sac de ramassage. Assurez-vous qu'il est en bon état et que la fermeture à glissière est fermée avant de commencer vos travaux. N'utilisez pas le sac s'il est endommagé. Le cas échéant, vous vous exposez à des risques de blessure en raison des projections de débris. Faites preuve de prudence si vous utilisez le produit de la main gauche. Ne touchez pas la sortie d'échappement.

1. Arrêtez le produit.
2. Ouvrez la fermeture à glissière sur le côté.
3. Videz le sac de ramassage.
4. Fermez la fermeture éclair.

ENTRETIEN



AVERTISSEMENT: Assurez-vous de lire et de comprendre le chapitre sur la sécurité avant de nettoyer, de réparer ou de procéder à l'entretien du produit.

Schéma d'entretien

Assurez-vous de respecter le schéma d'entretien. Les intervalles sont calculés selon une utilisation quotidienne du produit. Les intervalles sont différents si vous n'utilisez pas le produit tous les jours. Effectuez uniquement les travaux d'entretien décrits dans ce

manuel. Contactez un centre d'entretien agréé pour effectuer d'autres travaux d'entretien ne figurant pas dans ce manuel.

Entretien quotidien

- Nettoyez les surfaces externes.
- Vérifiez le fonctionnement de la commande de vitesse et de la gâchette d'accélération. Remplacez les pièces endommagées.
- Examinez l'interrupteur d'arrêt. S'il est défectueux, remplacez-le.
- Vérifiez le régime de ralenti.

- Nettoyez le filtre à air. S'il est défectueux, remplacez-le.
- Assurez-vous que le capot de prise d'air peut être verrouillé en position fermée. Assurez-vous que la turbine est propre.
- Serrez tous les écrous et toutes les vis.
- Assurez-vous que les carters sont exempts de fissures.
- Assurez-vous que le sac de ramassage est en bon état et que la fermeture à glissière fonctionne. Remplacez le sac si nécessaire.

Entretien hebdomadaire

- Examinez l'état du démarreur, du câble du démarreur et du ressort de tension. Remplacez les pièces endommagées.
- Examinez l'état de la prise d'air au niveau du démarreur. Retirez les débris obstruant la prise d'air, le cas échéant.
- Nettoyez le côté externe de la bougie. Déposez la bougie et vérifiez la distance entre les électrodes. Ajustez la distance de sorte qu'elle soit de 6 mm (0,024 po) ou remplacez la bougie.
- Nettoyez les lames de la turbine.
- Nettoyez l'écran pare-étincelles et remplacez-le si nécessaire (les silencieux avec convertisseur catalytique ne sont pas concernés).
- Nettoyez la zone du carburateur.
- Nettoyez le filtre à air.

Entretien mensuel

- Vérifiez la poignée du câble du démarreur et le câble du démarreur.
- Nettoyer le réservoir de carburant.
- Nettoyez le carburateur, ainsi que l'espace autour.
- Nettoyez les lames de la turbine.
- Vérifiez que les canalisations de carburant ne sont pas fissurées ou endommagées. Remplacez si nécessaire
- Remplacez le filtre à carburant dans le réservoir.
- Vérifiez tous les câbles et toutes les connexions.
- Remplacement de la bougie
- Remplacez le filtre à air.

Maintenance annuelle

- Vérifiez la bougie.
- Nettoyez la surface externe du carburateur et les zones adjacentes.
- Nettoyer le système de refroidissement.
- Vérifiez l'écran pare-étincelles.
- Vérifiez le filtre à carburant.
- Vérifiez le tuyau de carburant afin de détecter d'éventuels dommages.
- Vérifiez tous les câbles et toutes les connexions.

Entretien après 50 heures

- Adressez-vous à un centre d'entretien agréé pour la réparation ou le remplacement du silencieux.

Pour régler le régime de ralenti

Assurez-vous que le filtre à air est propre et que le couvercle de filtre à air est fixé avant de régler le régime de ralenti.

Réglez le régime de ralenti à l'aide de la vis de réglage du ralenti.
(Fig. 44)

Le régime de ralenti est correct lorsque le moteur fonctionne sans à-coups dans toutes les positions.

1. Tournez la vis de réglage de ralenti dans le sens des aiguilles d'une montre pour augmenter la vitesse.
2. Tournez la vis de réglage de ralenti dans le sens contraire des aiguilles d'une montre pour réduire la vitesse.

Pour effectuer l'entretien de l'écran pare-étincelles

Utilisez une brosse métallique pour nettoyer l'écran pare-étincelles.

Pour nettoyer le circuit de refroidissement

Nettoyez les pièces du circuit de refroidissement avec une brosse.

Pour vérifier la bougie



REMARQUE: Utilisez toujours le type de bougie recommandé. Un type de bougie inadéquat peut endommager le produit.

- Inspectez la bougie si le moteur manque de puissance, n'est pas facile à démarrer ou ne fonctionne pas correctement lorsqu'il tourne au régime de ralenti.
- Afin de réduire le risque de matériaux indésirables présents sur les électrodes de la bougie, procédez comme suit :
 - a) Assurez-vous que le régime de ralenti est correctement réglé.
 - b) Assurez-vous que le mélange de carburant est correct.
 - c) Assurez-vous que le filtre à air est propre.
- Si la bougie est encrassée, nettoyez-la et vérifiez que l'écartement des électrodes est correct. Consultez la section *CARACTERISTIQUES TECHNIQUES* à la page 122. (Fig. 45)
- Remplacez la bougie si nécessaire.

Pour entretenir le filtre à air

Pour nettoyer le filtre à air

1. Retirez le couvercle du filtre à air et le filtre à air.

2. Nettoyez le filtre à air avec de l'eau chaude savonneuse. Assurez-vous que le filtre à air est sec avant de l'installer.
3. Remplacez le filtre à air s'il est trop sale pour le nettoyer complètement. Remplacez toujours un filtre à air endommagé.
4. Si votre produit est équipé d'un filtre à air en mousse, appliquez de l'huile pour filtre à air. Appliquez de l'huile pour filtre à air uniquement sur un filtre en mousse. N'appliquez pas d'huile sur un filtre en feutre.

CARACTÉRISTIQUES TECHNIQUES

	unité	GBV 322 (GHB28VPR)	GBV 322VX (GHB28VPR)
Caractéristiques du moteur			
Cylindrée	cm ³	26	26
Écartement des électrodes	mm	0,6	0,6
Capacité du réservoir de carburant	cm ³	500	500
Vitesse du ralenti	min ⁻¹	2 800 - 3 200	2 800 - 3 200
Régime de puissance maximum	min ⁻¹	8 000	8 000
Puissance de sortie	kW	0,8	0,8
Bougie		Champion RCJ-6Y	Champion RCJ-6Y
Vitesse maximale en mode soufflage	min ⁻¹	8600	8600
Vitesse maximale en mode aspiration	min ⁻¹	--	7500
Période de durabilité des émissions	h	50	50
Données sur le son et les vibrations			
Niveau de vibration équivalent au niveau des poignées, avec tubes du souffleur et buse (d'origine) - voir la remarque 1	m/s ²	7,5	7,5
Niveau de vibration équivalent au niveau des poignées, avec tubes d'aspiration (d'origine), gauche/droit - voir la remarque 1	m/s ²	7,4	7,4
Niveau de pression acoustique équivalente au niveau des oreilles de l'utilisateur, mesurée selon la norme ISO 22868, avec tubes du souffleur et buse (d'origine) - voir la remarque 3	dB(A)	95,6	95,6
Niveau de puissance sonore garanti (L _{WA}) - voir remarque 2	dB(A)	112	112
Niveau de puissance sonore mesuré - voir remarque 2	dB(A)	109	109
Dimensions du produit			
Poids	kg	4.4	4.5

	unité	GBV 322 (GHB28VPR)	GBV 322VX (GHB28VPR)
Remarque 1 : Les données reportées pour le niveau de vibrations équivalent montrent une dispersion statistique type (déviat ion standard) de 1,5 m/s ² .			
Remarque 2 : Les émissions sonores de l'environnement sont mesurées en puissance sonore (L _{WA}) conformément à la directive CE 2000/14/CE de l'Union européenne. Le niveau de puissance sonore reporté pour la machine a été mesuré avec l'équipement d'origine qui donne le niveau le plus élevé. Le niveau de puissance sonore garanti diffère du niveau mesuré en cela qu'il prend également en compte la dispersion et les variations d'une machine à l'autre du même modèle, conformément à la directive 2000/14/CE.			
Remarque 3 : Les données reportées pour le niveau de pression sonore équivalent pour la machine montrent une dispersion statistique typique (déviat ion standard) de 3 dB (A).			

Ventilateur	unité	GBV 322	GBV 322VX
Type		Ventilateur radial	Ventilateur radial
Vitesse d'air max., buse standard	km/h	322	-
Vitesse de l'air max., tube™ du souffleur VX*	km/h	-	370
Volume d'air en mode soufflage	cfm	370	450
Volume d'air en mode aspiration	pi ³ /min	490	490
Taux de broyage		10:1	16:1
*accessoire en option			

CONTENU DE LA DÉCLARATION DE CONFORMITÉ DE LA CE

Nous, Husqvarna AB, SE 561 82 Huskvarna, SUÈDE, déclarons sous notre responsabilité exclusive que le produit représenté :

Description	Souffleur à essence/ aspirateur-souffleur
Marque	McCulloch
Plate-forme / Type / Mod- èle	Plate-forme GHB28VPR, représentant le modèle GBV 322, GBV 322VX
Lot	Numéro de série à partir de 2018

est entièrement conforme à la réglementation et aux directives de l'UE suivantes :

Directive/Réglementa- tion	Description
2006/42/EC	« relative aux machines »

Directive/Réglementa- tion	Description
2014/30/UE	« relative à la compati- bilité électromagnétique »,
2000/14/EC	« relative au bruit exté- rieur »

Les normes harmonisées et/ou les spécifications techniques appliquées sont comme suit : EN ISO 12100, EN 15503, CISPR 12, ISO 14982

Conformément à la directive 2000/14/CE, Annexe V, les valeurs déclarées saines sont stipulées dans la section Données techniques de ce manuel et dans la Déclaration de Conformité signée de la CE.

TÜV Rheinland N. A. a procédé à un examen volontaire pour Husqvarna AB et lui a attribué un certificat de conformité à la directive 2006/42/CE du Conseil de la CE relative aux machines.

Le certificat, comme indiqué dans la Déclaration de Conformité signée de la CE, s'applique à l'ensemble des

sites de fabrication et des pays d'origine, comme indiqué sur le produit.

Le souffleur à essence/l'aspirateur-souffleur fourni correspond aux exemplaires soumis au contrôle de conformité communautaire européen.

Sadržaj

UVOD.....	125	ODRŽAVANJE.....	131
SIGURNOST.....	126	TEHNIČKI PODACI.....	133
SASTAVLJANJE.....	128	SADRŽAJ EUROPSKE DEKLARACIJE O	
RAD.....	129	USKLAĐENOSTI.....	134

UVOD

Korisnički priručnik

Prvi jezik u ovom korisničkom priručniku je engleski. Korisnički priručnici na drugim jezicima prijevod su iz engleskog jezika.

Pregled

(Sl. 1)

1. Rameni pojas
2. Regulator gasa
3. Prekidač za zaustavljanje
4. Tempomat
5. Kućište ventilatora
6. Čep spremnika za gorivo
7. Filtar zraka
8. Poluga čoka
9. Pumpica za gorivo
10. Ulazni poklopac
11. Ručka usisivača
12. Nož za malčiranje (GBV 322VX)
13. Rotor ventilatora
14. Donja cijev puhača (GBV 322)
15. VX™ cijev puhača (GBV 322VX)
16. Gornja cijev puhača
17. Vijak
18. Prigušivač
19. Žica uzemljenja
20. Ručica za paljenje
21. Pokretač
22. Ručica
23. Višenamjenski alat
24. Cijev vreće za skupljanje
25. Vreća za skupljanje
26. Cijev usisivača u dva odjeljka
27. Vijak
28. Korisnički priručnik

Simboli na proizvodu

- (Sl. 2) Upozorenje
- (Sl. 3) Pročitajte ovaj priručnik
- (Sl. 4) Upotrebljavajte odobrenu zaštitu za glavu

- (Sl. 5) Upotrebljavajte odobrenu zaštitu sluha
- (Sl. 6) Upotrebljavajte odobrenu zaštitu za oči (ANSI Z87.1 ili jednakovrijednu)
- (Sl. 7) Upotrebljavajte odobrene zaštitne čizme i rukavice
- (Sl. 8) Nosite duge rukave i hlače
- (Sl. 9) Tijekom rada s proizvodom nemojte nositi nakit.
- (Sl. 10) Za otpuštanje zasuna upotrijebite vrh odvijača.
- (Sl. 11) Ne usisivajte kamenje, šljunak, metar, komadiće stakla, gumeni malč ili druge materijale koji mogu izazvati oštećenje rotora.
- (Sl. 12) Proizvod može uzrokovati izbacivanje predmeta koji mogu ozlijediti oči
- (Sl. 13) Nemojte se približavati rotoru dok se okreće
- (Sl. 14) Puni čok
- (Sl. 15) Pola čoka
- (Sl. 16) Bez čoka
- (Sl. 17) Duga kosa obavezno mora biti iznad ramena.
- (Sl. 18) Sigurna udaljenost
- (Sl. 19) Zajamčena razina jakosti zvuka
- (Sl. 20) Proizvod ispunjava mjerodavne smjernice EZ-a.
- (Sl. 21) Proizvod ispunjava mjerodavne direktive EAC.

Proizvod ispunjava mjerodavne direktive u
(Sl. 22) Ukrajini.

Napomena: Drugi simboli/naljepnice na proizvodu odnose se na zahtjeve za certifikaciju na drugim tržišnim područjima.

EU V



UPOZORENJE: Petljanjem po motoru gubite pravo na odobrenje EU-a ovog proizvoda.

SIGURNOST

Sigurnosne definicije

Definicije u nastavku prikazuju razinu ozbiljnosti svake signalne riječi.



UPOZORENJE: Ozljeđe osoba.



OPREZ: Oštećenje proizvoda.

Napomena: Informacije olakšavaju korištenje proizvoda.

Opće sigurnosne upute

- Proizvod koristite ispravno. Nepravilno korištenje može uzrokovati ozljede ili smrt. Proizvod koristite samo za zadatke iz ovog priručnika. Proizvod nemojte koristiti za druge zadatke.
- Poštujte upute iz ovog priručnika. Poštujte sigurnosne simbole i sigurnosne upute. Ako operater ne poštuje upute i simbole, može doći do ozljeda, oštećenja ili smrti.
- Čuvajte ovaj priručnik. Koristite upute za sastavljanje, korištenje i održavanje proizvoda. Koristite upute za pravilnu ugradnju priključaka i dodatne opreme. Koristite isključivo odobrene priključke i dodatnu opremu.
- Nemojte koristiti oštećen proizvod. Pridržavajte se rasporeda održavanja. Provodite samo radove održavanja za koje su u priručniku navedene upute. Svi drugi radovi održavanja moraju se provesti u odobrenom servisnom centru.
- Priručnik ne može sadržavati sve situacije koje mogu nastati prilikom korištenja proizvoda. Budite pažljivi i razumni. Nemojte koristiti ili održavati proizvod ako niste sigurni u situaciju. Informacije zatražite od stručnjaka za proizvod, serviseru ili odobrenog servisnog centra.
- Prije sastavljanja, pohrane ili održavanja proizvoda odspojite kabel svjećice.

Pouzdanost proizvoda

Sukladno zakonima o pouzdanosti proizvoda nismo odgovorni za oštećenja uzrokovana našim proizvodima ako je:

- proizvod nepravilno popravljen.
- proizvod popravljen dijelovima koje nije proizveo proizvođač ili nemaju odobrenje proizvođača.
- proizvod ima dodatnu opremu koje nije proizveo proizvođač ili nemaju odobrenje proizvođača.
- proizvod nije popravljen u odobrenom servisnom centru ili kod ovlaštene osobe.

- Nemojte koristiti proizvod ako su mu promijenjene početne specifikacije. Nemojte mijenjati dio proizvoda bez odobrenja proizvođača. Upotrebljavajte isključivo dijelove s odobrenjem proizvođača. Nepravilno održavanje može uzrokovati ozljede ili smrt.
- Nemojte udisati pare motora. Dugotrajno udisanje ispušnih para motora opasnost je za zdravlje.
- Proizvod nemojte pokretati u zatvorenom prostoru ili u blizini zapaljivog materijala. Ispušne pare su vruće i mogu sadržavati vruće iskre koje mogu uzrokovati požar. Nedovoljan protok zraka može uzrokovati ozljede ili smrt zbog gušenja ili trovanja ugljičnim monoksidom.
- Prilikom korištenja proizvoda motor stvara elektromagnetsko polje. Elektromagnetsko polje može oštetiti medicinske implantate. Prije uporabe proizvoda obratite se liječniku ili proizvođaču medicinskog implantata.
- Djeci nemojte dopustiti korištenje proizvoda. Osobama koje nisu upoznate s uputama nemojte dopustiti upotrebu proizvoda.
- Osobu smanjenih fizičkih ili mentalnih sposobnosti obavezno nadzirite tijekom korištenja proizvoda. Cijelo vrijeme mora biti prisutna odgovorna odrasla osoba.
- Proizvod zaključajte u prostor u koji je djeci i neovlaštenim osobama onemogućen pristup.
- Proizvod može izbacivati predmete i uzrokovati ozljede. Poštujte sigurnosne upute kako biste smanjili opasnost od ozljede i smrti.
- Nemojte se udaljavati od proizvoda s uključenim motorom.
- Za nezdoge je odgovoran korisnik proizvoda.
- Prije korištenja proizvoda provjerite jesu li njegovi dijelovi neoštećeni.
- Prije korištenja proizvoda provjerite jeste li od drugih osoba ili životinja udaljeni najmanje 15 m (50 stopa). Osobe u neposrednoj okolini morate obavijestiti o namjeri korištenja proizvoda.
- Pogledajte nacionalne ili lokalne zakone. Njima u određenim uvjetima može biti spriječeno ili ograničeno korištenje proizvoda.

- Proizvod nemojte koristiti kada ste izmoreni ili pod utjecajem alkohola, droga ili lijekova. To može negativno utjecati na vaš vid, opreznost, sposobnost rasuđivanja ili koordinaciju.

Sigurnost od vibracija

Ovaj je proizvod namijenjen samo za povremenu upotrebu. Neprestana ili redovita upotreba proizvoda može uzrokovati bolest "bijelih prstiju" ili slične medicinske probleme uzrokovane vibracijama. Ako proizvod upotrebljavati prestano ili redovito, pregledavajte stanje ruku i prstiju. Ako na rukama ili prstima dođe do promjene boje te ako osjetite bolove, trnce ili otupljenost, prekinite s radom i odmah se obratite liječniku.

Sigurnosne upute za uporabu puhača

- Proizvod upotrebljavajte samo za puhanje ili uklanjanje lišća i drugih ostataka na tlu.
- Proizvod nemojte upotrebljavati kada ste umorni, bolesni ili pod utjecajem alkohola, droge ili lijekova.
- Promatrači i životinje ne smiju se približiti korisniku na bliže od 15 m (50').
- Proizvod može izbaciti predmete koji se mogu odbiti i udariti korisnika. To može uzrokovati ozljede očiju.
- Mlaznicu puhača nemojte usmjeravati prema osobama ili životinjama.
- Duga kosa obavezno mora biti iznad ramena.
- Prije postavljanja ili uklanjanja opreme ili drugih komponenti obavezno zaustavite motor.
- Proizvod nemojte upotrebljavati bez štitnika.
- Proizvod nemojte koristiti ako se u radnom području zadržavaju druge osobe. Zaustavite proizvod ako druga osoba pristupi radnom području.
- Proizvod nemojte upotrebljavati u prostoru s nedovoljnim protokom zraka. Nedovoljan protok zraka može uzrokovati ozljede ili smrt zbog gušenja ili trovanja ugljičnim monoksidom.
- Prigušivač je vrlo vruć kada je proizvod uključen, nakon zaustavljanja i pri pogonu u praznom hodu. Budite pažljivi u blizini zapaljivih materijala i para.
- Nemojte dodirivati područje poklopca usisa. Nakit i viseću odjeću držite podalje od područja usisa.
- Uvijek osigurajte dobro uporište i upotrebljavajte proizvod samo na sigurnim i ravnim podlogama. Klizave ili nestabilne podloge, primjerice ljestve, mogu uzrokovati gubitak ravnoteže ili kontrole.
- Proizvod nemojte upotrebljavati na visinama, primjerice na krovu.
- Proizvod učvrstite tijekom prijevoza.
- Proizvod upotrebljavajte samo u preporučenom vremenu. Poštujte lokalne propise. Uobičajene preporuke su od 9:00 do 17:00, od ponedjeljka do subote.
- Proizvod pri obavljanju rada pogonite najnižim mogućim gasom.

- Prilikom rada s proizvodom osigurajte se od pada. Tijekom rada s proizvodom nemojte ga naginjati.
- Prije rada provjerite je li proizvod u dobrom stanju, posebice prigušivač, dovod zraka i filter zraka.
- Prije upotrebe proizvoda grabljama ili metlom otpustite ostatke na tlu.
- Ako je radno područje prljavo, isperite ga crijevom.
- Upotrebljavajte proizvod kao zamjenu za crijevo kako biste štedjeli vodu.
- Ostatke otpuhujte na siguran način. Pazite na djecu, životinje, otvorene prozore ili vozila.
- Proizvod nemojte usmjeravati na biljke koje se lako oštećuju.
- Zrak nemojte upuhivati u smjeru zidova, velikog kamenja, vozila i ograda.
- Ako radite u unutarnjim rubovima, pušite iz kuta u središte radnog područja. Ako to ne činite, ostaci vas mogu udariti u lice i uzrokovati ozljedu.
- Pomoću punog produžetka mlaznice strujanje mlaz održavajte blizu tla.
- Promatrači moraju nositi zaštitu za oči.
- Ostatke bacite u kantu za smeće nakon upotrebe proizvoda.

Sigurnosne upute za uporabu usisavača

- Spriječite oštećenje ventilatora. Nemojte usisavati velike, čvrste predmete poput drveta, konzervi, gumeni malč ili duge komade užeta.
- Sa cijevi usisavača nemojte udarati u tlo.
- Zaustavite motor i odspojite lulicu svječiце prije uklanjanja blokade ili materijala začepljenja.

Oprema za osobnu zaštitu

- Prilikom korištenja stroja obavezno koristite prikladnu opremu za osobnu zaštitu. Oprema za osobnu zaštitu ne poništava opasnost od ozljede. Oprema za osobnu zaštitu smanjuje ozbiljnost ozljede u slučaju nezgode.
- Tijekom korištenja stroja obavezno koristite odobrenu zaštitu za oči.
- Proizvod nemojte koristiti bez obuze ili s otvorenim cipelama. Obavezno koristite čizme za teške uvjete rada otporne na klizanje.
- Nosite teške, duge hlače.
- Po potrebi nosite odobrene zaštitne rukavice.
- Ako postoji opasnost od padanja predmeta na glavu, nosite kacigu.
- Tijekom korištenja stroja obavezno koristite odobrenu zaštitu sluha. Dugotrajna izloženost buci može uzrokovati gubitak sluha.
- Obavezno upotrebljavajte odobrenu zaštitnu masku od prašine pri upotrebi proizvoda u prašnjavim uvjetima.
- U blizini obavezno imajte kutiju prve pomoći.

Zaštitni uređaji na proizvodu

- Redovno održavajte proizvod.

- Time produljujete vijek trajanja proizvoda.
- Također smanjujete opasnost od nezgoda.

Redovno pregledavajte proizvoda kod odobrenog trgovca ili odobrenog servisera radi provedbe prilagodbi ili popravaka.

- Nemojte koristiti uređaj s oštećenom zaštitnom opremom. Ako je proizvod oštećen, obratite se odobrenom servisnom centru.

Prekidač za zaustavljanje

Pokrenite motor. Provjerite zaustavlja li se motor kada prekidač za zaustavljanje postavite u položaj za zaustavljanje.

Prigušivač



UPOZORENJE: Nemojte dodirivati vrući prigušivač. Prigušivač je tijekom pogona i po zaustavljanju motora vrlo vruć. Dodirivanje prigušivača može uzrokovati opekline.

- Nemojte koristiti motor ako je prigušivač oštećen. Oštećen prigušivač povećava razinu buke i opasnost od požara. Imajte protupožarni aparat u blizini.
- Redovno provjeravajte pričvršćenost prigušivača za proizvod.
- Kada je motor uključen nemojte dodirivati motor ili prigušivač. Motor ili prigušivač nemojte dodirivati ni neposredno nakon zaustavljanja motora. Vruće površine mogu uzrokovati ozljede.
- Vrući prigušivač može uzrokovati požar. Budite pažljivi ako proizvod koristite u blizini zapaljivih tekućina ili para.
- Ako je prigušivač oštećen, nemojte dodirivati njegove dijelove. Dijelovi mogu sadržavati kancerogene kemikalije.
- Neki modeli puhača imaju mrežicu za hvatanje iskri. Mrežicu čistite i mijenjajte u zadanim intervalima. Pogledajte odjeljak Održavanje (*ODRŽAVANJE na stranici 131*).

Sigurnost pri rukovanju s gorivom

- Nemojte pokretati proizvod ako u njemu ima goriva ili motornog ulja. Uklonite neželjeno gorivo/ulje i pričekaite na sušenje proizvoda. Uklonite neželjeno gorivo iz proizvoda.
- Ako gorivo prolijete po odjeći, odmah ju zamijenite.
- Gorivu nemojte dopustiti kontakt s tijelom jer može uzrokovati ozljede. Ako dođe do kontakta goriva s tijelom, sapunom i vodom isperite gorivo.

- Nemojte pokretati motor ako ste po proizvodu ili tijelu prollili gorivo.
- Nemojte pokretati proizvod ako motor propušta. Redovito pregledavajte ima li na motoru propuštanja.
- Budite pažljivo s gorivom. Gorivo je zapaljivo, a pare su eksplozivne i mogu uzrokovati ozljede i smrt.
- Nemojte udisati pare goriva, one mogu uzrokovati ozljede. Osigurajte dovoljan protok zraka.
- U blizini goriva ili motora nemojte pušiti.
- U blizinu goriva ili motora nemojte stavljati vruće predmete.
- Nemojte ulijevati gorivo kada je motor uključen.
- Prije ulijevanja goriva provjerite je li motor hladan.
- Prije ulijevanja goriva polako otvorite čep spremnika goriva i pažljivo ispuštite tlak.
- Gorivo u motor nemojte ulijevati u zatvorenom prostoru. Nedovoljan protok zraka može uzrokovati ozljede ili smrt zbog gušenja ili trovanja ugljičnim monoksidom.
- Pažljivo zategnite čep spremnika goriva kako ne biste uzrokovali požar.
- Prije pokretanja proizvod odmaknite najmanje 3 m (10') od mjesta punjenja spremnika.
- U spremnik za gorivo nemojte uliti previše goriva.
- Provjerite ima li propuštanja pri pomicanju proizvoda ili posude za gorivo.
- Proizvod ili posudu za gorivo nemojte stavljati u blizinu otvorenog plamena, iskri ili lampica. U prostoru za skladištenje ne smije biti otvorenog plamena.
- Za prijenos ili skladištenje goriva koristite isključivo odobrene posude.
- Prije dugotrajnog skladištenja ispraznite spremnik za gorivo. Poštujte lokalne zakone o lokaciji zbrinjavanja goriva.
- Očistite proizvod prije dugotrajnog skladištenja.
- Prije skladištenja stroja uklonite kabel svjećice kako biste spriječili slučajno pokretanje motora.

Sigurnosne upute za održavanje



UPOZORENJE: Nepravilno održavanje može uzrokovati ozbiljna oštećenja motora ili ozbiljne ozljede.

Vlasnik je odgovoran za provedbu svih neophodnih održavanja u skladu s uputama za rukovanje. Prije održavanja odspojite svjećicu. Svjećicu nemojte odspajati prije podešavanja rasplinjača.

SASTAVLJANJE



UPOZORENJE: Prije sastavljanja proizvoda pročitaite poglavlje o sigurnosti.

Instalacija gornje cijevi puhača

1. Poravnajte utor na gornjoj cijevi puhača (A) s jezičcem na izlazu puhača (B). (Sl. 23)

2. Do kraja gurnite gornju cijev puhača na izlaz puhača.
3. Okrećite gornju cijev puhača sve dok se provrt u cijevi ne poravna s navojima matice na izlazu puhača. (Sl. 24)
4. Instalirajte vijak (C). (Sl. 25)
5. Odvijačem okrećite vijak u smjeru kazaljke na satu kako biste pričvrstili cijev.

Instalacija donje cijevi puhača

1. Poravnajte utore na donjoj cijevi puhača (A) s jezičcima na gornjoj cijevi puhača (B). (Sl. 26)
2. Do kraja gurnite donju cijev puhača na gornju cijev puhača.
3. Do kraja okrećite donju cijev puhača sve dok jezičac ne uskoči na završetak utora. (Sl. 27)

Ugradnja VX™ cijevi puhača

1. Poravnajte utore na VX™ cijevi puhača (A) s jezičcima na gornjoj cijevi puhača (B). (Sl. 28)
2. Do kraja gurnite VX™ cijev puhača na gornju cijev puhača.
3. Do kraja okrećite VX™ cijev puhača sve dok jezičac ne uskoči na završetak utora. (Sl. 29)

Instalacija gornje cijevi za usisavanje

1. Umetnite vrh odvijača u zaporni dio otvora usisavača. (Sl. 30)
2. Blago nagnite ručku odvijača prema prednjem dijelu proizvoda da biste otpustili zasun.
3. Držite poklopac na otvoru usisavača otvorenim dok gornja cijev za usisavanje ne bude na mjestu. (Sl. 31)

4. Poravnajte izbočinu s unutarnje strane otvora usisavača s utorama na gornjoj usisnoj cijevi.

Napomena: Poravnajte pokazatelje na otvoru ulaza u usisavač s gornjom cijevi za usisavanje.

5. Do kraja gurnite gornju cijev za usisavanje u otvor usisavača.
6. Do kraja okrećite gornju cijev za usisavanje u smjeru kretanja kazaljke na satu sve dok ne začujete škljocaj. (Sl. 32)

Instalacija donje cijevi za usisavanje

1. Poravnajte utor na donjoj cijevi usisavača s jezičkom na gornjoj cijevi usisavača.
2. Do kraja gurnite donju cijev puhača na gornju cijev puhača sve dok jezičac ne uskoči na završetak utora. (Sl. 33)
3. Ugradite vijak.
4. Odvijačem okrećite vijak u smjeru kazaljke na satu kako biste pričvrstili cijev. (Sl. 34)

Instalacija cijevi vreće za sakupljanje

1. Poravnajte utor na cijevi vreće za sakupljanje (A) s jezičcem na izlazu puhača (B). (Sl. 35)
2. Do kraja gurnite cijev vreće za sakupljanje na izlaz puhača.
3. Okrećite cijev vreće za sakupljanje sve dok se provrt u cijevi ne poravna s navojima matice na izlazu puhača. (Sl. 36)
4. Instalirajte vijak (C).
5. Odvijačem okrećite vijak u smjeru kazaljke na satu kako biste pričvrstili cijev. (Sl. 37)

RAD



UPOZORENJE: Prije korištenja proizvoda pročitajte i usvojite poglavlje o sigurnosti.



OPREZ: Nemojte koristiti benzin s koncentracijom etanola višom od 10% (E10). Tako možete oštetiti proizvod.

Gorivo

Korištenje goriva



OPREZ: Proizvod ima dvotaktni motor. Koristite mješavinu benzina i dvotaktnog motornog ulja. U mješavini koristite ispravnu količinu ulja. Nepravilan omjer benzina i ulja može oštetiti motor.

- Obavezno koristite bezolovni benzin minimalnog oktanskog broja 90 RON (87 AKI) i s koncentracijom etanola manjom od 10% (E10).
- Ako proizvod koristite redovito i pri visokom broju okretaja, koristite benzin s višim oktanskim brojem.

Dvotaktno motorno ulje

- Koristite isključivo dvotaktno motorno ulje visoke kvalitete. Koristite isključivo motorno ulje za zračno hlađenje.
- Nemojte koristiti druge vrste ulja.
- Omjer mješavine 50:1 (2%)

Benzin



OPREZ: Nemojte koristiti benzin s oktanskim brojem manjim od 90 RON (87 AKI). Tako možete oštetiti proizvod.

Benzin	Ulje
1 amer. gal.	77 ml (2,6 oz)
1 UK gal.	95 ml (3,2 oz)
5 l	100 ml (3,4 oz)

Izrada mješavine goriva

Napomena: Za miješanje goriva uvijek koristite čistu posudu za gorivo.

Napomena: Nemojte praviti mješavine goriva za razdoblja dulja od 30 dana.

1. Ulijte pola količine benzina.
2. Ulijte cijelu količinu ulja.
3. Zamiješajte mješavinu kako biste pomiješali sastojke.
4. Dodajte preostalu količinu goriva.
5. Zamiješajte mješavinu kako biste pomiješali sastojke.
6. Napunite spremnik goriva.

Ulijevanje goriva

- Obavezno koristite posudu za gorivo s ventilom za sprječavanje izlijevanja.
- Ako se u posudi nalazi gorivo, izlijte neželjeno gorivo i isušite ju.
- Područje uz čep spremnika goriva mora biti čisto.
- Posude za gorivo protresite prije ulijevanja mješavine u spremnik za gorivo.

Pokretanje i zaustavljanje

Prije pokretanja motora

- Pregledajte nedostaju li na proizvodu dijelovi te ima li oštećenih, nepričvršćenih ili istrošenih dijelova.
- Pregledajte vreću za sakupljanje. Uvjerite se kako vreća za sakupljanje nije oštećena te kako je patent zatvarač zatvoren.
- Pregledajte matice i vijke.
- Pregledajte filter zraka.
- Provjerite ispravnost rada regulatora gasa.
- Provjerite ispravnost rada prekidača za zaustavljanje.
- Pregledajte ima li na proizvodu ispuštanja goriva.

Pokretanje hladnog motora



UPOZORENJE: Uže pokretača nemojte omatati oko ruke.



OPREZ: Proizvod nemojte držati nogom.



OPREZ: Uže pokretača nemojte izvlačiti u krajnji položaj. Nemojte ispuštati ručicu izvučenog užeta pokretača. Tako možete oštetiti proizvod.

Napomena: Ako se motor zaustavi, kontrolu čoka postavite u zatvoreni položaj i ponovite korake za pokretanje.

1. Napunite spremnik za gorivo čistom mješavinom goriva.
2. Lijevom rukom zadržite kućište stroja na tlu. Provjerite je li kraj puhača usmjeren suprotno od ljudi, životinja, stakla te krutih i čvrstih predmeta.
3. 10 puta sporo pritisnite pumpicu za gorivo.
4. Pomaknite polugu čoka na položaj PUNI ČOK.
5. Pritisnite i zadržite regulator gasa.
6. Snažno povucite ručicu užeta pokretača do pokušaja pokretanja motora, no ne više od 3 povlačenja.

Napomena: Ako je temperatura ispod 4 °C (40 °F), nastavite povlačiti ručicu užeta pokretača sve do pokušaja pokretanja motora.

7. Pomaknite polugu čoka na položaj POLA ČOKA.
8. Snažno povlačite ručicu užeta za pokretanje dok se motor ne pokrene.
9. Pustite motor da radi približno 10 sekundi.
10. Regulator čoka pomaknite u položaj BEZ ČOKA.

Pokretanje zagrijanog motora

1. 10 puta sporo pritisnite pumpicu za gorivo.
2. Pomaknite polugu čoka na položaj POLA ČOKA.
3. Snažno povlačite ručicu užeta za pokretanje dok se motor ne pokrene.
4. Regulator čoka pomaknite u položaj BEZ ČOKA.

Za pokretanje motora s blokadom tlaka

Do blokade tlaka dolazi kada gorivo u dovodu za gorivo ili rasplinjaču ispari zbog povećane topline.

Proizvod možda sadrži blokadu tlaka ako se ne pokrene pri temperaturi okoline većoj od 35°C (95°F) i ako je bio isključen od 15 do 45 minuta.

1. Pumpu za pročišćavanje zraka opetovano pritišćite 10 do 15 sekundi.
2. Pomaknite polugu čoka na položaj POLA ČOKA.
3. Snažno povlačite ručicu užeta za pokretanje dok se motor ne pokrene.
4. Pustite da motor radi do 3 minute u praznom hodu.
5. Regulator čoka pomaknite u položaj BEZ ČOKA.

Isključivanje motora

- Pritisnite i otpustite prekidač za ZAUSTAVLJANJE (STOP) motora. Prekidač se automatski vraća u položaj UKLJUČENO (ON). Prije pokušaja ponovnog pokretanja proizvoda pričekajte 7 sekundi kako bi se prekidač ponovno postavio.

Prilagodba VX™ cijevi puhača

1. Poravnajte ispravan utor (A ili B) na vanjskoj VX™ cijevi puhača s jezičcem (C) na unutarnjoj cijevi. (Sl. 38)

Napomena: Kad su cijevi sastavljene, ne možete vidjeti jezičac. Kako pomičete vanjsku cijev, morate moći osjetiti položaj jezičca.

Napomena: Neka jezičac uskoči u položaj „A“ za veliki otvor puhača. Veliki otvor puhača ispuhuje široke površine suhog lišća i drugog neželjenog materijala. Neka jezičac uskoči u položaj „B“ za mali otvor puhača. Mali otvor puhača omogućuje brži protok zraka radi čišćenja pukotina i ispuhivanja teških materijala, kao što je to mokro lišće.

2. Okrenite vanjsku cijev kao što je prikazano na slici da bi jezičac iskočio iz utora. (Sl. 39)
3. Za promjenu položaja pomičite vanjsku cijev duž unutarnje cijevi. (Sl. 40)
4. Okrećite vanjsku cijev kao što je to prikazano na slici sve dok jezičac u cijelosti ne uskoči u ispravan položaj na utoru. (Sl. 41)

Radni položaj

- Puhač (Sl. 42)
- Usisivač (Sl. 43)

Usisavanje

Prije usisavanja opremite se neophodnom sigurnosnom opremom.



UPOZORENJE: Prije upotrebe provjerite je li vreća za sakupljanje neoštećena te je li patent zatvarač zatvoren. Nemojte upotrebljavati oštećenu vreću. Tako sprječavate ozljede uzrokovane letećim ostacima. Rukovanjem lijevom rukom povećavate opasnost. Nemojte tijelom dodirivati područje izlaza ispuha.



UPOZORENJE: Puhač nemojte pokretati ako je poklopac usisa otvoren ili oštećen (osim ako nije postavljena cijev usisavača).

- Vreću za sakupljanje tijekom rada puhača morate držati naramenicom. Naramenicu trebate nositi na vrhu ramena.
- Pokrenite puhač. Poštujte upute iz odjeljka za pokretanje i zaustavljanje *Pokretanje i zaustavljanje na stranici 130*. Pročitajte sigurnosne upute *SIGURNOST na stranici 126*.

Pražnjenje vreće za skupljanje



UPOZORENJE: Obavezno pregledajte vreću za sakupljanje. Prije upotrebe provjerite je li neoštećena te je li patent zatvarač zatvoren. Nemojte koristiti oštećenu vreću za skupljanje. Postoji opasnost od ozljede letećim ostacima. Budite pažljivi pri rukovanju lijevom rukom. Nemojte dodirivati područje izlaza ispuha.

1. Zaustavite proizvod.
2. Otvorite bočni patentni zatvarač.
3. Ispraznite vreću za sakupljanje.
4. Zatvorite patent zatvarač.

ODRŽAVANJE



UPOZORENJE: Prije čišćenja, popravljanja ili održavanja proizvoda pročitajte i usvojite sigurnosno poglavlje.

Raspored održavanja

Obavezno pratite raspored održavanja. Intervali su izračunati za dnevno korištenje proizvoda. Intervali se razlikuju ako proizvod ne koristite svaki dan. Provodite samo zahvate održavanja navedene u ovom priručniku. Za radove održavanja koji nisu navedeni u ovom priručniku obratite se odobrenom servisnom centru.

Dnevno održavanje

- Očistite vanjske površine.

- Ispitajte rad regulacije brzine i regulatora gasa. Zamijenite oštećene dijelove.
- Pregledajte prekidač za zaustavljanje. Po potrebi ga zamijenite.
- Provjerite broj okretaja u praznom hodu.
- Očistite filtar zraka. Po potrebi ga zamijenite.
- Provjerite može li se poklopac usisa zavraviti u zatvorenom položaju. Provjerite je li rotor čist.
- Zategnite sve matice i vijke.
- Uvjerite se kako kućišta nisu ispuhana.
- Uvjerite se kako vreća za sakupljanje nije oštećena te kako je patent zatvarač ispravan. Po potrebi zamijenite vreću.

Tjedno održavanje

- Provjerite stanje uređaja za pokretanje, užeta za pokretanje i opruge zatezača. Zamijenite sve oštećene dijelove.
- Provjerite stanje usisa zraka na uređaju za pokretanje. Ako je usis zraka začepljen, uklonite ostatak.
- Očistite vanjski dio svjeće. Izvadite ju i provjerite razmak elektroda. Podesite udaljenost na 6 mm (0,024") ili zamijenite svjećicu.
- Očistite noževe na rotoru.
- Očistite mrežicu za hvatanje iskri i po potrebi ju zamijenite (ne na prigušivačima s katalizatorom).
- Očistite područje rasplinjača.
- Očistite filter zraka.

Mjesečno održavanje

- Pregledajte ručicu užeta pokretača i uže pokretača.
- Očistite spremnik za gorivo.
- Očistite rasplinjač i područje oko njega.
- Očistite noževe na rotoru.
- Uvjerite se da vodovi goriva nisu ispućani te da nemaju druga oštećenja. Zamijenite ga ako je potrebno
- Promijenite filter za gorivo u spremniku za gorivo.
- Pregledajte sve kabele i priključke.
- Promijenite svjećicu.
- Zamijenite filter za zrak.

Godišnje održavanje

- Pregledajte svjećicu.
- Očistite vanjsku površinu rasplinjača te okolne površine.
- Očistite rashladni sustav.
- Pregledajte mrežicu za hvatanje iskri.
- Pregledajte filter goriva.
- Pregledajte ispravnost crijeva za gorivo.
- Pregledajte sve kabele i priključke.

Održavanje nakon 50 h

- U odobrenom servisnom centru popravite ili zamijenite prigušivač.

Podešavanje broja okretaja u praznom hodu

Prije podešavanja broja okretaja u praznom hodu provjerite je li filter zraka čist i je li postavljen poklopac filtra.

Prilagodite broj okretaja u praznom hodu uz pomoć vijka za podešavanje.

(Sl. 44)

Broj okretaja motora u praznom hodu ispravan je kada motor radi ugladeno u svim položajima.

1. Za viši broj okretaja u praznom hodu vijak za podešavanje broja okretaja u praznom hodu okrenite u smjeru kazaljke na satu.
2. Za niži broj okretaja u praznom hodu vijak za podešavanje broja okretaja u praznom hodu okrenite u smjeru suprotnom od kazaljke na satu.

Održavanje mrežice za hvatanje iskri

Mrežicu za hvatanje iskri očistite žičanom četkicom.

Čišćenje rashladnog sustava

Dijelove rashladnog sustava očistite četkicom.

Pregled svjeće



OPREZ: Uvijek koristite preporučenu vrstu svjeće. Neodgovarajuća vrsta svjeće može oštetiti proizvod.

- Ako motor nema snage, teško se pokreće ili ne radi ispravno u praznom hodu, pregledajte svjećicu.
- Za smanjenje opasnosti od nepoželjnog materijala na elektrodama svjeće pratite sljedeće upute:
 - a) Provjerite je li broj okretaja pri praznom hodu pravilno podešen.
 - b) Provjerite ispravnost mješavine goriva.
 - c) Provjerite je li filter zraka čist.
- Ako je svjećica prljava, očistite ju i provjerite ispravnost razmaka između elektroda. Pogledajte *TEHNIČKI PODACI na stranici 133*. (Sl. 45)
- Po potrebi promijenite svjećicu.

Održavanje filtra zraka

Čišćenje filtra zraka

1. Skinite poklopac filtra zraka i izvadite filter zraka.
2. Očistite filter zraka vrućom sapunicom. Filter zraka mora biti suh prije ugradnje.
3. Ako je filter zraka previše onečišćen i ne možete ga u potpunosti očistiti, zamijenite ga. Oštećeni filter zraka obavezno zamijenite.
4. Ako proizvod ima pjenasti filter zraka, koristite ulje za filter zraka. Ulje za filter zraka nanosite samo na pjenasti filter. Ulje nemojte nanositi na filter od filca.

TEHNIČKI PODACI

	jedinica	GBV 322 (GHB28VPR)	GBV 322VX (GHB28VPR)
Specifikacije motora			
Zapremnina cilindra	cm ³	26	26
Razmak elektroda	mm	0,6	0,6
Obujam spremnika za gorivo	cm ³	500	500
Brzina okretaja pri praznom hodu	min ⁻¹	2800 – 3200	2800 – 3200
Broj okretaja za maksimalnu snagu	min ⁻¹	8000	8000
Snaga	kW	0,8	0,8
Svjećica		Champion RCJ-6Y	Champion RCJ-6Y
Maksimalni broj okretaja u način rada puhača	min ⁻¹	8600	8600
Maksimalni broj okretaja u način rada usisavača	min ⁻¹	--	7500
Razdoblje trajnosti emisije	h	50	50
Podaci o buci i vibracijama			
Ekvivalentna razina vibracija na ručkama sa cijevima puhača i mlaznicom (originalni) – pogledajte napomenu 1	m/s ²	7,5	7,5
Ekvivalentna razina vibracija na ručkama sa cijevima usisavača (originalne), lijevo/desno – pogledajte napomenu 1	m/s ²	7,4	7,4
Ekvivalentne razine tlaka zvuka na uhu rukovatelja izmjerene u skladu s ISO 22868, sa cijevima puhača i mlaznicom (originalni) – pogledajte napomenu 3	dB (A)	95,6	95,6
Razina jačine zvuka, zajamčena (L _{WA}) – pogledajte napomenu 2	dB (A)	112	112
Razina jačine zvuka, izmjerena – pogledajte napomenu 2	dB (A)	109	109
Dimenzije proizvoda			
Težina	kg	4.4	4,5
Napomena 1: Podaci o ekvivalentnoj razini vibracije pokazuju tipičnu statističko raspršenje (standardno odstupanje) od 1,5 m/s ² .			
Napomena 2: Emisija buke izmjerena u okolini kao jačina zvuka (L _{WA}) sukladno EU Direktivi 2000/14/EC. Razina jačine zvuka stroja izmjerena je s originalnim nastavkom koji proizvodi najvišu razinu buke. Razlika između zajamčene i izmjerene razine buke jest da zajamčena razina uključuje i raspršenje rezultata mjerenja i varijacije između različitih uređaja istog modela u skladu s Direktivom 2000/14/EZ.			
Napomena 3: Navedeni podaci za ekvivalentnu razinu pritiska zvuka za stroj uključuju tipično statističko raspršenje (standardno odstupanje) od 3 dB (A).			

Ventilator	jedinica	GBV 322	GBV 322VX
Vrsta		Radijalni ventilator	Radijalni ventilator
Maksimalna brzina zraka, standardna mlaznica	km/h	322	-
Maks. brzina zraka, VX™ cijev puhača	km/h	–	370
Zapremnina zraka u načinu rada puhača	cfm	370	450
Zapremnina zraka u načinu rada usisavača	cfm	490	490
Omjer malča		10:1	16:1
*pribor iz dodatne opreme			

SADRŽAJ EUROPSKE DEKLARACIJE O USKLAĐENOSTI

Tvrtka Husqvarna AB, SE 561 82 Huskvarna, ŠVEDSKA izjavljuje pod izričitom odgovornosti kako je predstavljeni proizvod:

Isporučeni benzinski puhač / puhač – usisavač sukladan je ispitanom primjerku.

Opis	Benzinski puhač / puhač – usisavač
Marka	McCulloch
Platforma / Vrsta / Model	Platforma GHB28VPR, koja predstavlja modele GBV 322, GBV 322VX
Grupa	Serijski brojevi iz 2018. i noviji

u potpunosti sukladan sljedećim EU direktivama i propisima:

Direktiva/propis	Opis
2006/42/EZ	„o strojevima“
2014/30/EU	„o elektromagnetskoj kompatibilnosti“
2000/14/EZ	„o vanjskoj buci“

Primijenjene su sljedeće usklađene norme i/ili tehničke specifikacije: EN ISO 12100, EN 15503, CISPR 12, ISO 14982

U skladu s Prilogom V. Direktive 2000/14/EZ objavljene vrijednosti zvuka navedene su u odjeljku s tehničkim podacima u ovom priručniku i u potpisanoj EZ izjavi o sukladnosti.

TÜV Rheinland N.A. je proveo dobrovoljno ispitivanje za tvrtku Husqvarna AB i izdao certifikat sukladnosti s EZ Direktivom vijeća 2006/42/EZ o strojevima.

Certifikacija u potpisanoj EC izjavi o sukladnosti primjenjiva je za sve proizvodne lokacije i zemlje podrijetla navedene na proizvodu.

TARTALOMJEGYZÉK

BEVEZETÉS.....	135	KARBANTARTÁS.....	142
BIZTONSÁG.....	136	MŰSZAKI ADATOK.....	143
ÖSSZESZERELÉS.....	139	AZ EK-MEGFELELŐSÉGI NYILATKOZAT TARTALMA.....	144
HASZNÁLAT.....	140		

BEVEZETÉS

Kezelői kézikönyv

A kezelői kézikönyv eredeti nyelve angol. A más nyelvű kezelői kézikönyvek az angol változat fordításai.

Áttekintés

(ábra 1)

1. Vállpánt
2. Gázkar
3. Leállítókapcsoló
4. Fordulatszámartó
5. Ventilátorház
6. Üzemanyagtartály sapkája
7. Légszűrő
8. Hidegindító kar
9. Üzemanyagpumpa
10. Szívónyílás fedele
11. Szívókészülék fogantyúja
12. Mulcsozókés (GBV 322VX)
13. Ventilátorlapát
14. Alsó fúvócső (GBV 322)
15. VX™ fúvócső (GBV 322VX)
16. Felső fúvócső
17. Csavar
18. Kipufogódob
19. Földvezeték
20. Indítószinór fogantyúja
21. Indítószervezet
22. Fogantyú
23. Kombinált kulcs
24. Gyűjtőzsák-cső
25. Gyűjtőzsák
26. Kétszakaszú szívócső
27. Csavar
28. Kezelői kézikönyv

A termék szimbólumai

(ábra 2) Figyelmeztetés

(ábra 3) Olvassa el a kézikönyvet

(ábra 4) Használjon jóváhagyott fejdődöt

(ábra 5) Használjon jóváhagyott fűlvédőt

Használjon jóváhagyott szemvédő felszerelést (ANSI Z87.1 vagy azzal egyenértékű)

(ábra 6) Használjon jóváhagyott munkavédelmi lábbelit és kesztyűt

(ábra 7) Hosszú ujjú felsőruhát és hosszú nadrágot viseljen

(ábra 8) Ne viseljen ékszer a termék működtetése során.

(ábra 9) A retesz kioldását egy csavarhúzó hegyével végezze.

(ábra 10) Ne szívjon fel köveket, kavicsot, fémeket, üvegtörmelék, gumi talajtakarót vagy olyan egyéb anyagot, amely károkat okozhat a járókerékben.

(ábra 11) A termék tárgyakat repíthet szét, amelyek megsérülést okozhatnak

(ábra 12) Ne közelítsen a forgó járókerékhez

(ábra 13) Teljes szivató

(ábra 14) Fél szivató

(ábra 15) Nincs szivató

(ábra 16) Ha hosszú haja van, úgy kösse fel, hogy az ne érjen le a válláig.

(ábra 17) Biztonságos távolság

(ábra 18) Garantált hangerőszint

(ábra 19) Ez a termék megfelel a vonatkozó EK-irányelveknek.

(ábra 20) Ez a termék megfelel a vonatkozó EAC-irányelveknek.

Ez a termék megfelel az Ukrajnában
(ábra 22) hatályos irányelveknek.

Megjegyzés: A terméken szereplő többi jelölés/címke a további piacok specifikus vizsgáztatási követelményeire vonatkozik.

EU V



FIGYELMEZTETÉS: A motor módosítása érvényteleníti a termékre vonatkozó európai uniós típusjóváahagyást.

BIZTONSÁG

Biztonsági fogalom meghatározások

Az alábbi fogalom meghatározások az egyes figyelmeztetésekhez tartozó, lehetséges veszélyek súlyosságát határozzák meg.



FIGYELMEZTETÉS: Személyi sérülés veszélye.



VIGYÁZAT: A termék károsodásának veszélye.

Megjegyzés: Ezek az információk a termék használatát könnyítik meg.

Általános biztonsági utasítások

- Használja a terméket megfelelően. A nem megfelelő használat súlyos, akár halálos sérüléssel is járhat. A terméket csak a kézikönyvben ismertetett feladatokra használja. Ne használja a terméket egyéb feladatokra.
- Tartsa be a kézikönyvben olvasható utasításokat. Vegye figyelembe a biztonsági jelzéseket és tartsa be a biztonsági utasításokat. Ha a kezelő nem az utasítások és a szimbólumok szerint jár el, anyagi kár, személyi sérülés, akár halál is bekövetkezhet.
- Őrizze meg a kézikönyvet. Használja az utasítást a termék összeszereléséhez, működtetéséhez és a megfelelő üzemállapot fenntartásához. Használja az utasítást a kiegészítők és tartozékok megfelelő felszereléséhez. Csak jóváahagyott kiegészítőt és tartozékot használjon.
- Ne használjon sérült terméket. Tartsa be a karbantartási ütemtervet. Csak olyan karbantartási munkát végezzen, amire a kézikönyvben utasítást talál. Az összes többi karbantartási munkát bízza a hivatalos szakszervizre.
- A kézikönyv nem tartalmazhatja minden olyan helyzet leírását, ami a termék használata során előfordulhat. Legyen körültekintő és hagyatkozzon a

Termékszavatosság

A termékszavatosságra vonatkozó jogszabályok értelmében nem vagyunk felelősek a termékeink által okozott károkért az alábbi esetekben:

- a termék javítását helytelenül végezték;
- a termék javítása nem a gyártótól származó vagy általa jóváahagyott alkatrészekkel történt;
- a terméket nem a gyártótól származó vagy általa jóváahagyott kiegészítővel szerelték fel;
- a termék javítását nem hivatalos szakszerviz vagy jóváahagyott egyéb szerviz végezte.

józan eszére. Ne működtesse a terméket ne végezzen rajta karbantartást, ha nem biztos a dolgában. Kérjen tájékoztatást a termék szakértőjétől, a forgalmazótól, szervizműhelytől vagy a hivatalos márkaszerviztől.

- Húzza le a gyertyapipát, mielőtt a termék összeszerelésébe kezd, elteszi vagy karbantartásba kezd.
- Ne használja a terméket, ha megváltozott az eredeti specifikációja. Ne cseréljen a terméken alkatrészt a gyártó jóváhagyása nélkül. Kizárólag a gyártó által jóváahagyott alkatrészeket használja. A nem megfelelő karbantartás súlyos, akár végzetes sérüléssel is járhat.
- Ne lélegezze be a motorból kiáramló füstöt. A motor kipufogógázainak hosszas belégzése káros lehet az egészségre.
- Ne indítsa be az egységet zárt helyiségben vagy gyúlékony anyagok közelében. A kipufogógázok forróak, és lehet bennük szikra, mely tüzet okozhat. A nem elegendő mértékű légáramlás fulladás vagy szén-monoxid miatt egészségkárosodást, akár halált is okozhat.
- A termék használatakor a motor elektromágneses mezőt hoz létre. Az elektromágneses mező károsíthatja az orvosi implantátumokat. A termék használata előtt kérje ki orvosa vagy orvosi implantátuma gyártójának tanácsát.
- A terméket gyermekek nem használhatják. Ne engedélyezze a termék használatát olyan személy számára, aki nem ismeri a használati utasítás tartalmát.
- Csökkent fizikai vagy szellemi képességekkel rendelkező személy csak felügyelet mellett használhatja a terméket. Egy felelős felnőttnek mindig jelen kell lennie.
- A terméket zárja el olyan helyre, ahol gyermek vagy jogosulatlan személy nem férhet hozzá.
- A termék tárgyakat repíthet szét, és ezzel sérülést okozhat. Tartsa be a biztonsági előírásokat, hogy csökkenthető legyen a súlyos, akár halálos sérülések kockázata.
- Ne hagyja magára a járó motorú terméket.

- Az esetleges balesetekért a termék kezelője a felelős.
- A termék használatának megkezdése előtt ellenőrizze az alkatrészek épségét.
- A termék használatának megkezdése előtt gondoskodjon arról, hogy minimum 15 m (50 láb) távolságra kerüljön más személyektől, illetve állatoktól. Tudassa a közelben levő személyekkel, hogy használni fogja a terméket.
- Tartsa be az állami vagy helyi törvényeket. Egyes feltételek mellett ezek tilthatják vagy korlátozhatják a termék használatát.
- Ne használja a terméket, ha fáradt, illetve alkohol, kábítószer vagy gyógyszer hatása alatt áll. Ezek befolyásolhatják a látását, éberségét, koordinációját vagy ítéletképességét.

Rezgéssel kapcsolatos biztonsági tudnivalók

Ez a termék csak alkalmanként használható. A termék folyamatos vagy rendszeres használata a rezgés miatt újfehérédest vagy hasonló tüneteket okozhat. Ha folyamatosan vagy rendszeresen használja a terméket, vizsgáltsa meg kezei és ujjai egészségi állapotát. Ha kézfeje vagy ujjai elszíneződtek, fájnak, bizseregnek vagy zsibbadnak, ne folytassa a munkát, és forduljon azonnal orvoshoz.

Biztonsági utasítások a lombfúvó használatához

- A készüléket csak arra használja, hogy elfújja vele a földről a leveleket és más szemetet, illetve eltávolítsa azokat.
- Ne használja a terméket, ha fáradt, beteg, illetve alkohol, drog vagy gyógyszer hatása alatt áll.
- Ne hagyja, hogy nézelődők vagy állatok tartózkodjanak a gépkezelő 15 méteres körzetén belül.
- A termék olyan nagy sebességgel dobálhat tárgyakat, hogy azok a kezelőre is visszapatlanhatnak, amivel szemsérülést is okozhatnak.
- A fúvócső végét soha ne irányítsa emberekre vagy állatokra.
- Ha hosszú haja van, úgy kösse fel, hogy az ne érjen le a válláig.
- Mielőtt tartozékokat vagy más elemeket szerelne fel vagy le, állítsa le a motort.
- Ne működtesse a terméket a védőeleme nélkül.
- Ne működtesse a terméket, ha a munkaterületen másvalaki is tartózkodik. Állítsa le a terméket, ha valaki belép a munkaterületre.
- Ne használja a terméket olyan térben, ahol nincs megfelelő légáramlás. A nem elegendő mértékű légáramlás fulladás vagy szén-monoxid miatt egészségkárosodást, akár halált is okozhat.
- A kipufogódob nagyon forró, amikor a gép működik, közvetlenül a leállítása után, valamint alapjárat

fordulatszámon járattva a motort. Legyen óvatos gyúlékony anyagok és gőzök közelében.

- Ne nyúljon a szívónyílásfedél közelébe. Az ékszereket és laza ruhaneműket tartsa távol a szívónyílás fedelének környékétől.
- Mindig gondoskodjon a megfelelő alapzatról, és csak biztonságos és vízszintes felületen állva használja a terméket. Sikos vagy instabil felületen, például létrán állva elvesztheti egyensúlyát vagy uralmát a termék felett.
- Ne használja a terméket magasban, például a tetőn.
- Szállításkor rögzítse a terméket.
- A terméket csak az ajánlott időszakban működtesse. Tartsa be a helyi előírásokat. Az általános ajánlások hétfőtől szombatiig a reggel 9 és du. 5 óra közötti időtartamot jelölik meg.
- A készüléket a munka elvégzését lehetővé tévő legalacsonyabb fordulatszámon üzemeltesse.
- Ügyeljen arra, hogy ne eshessen el a termék használatakor. Ne görnyedve, meghajolva használja a terméket.
- Üzemelés előtt ellenőrizze a termék, különösen a kipufogódob, a levegőbeömlő nyílás és a légszűrő állapotát.
- A termék használatának megkezdése előtt gereblyével vagy seprűvel lazítsa fel a földön lévő szemetet.
- Ha a munkaterület poros, locsolja fel.
- A víztakarékosság érdekében használjon locsolótömlő helyett más megoldásokat.
- A hulladékot biztonságosan fújja el. Vigyázzon a gyerekekre, állatokra, nyitott ablakokra és járművekre.
- Ne irányítsa a terméket könnyen sérülő növényekre.
- Ne fújassa a levegőt objektumok, például falak, nagyobb kövek, járművek és kerítések felé.
- Ha belső sarkokban dolgozik, a sarokból kifelé fújasson a munkaterület közepe felé, máskülönben a szemét felrepülhet az arcába, és megsérülhet a szemét.
- Használja az egész fúvócső-hosszabbítót, hogy a légáramlat a talaj közelében fejthesse ki hatását.
- Minden közelben tartózkodó személy viseljen védőszemüveget.
- A termék használatát követően a hulladékot helyezze hulladékgyűjtő edényekbe.

Biztonsági utasítások a szívóberendezésként történő használathoz

- Ügyeljen a ventilátor épségére. Ne szívjon fel nagyobb, szilárd tárgyakat, például fadarabot, konzervdobozt, gumi- vagy zsinórdarabkákat.
- Ügyeljen rá, hogy a szívócső ne ütődjön a talajnak.
- Állítsa le a motort és húzza le a gyertyapipát, mielőtt eltávolítja az akadályt képező vagy eltömődést okozó anyagot.

Személyi védőfelszerelés

- Amikor a terméket használja, viseljen mindig megfelelő személyi védőfelszerelést. A személyi védőfelszerelés nem szünteti meg a személyi sérülés kockázatát. A személyi védőfelszerelés egy esetleges baleset esetén mérsékli a sérülés mértékét.
- A termék használatakor viseljen jóváhagyott védőszemüveget.
- Ne mezítláb vagy nyitott cipőben működtesse a terméket. Mindig viseljen erős, csúszásmentes bakancsot.
- Viseljen vastag, hosszú szárú nadrágot.
- Szükség esetén használjon jóváhagyott védőkesztyűt.
- Vegyen fel védősisakot, ha fennáll az esélye, hogy valami a fejére eshet.
- A termék használatakor viseljen jóváhagyott fülvédőt. A zajnak való tartós kitettség halláskárosodást okozhat.
- Poros környezetben mindig viseljen jóváhagyott porvédő maszkot a termék használatakor.
- Legyen a közelben elsősegély-készlet.

Biztonsági eszközök a terméken

- Feltétlenül végezzen rendszeres karbantartást a terméken.
 - A termék élettartama így növelhető,
 - a balesetveszély pedig csökken.

Vizsgáltsa át rendszeresen a terméket márkakereskedésben vagy szakszervizben, ahol elvégzik a szükséges beállításokat, javításokat.

- Ne használja a terméket sérült biztonsági eszközökkel. Ha a termék megsérült, forduljon vele hivatalos szakszervizhez.

Leállítókapcsoló

Indítsa be a motort. Győződjön meg arról, hogy a motor leáll, amikor a leállítókapcsolót STOP helyzetbe állítja.

Kipufogódob



FIGYELMEZTETÉS: Ne nyúljon a forró kipufogódobhoz! A kipufogódob nagyon forró, amikor a motor jár, valamint közvetlenül a leállítása után. A kipufogódob megérintése égési sérüléseket okozhat.

- Ne indítsa be a motort, ha a kipufogódob megsérült. A hibás kipufogódob növeli a zajszintet és a tűzveszélyt. Legyen a közelben tűzoltó készülék.
- Ellenőrizze rendszeresen a kipufogódob rögzítettségét.
- Ne érjen a motorhoz vagy a kipufogódobhoz, ha jár a motor. Ne érjen a motorhoz vagy a kipufogódobhoz még egy darabig, miután leállította a motort. A forró felületek sérülést okozhatnak.

- A forró kipufogódob tüzet okozhat. Legyen óvatos, ha a terméket gyúlékony folyadékok vagy gőzök közelében használja.
- Ne érjen a kipufogódob alkatrészeihez, ha a kipufogódob megsérült. Az alkatrészek rákkeltő vegyi anyagokat tartalmazhatnak.
- Egyes lombfúvók szikrafogó hálóval is rendelkeznek. Ezt a hálót meghatározott időközönként meg kell tisztítani vagy ki kell cserélni. Lásd a Karbantartás című fejezetet (*KARBANTARTÁS142. oldal*).

Üzemanyaggal kapcsolatos biztonság

- Ne indítsa be a terméket, ha üzemanyag vagy motorolaj került rá. Távolítsa el a nem kívánt üzemanyagot/motorolajat és hagyja megszáradni a terméket. Távolítsa el a nem kívánt üzemanyagot a termékről.
- Ha a kiömlött üzemanyag a ruhájára csöppent, öltözzön át azonnal.
- Ügyeljen arra, hogy ne kerüljön üzemanyag a testére, mert az sérülést okozhat. Ha üzemanyag került a testére, távolítsa el szappannal és vízzel.
- Ne indítsa be a motort, ha olaj vagy üzemanyag került a termékre vagy Önre.
- Ne indítsa be a motort, ha szivárog a motor. Vizsgálja meg rendszeresen a motort szivárgás szempontjából.
- Bánjon óvatosan az üzemanyaggal. Az üzemanyag gyúlékony, a gőzei robbanásveszélyesek, ezért súlyos, akár végzetes sérülést is okozhat.
- Ne lélegezze be az üzemanyag gőzeit, egészségkárosodást okozhatnak. Gondoskodjon megfelelő légáramlásról.
- Az üzemanyag vagy a motor közelében ne dohányozzon.
- Az üzemanyag vagy a motor közelébe ne tegyen forró tárgyakat.
- Ne tankoljon járó motornál.
- Várja meg a tankolással, amíg lehül a motor.
- Tankolás előtt nyissa meg lassan a tanksapkát, engedje ki óvatosan a nyomást.
- Ne beltérben tankoljon. A nem elegendő mértékű légáramlás fulladás vagy szén-monoxid miatt egészségkárosodást, akár halált is okozhat.
- Körültekintően húzza meg a tanksapkát, különben tűz keletkezhet.
- Vigye legalább 3 m (10 láb) távolságra a terméket a tankolás helyétől, mielőtt beindítaná.
- Ne töltsé túl üzemanyaggal a terméket.
- Ügyeljen arra, hogy ne forduljon elő szivárgás, amikor a terméket vagy az üzemanyagtartályt mozgatja.
- Ne vigye olyan helyre a terméket vagy az üzemanyagtartályt, ahol nyílt láng, szikra vagy őr láng található. Győződjön meg arról, hogy a tárolás helyén nem található nyílt láng.

- Csak jóváhagyott tartályt használjon az üzemanyag szállítására vagy tárolására.
- Hosszú távú tárolás előtt ürítse ki az üzemanyagot a termékből. A lefejtett üzemanyag elhelyezésekor járjon el a hatályos helyi előírások szerint.
- Hosszú távú tárolás előtt tisztítsa meg a terméket.
- Húzza le a gyertyapipát, mielőtt a terméket elteszi, hogy a motor ne indulhasson be véletlenül.

A tulajdonos felelős a használati utasításban meghatározott valamennyi szükséges karbantartás elvégzéséért. Karbantartási munkák végzése előtt húzza le a gyertyapipát. Ne húzza le a gyertyapipát a karburátor beállítása előtt.

Biztonsági utasítások a karbantartáshoz



FIGYELMEZTETÉS: A helytelen karbantartás a motor súlyos károsodását vagy súlyos személyi sérülést okozhat.

ÖSSZESZERELÉS



FIGYELMEZTETÉS: Olvassa el a biztonságról szóló fejezetet, mielőtt összeszerelné a terméket.

A felső fűvócső felszerelése

1. Igazítsa a felső fűvócsövön (A) lévő nyílást a fűvókimeneten (B) található fülhöz. (ábra 23)
2. Nyomja rá teljesen a felső fűvócsövet a fűvókimenetre.
3. Fordítsa el a felső fűvócsövet, amíg a csőben lévő nyílás egy vonalba nem kerül a fűvókimeneten lévő csavar meneteivel. (ábra 24)
4. Helyezze be a csavart (C). (ábra 25)
5. A cső rögzítéséhez forgassa a csavart az óramutató járásával megegyező irányba egy csavarhúzó segítségével.

Az alsó fűvócső felszerelése

1. Igazítsa az alsó fűvócsövön (A) lévő nyílásokat a felső fűvócsövön (B) lévő fülekhez. (ábra 26)
2. Nyomja rá teljesen az alsó fűvócsövet a felső fűvócsőre.
3. Fordítsa el teljesen az alsó fűvócsövet, amíg a fül nem reteszeli a nyílás a végénél. (ábra 27)

A VX™ fűvócső felszerelése

1. Igazítsa a VX™ fűvócsövön (A) lévő nyílásokat a felső fűvócsövön (B) lévő fülekhez. (ábra 28)
2. Nyomja rá teljesen a VX™ fűvócsövet a felső fűvócsőre.
3. Fordítsa el teljesen a VX™ fűvócsövet, amíg a fül nem reteszeli a nyílás a végénél. (ábra 29)

A felső szívócső felszerelése

1. Dugja be egy csavarhúzó hegyét a szívónyíláson található reteszelő részbe. (ábra 30)

2. A retesz kioldásához a csavarhúzó nyelét finoman billentse a termék eleje felé.
3. A szívónyílás fedelét nyitva tartva csatlakoztassa a felső szívócsövet. (ábra 31)
4. Igazítsa a szívónyílás belsejében lévő bordát a felső szívócső nyílásaira.

Megjegyzés: Igazítsa a jelzéseket a szívónyílás bemenetéhez és a felső szívócsőhöz.

5. Nyomja be teljesen a felső szívócsövet a szívónyílásba.
6. Fordítsa el teljesen a felső szívócsövet az óramutató járásával egyező irányba, amíg egy kattantást nem érez. (ábra 32)

Az alsó szívócső felszerelése

1. Igazítsa az alsó szívócsövön lévő nyílást a felső szívócsövön található fülhöz.
2. Nyomja rá teljesen az alsó szívócsövet a felső szívócsőre, amíg a fül nem reteszeli a nyílás a végénél. (ábra 33)
3. Helyezze be a csavart.
4. A cső rögzítéséhez forgassa a csavart az óramutató járásával megegyező irányba egy csavarhúzó segítségével. (ábra 34)

A gyújtózsák csövének felszerelése

1. Igazítsa a gyújtózsák csövének (A) lévő nyílást a fűvókimeneten (B) található fülhöz. (ábra 35)
2. Nyomja rá teljesen a gyújtózsák csövet a fűvókimenetre.
3. Fordítsa el a gyújtózsák csövet, amíg a csőben lévő nyílás egy vonalba nem kerül a fűvókimeneten lévő csavar meneteivel. (ábra 36)
4. Helyezze be a csavart (C).

5. A cső rögzítéséhez forgassa a csavart az óramutató járásával megegyező irányba egy csavarhúzó segítségével. (ábra 37)

HASZNÁLAT



FIGYELMEZTETÉS: Olvassa el és értelmezze a biztonságról szóló fejezetet, mielőtt használni kezdené a terméket.

Üzemanyag

Az üzemanyag használata



VIGYÁZAT: A termékben kétütemű motor működik. Használjon üzemanyagként benzint és kétütemű motorolaj keverékét. Ügyeljen a megfelelő keverési arányra. A benzint és az olaj nem megfelelő aránya károsíthatja a motort.

Benzin



VIGYÁZAT: Ne használjon 90 RON (87 AKI) oktánszámúnál gyengébb benzint. Ezzel kárt tehet a termékben.



VIGYÁZAT: Ne használjon olyan benzint, ami több mint 10% etanolt tartalmaz (E10). Ezzel kárt tehet a termékben.

- Használjon friss, minimum 90 RON (87 AKI) oktánszámú és 10%-nál kevesebb etanolt (E10) tartalmazó, ólmozatlan benzint.
- Használjon magasabb oktánszámú benzint, ha gyakran használja a terméket folyamatosan magas fordulatszámon.

Kétütemű motorolaj

- Csak kiváló minőségű kétütemű motorolajat használjon. Csak léghűtéses motorba való motorolajat használjon.
- Ne használjon másféle olajat.
- A keverési arány 50:1-hez (2%).

Benzin	Olaj
1 amerikai gallon	77 ml (2,6 oz)
1 angol gallon	95 ml (3,2 oz)
5 l	100 ml (3,4 oz)

Keverék üzemanyag előállítása

Megjegyzés: A benzint és az olajat mindig tiszta tartályban keverje.

Megjegyzés: Egyszerre ne keverjen be több üzemanyagot, mint amit 30 nap alatt elhasznál.

1. Töltse be a benzin fele mennyiségét.
2. Töltse be a teljes olajmennyiséget.
3. Rázza össze az üzemanyag-keveréket, hogy az alkotóelemek összekeveredjenek.
4. Töltse be a maradék benzint.
5. Rázza össze az üzemanyag-keveréket, hogy az alkotóelemek összekeveredjenek.
6. Töltse fel az üzemanyagtartályt.

Tankolás

- Mindig túlcserélés-védelemmel ellátott üzemanyagtartályt használjon.
- Ha maradt a tartályban, távolítsa el a nem kívánt üzemanyagot és szárítsa ki a tartályt.
- A tanksapka körüli területet tisztítsa le.
- Rázza össze maga előtt az üzemanyagtartályt, és tankolja meg a gépet az üzemanyag-keverékkel.

Indítás és leállítás

A motor beindítása előtt

- Vizsgálja át a terméket hiányzó, sérült, meglazult vagy elhasználdott alkatrészek tekintetében.
- Vizsgálja át a gyújtózsákot. Ellenőrizze a gyújtózsák épségét, és hogy zárva van-e a cipzára.
- Ellenőrizze az anyákat és csavarokat.
- Ellenőrizze a levegőszűrőt.
- Ellenőrizze a gázadagoló megfelelő működését.
- Ellenőrizze a leállító kapcsoló megfelelő működését.
- Ellenőrizze a terméket, nem szívárog-e belőle az üzemanyag.

Hideg motor indítása



FIGYELMEZTETÉS: Ne tekerje az indítózsínort a karja köré.



VIGYÁZAT: Ne a lábával tartsa a terméket.



VIGYÁZAT: Az indítózsínort ne húzza ki végállásba. Az indítózsínór kihúzását követően ne engedje el a zsínór fogantyúját. Ezzel kárt tehet a termékben.

Megjegyzés: Ha a motor nem indul be, a hidegindító kart állítsa zárt helyzetbe, és végezze el újra az indítás lépéseit.

1. Töltse fel az üzemanyagtartályt tiszta üzemanyagkeverékkel.
2. Nyomja a géptestet bal kézzel a talajnak. Ügyeljen arra, hogy a fűvócsó végét ne emberek, állatok, üveg és szilárd tárgyak felé irányítsa.
3. Lassan nyomja meg az üzemanyagpumpát 10-szer.
4. A szivatókart tolja TELJES SZÍVATÓ állásba.
5. A gázkart nyomja be és tartsa úgy.
6. Rántsa meg gyorsan a berántókötél fogantyúját, amíg a motor meg nem próbál beindulni, de legfeljebb 3-szor.

Megjegyzés: Ha a hőmérséklet alacsonyabb, mint 4 °C (40 °F), addig folytassa a berántókötél fogantyújának rántását, amíg a motor meg nem próbál beindulni.

7. A szivatókart fordítsa el FÉL SZÍVATÓ állásba.
8. Rántsa meg gyorsan a berántókötél fogantyúját, míg a motor járni nem kezd.
9. Hagyja a motort járni 10 másodpercig.
10. A szivatókart tolja a NINCS SZÍVATÓ állásba.

Meleg motor indítása

1. Lassan nyomja meg az üzemanyagpumpát 10-szer.
2. A szivatókart fordítsa el FÉL SZÍVATÓ állásba.
3. Rántsa meg gyorsan a berántókötél fogantyúját, míg a motor járni nem kezd.
4. A szivatókart tolja a NINCS SZÍVATÓ állásba.

Gőzzárás motor elindítása

Gőzzár akkor keletkezik, amikor az üzemanyagvezetékben vagy a karburátorban lévő üzemanyag a megnövekedett hő hatására párologni kezd.

Ha a termék 35 °C-nál (95 °F) magasabb környezeti hőmérséklet esetén nem indítható újra, és 15-45 percre le van állítva, akkor előfordulhat, hogy a termékben gőzzár keletkezett.

1. Nyomja le az üzemanyagpumpát többször egymás után 10-15 másodpercen át.
2. A szivatókart fordítsa el FÉL SZÍVATÓ állásba.
3. Rántsa meg gyorsan a berántókötél fogantyúját, míg a motor járni nem kezd.
4. Járassa a motort alapjáratú fordulatszám 3 percig, míg be nem melegszik.
5. A szivatókart tolja a NINCS SZÍVATÓ állásba.

A motor leállítása

- Nyomja meg és engedje fel a motor STOP (Leállító) kapcsolóját. A kapcsoló automatikusan visszaáll ON (Be) pozícióba. Várjon 7 másodpercet, mielőtt

megpróbálja újraindítani a terméket, hogy a kapcsoló biztosan visszaálljon.

A VX™ fűvócsó beállítása

1. Igazítsa a külső VX fűvócsó megfelelő nyílását (A vagy B) a™ a belső csövön található fűlhöz (C). (ábra 38)

Megjegyzés: Ha a csövek már össze vannak szerelve, a fül nem látható. A külső cső mozgatása közben rá kell éreznie a fül pozíciójára.

Megjegyzés: Nagyobb fűvónyílás eléréséhez állítsa a fület az „A” állásba. A nagyobb fűvónyílás segítségével nagyobb területen takaríthatja el a száraz leveleket és az egyéb nemkívánatos anyagokat. Kisebb fűvónyílás eléréséhez állítsa a fület a „B” állásba. A kisebb fűvónyílás gyorsabb légáramlást eredményez, amely a repedések és a peremek tisztításához, valamint nehezebb anyagok, például nedves levelek eltakarításához alkalmas.

2. A fül kioldásához fordítsa el a külső csövet az ábrán látható módon. (ábra 39)
3. A pozíció módosításához mozgassa a külső csövet a belső cső mentén. (ábra 40)
4. Fordítsa el a külső csövet az ábrán látható módon, míg a fül teljesen a megfelelő nyílásba nem rezeselődik. (ábra 41)

Működési pozíció

- Lombfúvó (ábra 42)
- Szívókészülék (ábra 43)

Szívás

A szívás megkezdése előtt tegye fel az előírt biztonsági felszerelést.



FIGYELMEZTETÉS: Ellenőrizze a gyűjtőzsák épségét, és hogy zárva van-e a cipzára. Sérült gyűjtőzsákot ne használjon. Ezzel megakadályozhatók a repülő törmelék által okozott sérülések. A bal kézzel történő működtetés növeli a kockázatot. Ügyeljen rá, hogy ne érjen a kilépő nyílás környékéhez.



FIGYELMEZTETÉS: Ne indítsa be az avarporszívót, ha a nyílásfedél nyitva van vagy ha meg van sérülve (kivéve, ha szívócső került felszerelésre).

- A lombfúvó üzemeltetésekor a gyűjtőzsákot a hevederrel kell tartani. A hevedernek a vállán kell lennie.
- Indítsa be a berendezést. Tartsa be az indítást és a leállítást ismertető fejezetben olvasható utasításokat *Indítás és leállítás 140. oldalon*. Olvassa el a biztonsági utasításokat *BIZTONSÁG 136. oldalon*.

A gyűjtőzsák ürtése



FIGYELMEZTETÉS: Vizsgálja át mindig a gyűjtőzsákat. Ellenőrizze használat előtt az épségét, és hogy zárva van-e a cipzára. Ne használjon sérült gyűjtőzsákat. Sérülésveszély áll fenn, ha a törmelék a levegőbe kerül. Legyen óvatos, ha bal

kézzel működteti a készüléket. Ne nyúljon a kilépő nyílás környékéhez.

1. Állítsa le a terméket.
2. Nyissa ki oldalt a zsák cipzárját.
3. Ürtse ki a gyűjtőzsákat.
4. Húzza vissza a cipzárát.

KARBANTARTÁS



FIGYELMEZTETÉS: A termék javítása vagy karbantartása előtt olvassa el és értelmezze a biztonsággal foglalkozó fejezetet.

- Tisztítsa meg a karburátor környékét.
- Légszűrő tisztítása.

Havi karbantartás

- Ellenőrizze az indítózsínort és a fogantyúját.
- Tisztítsa meg az üzemanyagtartályt.
- Tisztítsa meg a karburátort és annak környezetét.
- Tisztítsa meg a járókerék késeit.
- Ellenőrizze az üzemanyag-csővezetéseket repedések és bármely egyéb sérülés szempontjából. Cserélje ki, ha szükséges
- Tisztítsa meg az üzemanyagtartályban lévő üzemanyagszűrőt.
- Ellenőrizze az összes kábelt és csatlakozót.
- Cserélje le a gyújtógyertyát.
- Cserélje ki a légszűrőt.

Éves karbantartás

- Ellenőrizze a gyújtógyertyát.
- Tisztítsa meg a karburátor külső felületét és a környezetét.
- Tisztítsa ki a hűtőrendszert.
- Ellenőrizze a szikrafogó hálót.
- Ellenőrizze az üzemanyagszűrőt.
- Ellenőrizze az üzemanyag-vezeték épségét.
- Ellenőrizze az összes kábelt és csatlakozót.

50 üzemórás karbantartás

- Javíttassa meg vagy cseréltesse ki hivatalos szakszervizben a kipufogódobot.

Az alapjáratú fordulatszám beállítása

Az alapjáratú fordulatszám beállítása előtt gondoskodjon arról, hogy tiszta legyen a levegőszűrő és fel legyen szerelve a légszűrő fedél.

Állítsa be az alapjáratú fordulatszámot az alapjárat-beállító csavarral. (ábra 44)

Az alapjáratú fordulatszám akkor van helyesen beállítva, ha a motor minden helyzetben egyenletesen jár.

1. Forgassa az óramutató járásával egyező irányba az alapjáratú fordulatszám beállító csavart a magasabb fordulatszámhoz.

Karbantartási ütemterv

Feltétlenül tartsa be a karbantartási ütemtervet. Az intervallumok meghatározásakor a termék napi használatát feltételeztük. Ha nem használja a terméket naponta, az intervallumok eltérőek. Csak azt a karbantartási munkát végezze el, amire a kézikönyvben utasítást talál. A kézikönyvben nem található egyéb karbantartási munkákkal keresse fel a hivatalos szakszervizt.

Napi karbantartás

- Tisztítsa meg a külső felületeket.
- Vizsgálja meg a fordulatszám-szabályzó és a gázadagoló működését. Cserélje a sérült alkatrészeket.
- Ellenőrizze a leállítókapcsolót. Ha szükséges, cserélje ki.
- Ellenőrizze az alapjáratú fordulatszámot.
- Légszűrő tisztítása. Ha szükséges, cserélje ki.
- Ügyeljen rá, hogy a nyílásfedél szorosan lezárható legyen. Gondoskodjon a járókerék tisztaságáról.
- Húzza meg a csavarokat és az anyákat.
- A készülékházon ellenőrizze, hogy nincs-e rajta repedés.
- Ellenőrizze a gyűjtőzsák épségét, és hogy működik-e a cipzára. Szükség esetén cserélje ki a gyűjtőzsákat.

Heti karbantartás

- Ellenőrizze az indítószerkezet állapotát, az indítózsínort és a visszahúzó rugót. Cserélje ki a meghibásodott alkatrészeket.
- Ellenőrizze az indítószerkezeten a levegőbemenet állapotát. Távolítsa el a törmeléket, ha a levegőbeömlő nyílás eltömődött.
- Tisztítsa meg a gyújtógyertya külsejét. Szerelje ki a gyertyát és ellenőrizze a szikraközt. A hézagot állítsa be 6 mm értékre, vagy cserélje ki a gyújtógyertyát.
- Tisztítsa meg a járókerék késeit.
- Tisztítsa meg, szükség esetén cserélje ki a kipufogódob szikrafogó hálóját (katalizátoros kipufogódobokon ne).

2. Forgassa az óramutató járásával ellenkező irányba az alapjáratú fordulatszám beállító csavart az alacsonyabb fordulatszámhoz.

A szikrafogó háló karbantartása

A szikrafogó háló tisztítását végezze drótkéfével.

A hűtőrendszer kitisztítása.

Tisztítsa meg a hűtőrendszer alkatrészeit ecsettel.

A gyújtógyertya ellenőrzése.



VIGYÁZAT: Használja mindig az előírt típusú gyújtógyertyát. A nem megfelelő gyújtógyertya károsíthatja a terméket.

- Vizsgálja meg a gyújtógyertyát, ha gyenge a motor, nehezen indul, vagy egyenetlen az alapjárata.
- A gyújtógyertya elektródái közötti lerakódások kialakulásának csökkentése érdekében tartsa be az alábbi utasításokat:
 - a) gondoskodjon az alapjáratú fordulatszám megfelelő beállításáról;

- b) gondoskodjon a megfelelő üzemanyag-keverékről;
- c) gondoskodjon a levegőszűrő tisztaságáról.

- Ha a gyújtógyertya piszkos, tisztítsa meg, és ellenőrizze, hogy a szikraköz megfelelő-e. Lásd: *MŰSZAKI ADATOK143. oldalon.* (ábra 45)
- Szükség esetén cserélje ki a gyújtógyertyát.

A levegőszűrő karbantartása

A levegőszűrő megtisztítása

1. Távolítsa el a levegőszűrő fedelét és a levegőszűrőt.
2. Meleg szappanos víz segítségével tisztítsa meg a levegőszűrőt. A levegőszűrőt teljesen szárazon szerelje csak vissza.
3. Cserélje ki a levegőszűrőt, ha túlságosan elszennyeződött a kitisztításához. Mindig cserélje ki a sérült levegőszűrőt.
4. Ha a termék levegőszűrője szivacs, tegyen rá légszűrőolajat. Csak szivacs levegőszűrőre tegyen légszűrőolajat. Filc szűrőre ne tegyen olajat.

MŰSZAKI ADATOK

	mérté- kegy- ség	GBV 322 (GHB28VPR)	GBV 322VX (GHB28VPR)
A motor adatai			
Hengerűrtartalom	cm ³	26	26
Elektródahézag	mm	0,6	0,6
Üzemanyagtartály űrtartalma	cm ³	500	500
Alapjáratú fordulatszám	min ⁻¹	2800–3200	2800–3200
Maximális teljesítményhez tartozó fordulatszám	min ⁻¹	8000	8000
Teljesítmény	kW	0,8	0,8
Gyújtógyertya		Champion RCJ-6Y	Champion RCJ-6Y
Maximális fordulatszám fűvő üzemmódban	min ⁻¹	8600	8600
Maximális fordulatszám szívó üzemmódban	min ⁻¹	--	7500
Kibocsátástartóssági időtartam	óra	50	50
Zaj és vibráció adatok			
Egyenértékű rezgésszint a fogantyúknál, felszerelt (eredeti) fűvőcsövekkel és fűvókával – lásd az 1. megjegyzést	m/s ²	7,5	7,5
Egyenértékű rezgésszint a fogantyúknál, felszerelt (eredeti) szívócsövekkel, bal/jobbs - lásd az 1. megjegyzést	m/s ²	7,4	7,4

	mérté- kegy- ség	GBV 322 (GHB28VPR)	GBV 322VX (GHB28VPR)
A kezelő hallószervére gyakorolt, ISO 22868 szerint mért hangnyomásszint, felszerelt (eredeti) fűvócsövekkel és fűvókával – lásd a 3. megjegyzést	dB(A)	95,6	95,6
Hangteljesítményszint, garantált (L _{WA}) - lásd a 2. megjegyzést	dB(A)	112	112
Hangteljesítményszint, mért - lásd a 2. megjegyzést	dB(A)	109	109
Termék méretei			
Tömeg	kg	4,4	4,5
<p>1. megjegyzés: Az ekvivalens rezgésszintre vonatkozó jelentési adatok az 1,5 m/s² tipikus statisztikus ingadozásával (szórásával) rendelkeznek.</p> <p>2. megjegyzés: A környezetben a 2000/14/EK sz. EK irányelvvel összhangban hangteljesítményként mért zajkibocsátás (L_{WA}). A gép jelentésben szereplő hangteljesítményszintjét a legmagasabb szintet produkáló eredeti felszereléssel mérték. A garantált és a mért hangteljesítmény közötti különbségnek az az oka, hogy a garantált hangteljesítmény tartalmazza a mérési eredményben lévő ingadozást és az azonos modellű gépek közti eltéréseket is a 2000/14/EK jelű irányelv értelmében.</p> <p>3. megjegyzés: A gép ekvivalens hangnyomásszintjére vonatkozó jelentési adatok az 3 dB (A) tipikus statisztikus ingadozásával (szórásával) rendelkeznek.</p>			

Ventilátor	mértéke- gység	GBV 322	GBV 322VX
Típus		Radiális ventilátor	Radiális ventilátor
Max. levegősebesség, normál fűvóka	km/h	322	-
Max. légsebesség, VX™ fűvócső*	km/h	-	370
Levegőmennyiség fűvás üzemmódban	cfm	370	450
Levegőmennyiség szívás üzemmódban	cfm	490	490
Mulcsarány		10:1	16:1
*opcionális kiegészítő			

AZ EK-MEGFELELŐSÉGI NYILATKOZAT TARTALMA

A Husqvarna AB, SE 561 82 Huskvarna, SVÉDORSZÁG a saját felelősségére kijelenti, hogy a jelzett termék:

Leírás	Benzinmotoros fűvó- készülék/avarporszívó
Márka	McCulloch
Platform / Típus / Modell	A GBV 322 és GBV 322VX típusúhoz tartozó GHB28VPR munkaállvány

Leírás	Benzinmotoros fűvó- készülék/avarporszívó
Sarzs	2018-es és újabb sorozatszámok

teljes mértékben megfelel a következő EU-irányelveknek és rendeleteknek:

Irányelv/rendelet	Leírás
2006/42/EK	„gépre vonatkozó”

Irányelv/rendelet	Leírás
2014/30/EU	„elektromágneses megfelelésre vonatkozó”
2000/14/EK	„kültéri zajkibocsátásra vonatkozó”

Az alábbi harmonizált szabványok és/vagy műszaki előírások kerültek alkalmazásra: EN ISO 12100, EN 15503, CISPR 12, ISO 14982

A zajértékek a 2000/14/EK irányelv V. mellékletének megfelelően a használati utasításban, a műszaki adatok fejezetben, valamint az aláírt EK-megfeleléségi nyilatkozatban található.

A TÜV Rheinland N.A. önkéntes vizsgálatot végzett a Husqvarna AB számára, és az alábbi megfeleléségi nyilatkozatot bocsátotta ki az Európai Tanács gépekre vonatkozó, 2006/42/EK irányelvére vonatkozóan.

Az aláírt EK-megfeleléségi nyilatkozatban található tanúsítvány a terméken jelzettek szerint minden gyártási helyre és országra érvényes.

A szállított benzinmotoros fűvókészülék/avarporszívó megfelel a vizsgálaton átesett példadarabnak.

Sommario

INTRODUZIONE.....	146	MANUTENZIONE.....	153
SICUREZZA.....	147	DATI TECNICI.....	155
MONTAGGIO.....	150	CONTENUTO DELLA DICHIARAZIONE DI	
FUNZIONAMENTO.....	151	CONFORMITÀ CE.....	156

INTRODUZIONE

Manuale operatore

La lingua iniziale del presente manuale operatore è l'inglese. I manuali operatore in altre lingue sono traduzioni dall'inglese.

Panoramica

(Fig. 1)

1. Tracolla
2. Grilletto acceleratore
3. Interruttore di arresto
4. Regolatore di velocità
5. Carter ventola
6. Tappo del serbatoio del carburante
7. Filtro dell'aria
8. Comando della valvola dell'aria
9. Bulbo di adescamento
10. Copertura della presa d'aria
11. Maniglia aspiratore
12. Lama per mulching (GBV 322VX)
13. Girante ventola
14. Tubo soffiatore inferiore (GBV 322)
15. Tubo soffiatore™ VX (GBV 322)
16. Tubo soffiatore superiore
17. Bullone
18. Marmitta
19. Filo di terra
20. Impugnatura del cavo di avviamento
21. Dispositivo di avviamento
22. Impugnatura
23. Strumento combinato
24. Tubo del sacco di raccolta
25. Sacco di raccolta
26. Tubo di aspirazione in due sezioni
27. Vite
28. Manuale operatore

Simboli riportati sul prodotto

- (Fig. 2) Avvertenza
- (Fig. 3) Leggere il presente manuale
- (Fig. 4) Utilizzare protezioni per la testa omologate

- (Fig. 5) Utilizzare cuffie protettive omologate
- (Fig. 6) Utilizzare una protezione per gli occhi omologata (ANSI Z87.1 o equivalente)
- (Fig. 7) Utilizzare stivali protettivi e guanti protettivi omologati
- (Fig. 8) Indossare pantaloni e maniche lunghe
- (Fig. 9) Non indossare gioielli quando si utilizza il prodotto.
- (Fig. 10) Utilizzare la punta del cacciavite per sganciare il fermo.
- (Fig. 11) Non aspirare pietre, ghiaia, metalli, vetri rotti, paccame di gomma o altri materiali che possano danneggiare la girante.
- (Fig. 12) Il prodotto può causare l'espulsione di oggetti, che può risultare pericolosa per gli occhi
- (Fig. 13) Non avvicinarsi alla girante mentre è in funzione
- (Fig. 14) Comando dell'aria completamente aperto
- (Fig. 15) Comando dell'aria aperto a metà
- (Fig. 16) Disattivazione del comando dell'aria
- (Fig. 17) Raccogliere i capelli lunghi sopra alle spalle.
- (Fig. 18) Distanza di sicurezza
- (Fig. 19) Livello di potenza acustica garantito
- (Fig. 20) Il prodotto è conforme alle direttive CE vigenti.
- (Fig. 21) Il prodotto è conforme alle direttive EAC vigenti.

Il prodotto è conforme alle direttive vigenti in (Fig. 22) Ucraina.

Nota: I restanti simboli/decalcomanie sul prodotto riguardano particolari requisiti necessari per ottenere la certificazione in altre aree commerciali.

UE V



AVVERTENZA: La manomissione del motore rende nulla l'omologazione UE del prodotto.

Responsabilità del prodotto

Come indicato nelle leggi vigenti in materia di responsabilità obbligatoria sul prodotto, non siamo

responsabili per eventuali danni causati dal nostro prodotto se:

- Il prodotto viene riparato in modo errato.
- Il prodotto viene riparato con parti che non provengono o non sono omologate dal produttore.
- Il prodotto contiene un accessorio che non proviene o non è omologato dal produttore.
- Il prodotto non viene riparato presso un centro di assistenza autorizzato o presso un'autorità competente.

SICUREZZA

Definizioni di sicurezza

Le definizioni riportate di seguito forniscono il livello di gravità per ciascuna delle parole di avvertenza.



AVVERTENZA: Lesioni alle persone.



ATTENZIONE: Danni al prodotto.

Nota: Queste informazioni rendono più semplice l'uso del prodotto.

Istruzioni di sicurezza generali

- Utilizzare il prodotto in modo corretto. Un uso improprio può causare lesioni o la morte. Utilizzare il prodotto solo per le attività riportate nel presente manuale. Non utilizzare il prodotto per altre attività.
- Attenersi alle istruzioni contenute nel presente manuale. Rispettare i simboli di sicurezza e le istruzioni di sicurezza. In caso di mancata osservanza delle istruzioni e dei relativi simboli, si potrebbero causare lesioni personali, danni o la morte.
- Non gettare il presente manuale. Utilizzare le istruzioni per assemblare, azionare e mantenere il prodotto in buone condizioni. Utilizzare le istruzioni per installare correttamente attrezzature e accessori. Utilizzare esclusivamente attrezzature e accessori omologati.
- Non utilizzare un prodotto danneggiato. Attenersi al programma di manutenzione. Eseguire solo gli interventi di manutenzione riportati nelle istruzioni di questo manuale. Tutti gli altri interventi di

manutenzione devono essere effettuati da un centro di assistenza autorizzato.

- Il presente manuale non include tutte le situazioni che possono verificarsi quando si utilizza il prodotto. Prestare la massima attenzione e usare il buon senso. Non utilizzare il prodotto o eseguire interventi di manutenzione sul prodotto se non si è sicuri. Per ulteriori informazioni parlare con un esperto del prodotto, il vostro rivenditore, l'officina o il centro di assistenza autorizzato.
- Scollegare il cavo della candela prima di assemblare il prodotto, conservarlo in magazzino o eseguire la manutenzione.
- Non utilizzare il prodotto se è stato modificato in qualche modo rispetto alle caratteristiche iniziali. Non sostituire una parte del prodotto senza previa approvazione del produttore. Utilizzare esclusivamente parti approvate dal produttore. Una manutenzione impropria può causare lesioni o la morte.
- Non respirare i fumi provenienti dal motore. L'inalazione prolungata dei fumi di scarico del motore è dannosa per la salute.
- Non avviare il prodotto in ambienti chiusi o vicino a materiale infiammabile. I fumi di scarico sono molto caldi e possono contenere scintille in grado di provocare incendi. Un flusso d'aria insufficiente può causare lesioni o la morte dovute ad asfissia o al monossido di carbonio.
- Quando si utilizza questo prodotto il motore genera un campo elettromagnetico. Il campo elettromagnetico può danneggiare gli impianti medici. Rivolgersi al medico e al produttore degli impianti medici prima di utilizzare il prodotto.
- Non consentire ai bambini di utilizzare il prodotto. Non permettere a nessuno che non conosca le istruzioni di utilizzare il prodotto.
- Assistere sempre una persona, con capacità fisica o mentale ridotta, quando utilizza il prodotto. È

necessaria sempre la supervisione di un adulto responsabile.

- Conservare il prodotto in un'area a cui bambini o persone non autorizzate non possano accedere.
- Il prodotto può espellere oggetti e causare lesioni. Attenersi alle istruzioni di sicurezza per ridurre il rischio di lesioni o morte.
- Non allontanarsi dal prodotto con il motore in funzione.
- L'operatore del prodotto è responsabile in caso di incidente.
- Verificare che i componenti non siano danneggiati prima di utilizzare il prodotto.
- Tenersi a una distanza di almeno 15 m (50 piedi) da persone o animali prima di utilizzare il prodotto. Verificare che le persone circostanti siano a conoscenza del fatto che il prodotto verrà azionato.
- Fare riferimento alle normative nazionali o locali, in quanto possono impedire o limitare il funzionamento del prodotto in determinate condizioni.
- Non utilizzare il prodotto quando si è stanchi, o sotto effetto di alcool, farmaci o medicinali. Essi possono avere effetti negativi sulla concentrazione, la vista, la capacità di valutazione o di coordinazione.

Sicurezza delle vibrazioni

Questo prodotto può essere utilizzato solo occasionalmente. L'utilizzo continuo o regolare del prodotto può causare la "sindrome del dito bianco" o problemi medici equivalenti causati dalle vibrazioni. In caso di utilizzo continuo o regolare del prodotto, esaminare la condizione delle mani e delle dita. Se le mani o le dita appaiono bianche, doloranti, formicolanti o intorpidite, interrompere il lavoro e rivolgersi immediatamente a un medico.

Istruzioni di sicurezza per l'utilizzo del soffiatore

- Utilizzare il prodotto solo per soffiare o rimuovere foglie e detriti dal terreno.
- Non utilizzare il prodotto quando si è stanchi, ammalati o sotto gli effetti di alcool, farmaci o medicinali.
- Non lasciare che persone o animali sostino a meno di 15 m (50 piedi) dall'operatore.
- Il prodotto può espellere oggetti ad alta velocità che possono rimbalzare e colpire l'operatore. Ciò può causare danni agli occhi.
- Non indirizzare l'ugello del soffiatore verso persone o animali.
- Raccogliere i capelli lunghi al di sopra delle proprie spalle.
- Spegnerne il motore prima di montare o smontare gli accessori o altri componenti.
- Non utilizzare il prodotto senza la protezione.
- Non utilizzare il prodotto in presenza di persone nell'area di lavoro. Arrestare il prodotto nel caso in cui una persona entri nell'area di lavoro.

- Non utilizzare il prodotto in uno spazio con un flusso d'aria insoddisfacente. Un flusso d'aria insufficiente può causare lesioni o la morte dovute ad asfissia o al monossido di carbonio.
- La marmitta è particolarmente calda durante l'utilizzo del prodotto, dopo lo spegnimento e durante il funzionamento al regime minimo. Prestare attenzione in prossimità di materiali e fumi infiammabili.
- Non toccare l'area della copertura della presa d'aria. Tenere lontano dall'area della presa d'aria gioielli e indumenti larghi.
- Mantenere sempre una postura corretta e utilizzare il prodotto solo su superfici sicure e piane. Superfici scivolose o instabili, come ad esempio scale, possono causare la perdita dell'equilibrio o del controllo.
- Non utilizzare il prodotto in una zona elevata, ad esempio su un tetto.
- Mettere in sicurezza il prodotto durante il trasporto.
- Utilizzare il prodotto solo agli orari consigliati. Rispettare le norme locali. Gli orari generalmente consigliati sono dalle 9:00 alle 17:00, dal lunedì al sabato.
- Azionare il prodotto con l'acceleratore al minimo per eseguire il lavoro.
- Assicurarsi di essere stabili e non correre il rischio di cadere durante l'uso del prodotto. Non inclinarsi durante l'uso del prodotto.
- Prima dell'utilizzo, assicurarsi che il prodotto sia in buone condizioni, in particolar modo la marmitta, la presa d'aria e il filtro dell'aria.
- Usare un rastrello o una scopa per sollevare i detriti dal terreno prima di utilizzare del prodotto.
- Se l'area di lavoro è sporca, irrorarla con un tubo.
- Utilizzare il prodotto come alternativa al tubo per risparmiare acqua.
- Soffiare i detriti in modo sicuro. Prestare attenzione a bambini, animali, finestre aperte o veicoli.
- Non puntare il prodotto su piante facilmente danneggiabili.
- Non soffiare l'aria in direzione di oggetti quali pareti, grandi pietre, veicoli e recinti.
- Se si lavora in angoli interni soffiare dall'angolo e al centro dell'area di lavoro. In caso contrario, i detriti possono colpire il viso e causare lesioni agli occhi.
- Utilizzare la massima estensione dell'ugello in modo da mantenere il flusso d'aria in prossimità del terreno.
- È necessario che le persone nelle vicinanze indossino una protezione per gli occhi.
- Gettare i detriti nei cassonetti dopo l'utilizzo del prodotto.

Istruzioni di sicurezza per l'utilizzo dell'aspiratore

- Evitare di danneggiare la ventola. Non aspirare oggetti solidi e di grandi dimensioni quali legno, lattine, pacciame di gomma o lunghi pezzi di corda.
- Non lasciare che il tubo di aspirazione urti il terreno.
- Spegnerne il motore e scollegare il cappuccio della candela prima di rimuovere un'ostruzione o del materiale intasato.

Abbigliamento protettivo personale

- Indossare sempre abbigliamento protettivo personale durante l'utilizzo del prodotto. L'abbigliamento protettivo personale non elimina completamente il rischio di lesioni. L'abbigliamento protettivo personale riduce il grado di lesioni in caso di incidente.
- Utilizzare sempre una protezione per gli occhi omologata durante l'utilizzo del prodotto.
- Non utilizzare mai il prodotto a piedi nudi o con calzature aperte. Utilizzare sempre robusti stivali antiscivolo.
- Utilizzare pantaloni lunghi di tessuto pesante.
- Se necessario, utilizzare guanti protettivi omologati.
- Utilizzare un elmetto in caso di possibile caduta di oggetti in testa.
- Utilizzare sempre protezioni acustiche omologate durante l'uso del prodotto. Un rumore prolungato può provocare la perdita dell'udito.
- Utilizzare sempre una mascherina protettiva omologata durante l'utilizzo del prodotto in ambienti polverosi.
- Tenere sempre a portata di mano la cassetta di pronto soccorso.

Dispositivi di protezione sul prodotto

- Eseguire regolarmente la manutenzione del prodotto.
 - Ciò aumenta la durata del prodotto.
 - E riduce il rischio di incidenti.

Far esaminare il prodotto da un rivenditore o un centro di assistenza autorizzati per eventuali regolazioni o riparazioni.

- Non utilizzare un prodotto con abbigliamento protettivo danneggiato. Se il prodotto è danneggiato, rivolgersi a un centro di assistenza autorizzato.

Interruttore di arresto

Avviare il motore. Accertarsi che il motore si spenga quando si porta l'interruttore in posizione di arresto.

Marmitta



AVVERTENZA: Non toccare la marmitta se è ancora calda. La marmitta è particolarmente calda durante il

funzionamento del motore e dopo lo spegnimento. Se si tocca la marmitta si corre il rischio di ustionarsi.

- Non utilizzare un motore con una marmitta danneggiata. Una marmitta danneggiata aumenta il livello acustico e il rischio di incendio. Tenere sempre un estintore a portata di mano.
- Controllare con regolarità che la marmitta sia collegata al prodotto.
- Non toccare il motore o la marmitta quando il motore è acceso. Non toccare il motore o la marmitta per alcuni istanti dopo lo spegnimento del motore. Superfici calde possono causare lesioni.
- Una marmitta calda può causare un incendio. Prestare la massima attenzione se si utilizza il prodotto in prossimità di liquidi infiammabili o fumi.
- Non toccare le parti della marmitta se danneggiata. Le parti possono contenere alcune sostanze chimiche cancerogene.
- Alcuni modelli di soffiatore sono dotati di uno schermo parascintille. Pulire e sostituire lo schermo agli intervalli specificati. Vedere la sezione Manutenzione (*MANUTENZIONE alla pagina 153*).

Sicurezza durante l'uso del carburante

- Non avviare il prodotto nel caso in cui vi sia carburante o olio motore su di esso. Rimuovere il carburante/olio indesiderato e lasciare che il prodotto si asciughi. Rimuovere il carburante indesiderato dal prodotto.
- In caso di perdite di carburante sugli indumenti, cambiarsi immediatamente.
- Il carburante non deve arrivare a contatto con il corpo, poiché può causare lesioni. In caso di contatto del carburante con il corpo, rimuoverlo con acqua e sapone.
- Non avviare il motore in caso di contatto dell'olio o del carburante con il prodotto o con il proprio corpo.
- Non avviare il prodotto se il motore presenta una perdita. Esaminare regolarmente il motore per verificare la presenza di eventuali perdite.
- Prestare la massima attenzione con il carburante. Il carburante è infiammabile e i fumi sono esplosivi quindi possono causare lesioni o morte.
- Non respirare i fumi del carburante perché possono causare lesioni. Accertarsi che ci sia un flusso d'aria sufficiente.
- Non fumare in prossimità del carburante o del motore.
- Non posizionare oggetti caldi in prossimità del carburante o del motore.
- Non aggiungere carburante a motore acceso.
- Assicurarsi che il motore sia freddo prima di effettuare il rifornimento.

- Prima di effettuare il rifornimento, aprire lentamente il tappo del serbatoio del carburante e rilasciare la pressione con cautela.
- Non aggiungere carburante al motore in un ambiente chiuso. Un flusso d'aria insufficiente può causare lesioni o la morte dovute ad asfissia o al monossido di carbonio.
- Serrare il tappo del serbatoio del carburante con cautela, altrimenti potrebbe verificarsi un incendio.
- Prima dell'avviamento, spostare il prodotto di almeno 3 m (10 ft) dal punto in cui è stato riempito il serbatoio del carburante.
- Non rabboccare il serbatoio con una quantità eccessiva di carburante.
- Assicurarsi che non si verifichino perdite quando si sposta il prodotto o la tanica carburante.
- Non posizionare il prodotto o una tanica carburante in ambienti in cui siano presenti fiamme libere, scintille o fiamme pilota. Assicurarsi che l'area di rimessaggio non contenga fiamme libere.
- Utilizzare solo contenitori omologati per spostare il carburante o riporlo in magazzino.
- Svuotare il serbatoio del carburante prima di lunghi periodi di stoccaggio. Attenersi alle leggi locali sullo smaltimento del carburante.
- Pulire il prodotto prima di un lungo periodo di stoccaggio.
- Rimuovere il cavo della candela prima di conservare il prodotto in magazzino per assicurarsi che il motore non si avvii accidentalmente.

Istruzioni di sicurezza per la manutenzione



AVVERTENZA: La manutenzione impropria può dare luogo a gravi danni al motore o gravi lesioni personali.

Il proprietario è responsabile dell'esecuzione di tutte le operazioni di manutenzione necessarie specificate nel manuale operatore. Scollegare la candela prima di un intervento di manutenzione. Non scollegare la candela prima delle regolazioni del carburante.

MONTAGGIO



AVVERTENZA: Leggere il capitolo sulla sicurezza prima di assemblare il prodotto.

Per installare il tubo soffiatore superiore

1. Allineare la scanalatura sul tubo soffiatore superiore (A) con la linguetta all'uscita del soffiatore (B). (Fig. 23)
2. Spingere il tubo soffiatore superiore completamente verso l'uscita del soffiatore.
3. Ruotare il tubo soffiatore superiore fino a quando il foro del tubo non si allinea con le filettature sul dado all'uscita del soffiatore. (Fig. 24)
4. Inserire la vite (C). (Fig. 25)
5. Ruotare la vite in senso orario con un cacciavite per fissare il tubo.

Per installare il tubo soffiatore inferiore

1. Allineare le scanalature sul tubo soffiatore inferiore (A) con le linguette sul tubo soffiatore superiore (B). (Fig. 26)
2. Spingere il tubo soffiatore inferiore completamente verso il tubo soffiatore superiore.
3. Ruotare il tubo soffiatore inferiore completamente fino a quando la linguetta non si blocca alla fine della scanalatura. (Fig. 27)

Per installare il tubo soffiatore™ VX

1. Allineare le scanalature sul tubo soffiatore VX™ (A) con le linguette sul tubo soffiatore superiore (B). (Fig. 28)
2. Spingere il tubo soffiatore VX™ completamente verso il tubo soffiatore superiore.
3. Ruotare il tubo soffiatore VX™ completamente fino a quando la linguetta non si blocca alla fine della scanalatura. (Fig. 29)

Per installare il tubo di aspirazione superiore

1. Inserire la punta di un cacciavite nell'area di aggancio dell'entrata dell'aspiratore. (Fig. 30)
2. Spingere delicatamente l'impugnatura del cacciavite verso la parte anteriore del prodotto per sbloccare il dispositivo di chiusura.
3. Tenere aperto il coperchio di entrata dell'aspiratore finché non è in posizione il tubo di aspirazione superiore. (Fig. 31)
4. Allineare la nervatura all'interno dell'entrata dell'aspiratore con le scanalature sul tubo di aspirazione superiore.

Nota: Allineare gli indicatori all'entrata dell'aspiratore e sul tubo di aspirazione superiore.

5. Spingere completamente il tubo di aspirazione superiore nell'entrata dell'aspiratore.

6. Ruotare il tubo di aspirazione superiore completamente in senso orario fino a che non si avverte uno scatto. (Fig. 32)

Per installare il tubo di aspirazione inferiore

1. Allineare la scanalatura sul tubo di aspirazione inferiore con la linguetta sul tubo di aspirazione superiore.
2. Spingere completamente il tubo di aspirazione inferiore verso il tubo di aspirazione superiore fino a quando la linguetta non si blocca alla fine della scanalatura. (Fig. 33)
3. Montare la vite.
4. Ruotare la vite in senso orario con un cacciavite per fissare il tubo. (Fig. 34)

Per montare il tubo del sacco di raccolta

1. Allineare la scanalatura sul tubo del sacco di raccolta (A) con la linguetta all'uscita del soffiatore (B). (Fig. 35)
2. Spingere il tubo del sacco di raccolta completamente verso l'uscita del soffiatore.
3. Ruotare il tubo del sacco di raccolta fino a quando il foro del tubo non si allinea con le filettature del dado all'uscita del soffiatore. (Fig. 36)
4. Inserire la vite (C).
5. Ruotare la vite in senso orario con un cacciavite per fissare il tubo. (Fig. 37)

FUNZIONAMENTO



AVVERTENZA: Leggere e comprendere il capitolo sulla sicurezza prima di utilizzare il prodotto.

Carburante

Uso del carburante



ATTENZIONE: Questo prodotto è dotato di un motore a due tempi. Utilizzare una miscela di benzina e olio per motori a due tempi. Utilizzare la quantità di olio corretta nella miscela. Un rapporto non corretto di benzina e olio può causare danni al motore.

Benzina



ATTENZIONE: Non utilizzare mai benzina con un numero di ottani inferiore a 90 RON (87 AKI). Ciò può causare danni al prodotto.



ATTENZIONE: Non utilizzare benzina con una concentrazione di etanolo superiore al 10% (E10). Ciò può causare danni al prodotto.

- Utilizzare sempre benzina senza piombo nuova con un numero di ottani minimo di 90 RON (87 AKI) e con una concentrazione di etanolo inferiore al 10% (E10).
- Utilizzare benzina con numero di ottani superiore se si utilizza frequentemente il prodotto a un regime alto continuo.

Olio per motori a due tempi

- Utilizzare solo olio per motori a due tempi di alta qualità. Utilizzare solo olio per motori raffreddati ad aria.

- Non utilizzare altri tipi di olio.
- Rapporto miscela 50:1 (2%)

Benzina	Olio
1 U.S. Gal.	77 ml (2,6 oz)
1 UK Gal.	95 ml (3,2 oz)
5 l	100 ml (3,4 oz)

Per preparare la miscela di carburante

Nota: Utilizzare sempre una tanica carburante pulita quando si prepara una miscela di carburante.

Nota: Preparare una quantità di miscela necessaria al massimo per 30 giorni.

1. Aggiungere la metà della quantità di benzina.
2. Aggiungere la quantità totale di olio.
3. Agitare la miscela per mescolare il contenuto.
4. Aggiungere la quantità di benzina rimanente.
5. Agitare la miscela per mescolare il contenuto.
6. Riempire il serbatoio del carburante.

Per aggiungere carburante

- Utilizzare sempre una tanica carburante con valvola antigoccia.
- Nel caso in cui sulla tanica sia presente del carburante, rimuoverlo e far asciugare la tanica.
- Assicurarsi che l'area circostante il tappo del serbatoio del carburante sia pulita.
- Agitare la tanica carburante prima di aggiungere la miscela nel serbatoio del carburante.

Per avviare e arrestare il motore

Prima di avviare il motore

- Verificare che non ci siano parti mancanti, danneggiate, allentate o usurate sul prodotto.
- Esaminare il sacco di raccolta. Assicurarsi che il sacco di raccolta non sia danneggiato e che la cerniera sia chiusa.
- Controllare i dadi, i bulloni e le viti.
- Controllare il filtro dell'aria.
- Verificare il corretto funzionamento del grilletto acceleratore.
- Verificare il corretto funzionamento dell'interruttore di arresto.
- Verificare eventuali perdite di carburante dal prodotto.

Per avviare il motore a freddo



AVVERTENZA: Non avvolgere il cavo di avviamento intorno al braccio.



ATTENZIONE: Non tenere il prodotto con il piede.



ATTENZIONE: Non tirare il cavo di avviamento nella posizione finale. Non lasciare andare l'impugnatura del cavo di avviamento quando il cavo è esteso. Ciò può causare danni al prodotto.

Nota: Se il motore si spegne, spostare il comando della valvola dell'aria nella posizione di chiusura e ripetere i passaggi dell'avviamento.

1. Riempire il serbatoio del carburante con una miscela pulita.
2. Usare la mano sinistra per premere il corpo della macchina contro il terreno. Assicurarsi che l'estremità del soffiatore non sia orientata verso persone, animali, vetri e oggetti solidi.
3. Premere lentamente per 10 volte il bulbo del carburante.
4. Portare la leva del comando dell'aria in posizione di comando dell'aria completamente aperto.
5. Premere e tenere premuta la leva del gas
6. Tirare con rapidità l'impugnatura della fune di avviamento per tentare di avviare il motore, ma non più di 3 volte.

Nota: Se la temperatura è inferiore a 4 °C (40 °F), continuare a tirare l'impugnatura della fune di avviamento per tentare di avviare il motore.

7. Portare la leva del comando dell'aria in posizione di comando dell'aria mezzo aperto.
8. Tirare con rapidità l'impugnatura della fune di avviamento fino ad avviare il motore.
9. Far girare il motore per 10 secondi.
10. Portare la leva del comando dell'aria in posizione di disattivazione.

Per avviare un motore caldo

1. Premere lentamente per 10 volte il bulbo del carburante.
2. Portare la leva del comando dell'aria in posizione di comando dell'aria mezzo aperto.
3. Tirare con rapidità l'impugnatura della fune di avviamento fino ad avviare il motore.
4. Portare la leva del comando dell'aria in posizione di disattivazione.

Avviamento del motore con blocco del vapore

Il blocco del vapore si verifica quando il carburante nel tubo di alimentazione o nel carburatore evapora a causa dell'aumento del calore.

Il blocco del vapore potrebbe verificarsi se il prodotto non viene riavviato ad una temperatura ambiente superiore a 35 °C (95 °F) ed è stato spento per 15-45 minuti.

1. Premere più volte il primer del carburante per 10-15 secondi.
2. Portare la leva del comando dell'aria in posizione di comando dell'aria mezzo aperto.
3. Tirare con rapidità l'impugnatura della fune di avviamento fino ad avviare il motore.
4. Lasciare che il motore si riscaldi per 3 minuti al minimo.
5. Portare la leva del comando dell'aria in posizione di disattivazione.

Per arrestare il motore

- Premere e rilasciare l'interruttore STOP del motore. L'interruttore torna automaticamente in posizione ON. Attendere 7 secondi prima di provare a riavviare il prodotto per consentire il ripristino dell'interruttore.

Per regolare il tubo soffiatore™ VX

1. Allineare la scanalatura corretta (A o B) sul tubo soffiatore VX™ esterno con la linguetta (C) sul tubo interno. (Fig. 38)

Nota: Non è possibile visualizzare la linguetta quando i tubi sono montati. La posizione della linguetta si avverte quando si sposta il tubo esterno.

Nota: Bloccare la linguetta nella posizione "A" per un'ampia apertura del soffiatore. Un'ampia apertura

del soffiatore consente di spostare vaste aree di foglie secche e altri corpi estranei. Bloccare la linguetta nella posizione "B" per una piccola apertura del soffiatore. Una piccola apertura del soffiatore rende il flusso d'aria più veloce e consente di pulire crepe e bordi e spostare materiale pesante come le foglie bagnate.

2. Ruotare il tubo esterno come illustrato nella figura, per sbloccare la linguetta dalla scanalatura. (Fig. 39)
3. Far scivolare il tubo esterno lungo il tubo interno per modificare la posizione. (Fig. 40)
4. Ruotare il tubo esterno come mostrato, finché la linguetta non si blocca completamente all'estremità della scanalatura corretta. (Fig. 41)

Posizione di funzionamento

- Soffiatore (Fig. 42)
- Aspiratore (Fig. 43)

Per aspirare

Prima di aspirare, indossare i dispositivi di sicurezza necessari.



AVVERTENZA: Assicurarsi che il sacco di raccolta non sia danneggiato e che la cerniera sia chiusa prima dell'uso. Non utilizzare un sacco danneggiato. In questo modo si evitano lesioni causate da detriti volanti. L'utilizzo con la mano sinistra comporta un rischio maggiore. Evitare il

contatto diretto del corpo con l'area di scarico.



AVVERTENZA: Non avviare il soffiatore se la copertura della presa d'aria è aperta o danneggiata (eccetto se è presente il tubo di aspirazione).

- Durante il funzionamento del soffiatore, il sacco di raccolta deve essere supportato dalla tracolla. La tracolla deve essere indossata sulla sommità della spalla.
- Avviare il soffiatore. Attenersi alle istruzioni riportate nella sezione di avvio e arresto *Per avviare e arrestare il motore alla pagina 152*. Leggere le istruzioni di sicurezza *SICUREZZA alla pagina 147*.

Per svuotare il sacco di raccolta



AVVERTENZA: Esaminare sempre il sacco di raccolta. Accertarsi che non sia danneggiato e che la cerniera sia chiusa prima dell'uso. Non utilizzare un sacco danneggiato. Sussiste il rischio di lesioni a causa dei detriti volanti. Prestare particolare attenzione in caso di utilizzo con la mano sinistra. Non toccare l'area di scarico.

1. Arrestare il prodotto.
2. Aprire la cerniera laterale.
3. Svuotare il sacco di raccolta.
4. Chiudere la cerniera.

MANUTENZIONE



AVVERTENZA: Leggere e comprendere il capitolo sulla sicurezza prima di pulire e riparare il prodotto o prima di eseguire la manutenzione.

Programma di manutenzione

Rispettare il programma di manutenzione. Gli intervalli sono calcolati sulla base di un uso quotidiano del prodotto. Nel caso in cui il prodotto non venga utilizzato tutti i giorni, gli intervalli variano. Eseguire solo gli interventi di manutenzione riportati nel presente manuale. Rivolgersi a un centro di assistenza autorizzato per altri interventi di manutenzione non contenuti in questo manuale.

Manutenzione giornaliera

- Pulire le superfici esterne.
- Controllare che il controllo del regime e il grilletto acceleratore funzionino correttamente. Sostituire le parti danneggiate.
- Controllare l'interruttore di arresto. Se necessario, procedere alla sostituzione.

- Controllare il regime del minimo.
- Pulire il filtro dell'aria. Se necessario, procedere alla sostituzione.
- Assicurarsi che la copertura della presa d'aria possa essere bloccata in posizione di chiusura. Assicurarsi che la girante sia pulita.
- Serrare tutti i dadi e le viti.
- Assicurarsi che gli alloggiamenti siano privi di crepe.
- Assicurarsi che il sacco di raccolta non sia danneggiato e che la cerniera funzioni correttamente. Sostituire il sacco, se necessario.

Manutenzione settimanale

- Esaminare le condizioni del dispositivo di avviamento, del cavo di avviamento e della molla di tensione. Sostituire tutte le parti danneggiate.
- Esaminare le condizioni della presa d'aria sul dispositivo di avviamento. Se la presa d'aria è ostruita, rimuovere eventuali detriti.
- Pulire il lato esterno della candela. Smontarla e controllare la distanza tra gli elettrodi. Regolare la distanza portandola a 6 mm (0,024 poll.) o sostituire la candela.

- Pulire le lame della girante.
- Pulire lo schermo parascintille e, se necessario, sostituirlo (non sulle marmitte con convertitore catalitico).
- Pulire l'area del carburatore.
- Pulire il filtro dell'aria.

Manutenzione mensile

- Esaminare la maniglia del cavo di avviamento e la fune stessa.
- Pulire il serbatoio carburante.
- Pulire il carburatore e l'area circostante.
- Pulire le lame della girante.
- Verificare la presenza di crepe o altri danni ai tubi del carburante. Se necessario, eseguire la sostituzione
- Sostituire il filtro del carburante nel serbatoio del carburante.
- Esaminare tutti i cavi e i raccordi.
- Sostituire la candela.
- Sostituire il filtro dell'aria.

Manutenzione annuale

- Esaminare la candela.
- Pulire la superficie esterna del carburatore e le relative aree adiacenti.
- Pulire il sistema di raffreddamento
- Esaminare lo schermo parascintille.
- Esaminare il filtro del carburante.
- Esaminare il tubo pescante per verificare l'eventuale presenza di danni.
- Esaminare tutti i cavi e i raccordi.

Manutenzione a 50 ore

- Far riparare o sostituire la marmitta da un centro di assistenza approvato.

Per regolare il regime minimo

Assicurarsi che il filtro dell'aria sia pulito e che il coperchio del filtro dell'aria sia fissato prima di regolare il regime minimo.

Registrare il minimo con la vite di regolazione del regime minimo. (Fig. 44)

Il regime del minimo è corretto quando il motore funziona uniformemente in tutte le posizioni.

1. Ruotare la vite di regolazione del regime minimo in senso orario per un regime superiore.
2. Ruotare la vite di regolazione del regime minimo in senso antiorario per un regime inferiore.

Per gli interventi di manutenzione dello schermo parascintille

Utilizzare una spazzola metallica per pulire lo schermo parascintille.

Per pulire il sistema di raffreddamento

Pulire i componenti del sistema di raffreddamento con una spazzola.

Per esaminare la candela



ATTENZIONE: Usare candele originali o del tipo raccomandato. Un tipo di candela errato può danneggiare il prodotto.

- Controllare la candela nel caso in cui il motore giri a bassa potenza, risulti difficile da avviare o non funzioni correttamente al regime minimo.
- Per ridurre il rischio di materiale superfluo sugli elettrodi delle candele, osservare le seguenti istruzioni:
 - a) Accertarsi che il regime minimo sia regolato correttamente.
 - b) Accertarsi che la miscela sia corretta.
 - c) Accertarsi che il filtro dell'aria sia pulito.
- Se la candela è incrostata, pulirla e accertarsi che la distanza tra gli elettrodi sia corretta. Vedere *DATI TECNICI alla pagina 155*. (Fig. 45)
- Sostituire la candela, se necessario.

Per eseguire la manutenzione del filtro dell'aria

Per pulire il filtro dell'aria

1. Rimuovere il filtro dell'aria e il relativo coperchio.
2. Pulire il filtro dell'aria con acqua calda e sapone. Accertarsi che il filtro dell'aria sia asciutto prima di montarlo.
3. Sostituire il filtro dell'aria se è troppo sporco per poterlo pulire completamente. Sostituire sempre un filtro dell'aria danneggiato.
4. Se il prodotto dispone di un filtro dell'aria a schiuma, applicare dell'olio adeguato. Applicare olio solo a un filtro a schiuma. Non applicare olio a un filtro in feltro.

DATI TECNICI

	unità	GBV 322 (GHB28VPR)	GBV 322VX (GHB28VPR)
Specifiche motore			
Cilindrata	cm ³	26	26
Distanza tra gli elettrodi	mm	0,6	0,6
Volume serbatoio del carburante	cm ³	500	500
Regime minimo	min ⁻¹	2800 - 3200	2800 - 3200
Velocità massima	min ⁻¹	8000	8000
Potenza	kW	0,8	0,8
Candela		Champion RCJ-6Y	Champion RCJ-6Y
Velocità massima modalità di soffiatura	min ⁻¹	8600	8600
Velocità massima modalità di aspirazione	min ⁻¹	--	7500
Periodo di durata delle emissioni	h	50	50
Dati relativi a rumorosità e vibrazioni			
Livello di vibrazioni equivalente sulle impugnature con tubi dello spazzafoglie e ugello (originali) - vedere la nota 1	m/s ²	7,5	7,5
Livello di vibrazioni equivalente sulle impugnature con tubi di aspirazione (originali), lato sinistro/destro - vedere la nota 1	m/s ²	7,4	7,4
Livello di pressione acustica equivalente rispetto all'udito dell'operatore misurato ai sensi della norma ISO 22868 con tubi dello spazzafoglie e ugello (originali) - vedere nota 3	dB(A)	95,6	95,6
Livello di emissione sonora, garantito (L _{WA}) - vedere la nota 2	dB(A)	112	112
Livello di emissione sonora, misurato - vedere la nota 2	dB(A)	109	109
Dimensioni del prodotto			
Peso	kg	4,4	4,5
<p>Nota 1: I dati riportati per il livello di vibrazioni equivalente hanno una dispersione statistica tipica (deviazione standard) di 1,5 m/s².</p> <p>Nota 2: emissioni di rumore nell'ambiente misurate come potenza sonora (L_{WA}) in base alla direttiva CE 2000/14/CE. Il livello di potenza acustica riportato per la macchina è stato misurato con il gruppo originale che emette il livello massimo. La differenza tra potenza acustica misurata e garantita è che la potenza acustica garantita comprende anche la dispersione nel risultato di misurazione e le variazioni tra le diverse macchine dello stesso modello come da Direttiva 2000/14/CE.</p> <p>Nota 3: I dati riportati per il livello di pressione acustica equivalente del macchinario hanno una dispersione statistica tipica (deviazione standard) di 3 dB (A).</p>			

Ventola	unità	GBV 322	GBV 322VX
Tipo		Ventola radiale	Ventola radiale
Velocità massima dell'aria, ugello standard	km/h	322	-
Velocità massima dell'aria, tubo soffiatore™ VX*	km/h	-	370
Volume dell'aria modalità di soffiatura	cfm	370	450
Volume dell'aria modalità di aspirazione	cfm	490	490
Rapporto di pacciamatura		10:1	16:1
*accessorio opzionale			

CONTENUTO DELLA DICHIARAZIONE DI CONFORMITÀ CE

Husqvarna AB, SE 561 82 Huskvarna, SVEZIA, dichiara sotto la propria esclusiva responsabilità che il prodotto indicato:

Il certificato, come riportato sulla Dichiarazione di conformità CE firmata, si applica a tutti i siti produttivi e paesi d'origine, così come riportati sul prodotto.

Il soffiatore a benzina/soffiatore- aspiratore è conforme al campione sottoposto a omologazione.

Descrizione	Soffiatore a benzina/ Soffiatore-Aspiratore
Marchio	McCulloch
Piattaforma / Tipo / Modello	Piattaforma GHB28VPR, rappresentante il modello GBV 322, GBV 322VX
Lotto	Numero di serie a partire dal 2018

è pienamente conforme alle seguenti norme e direttive UE:

Direttiva/norma	Descrizione
2006/42/CE	"relativa alle macchine"
2014/30/UE	"sulla compatibilità elettromagnetica"
2000/14/CE	"sul rumore esterno"

Le norme armonizzate e/o specifiche tecniche applicate sono le seguenti: EN ISO 12100, EN 15503, CISPR 12, ISO 14982

In conformità alla direttiva 2000/14/CE, Allegato V, i valori per i livelli sonori dichiarati sono riportati nella sezione Dati tecnici del presente manuale e nel documento firmato Dichiarazione di conformità CE.

TÜV Rheinland N.A. ha eseguito l'omologazione volontaria per conto di Husqvarna AB, emettendo il Certificato di conformità relativo alla direttiva del Consiglio 2006/42/CE sulle macchine.

TURINYS

IVADAS.....	157	PRIEŽIŪRA.....	164
SAUGA.....	158	TECHNINIAI DUOMENYS.....	165
SURINKIMAS.....	161	EB ATITIKTIES DEKLARACIJOS TURINYS.....	166
NAUDOJIMAS.....	161		

IVADAS

Naudojimo instrukcija

Pirminė šios naudojimo instrukcijos kalba yra anglų.
Naudojimo instrukcijos kitomis kalbomis yra verstos iš anglų kalbos.

Apžvalga

(Pav. 1)

1. Pečių juosta
2. Droselio gaidukas
3. STOP mygtukas
4. Pastovaus greičio palaikymo funkcija
5. Ventilatoriaus korpusas
6. Kuro bakelio dangtelis
7. Oro filtras
8. Oro sklendė
9. Kuro siurbliukas
10. Įsiurbimo angos dangtis
11. Siurbimo rankena
12. Mulčiavimo peilis (GBV 322VX)
13. Ventilatoriaus sparnuotė
14. Apatinis pūtimo vamzdis (GBV 322)
15. VX™ pūstuvo vamzdis (GBV 322VX)
16. Viršutinis pūtimo vamzdis
17. Varžtas
18. Duslintuvas
19. Įžeminimo laidas
20. Starterio virvės rankena
21. Starterio mechanizmas
22. Rankena
23. Kombinuotasis įrankis
24. Surinkimo maišo vamzdis
25. Surinkimo maišas
26. Dviejų dalių siurbimo vamzdis
27. Varžtas
28. Naudojimo instrukcija

Simboliai ant gaminio

(Pav. 2) Įspėjimas

(Pav. 3) Perskaitykite šias instrukcijas

(Pav. 4) Naudokite patvirtintą galvos apsaugą

(Pav. 5) Naudokite patvirtintas apsaugines ausines

Naudokite patvirtintas akių apsaugos priemonės (ANSI Z87.1 ar lygiavertis standartas)

(Pav. 6)

Naudokite patvirtintus apsauginius aulinius batus ir pirštines

(Pav. 7)

Dėvėkite drabužius ilgomis rankovėmis ir ilgas kelnes

(Pav. 8)

Naudodami gaminį nesegėkite papuošalų.

(Pav. 9)

Naudodami atsuktuvą atlaisvinkite užšovą.

(Pav. 10)

Kad nesugadintumėte sparnuotės, nesiurbkite akmenų, žvyro, metalo, stiklo šukių, gumos mulčio ar kitų medžiagų.

(Pav. 11)

Iš gaminio gali išskrieti pašaliniai objektai, kurie gali pažeisti akis

(Pav. 12)

Nebūkite arti sparnuotės, nes ji sukasi

(Pav. 13)

Visiškai uždaryta

(Pav. 14)

Pusiau uždaryta

(Pav. 15)

Atidaryta

(Pav. 16)

Ilgus plaukus pakelkite aukščiau pečių.

(Pav. 17)

Saugus atstumas

(Pav. 18)

Garantuotas triukšmingumas

(Pav. 19)

Šis gaminys atitinka taikomas EB direktyvas.

(Pav. 20)

Šis gaminys atitinka taikomas EAC direktyvas.

(Pav. 21)

Šis gaminys atitinka taikomas Ukrainos direktyvas.

(Pav. 22)

Pasižymėkite: Kiti ant gaminio pateikti simboliai (lipdukai) nurodo kitų komercinių teritorijų sertifikavimo reikalavimus.

EU V



PERSPĖJIMAS: Variklio modifikavimas panaikina šio produkto ES tipo patvirtinimą.

Gaminio patikimumas

Kaip nurodyta atsakomybės už gaminį įstatymuose, mes nesame atsakingi už mūsų gaminio sukeltą žalą, jei:

- gaminys netinkamai suremontuotas.
- gaminys suremontuotas naudojant kito gamintojo arba gamintojo nepatvirtintas dalis.
- gaminys turi kito gamintojo arba gamintojo nepatvirtintą priedą.
- gaminys suremontuotas ne patvirtintame techninės priežiūros centre arba jį suremontavo ne patvirtintas atstovas.

SAUGA

Saugos ženklų reikšmės

Toliau apibrėžiamas signalinių žodžių žymimas pavojus.



PERSPĖJIMAS: Gali susižeisti asmenys.



PASTABA: Galima sugadinti gaminį.

Pasižymėkite: Ši informacija padeda gaminį naudoti saugiau.

Bendrieji saugos nurodymai

- Naudokite gaminį tinkamai. Netinkamai naudojant galima rimtai arba mirtinai susižeisti. Produktą naudokite tik šiose instrukcijose nurodytiems darbams. Nenaudokite gaminio kitiems darbams.
- Paisykite šiose instrukcijose pateiktų nurodymų. Paisykite saugos simbolių ir saugos nurodymų. Naudotojui nepaisant instrukcijų ir simbolių, galima sugadinti įrangą arba susižeisti ar mirtinai susižeisti.
- Neišmeskite šių instrukcijų. Vadovaukitės šiomis instrukcijomis surinkdami ir naudodami šį gaminį bei atlikdami jo techninę priežiūrą. Vadovaukitės šiomis instrukcijomis, kad tinkamai prijungtumėte priedus. Naudokite tik patvirtintus priedus.
- Sugadinto gaminio nenaudokite. Paisykite techninės priežiūros grafiko. Atlikite tik šiose instrukcijose aprašytus priežiūros darbus. Visus kitus techninės priežiūros darbus turi atlikti patvirtintas techninės priežiūros centras.
- Šiose instrukcijose negali būti numatytos visos situacijos, su kuriomis galite susidurti naudodami gaminį. Būkite atsargūs ir apdairūs. Gaminio nenaudokite ir nevykdysite jo priežiūros darbų, jei nesate tikri dėl jo būklės. Jei reikia informacijos, kreipkitės į gaminio ekspertą, pardavimo atstovą,

techninės priežiūros atstovą arba patvirtintą techninės priežiūros centrą.

- Prieš surinkdami gaminį, ruošdami jį saugoti arba atlikdami priežiūros darbus, atjunkite uždegimo žvakės kabelį.
- Nenaudokite gaminio, jei pasikeitė jo pradiniai techniniai duomenys. Nekeiskite gaminio dalių, neturinčių gamintojo patvirtinimo. Naudokite tik gamintojo patvirtintas dalis. Netinkamai prižiūrint gaminį galima susižeisti arba žūti.
- Neįkvėpkite variklio skleidžiamų dujų. Ilgalais kvėpavimas variklio išmetamosiomis dujomis pavojingas gyvybei.
- Neužveskite gaminio patalpoje arba greta degių medžiagų. Išmetamosios dujos yra karštos, jose gali būti kibirkščių, kurios gali sukelti gaisrą. Dėl oro stygiaus galima susižaloti arba žūti uždusęs arba apsinuodijęs anglies monoksidu.
- Naudojant šį gaminį, variklis skuria elektromagnetinį lauką. Elektromagnetinis laukas gali sugadinti medicininius implantus. Prieš pradėdami naudoti šį gaminį, pasitarkite su savo gydytoju ir medicininio implanto gamintoju.
- Neleiskite gaminio naudoti vaikams. Neleiskite gaminio naudoti su instrukcijomis nesusipažinusiems asmenims.
- Visada prižiūrėkite gaminį naudojančių fizinę arba protinę negalią turintį asmenį. Būtina nuolatinė atsakingo suaugusiojo priežiūra.
- Užrakinkite gaminį vaikams ir nepatvirtintiems asmenims nepasiekiamoje vietoje.
- Iš gaminio gali išskrieti ir sužaloti pašaliniai objektai. Paisykite saugos nurodymų, kad sumažėtų sužeidimų arba žūties pavojus.
- Nepalikite gaminio be priežiūros, kai užvestas variklis.
- Dėl nelaimingo įvykio yra atsakingas gaminio naudotojas.
- Prieš naudodami gaminį įsitinkinkite, kad jo dalys nepažeistos.

- Prieš naudodami gaminį, įsitinkinkite, kad aplink jus mažesniu nei 15 m (50 pėdų) spinduliu nėra pašalinių žmonių arba gyvūnų. Pasirūpinkite, kad greta esantys asmenys žinotų, jog ketinate naudoti gaminį.
- Atsižvelkite į nacionalinius arba vietos įstatymus. Jie gali drausti arba riboti gaminio naudojimą konkrečiomis sąlygomis.
- Neekspluatuokite gaminio, jeigu esate pavargę, vartojote alkoholio, narkotikų ar vaistų. Tai gali paveikti jūsų regėjimą, budrumą, koordinaciją ir nuovokumą.
- Gaminį naudokite tik rekomenduojamą laiką. Laikykitės vietinių įstatymų. Įprastai patartina dirbti nuo pirmadienio iki šeštadienio 9.00–17.00 val.
- Darbo metu nustatykite žemiausią galimą droselio padėtį.
- Įsitinkinkite, kad naudodami įrenginį nenugriūsite. Naudodami gaminį nepasivirkite.
- Prieš naudodami įsitinkinkite, kad gaminys geros būklės, ypač duslintuvas, oro įsiurbimas ir oro filtras.
- Prieš naudodami gaminį, grėbliu arba šluota nubraukite prie žemės prikibusias šiukšles
- Jei darbo sritis purvina, nuplaukite ją žarna.
- Gaminį naudokite kaip alternatyvą žarnai, norėdami taupyti vandenį.
- Šiukšles pūskite atsargiai. Saugokitės vaikų, gyvūnų, atvirų langų ar transporto priemonių.
- Nenukreipkite gaminio į lengvai pažeidžiamus augalus.
- Nepūskite oro į tokius objektus kaip sienos, dideli akmenys, transporto priemonės ir tvoros.
- Jei dirbate prie vidinių kampų, pūskite nuo kampo į darbo srities centrą. Antraip šiukšlės gali būti nusviestos jums į veidą ir sužeisti akis.
- Naudokite pilnai sukomplektuotą pailgintą antgalį, kad oro srovė būtų pučiama arti žemės.
- Aplinkiniai būtinai turi dėvėti akių apsaugos priemones.
- Panaudoję gaminį išmeskite šiukšles į atliekų talpyklas.

Vibracijos sauga

Šis gaminys skirtas naudoti tik kartais. Nepertraukiamai arba reguliariai naudojantis gaminiu, dėl vibracijos gali atsirasti baltų pirštų sindromas arba panašios medicininės problemos. Jei gaminį naudojate nepertraukiamai arba reguliariai, įvertinkite savo rankų ir pirštų būklę. Jei rankų ar pirštų spalva pakitusi, jaučiate skausmą, dilgčiojimą ar nutirpimą, nustokite dirbti ir nedelsdami kreipkitės į gydytoją.

Pūstuvo naudojimo saugos nurodymai

- Gaminį naudokite tik lapams ar kitoms šiukšlėms nupūsti arba pašalinti nuo žemės.
- Nenaudokite gaminio, jeigu esate pavargę, sergate, vartojote alkoholio, narkotikų ar vaistų.
- Neprileiskite žmonių arba gyvūnų arčiau nei 15 m (50 pėdų) nuo operatoriaus.
- Gaminys gali dideliu greičiu išsviesti daiktus, kurie gali atštoki ir užgauti operatorių. Taip galima pažeisti akis.
- Pūstuvo antgalio nenukreipkite į žmones ar gyvūnus.
- Ilgus plaukus pakelkite aukščiau pečių.
- Prieš sumontuodami ar išmontuodami priedus ar kitas dalis, sustabdykite variklį.
- Nenaudokite gaminio be apsaugos.
- Jei darbo zonoje yra pašalinių asmenų, gaminio nenaudokite. Į darbo zoną įžengus pašaliniam asmeniui, išjunkite gaminį.
- Nenaudokite gaminio netinkamai vėdinamose vietose. Jei stinga oro, galima susižaloti arba žūti uždegus arba apsinuodijus anglies monoksidu.
- Duslintuvas yra labai karštas, kai gaminys įjungtas, jį sustabdžius ir kai veikia tuščiajame eiga. Būkite atsargūs netoli degių medžiagų ir degių dujų.
- Nelieskite įvado dangtelio srities. Saugokite papuošalus ir laisvai kabančius drabužius nuo įvesties srities.
- Visada tvirtai stovėkite ir naudokite gaminį tik virš saugių ir plokščių paviršių. Ant slidžių arba nestabilių paviršių, pvz., kopėčių, galite prarasti pusiausvyrą arba kontrolę.
- Nenaudokite gaminio aukštos zonoje, pvz., ant stogo.
- Gabendami gaminį pritvirtinkite.

Siurblio naudojimo saugos nurodymai

- Nepažeiskite ventiliatoriaus. Nesiurbkite didelių, kietų objektų, pvz., medžio gabalų, skardinių, gumos mulčio arba ilgų juostelių.
- Stenkitės, kad siurbimo vamzdis neatsitrenktų į žemę.
- Prieš pašalindami kliūtį ar vamzdį užkimšusią medžiagą sustabdykite variklį ir atjunkite uždegimo žvakės antgalį.

Asmeninės apsauginės priemonės

- Dirbdami gaminiu visada naudokite tinkamas asmenines apsaugines priemones. Asmeninės apsauginės priemonės nepašalina sužeidimų pavojaus. Asmeninės apsauginės priemonės sumažina sužalojimų laipsnį nelaimės atveju.
- Dirbdami gaminiu visada naudokite akių apsaugos priemones.
- Nenaudokite gaminio basomis kojomis arba atvira avalyne. Visada avėkite patvarius, neslystančius batus.
- Dėvėkite storas, ilgas kelnes.
- Jei būtina, naudokite patvirtintas apsaugines pirštines.
- Jei yra tikimybė, kad jums ant galvos gali nukristi sunkus objektas, naudokite šalmą.
- Dirbdami gaminiu visada naudokite apsaugines ausines. Ilgalais triukšmas gali pakenkti klausai.

- Visada produktą naudodami dulkėtose aplinkose naudokite patvirtintą respiratorių.
- Šalia visada turėkite pirmosios pagalbos rinkinį.

Gaminio apsauginės priemonės

- Nepamirškite reguliariai atlikti gaminio priežiūros darbų.
 - Gaminio tarnavimo trukmė padidėja.
 - Nelaimių pavojus sumažėja.

Reguliariai perduokite gaminį patvirtintam pardavimo atstovui arba techninės priežiūros centrui, kuriame jis bus apžiūrėtas ir pakoreguotas arba suremontuotas.

- Nenaudokite gaminio, jei jo apsauginės priemonės pažeistos. Jei gaminys pažeistas, kreipkitės į patvirtintą techninės priežiūros centrą.

Stabdymo jungiklis

Įjunkite variklį. Įsitikinkite, kad variklis sustoja, kai perjungiate stabdymo jungiklį į išjungimo padėtį.

Duslintuvas



PERSPĖJIMAS: Nelieskite duslintuvo, jei jis yra karštas. Duslintuvas būna labai karštas varikliui dirbant ir jį išjungus. Jei paliesite duslintuvą jis gali nudeginti.

- Nenaudokite variklio su pažeistu duslintuvu. Pažeistas duslintuvas skleidžia daugiau triukšmo ir kelia didesnį gaisro pavojų. Visada šalia turėkite gesintuvą.
- Reguliariai apžiūrėkite, ar duslintuvas pritvirtintas prie gaminio.
- Kai variklis užvestas nelieskite variklio arba duslintuvo. Išjungę variklį kurį laiką nelieskite variklio arba duslintuvo. Įkaitę paviršiai gali sužaloti.
- Karštas duslintuvas gali sukelti gaisrą. Būkite atsargūs naudodami gaminį greta degių skysčių arba dujų.
- Nelieskite pažeisto duslintuvo dalių. Dalyse gali būti kancerogeninių medžiagų.
- Kai kurie pūstovo modeliai turi kibirkščių sulaikymo tinklėlį. Nurodytais intervalais nuvalykite ir pakeiskite tinklėlį. Žr. skyrių „Priežiūra“ (*PRIEŽIŪRA psl. 164*).

Saugumo reikalavimai kurui

- Neužveskite gaminio, jei ant gaminio yra kuro arba variklio alyvos. Nuvalykite nepageidaujamą kurą / alyvą ir palaukite, kol gaminys išdžius. Nuvalykite nuo gaminio nepageidaujamą kurą.
- Apsipylę drabužius kuru nedelsiant persienkite.
- Neapsipilkite kūno kuru, nes jis gali sužaloti. Apsipylę kūną kuru, jį nusiplaukite milu ir vandeniu.

- Neužveskite variklio, jei apliejote gaminį arba kūną alyva arba kuru.
- Neužveskite gaminio, jei iš variklio sunkiasi skysčiai. Reguliariai tikrinkite, ar iš variklio nesisunkia skysčiai.
- Atsargiai elkitės su kuru. Kuras yra degus, o jo garai – sprogdūs, todėl neatsargiai elgiantis galima susižaloti arba žūti.
- Neįkvėpkite kuro garų, nes jie gali sužaloti. Pasirūpinkite tinkamu vėdinimu.
- Nerūkykite greta kuro arba variklio.
- Nedėkite šiltų objektų greta kuro arba variklio.
- Nepilkite kuro, kai variklis užvestas.
- Prieš pildami kurą įsitikinkite, ar variklis ataušęs.
- Prieš pildami kurą lėtai atidarykite kuro bakelio dangtelį ir atsargiai išleiskite slėgį.
- Nepilkite į variklį kuro būdami patalpoje. Dėl oro stygiaus galima susižaloti arba žūti uždusus arba apsinuodijus anglies monoksidu.
- Kruopščiai priveržkite kuro bakelio dangtelį, nes antraip gali kilti gaisras.
- Prieš pradėdami darbą patraukite gaminį mažiausiai 3 m (10 pėdų) nuo vietos, kurioje pylėte kurą.
- Nepripilkite į kuro bakelį pernelyg daug kuro.
- Pasirūpinkite, kad perkeliant gaminį arba kuro bakelį iš jo neišsiliėtų kuras.
- Nestatykite gaminio arba kuro bakelio greta atviros liepsnos, kibirkščių arba degiklio. Įsitikinkite, kad laikymo patalpoje nėra atviros liepsnos.
- Kurą gabenkite ir laikykite tik patvirtintuose bakeliuose.
- Prieš palikdami gaminį saugoti ilgesniam laikui, ištuštinkite kuro bakelį. Kurą utilizuokite atsižvelgdami į vietinius įstatymus.
- Nuvalykite gaminį prieš palikdami jį saugoti ilgesniam laikui.
- Prieš palikdami gaminį saugoti ilgesnį laiką atjunkite uždegimo žvakės kabelį, kad variklis netikėtai neužsivestų.

Priežiūros saugos instrukcijos



PERSPĖJIMAS: Dėl netinkamai atliekamos techninės priežiūros gali būti rimtai sugadintas variklis arba patirtas rimtas sužeidimas.

Savininkas atsakingas už visos reikalingos priežiūros, aprašytos naudojimosi instrukcijoje, atlikimą. Prieš techninę priežiūrą, atjunkite uždegimo žvakės laidą. Prieš reguliuodami karbiuratorių neatjunkite uždegimo žvakės.

SURINKIMAS



PERSPĖJIMAS: Prieš surinkdami gaminį perskaitykite skyrių apie saugą.

Viršutinio pūstuvo vamzdžio montavimas

1. Sulygiuokite viršutinio pūstuvo vamzdžio (A) briaunelę su grioveliu ant pūstuvo išvado (B). (Pav. 23)
2. Stumkite viršutinį pūstuvo vamzdį į pūstuvui skirtą angą.
3. Sukite viršutinį pūstuvo vamzdį, kol vamzdžio anga bus sulygiuota su sriegiu pūstuvo išvado veržlėje. (Pav. 24)
4. Įstatykite varžtą (C). (Pav. 25)
5. Pasukite varžtą pagal laikrodžio rodyklę su atsuktuvu, kad pritvirtintumėte vamzdį.

Apatinio pūstuvo vamzdžio montavimas

1. Sulygiuokite apatinio pūstuvo vamzdžio (A) išpjovas su iškyšomis ant viršutinio pūstuvo vamzdžio (B). (Pav. 26)
2. Stumkite apatinį pūstuvo vamzdį link viršutinio pūstuvo vamzdžio.
3. Pasukite apatinį pūstuvo vamzdį, kol briaunelė bus užfiksuota išpjovos gale. (Pav. 27)

VX montavimas™ pūstuvo vamzdis

1. Sulygiuokite lizdus ant VX™ pūstuvo vamzdžio (A) su išpjovomis ant viršutinio pūstuvo vamzdžio (B). (Pav. 28)
2. Stumkite VX™ pūstuvo vamzdį ant viršutinio pūstuvo vamzdžio.
3. Pasukite VX™ pūstuvo vamzdį, kol briaunelė bus užfiksuota išpjovos gale. (Pav. 29)

Viršutinio siurbimo vamzdžio montavimas

1. Įstatykite atsuktuvą į siurbimo įvado užšovą. (Pav. 30)

2. Atsargiai kilstelėkite atsuktuvo rankeną link įrenginio priekinės dalies, kad atšoktų užšovas.
3. Siurbimo įvado dangtelis turi būti atidarytas, kol įstatysite viršutinį siurbimo vamzdį. (Pav. 31)
4. Sulygiuokite siurbimo įvado iškyšą su išpjovomis ant viršutinio siurbimo vamzdžio.

Pasižymėkite: Sulygiuokite siurbimo įvado angos iškyšas ant viršutinio siurbimo vamzdžio.

5. Įstatykite viršutinį siurbimo vamzdį į siurbimo įvadą.
6. Sukite viršutinį siurbimo vamzdį pagal laikrodžio rodyklę, kol išgirsite spragtelėjimą. (Pav. 32)

Apatinio siurbimo vamzdžio montavimas

1. Sulygiuokite apatinio siurbimo vamzdžio angą su iškyša ant viršutinio siurbimo vamzdžio.
2. Stumkite apatinį pūstuvo vamzdį ant viršutinio siurbimo vamzdžio, kol briaunelė bus užfiksuota išpjovos gale. (Pav. 33)
3. Įstatykite varžtą.
4. Pasukite varžtą pagal laikrodžio rodyklę su atsuktuvu, kad pritvirtintumėte vamzdį. (Pav. 34)

Surinkimo maišo vamzdžio montavimas

1. Sulygiuokite surinkimo maišo vamzdžio (A) briaunelę su grioveliu ant pūstuvo išvado (B). (Pav. 35)
2. Stumkite surinkimo maišo vamzdį į pūstuvui skirtą angą.
3. Sukite surinkimo maišo vamzdį, kol vamzdžio anga bus sulygiuota su sriegiu pūstuvo išvado veržlėje. (Pav. 36)
4. Įstatykite varžtą (C).
5. Pasukite varžtą pagal laikrodžio rodyklę su atsuktuvu, kad pritvirtintumėte vamzdį. (Pav. 37)

NAUDOJIMAS



PERSPĖJIMAS: Prieš naudodami gaminį perskaitykite ir supraskite skyrių apie saugą.

Degalai

Kuro naudojimas



PASTABA: Gaminys turi dviejų ciklų variklį. Naudokite benzino ir dviejų ciklų varikliui skirtos alyvos mišinį. Būtinai naudokite tinkamo alyvos kiekio mišinį. Netinkamas benzino ir alyvos santykis gali sugadinti variklį.

Benzinas



PASTABA: Nenaudokite benzino, kurio oktaninis skaičius yra mažesnis nei 90 RON (87 AKI). Antraip galima sugadinti gaminį.



PASTABA: Nenaudokite benzino, kurio etanolio koncentracija didesnė kaip 10 % (E10). Antraip galima sugadinti gaminį.

- Visada naudokite šviežią bešvinį benziną, kurio minimalus oktaninis skaičius yra 90 RON (87 AKI), o etanolio koncentracija 10 % (E10).
- Jei gaminį dažnai naudojate esant nuolatinėms didelėms variklio apsakoms, naudokite didesnio oktaninio skaičiaus benziną.

Dviejų ciklų variklio alyva

- Naudokite tik aukštos kokybės dviejų ciklų variklio alyvą. Naudokite tik oru aušinamiems varikliams skirtą alyvą.
- Nenaudokite kitų rūšių alyvos.
- Mišinio santykis 50:1 (2 %)

Benzinas	Alyva
1 galonas (JAV)	77 ml (2,6 unc.)
1 galonas (JK)	95 ml (3,2 unc.)
5 l	100 ml (3,4 unc.)

Kuro mišinio maišymas

Pasižymėkite: Maišydami kurą visada naudokite tik švarų kuro bakelį.

Pasižymėkite: Nemaišykite kuro mišinio kiekio ilgesniam kaip 30 dienų laikotarpiui.

1. Įpilkite pusę benzino kiekio.
2. Supilkite visą alyvos kiekį.
3. Suplakite kuro mišinį, kad komponentai susimaišytų.
4. Supilkite likusį benzino kiekį.
5. Suplakite kuro mišinį, kad komponentai susimaišytų.
6. Užpildykite kuro bakelį.

Kuro įpylimas

- Naudokite degalų bakelį su apsauga nuo perpilimo.
- Jei bakelyje yra kuro, pašalinkite nepageidaujama kurą ir palaukite, kol bakelis išdžius.
- Įsitinkinkite, kad plotas aplink kuro bakelio dangtelį yra švarus.
- Prieš pildami kuro mišinį į kuro bakelį papurtykite kuro bakelį.

Užvedimas ir išjungimas

Prieš paleidžiant variklį

- Apžiūrėkite, ar gaminiai netrūksta dalių, ar jis neturi pažeistų, nepritvirtintų arba susidėvėjusių dalių.
- Apžiūrėkite surinkimo maišą. Įsitinkinkite, kad surinkimo maišas nepažeistas, o užtrauktukas užtrauktas.
- Apžiūrėkite varžes ir varžtus.
- Apžiūrėkite oro filtrą.
- Patikrinkite, ar tinkamai veikia akceleratoriaus gaidukas.
- Patikrinkite, ar tinkamai veikia išjungimo jungiklis.
- Patikrinkite, ar neprateka degalai.

Šalto variklio užvedimas



PERSPĖJIMAS: Nevyniokite starterio virvės sau ant rankos.



PASTABA: Nelaikykite gaminio pėda.



PASTABA: Netraukite starterio virvės iki pat galo. Nepaleiskite starterio virvės rankenos, kai ji ištraukta. Antraip galima sugadinti gaminį.

Pasižymėkite: Jei variklis sustoja, perkelkite oro sklendės rankenėlę į uždarytą padėtį ir vėl atlikite paleidimo veiksmus.

1. Į kuro bakelį pripilkite švaraus kuro mišinio.
2. Kairiaja ranka laikykite įrenginio korpusą ant grindų. Nenukreipkite pūstuvo galo į žmones, gyvūnus, stiklinius ir vientisus daiktus.
3. 10 kartų lėtai paspauskite kuro siurbliuką.
4. Oro sklendės svirtį perjunkite į padėtį **VISIŠKAI UŽDARYTA**.
5. Paspauskite droselio gaiduką ir laikykite jį nuspausta.
6. Stipriai truketelėkite starterio virvės rankenėlę, kad variklis pradėtų veikti, tačiau taip ją truketelėti galima ne daugiau nei 3 kartus.

Pasižymėkite: Jei temperatūra yra mažesnė nei 4° C (40° F), toliau traukite starterio virvės rankenėlę, kol variklis pradės veikti.

- Variklio sklendės svirtį perjunkite į padėtį PUSIAU UŽDARYTA.
- Staugiai trūktelėkite starterio virvės rankenėlę tol, kol variklis užsives.
- 10 sekundžių palaukite, kol variklis įšils.
- Oro sklendės svirtį perjunkite į padėtį ATIDARYTA.

Šilto variklio užvedimas

- 10 kartų lėtai paspauskite kuro siurbliuką.
- Variklio sklendės svirtį perjunkite į padėtį PUSIAU UŽDARYTA.
- Staugiai trūktelėkite starterio virvės rankenėlę tol, kol variklis užsives.
- Oro sklendės svirtį perjunkite į padėtį ATIDARYTA.

Norėdami užvesti variklį su dujų kamščiu

Dujų kamštis susidaro kai dėl didelio šilumos kiekio degalų linijoje ar karbiuratoriuje garuoja degalai.

Gaminyje gali būti susidaręs dujų kamštis, jei jo nepavyksta užvesti didesnėje negu 35 °C (95 °F) aplinkos temperatūroje ir jis buvo išjungtas 15–45 minutes.

- 10–15 sekundžių spaudinėkite oro šalinimo pūslelę.
- Variklio sklendės svirtį perjunkite į padėtį PUSIAU UŽDARYTA.
- Staugiai trūktelėkite starterio virvės rankenėlę tol, kol variklis užsives.
- Leiskite varikliui sušilti palikdami 3 minutes veikti tuščiaja eiga.
- Oro sklendės svirtį perjunkite į padėtį ATIDARYTA.

Norėdami sustabdyti variklį

- Paspauskite ir atleiskite variklio STOP (išjungimo) jungiklį. Jungiklis automatiškai grįžta į ON padėtį. Prieš bandydami iš naujo paleisti gaminį palaukite 7 sekundes, kad įsitikintumėte, jog jungiklis atsistatė.

VX reguliavimas™ pūstuvo vamzdis

- Sulygiuokite atitinkamas išpjovas (A arba B) ant VX išorinio™ pūstuvo vamzdžio su vidinio vamzdžio briaunele (C). (Pav. 38)

Pasižymėkite: Sumontavus vamzdžius briaunelės nesimato. Pajusite briaunelės vietą judindami išorinį vamzdį.

Pasižymėkite: Nustatykite briaunelę į A padėtį didelei pūstuvo angai. Naudojant didelę pūstuvo angą nupučiami dideli lapų ir kitų nepageidaujamų medžiagų plotai. Nustatykite briaunelę į B padėtį

mažai pūstuvo angai. Pro mažą angą tiekama stipresnė oro srovė, todėl patogų valyti įskilimus, kraštus ir nupūsti sunkesnius daiktus, pvz., šlapius lapus.

- Pasukite išorinį vamzdį kaip parodyta, kad pašalintumėte briaunelę iš išpjovos. (Pav. 39)
- Judinkite išorinį vamzdį ant vidinio vamzdžio, kad pakeistumėte padėtį. (Pav. 40)
- Sukite išorinį vamzdį, kaip parodyta, kol briaunelė bus užfiksuota tinkamos išpjovos gale. (Pav. 41)

Darbinė padėtis

- Pūstuvas (Pav. 42)
- Siurbimas (Pav. 43)

Norint siurbti

Prieš pradėdami siurbimą, pasirūpinkite reikiama saugos įranga.



PERSPĖJIMAS: Prieš naudodami įsitinkinkite, kad surinkimo maišas nepažeistas, o užtrauktukas užtrauktas. Nenaudokite maišo jei jis pažeistas. Taip išvengsite skriejančių atplaišų sukeliama pažeidimų. Atliekant operacijas kairiaja ranka išauga rizika. Nepiršilieskite kūnu prie išleidimo angos srities.



PERSPĖJIMAS: Nepaleiskite pūstuvo, jei įvado dangtelis atidarytas arba pažeistas (nebent pritvirtintas siurbimo vamzdis).

- Dirbant su pūstuvu surinkimo maišas turi kabėti ant peties diržo. Diržas turi būti uždėtas ant peties viršaus.
- Paleiskite pūstuvą. Laikykite instrukcijų, pateikiamų skyriuje „Įjungimas ir išjungimas“ *Užvedimas ir išjungimas psl. 162*. Perskaitykite saugos nurodymus *SAUGA psl. 158*.

Surinkimo maišo ištuštinimas



PERSPĖJIMAS: Visada apžiūrėkite surinkimo maišą. Prieš naudodami įsitinkinkite, kad jis nepažeistas, o užtrauktukas užtrauktas. Nenaudokite pažeisto maišo. Jus gali sužeisti lekiančios šiukšlės. Būkite atsargūs, kai atliekamos operacijos kaire ranka. Nieskite išleidimo angos srities.

- Sustabdykite gaminį.
- Užtraukite šone esantį užtrauktuką.
- Ištuštinkite surinkimo maišą.
- Užtraukite užtrauktuką.

PRIEŽIŪRA



PERSPĒJIMAS: Prieš valydami, taisydami arba prižiūredami gaminį perskaitykite ir supraskite saugos skyrių.

- Pakeiskite kuro filtrą kuro bakelyje.
- Patikrinkite visus laidus ir jungtis.
- Pakeisti uždegimo žvakę
- Pakeiskite oro filtrą.

Priežiūros grafikas

Būtinai vadovaukitės priežiūros grafiku. Priežiūros intervalai apskaičiuojami pagal kasdienį gaminio naudojimą. Intervalai skiriasi, jei gaminio nenaudojate kasdien. Atlikite tik šiame vadove nurodytus priežiūros darbus. Dėl kitų, šiame vadove neminimų priežiūros darbų kreipkitės į patvirtintą techninės priežiūros centrą.

Kasdienė techninė priežiūra

- Nuvalykite išorinius paviršius.
- Ištikinkite greičio valdymo ir akceleratoriaus gaiduko funkciją. Pakeiskite pažeistas dalis.
- Patikrinkite išjungimo jungiklį. Jei būtina, pakeiskite jį.
- Patikrinkite greitį tuščiaja eiga.
- Išvalykite oro filtrą. Jei būtina, pakeiskite jį.
- Įsitinkinkite, ar įleidimo angos dangtelis gali būti užfiksuotas uždarytoje padėtyje. Įsitinkinkite, kad sparnuotė švari.
- Priveržkite visas veržles ir varžtus.
- Patikrinkite gaubtus, ar juose nėra įtrūkimų.
- Įsitinkinkite, kad surinkimo maišas nepažeistas ir nesugadintas užtrauktukas. Jei reikia, pakeiskite maišą.

Savaitinė techninė priežiūra

- Patikrinkite starterio mechanizmo, starterio virvės ir įtempimo spyruoklės būklę. Pakeiskite visas apgadintas dalis.
- Patikrinkite oro įsiurbimo įtaiso ant starterio mechanizmo būklę. Išimkite šiukšles, jei oro įsiurbimo anga užsikimšo.
- Nuvalykite uždegimo žvakės išorinę pusę. Išimkite ją ir patikrinkite tarpą tarp elektrodų. Nustatykite, kad tarpas būtų 6 mm, arba pakeiskite uždegimo žvakę.
- Nuvalykite sparnuotės peilius.
- Nuvalykite kibirkščių sulaikymo tinklėlį ir, jei reikia, pakeiskite jį (netaikoma duslintuvams su katalizatoriumi).
- Nuvalykite karbiuratoriaus zoną.
- Išvalykite oro filtrą

Mėnesinė techninė priežiūra

- Patikrinkite starterio virvės rankenėlę ir starterio virvę.
- Išvalykite kuro baką.
- Išvalykite karbiuratorių ir jo aplinkinę zoną.
- Nuvalykite sparnuotės peilius.
- Patikrinkite, ar kuro žarnelės nesutrūkusios ar kitaip nepažeistos. Jei reikia, pakeiskite

Kasmetinė techninė priežiūra

- Patikrinkite uždegimo žvakę.
- Nuvalykite išorinius karbiuratoriaus paviršius ir aplinkinę zoną.
- Išvalykite aušinimo sistemą.
- Patikrinkite kibirkščių sulaikymo tinklėlį.
- Patikrinkite kuro filtrą.
- Patikrinkite, ar nepažeista kuro žarnelė.
- Patikrinkite visus laidus ir jungtis.

Kas 50 val. atliekama priežiūra

- Patvirtintame techninės priežiūros centre suremontuokite arba pakeiskite duslintuvą.

Greičio tuščiaja eiga reguliavimas

Prieš reguliuodami greitį tuščiaja eiga įsitinkinkite, kad oro filtras švarus, o oro filtro dangtelis pritvirtintas.

Laisvosios eigos apsisukimus reguliuokite koregavimo varžtu.
(Pav. 44)

Greitis tuščiaja eiga yra tinkamas, kai variklis tolygiai veikia visose padėtyse.

1. Norėdami padidinti greitį pasukite greičio tuščiaja eiga reguliavimo varžtą pagal laikrodžio rodyklę.
2. Norėdami sumažinti greitį pasukite greičio tuščiaja eiga reguliavimo varžtą prieš laikrodžio rodyklę.

Kibirkščių sulaikymo tinklelio priežiūra

Valykite kibirkščių sulaikymo tinklėlį vieliniu šepetėliu.

Aušinimo sistemos valymas

Nuvalykite aušinimo sistemos dalis šepetėliu.

Uždegimo žvakės tikrinimas



PASTABA: Visada naudokite rekomenduojamo tipo žvakes. Netinkamo tipo uždegimo žvakė gali pažeisti gaminį.

- Patikrinkite uždegimo žvakę, jei variklio galingumas mažas, jį sunku paleisti arba jis netinkamai veikia tuščiaja eiga.
- Norėdami sumažinti pašalinių medžiagų atsiradimą ant uždegimo žvakės elektrodų, laikykitės šių instrukcijų:

- a) Įsitikinkite, kad tinkamai sureguliuotas greitis tuščiąja eiga.
 - b) Įsitikinkite, kad naudojate tinkamą kuro mišinį.
 - c) Patikrinkite, ar oro filtras yra švarus.
 - Jeigu uždegimo žvakė purvina, nuvalykite ją ir patikrinkite, ar nustatytas tinkamas tarpas tarp elektrodų. Žr. *TECHNINIAI DUOMENYS psl. 165* (Pav. 45)
 - Jei reikia, pakeiskite uždegimo žvakę.
2. Išplaukite oro filtrą šiltame muiluotame vandenyje. Prieš sumontuodami oro filtrą, palaukite, kol jis išdžius.
 3. Pakeiskite oro filtrą, jei jis toks purvinas, kad jo nebeįmanoma išplauti. Visada pakeiskite pažeistą oro filtrą.
 4. Jei gaminyje naudojamas poroloninis oro filtras, naudokite oro filtrų alyvą. Oro filtrų alyvą naudokite tik porolono filtrui. Nenaudokite alyvos veltiniam oro filtrui.

Oro filtro priežiūra

Kaip išvalyti oro filtrą

1. Nuimkite oro filtro dangtelį ir išimkite oro filtrą.

TECHNINIAI DUOMENYS

	gami- nys	GBV 322 (GHB28VPR)	GBV 322VX (GHB28VPR)
Variklio specifikacija			
Cilindro darbinis tūris	cm ³	26	26
Tarpas tarp elektrodų	mm	0,6	0,6
Kuro bakelio tūris	cm ³	500	500
Greitis tuščiąja eiga	min ⁻¹	2800–3200	2800–3200
Didžiausios galios greitis	min ⁻¹	8 000	8 000
Galia	kW	0,8	0,8
Uždegimo žvakė		„Champion RCJ-6Y“	„Champion RCJ-6Y“
Didžiausio greičio pūtimo režimas	min ⁻¹	8 600	8 600
Didžiausio greičio siurbimo režimas	min ⁻¹	–	7500
Išmetalų filtro charakteristikų ilgaamžiškumo laikotarpis	h	50	50
Triukšmo ir vibracijos duomenys			
Atitinkamas vibracijos lygis rankenėlėse su pūstuvo vamzdžiais ir antgaliu (originalus) – žr. 1 pastabą	m/s ²	7,5	7,5
Atitinkamas vibracijos lygis rankenėlėse su siurbimo vamzdžiais ir antgaliu (originalus), kair./dešin. – žr. 1 pastabą	m/s ²	7,4	7,4
Atitinkamas garso slėgio lygis operatoriaus ausims išmatuojamas pagal ISO 22868, įrenginiuose su įtaisytais pūstuvo vamzdžiais ir antgaliu (originalus) – žr. 3 pastabą	dB (A)	95,6	95,6
Triukšmo lygis, garantuotas (L _{WA}) – žr. 2 pastabą	dB (A)	112	112
Triukšmo lygis, išmatuotas – žr. 2 pastabą	dB (A)	109	109
Gaminio matmenys			
Svoris	kg	4.4	4,5

	gaminys	GBV 322 (GHB28VPR)	GBV 322VX (GHB28VPR)
<p>1 pastaba. Pateiktuose atitinkamo vibracijos lygio duomenyse yra 1,5 m/s² tipiška statistinė sklaida (standartinis nuokrypis).</p> <p>2 pastaba. Triukšmas, skleidžiamas į aplinką, išmatuotas kaip garso galia (L_{WA}) pagal EB direktyvą 2000/14/ EB. Pateiktas įrenginio garso stiprumo lygis buvo išmatuotas naudojant didžiausią garsą sukeltantį originalų įtaisą. Skirtumas tarp garantuojamojo ir matuojamojo garso stiprumo yra tas, kad pagal Direktyvą 2000/14/EB garantuojamasis garso stiprumas apima ir matavimo rezultatų sklaidą bei nukrypimus tarp skirtingų to pačio modelio įrenginių.</p> <p>3 pastaba. Pateiktuose duomenyse apie ekvivalentinį įrenginio garso slėgio lygį yra 3 dB (A) tipiška statistinė sklaida (standartinis nuokrypis).</p>			

Ventiliatorius	gaminys	GBV 322	GBV 322VX
Tipas		Radialinis ventiliatorius	Radialinis ventiliatorius
Maksimalus oro greitis, standartinis antgalis	km/h	322	-
Didž. oro greitis, VX™ pūstovo vamzdis*	km/h	-	370
Oro tūris pūtimo režimu	kub. pėdos / min	370	450
Oro tūris siurbimo režimu	kub. pėdos / min	490	490
Mulčio santykis		10:1	16:1
*papildomai įsigijami priedai			

EB ATITIKTIES DEKLARACIJOS TURINYS

Mes, „Husqvarna AB“, SE 561 82 Huskvarna, ŠVEDIJA, savo atsakomybe pareiškiame, kad pateiktas gaminys:

Aprašas	Benzininis pūstovas / pūstovas-siurblys
Gamintojas	„McCulloch“
Platforma / tipas / modelis	Platforma GHB28VPR, atitinkami modeliai GBV 322, GBV 322VX
Partija	Serijos numerių data nuo 2018

visiškai atitinka šias ES direktyvas ir reikalavimus:

Direktyva / reikalavimas	Aprašas
2006/42/EB	„dėl mašinų“

Direktyva / reikalavimas	Aprašas
2014/30/ES	„dėl elektromagnetinio suderinamumo“
2000/14/EB	„dėl triukšmo lauke“

Taikomi darnieji standartai ir (arba) techninės specifikacijos: EN ISO 12100, EN 15503, CISPR 12, ISO 14982

Pagal 2000/14/EB direktyvos V priedą nustatytosios garso vertės pateikiamos šios instrukcijos techninių duomenų skyriuje ir pasirašytoje EB atitikties deklaracijoje.

Bendrovė „TÜV Rheinland N.A.“ atliko neatlygintą tyrimą bendrovės „Husqvarna AB“ vardu ir pateikia EB komisijos 2006/42/EB direktyvos dėl mašinų atitikties sertifikatą.

Šis sertifikatas, kaip nurodyta pasirašytoje EB atitikties deklaracijoje, galioja visoms gamybos vietoms ir kilmės šalims, nurodytoms gaminio etiketėje.

Tiekiamas benzininis pūstuvus / pūstuvus-siurblys atitinka tyrime naudotą pavyzdį.

Saturs

IEVADS.....	168	APKOPE.....	175
DROŠĪBA.....	169	TEHNISKIE DATI.....	176
MONTĀŽA.....	172	ES ATBILSTĪBAS DEKLARĀCIJAS SATURS.....	177
DARBĪBA.....	172		

IEVADS

Lietotāja rokasgrāmata

Šīs lietotāja rokasgrāmatas sākotnējā valoda ir angļu.
Lietotāja rokasgrāmatas citās valodās ir tulkojumi no angļu valodas.

Pārskats

(Att. 1)

1. Plecu sikсна
2. Droseles mēlīte
3. APTURĒŠANAS slēdzis
4. Kruīza kontrole
5. Ventilatora korpus
6. Degvielas tvertnes vāciņš
7. Gaisa filtrs
8. Droseļvārsta vadība
9. Degvielas sūkņis
10. Ieplūdes pārsegs
11. Sūkšanas rokturis
12. Mulčēšanas asmens (GBV 322VX)
13. Ventilatora lāpstīnītenis
14. Apakšējā pūtēja caurule (GBV 322)
15. VX™ pūtēja caurule (GBV 322VX)
16. Augšējā pūtēja caurule
17. Skrūve
18. Trokšņa slāpētājs
19. Zemējuma vads
20. Startera auklas rokturis
21. Startera ierīce
22. Rokturis
23. Kombinētais darbarīks
24. Savākšanas maisa caurule
25. Savākšanas maiss
26. Sūkšanas caurule divās daļās
27. Skrūve
28. Lietošanas rokasgrāmata

Simboli uz izstrādājuma

(Att. 2) Brīdinājums

(Att. 3) Izlasiet šo rokasgrāmatu

(Att. 4) Izmantojiet apstiprinātus galvas aizsarglīdzekļus

(Att. 5) Izmantojiet apstiprinātus dzirdes aizsarglīdzekļus

(Att. 6) Lietojiet apstiprinātus acu aizsarglīdzekļus (ANSI Z87.1 vai līdzvērtīgus)

(Att. 7) Izmantojiet apstiprinātus aizsargapavus un cimds

(Att. 8) Valkājiet garās bikses un apgērību ar piedurknēm

(Att. 9) Nevalkājiet rotaslietas, lietojot pūtēju.

(Att. 10) Izmantojiet skrūvgrieža galu, lai atlaistu fiksatoru.

(Att. 11) Neiesūciet akmeņus, granti, metālu, stikla lauskas, gumijas atgriezumus vai citu materiālu, kas var radīt lāpstīnītena bojājumus.

(Att. 12) Pūtējs var izsviest objektus, radot acu traumas

(Att. 13) Netuvojieties lāpstīnītenim, kad tas griežas

(Att. 14) Aizvērts gaisa vārsts

(Att. 15) Pusatvērts gaisa vārsts

(Att. 16) Atvērts gaisa vārsts

(Att. 17) Garus matus sasieniet, lai tie būtu virs pleciem.

(Att. 18) Drošs attālums

(Att. 19) Noteiktas skaņas jaudas līmenis

(Att. 20) Šis izstrādājums atbilst piemērojamo EK direktīvu prasībām.

(Att. 21) Šis produkts atbilst piemērojamo EAC direktīvu prasībām.

(Att. 22) Šis produkts atbilst piemērojamo Ukrainas direktīvu prasībām.

Piezīme: Pārējie uz izstrādājuma norādītie simboli/uzlīmes attiecas uz citu tirdzniecības nozaru prasībām.

ES V



BRĪDINĀJUMS: Motora atvēršana anulē šī ķēdes zāga ES tipa apstiprinājumu.

DROŠĪBA

Drošības definīcijas

Tālāk sniegtās definīcijas norāda katra signālvārda nozīmīguma līmeni.



BRĪDINĀJUMS: Traumas.



IEVĒROJIET: Izstrādājuma bojājumi.

Piezīme: Šī informācija atvieglo izstrādājuma lietošanu.

Vispārīgi norādījumi par drošību

- Lietojiet izstrādājumu pareizi. Nepareiza lietošana var radīt smagas vai nāvējošas traumas. Izmantojiet izstrādājumu tikai šajā rokasgrāmatā aprakstītajiem darbiem. Nelietojiet izstrādājumu citiem uzdevumiem.
- Ievērojiet šīs rokasgrāmatas norādījumus. Ievērojiet drošības simbolus un drošības instrukcijas. Ja operators neievēro norādījumus un simbolus, var tikt radīti aprikojuma bojājumi, smagas vai nāvējošas traumas.
- Neizmētiēt šo rokasgrāmatu. Izmantojiet norādījumus, lai saiktu, lietu un uzturētu šo izstrādājumu labā stāvoklī. Izmantojiet norādījumus pareizai palīģierīču un piederumu uzstādīšanai. Izmantojiet tikai apstiprinātās palīģierīces un piederumus.
- Nelietojiet bojātu izstrādājumu. Ievērojiet apkopes grafiku. Veiciet tikai tos apkopes darbus, kas aprakstīti šajā rokasgrāmatā. Pārējos apkopes darbus uzticiet pilnvarotam apkopes centram.
- Šī rokasgrāmatā nevar ietver visas situācijas, kas var rasties, izmantojot šo izstrādājumu. Esiet uzmanīgs un saprātīgs. Nelietojiet pūtēju un neveiciet tā apkopi, ja neesat drošs par radušos situāciju. Sazinieties ar izstrādājuma speciālistu,

Atbildība par izstrādājuma kvalitāti

Saskaņā ar likumiem par izstrādājuma kvalitāti mēs neuzņemamies atbildību par bojājumiem, ko radījis mūsu izstrādājums, ja:

- ir veikts nepareizs izstrādājuma remonts;
- izstrādājuma remonts ir veikts, izmantojot detaļas, ko nav nodrošinājis vai apstiprinājis ražotājs;
- izstrādājumam tiek pievienots piederums, ko nav nodrošinājis vai apstiprinājis ražotājs;
- izstrādājuma remonts nav veikts pilnvarotā apkopes centrā vai pie pilnvarota speciālista.

izplātītāju, apkopes pārstāvi vai pilnvarotu apkopes centru, lai saņemtu papildinformāciju.

- Pirms izstrādājuma montāžas, novietošanas uzglabāšanā vai apkopes veikšanas atvienojiet aizdedzes sveces kabeli.
- Neizmantojiet izstrādājumu, ja tā sākotnējā specifikācija ir mainīta. Nemainiet izstrādājuma detaļas bez ražotāja apstiprinājuma. Lietojiet tikai ražotāja apstiprinātas rezerves daļas. Veicot nepareizu apkopi, var tikt radītas smagas vai nāvējošas traumas.
- Neieelpojiet dzinēja radītos izgarojumus. Ilgstoša dzinēja izplūdes gāzu ieelpošana var apdraudēt veselību.
- Nelietojiet izstrādājumu telpās vai ugunsnedrošu materiālu tuvumā. Izplūdes gāzes ir karstas un var saturēt dzirksteli, kas var izraisīt aizdedģanos. Nepietiekama gaisa plūsma var izraisīt savainojumus vai nāvi, nosmokot vai saindējoties ar oglekļa monoksīdu (tvana gāzi).
- Produkta lietošanas laikā tā dzinējs rada elektromagnētisko lauku. Elektromagnētiskais lauks var radīt medicīnisko implantātu bojājumus. Pirms izmantot izstrādājumu, sazinieties ar ārstu vai medicīniskā implantāta ražotāju.
- Neļaujiet bērniem lietot šo izstrādājumu. Neļaujiet izstrādājumu lietot personai, kas nav iepazinusies ar lietošanas norādījumiem.
- Ja izstrādājumu izmanto persona ar samazinātām fiziskajām vai garīgajām spējām, vienmēr uzraugiet šo personu. Tuvumā vienmēr jābūt pieaugušajam.
- Ieslēdziet izstrādājumu vietā, kurai nevar piekļūt bērni un nepiederošas personas.
- Izstrādājums var izsviest objektus un radīt traumas. Ievērojiet drošības instrukcijas, lai samazinātu smagu vai nāvējošu traumu gūšanas risku.
- Neatstājiet izstrādājumu, kad darbojas tā dzinējs.
- Izstrādājuma lietotājs ir atbildīgs par radušos negadījumus.
- Pirms izstrādājuma lietošanas pārliecinieties, vai tā detaļas nav bojātas.

- Pirms pūtēja lietošanas pārliecinieties, vai atrodaties vismaz 15 m (50 pēdu) attālumā no citām personām vai dzīvniekiem. Noslēdziet, vai apkārtējie zina, ka lietošit pūtēju.
- Ievērojiet valsts vai vietējos likumus. Tie var neļaut vai ierobežot izstrādājuma lietošanu noteiktos apstākļos.
- Neizmantojiet šo izstrādājumu, ja esat noguris vai lietojis alkoholu, narkotikas vai medikamentus. Šīs vielas var ietekmēt jūsu redzi, modrību, koordināciju vai spriestspēju.

Drošība saistībā ar vibrācijām

Šis izstrādājums ir paredzēts tikai neregulārai ekspluatācijai. Izstrādājuma ilgstoša vai regulāra lietošana vibrāciju dēļ var izraisīt "balto pirkstu" sindromu vai līdzīgas medicīniskas problēmas. Ja lietojat šo izstrādājumu ilgstoši un regulāri, pārbaudiet roku un pirkstu stāvokli. Ja rokas vai pirksti kļūst bāli, sāp, tirpst vai kļūst nejutīgi, pārtrauciet darbu un nekavējoties sazinieties ar ārstu.

Drošības norādījumi pūtēja lietošanai

- Izmantojiet izstrādājumu tikai uz zemes esošo lapu un neīrurumu pūšanai un savākšanai.
- Neizmantojiet šo izstrādājumu, ja esat noguris, slims vai esat alkohola, narkotiku vai medikamentu ietekmē.
- Neļaujiet apkārt stāvošajiem vai dzīvniekiem atrasties ierīcei tuvāk par 15 m (50 pēdām).
- Ierīce var izsviest objektus lielā ātrumā, kas rīkošeta var trāpīt operatoram. Tādējādi var tikt radīta acu trauma.
- Nevērsiet pūtēja sprauslu cilvēku vai dzīvnieku virzienā.
- Garus matus sasieniet, lai tie būtu virs pleciem.
- Pirms piederumu vai citu sastāvdaļu pievienošanas vai atvienošanas izslēdziet dzinēju.
- Nelietojiet izstrādājumu bez aizsarga.
- Nelietojiet izstrādājumu, ja darba zonā atrodas citas personas. Pārtrauciet lietot izstrādājumu, ja darba zonā ienāk cita persona.
- Neizmantojiet izstrādājumu vietā ar nepietiekamu ventilāciju. Nepietiekama gaisa plūsma var radīt traumu vai nāvi, nosmokot vai saindējoties ar oglekļa monoksīdu (tvana gāzi).
- Trokšņa slāpētājs ir karsts, ierīcei darbojoties, pēc tās apturēšanas, gan arī darbojoties tukšgaitas ātrumā. Esiet uzmanīgs, atrodoties ugunsnedrošu materiālu un ugunsnedrošu tvaiku tuvumā.
- Nepieskarieties ieplūdes pārsega vietai. Sargieties, lai ieplūdes vietai netuvotos jūsu rotaslietas vai valīgs apģērbs.
- Vienmēr stāviet stabili un lietojiet izstrādājumu tikai uz drošām un līmeniskām virsmām. Slidenas vai nestabilas virsmas, piemēram, kāpnes, var izraisīt līdzsvara vai kontroles zudumu.

- Nelietojiet izstrādājumu augstumā, piemēram, uz jumta.
- Pārvadāšanas laikā nostipriniet izstrādājumu.
- Lietojiet izstrādājumu tikai ieteicamajā darba laikā. Ievērojiet vietējos noteikumus. Parasti ieteicams strādāt no pirmdienas līdz sestdienai laikā no 9:00 līdz 17:00.
- Darbiniet izstrādājumu ar pēc iespējas mazāk atvērtu droseli.
- Gādājiet, lai jūs nepakristu, lietojot izstrādājumu. Nepieliecieties izstrādājuma lietošanas laikā.
- Pirms lietošanas pārbaudiet, vai izstrādājums ir labā stāvoklī, it īpaši trokšņa slāpētājs, gaisa ieplūdes sistēma un gaisa filtrs.
- Pirms izstrādājuma lietošanas ar slotu vai suku izkustiniet grūzus.
- Ja darba vieta ir neīra, apsmidziniet to ar ūdeni, izmantojot šļūteni.
- Izmantojiet izstrādājumu kā alternatīvu šļūtenei, lai taupītu ūdeni.
- Droši aizpūtiēt grūzus. Uzmaniēties no bērniem, dzīvniekiem, atvērtiem logiem un transportlīdzekļiem.
- Nevērsiet izstrādājumu pret trausliem augiem.
- Nepūtiēt gaisu pret sienām, lieliem akmeņiem, transportlīdzekļiem un žogiem.
- Ja tīrīt iekšējos stūrus, pūtiēt no stūra un tad uz darba vietas centru. Pretējā gadījumā neīrurumi var trāpīt jūsu sejai un radīt acu traumu.
- Izmantojiet pilnu sprauslas pagarinājumu, lai gaisa plūsma turētos zemes tuvumā.
- Izmantojiet pilnu sprauslas pagarinājumu, lai gaisa plūsma turētos zemes tuvumā.
- Pēc izstrādājuma lietošanas izmetiet savāktos neīrurus atkritumu urnās.

Drošības norādījumi saistībā ar sūcēja lietošanu

- Nepieļaujiet ventilatora bojājumu rašanos. Neiesūciēt lielus, cietus objektus, piemēram, koka gabalus, skārdenes, gumijas mulču vai garus stieples gabalus.
- Neļaujiet sūcēja caurulei atsisties pret zemi.
- Apturiet dzinēju un atvienojiet aizdedzes sveces uzgali pirms likvidēt nosprostoju vai izņemt iestrēgušu materiālu.

Individuālais aizsargaprīkojums

- Lietojot izstrādājumu, vienmēr izmantojiet atbilstošu individuālais drošības aprīkojumu. Individuālais drošības aprīkojums neizslēdz savainojumu risku. Individuālais drošības aprīkojums samazina negadījuma rezultātā radušos savainojumu smagumu.
- Strādājot ar produktu, vienmēr izmantojiet atbilstošu acu aizsarglīdzekļus.
- Nestrādājiet ar produktu basām kājām vai sandalēs. Vienmēr velciet darba apavus ar neslīdošām zolēm.
- Velciet izturīgas garās bikses.

- Ja nepieciešams, izmantojiet atbilstošus aizsargcimdus.
- Ja pastāv iespēja, ka uz galvas var krist objekti, izmantojiet ķiveri.
- Lietojot izstrādājumu, vienmēr izmantojiet atbilstošus ausu aizsarglīdzekļus. Ilgstošs troksnis var izraisīt dzirdes zudumu.
- Lietojot izstrādājumu puteklainā vidē, vienmēr lietojiet apstiprinātu putekļu masku.
- Pārlicinieties, vai tuvumā atrodas pirmās palīdzības sniegšanas komplekts.

Izstrādājuma aizsargierīces

- Regulāri veiciet izstrādājuma apkopi.
 - Tiek pagarināts izstrādājuma darbūmžs.
 - Tiek samazināts negadījumu risks.

Ļaujiet pilnvarotam izplatītājam vai pilnvarotam apkopes centram regulāri pārbaudīt izstrādājumu, lai veiktu regulēšanu vai remontu.

- Neizmantojiet izstrādājumu, ja ir bojāts drošības aprīkojums. Ja izstrādājums ir bojāts, sazinieties ar pilnvarotu apkopes centru.

Apturēšanas slēdzis

Iedarbiniet dzinēju. Pārlicinieties, vai, pārslēdzot apturēšanas slēdzi apturēšanas stāvoklī, dzinējs apstājas.

Trokšņa slāpētājs



BRĪDINĀJUMS: Nepieskarieties karstam trokšņa slāpētājam. Trokšņa slāpētājs ir ļoti karsts dzinēja darbības laikā un pēc tā apturēšanas. Pieskaroties trokšņa slāpētājam, varat apdedzināties.

- Neizmantojiet dzinēju, kura trokšņa slāpētājs ir bojāts. Bojāts trokšņa slāpētājs palielina trokšņa līmeni un aizdegšanās risku. Turiet tuvumā ugunsdzēsamo aparātu.
- Regulāri pārbaudiet izstrādājumam pievienoto trokšņa slāpētāju.
- Nepieskarieties dzinējam vai trokšņa slāpētājam, kad dzinējs darbojas. Nepieskarieties dzinējam vai trokšņa slāpētājam vēl brīdi pēc dzinēja apturēšanas. Karstas virsmas var izraisīt savainojumus.
- Karsts trokšņa slāpētājs var radīt aizdegšanos. Esiet uzmanīgs, ja izmantojat izstrādājumu uzliesmojošu šķidrums vai tvaiku tuvumā.
- Nepieskarieties trokšņa slāpētāja detaļām, ja trokšņa slāpētājs ir bojāts. Detaļas var saturēt kancerogēnas ķīmikālijas.
- Dažiem pūtēja modeļiem ir dzirksteļu uztvērēja režģis. Tīriet un nomainiet to norādītajos intervālos. Skatiet sadaļu Apkope (*APKOPE lpp. 175*).

Drošības norādījumi, rīkojoties ar degvielu

- Nelietojiet izstrādājumu, ja uz tā ir degviela vai dzinēja eļļa. Notīriet nevēlamo degvielu/eļļu un ļaujiet izstrādājumam nožūt. Notīriet no izstrādājuma nevēlamo degvielu.
- Ja degviela ir nokļuvusi uz apģērba, nekavējoties pārģērbieties.
- Neļaujiet degvielai nonākt uz ķermeņa, jo tā var izraisīt savainojumus. Ja degviela ir nonākusi uz ķermeņa, izmantojiet ziepes un ūdeni, lai to nomazgātu.
- Neiedarbiniet dzinēju, ja uz izstrādājuma vai jūsu ķermeņa ir izlijusi eļļa vai degviela.
- Nelietojiet izstrādājumu, ja dzinējā ir sūce. Regulāri pārbaudiet, vai dzinējam nav radusies sūce.
- Rīkojoties ar degvielu, esiet uzmanīgs. Degviela ir viegli uzliesmojoša, tās tvaiki ir sprādzienbīstami, un var izraisīt savainojumus vai nāvi.
- Neieelpojiet degvielas tvaikus, jo tie var izraisīt savainojumus. Pārlicinieties, vai gaisa plūsma ir pietiekama.
- Nesmēķējiet degvielas vai dzinēja tuvumā.
- Nenovietojiet siltus objektus degvielas vai dzinēja tuvumā.
- Nepievienojiet degvielu dzinēja darbības laikā.
- Pirms degvielas uzpildes pārlicinieties, vai dzinējs ir atdzisis.
- Pirms uzpildes lēni atveriet degvielas tvertnes vāciņu un uzmanīgi izlaidiet spiedienu.
- Neveiciet dzinēja degvielas uzpildi telpās. Nepietiekama gaisa plūsma var izraisīt savainojumus vai nāvi, nosmokot vai saindējoties ar ogļekļa monoksīdu (tvana gāzi).
- Rūpīgi pievelciet degvielas tvertnes vāciņu, lai neizraisītu aizdegšanos.
- Pirms iedarbināšanas pārvietojiet izstrādājumu vismaz 3 m (10 pēdu attālumā) no vietas, kur veicāt uzpildi.
- Neļaujiet degvielas tvertnē pārāk daudz degvielas.
- Pārlicinieties, vai, pārvietojot izstrādājumu vai degvielas tvertni, nerodas sūce.
- Nenovietojiet izstrādājumu vai degvielas tvertni vietā, kur ir atklāta uguns, dzirksteles vai signāllampīņas. Pārlicinieties, vai uzglabāšanas vietā nav atklāta uguns.
- Degvielas pārvietošanai un uzglabāšanai izmantojiet tikai tam paredzētas tvertnes.
- Pirms ilgstošas uzglabāšanas iztukšojiet degvielas tvertni. Ievērojiet vietējos noteikumus par atbrīvošanos no degvielas.
- Pirms ilgstošas uzglabāšanas notīriet izstrādājumu.
- Pirms izstrādājuma novietošanas glabāšanā izņemiet aizdedzes sveici, lai nodrošinātu, ka dzinējs nejausi neieslēdzas.

Norādījumi par drošu apkopi



BRĪDINĀJUMS: Nepareizas apkopes dēļ var tikt būtiski bojāts dzinējs vai rasties smaga trauma.

Izstrādājuma īpašnieks ir atbildīgs par visas nepieciešamās apkopes veikšanu, kā norādīts lietotāja rokasgrāmatā. Pirms apkopes atvienojiet aizdedzes sveci. Neatvienojiet aizdedzes sveci pirms karburatora regulēšanas.

MONTĀŽA



BRĪDINĀJUMS: Pirms izstrādājuma montāžas iepazīstieties ar drošības norādījumiem.

Augšējās pūtēja caurules uzstādīšana

1. Salāgojiet augšējās pūtēja caurules rievu (A) ar pūtēja izvada izcilni (B). (Att. 23)
2. Uzbīdīet augšējo pūtēja cauruli pilnībā uz pūtēja izvada.
3. Grieziet augšējo pūtēja cauruli, līdz atvere caurulē salāgojas ar uzgriežņa vītņiem pūtēja izvadā. (Att. 24)
4. Ievietojiet skrūvi (C). (Att. 25)
5. Ar skrūvgriezi grieziet skrūvi pulksteņrādītāju kustības virzienā, lai nostiprinātu cauruli.

Apakšējās pūtēja caurules uzstādīšana

1. Salāgojiet apakšējās pūtēja caurules rievās (A) ar augšējās pūtēja caurules izcilņiem (B). (Att. 26)
2. Pilnībā uzbīdīet apakšējo pūtēja cauruli uz augšējās pūtēja caurules.
3. Grieziet apakšējo pūtēja cauruli, līdz izcilnis ievietojas rievās galā. (Att. 27)

VX™ pūtēja caurules uzstādīšana

1. Salāgojiet VX™ pūtēja caurules rievās (A) ar augšējās pūtēja caurules izcilņiem (B). (Att. 28)
2. Uzbīdīet VX™ pūtēja cauruli pilnībā uz augšējās pūtēja caurules.
3. Grieziet VX™ pūtēja cauruli, līdz izcilnis ievietojas rievās galā. (Att. 29)

Augšējās sūkšanas caurules uzstādīšana

1. Ievietojiet skrūvgrieža galu sūkšanas ievades atveres fiksatora zonā. (Att. 30)

2. Nedaudz sasveriet skrūvgrieža rokturi virzienā uz pūtēja priekšu, lai atlaistu fiksatoru.
3. Turiet sūkšanas iepilūdes pārsegu atvērtu, līdz augšējā sūkšanas caurule ieņem paredzēto vietu. (Att. 31)
4. Salāgojiet sūkšanas ievades rievās iekšpusē esošo ribu ar augšējās sūkšanas caurules rievām.

Piezīme: Salāgojiet rādītājus pie sūkšanas ievades atvērums ar augšējo sūkšanas cauruli.

5. Iespiediet augšējo sūkšanas cauruli līdz galam sūkšanas ievades atverē.
6. Grieziet augšējo sūkšanas cauruli pulksteņrādītāju kustības virzienā līdz galam, līdz atskan klikšķis. (Att. 32)

Apakšējās sūkšanas caurules uzstādīšana

1. Salāgojiet apakšējās sūkšanas caurules rievu ar augšējās sūkšanas caurules izcilni.
2. Uzbīdīet apakšējo sūkšanas cauruli pilnībā uz augšējās sūkšanas caurules, līdz izcilnis ievietojas rievās galā. (Att. 33)
3. Ievietojiet skrūvi.
4. Ar skrūvgriezi grieziet skrūvi pulksteņrādītāju kustības virzienā, lai nostiprinātu cauruli. (Att. 34)

Savākšanas maisa caurules uzstādīšana

1. Salāgojiet savākšanas maisa caurules rievu (A) ar pūtēja izvada izcilni (B). (Att. 35)
2. Uzbīdīet savākšanas maisa cauruli pilnībā uz pūtēja izvada.
3. Grieziet savākšanas maisa cauruli, līdz atvere caurulē salāgojas ar uzgriežņa vītņiem pūtēja izvadā. (Att. 36)
4. Ievietojiet skrūvi (C).
5. Ar skrūvgriezi grieziet skrūvi pulksteņrādītāju kustības virzienā, lai nostiprinātu cauruli. (Att. 37)

DARBĪBA



BRĪDINĀJUMS: Pirms izstrādājuma lietošanas izlasiet un izprotiet drošības norādījumus.

Degviela

Degvielas izmantošana



IEVĒROJIET: Šim izstrādājumam ir divtaktu dzinējs. Izmantojiet benzīna un divtaktu dzinēja eļļas maisījumu. Pārļiecinieties, vai maisījumā ir pareizs daudzums eļļas. Nepareiza benzīna un eļļas proporcija var radīt dzinēja bojājumus.

Benzīns



IEVĒROJIET: Neizmantojiet benzīnu, kura oktānskaitlis ir mazāks par 90 RON (87 AKI). Pretējā gadījumā produkts var tikt bojāts.



IEVĒROJIET: Neizmantojiet benzīns, kurā etanola koncentrācija pārsniedz 10% (E10). Pretējā gadījumā produkts var tikt bojāts.

- Vienmēr izmantojiet nelietotu bezsvina benzīnu ar oktānskaitli, kas nav mazāks par 90 RON (87 AKI) un kura etanola koncentrācija nepārsniedz 10% (E10).
- Ja bieži lietojat produktu ar ilgstošiem augstiem motora apgriezieniem, izmantojiet benzīnu ar augstāku oktānskaitli.

Divu ciklu motoreļļa

- Izmantojiet tikai augstas kvalitātes divu ciklu motoreļļu. Izmantojiet tikai motoreļļu ar gaisa dzesēšanu.
- Neizmantojiet citu veidu eļļas.
- Maisījuma proporcija 50:1 (2%)

Benzīns	Eļļa
1 ASV galons	77 ml (2,6 unces)
1 AK galons	95 ml (3,2 unces)
5 l	100 ml (3,4 unces)

Degvielas maisījuma izveide

Piezīme: Degvielas maisījuma izveidei vienmēr izmantojiet tīru degvielas konteineru.

Piezīme: Veidojiet degvielas maisījumu, kas nepieciešams ne vairāk kā 30 dienām.

1. Pievienojiet pusi no nepieciešamā benzīna.
2. Pievienojiet visu daudzumu eļļas.
3. Sakratiet degvielas maisījumu, lai sajauktu sastāvdaļas.
4. Pievienojiet atlikušo benzīnu.

5. Sakratiet degvielas maisījumu, lai sajauktu sastāvdaļas.

6. Uzpildiet degvielas tvertni.

Degvielas pievienošana

- Vienmēr izmantojiet degvielas konteineru ar aizsargapriekojumu pret pārplūšanu.
- Ja konteinerā paliek degviela, iztukšojiet to un ļaujiet konteineram izžūt.
- Pārļiecinieties, vai vieta ap degvielas tvertnes vāciņu ir tīra.
- Pirms degvielas maisījuma uzpildes degvielas tvertnē sakratiet degvielas konteineru.

Ieslēgšana un izslēgšana

Pirms dzinēja iedarbināšanas

- Pārbaudiet, vai izstrādājumam nav trūkstošas, bojātas, vaļīgas vai nolietotas detaļas.
- Pārbaudiet savākšanas maisu. Pārļiecinieties, vai savākšanas maiss nav bojāts un rāvējslēdzējs ir aizvilkts.
- Pārbaudiet uzgriežņus un skrūves.
- Pārbaudiet gaisa filtru.
- Pārbaudiet, vai droseles mēlīte darbojas pareizi.
- Pārbaudiet, vai apturēšanas slēdzis darbojas pareizi.
- Pārbaudiet, vai izstrādājumā nav degvielas noplūdes.

Auksta dzinēja iedarbināšana



BRĪDINĀJUMS: Netiniet startera auklu ap roku.



IEVĒROJIET: Neturiet izstrādājuma ar kāju.



IEVĒROJIET: Nevelciet startera auklu līdz galam. Neatļaidiet startera auklas rokturi, kad aukla izvilkta. Pretējā gadījumā izstrādājums var tikt bojāts.

Piezīme: Ja dzinējs apstājas, pārvietojiet droselvārsta vadības elementu aizvēršanas stāvoklī un vēlreiz veiciet iedarbināšanu.

1. Uzpildiet degvielas tvertni ar tīru degvielas maisījumu.
2. Ar kreiso roku turiet ierīces korpusu pie zemes. Pārļiecinieties, vai pūtēja gals ir vērsts prom no cilvēkiem, dzīvniekiem, stikla un smagiem priekšmetiem.
3. Lēni 10 reizes nospiediet uzpildes sūkni.

- Pārvietojiet droseles sviru aizvērtā stāvoklī FULL CHOKE.
- Nospiediet un turiet droseles mēlīti
- Strauji paraujiet startera auklas rokturi (ne vairāk par 3 reizēm), līdz dzinējs sāk darboties.

Piezīme: Ja temperatūra ir zemāka par 4 °C (40 °F), turpiniet viikt auklas rokturi, līdz dzinējs sāk darboties.

- Pārvietojiet gaisa vārsta sviru pusatvērtā stāvoklī HALF CHOKE.
- Strauji paraujiet startera auklas rokturi, līdz dzinējs sāk darboties.
- Ļaujiet dzinējam darboties 10 sekundes.
- Pārvietojiet gaisa vārsta sviru atvērtā stāvoklī NO CHOKE.

Silta dzinēja iedarbināšana

- Lēni 10 reizes nospiediet uzpildes sūkni.
- Pārvietojiet gaisa vārsta sviru pusatvērtā stāvoklī HALF CHOKE.
- Strauji paraujiet startera auklas rokturi, līdz dzinējs sāk darboties.
- Pārvietojiet gaisa vārsta sviru atvērtā stāvoklī NO CHOKE.

Dzinēja iedarbināšana ar izgarojumu bloķēšanu

Izgarojumu bloķēšana notiek, kad degviela degvielas līnijā vai karburatorā iztvaiko palielināta karstuma dēļ.

Izstrādājumam var būt izgarojumu bloķēšana, ja tas netiek atkārtoti iedarbināts apkārtējās vides temperatūrā, kas pārsniedz 35 °C (95 °F) un ir bijis izslēgts 15–45 minūtes.

- 10–15 sekundes atkārtoti nospiediet atgaisošanas sūkņa pūslīti.
- Pārvietojiet gaisa vārsta sviru pusatvērtā stāvoklī HALF CHOKE.
- Strauji paraujiet startera auklas rokturi, līdz dzinējs sāk darboties.
- Ļaujiet dzinējam uzsilt 3 minūtes ar brīvgaitsu apgriezīgu skaitu.
- Pārvietojiet gaisa vārsta sviru atvērtā stāvoklī NO CHOKE.

Dzinēja apturēšana

- Nospiediet un atlaidiet dzinēja APTURĒŠANAS slēdzi. Slēdzis automātiski pārslēgsies atpakaļ IESLĒGŠANAS stāvoklī. Uzgaidiet 7 sekundes un tad mēģiniet pārstārtēt izstrādājumu, lai panāktu slēdža atiestāti.

VX™ pūtēja caurules regulēšana

- Salāgojiet ārējās VX pūtēja caurules attiecīgo rievu (A vai B)™ ar iekšējās caurules izcilni (C). (Att. 38)

Piezīme: Kad caurules ir samontētas, izcilni nevar redzēt. Izcilņa novietojumu var konstatēt, pārvietojot ārējo cauruli.

Piezīme: Fiksējiet izcilni stāvoklī "A", lai panāktu lielāku pūtēja atvērumu. Lielāks pūtēja atvērums ļauj pārvietot lielāku sausu lapu un cita nevēlama materiāla apjomu. Fiksējiet izcilni stāvoklī "B", lai iestatītu mazāku pūtēja atvērumu. Mazāks pūtēja atvērums palielina gaisa plūsmas ātrumu, lai iztīrītu plaisas un malas, kā arī pārvietot smagu materiālu, piemēram, mitras lapas.

- Grieziet ārējo cauruli, kā parādīts, lai atvienotu izcilni no rievās. (Att. 39)
- Pārvietojiet ārējo cauruli gar iekšējo cauruli, lai mainītu stāvokli. (Att. 40)
- Grieziet ārējo cauruli, kā parādīts, līdz izcilnis pilnībā fiksējas pareizās rievās galā. (Att. 41)

Darba stāvoklis

- Pūtējs (Att. 42)
- Sūkšana (Att. 43)

Sūkšana

Pirms sūkšanas uzlieciet nepieciešamo drošības aprīkojumu.



BRĪDINĀJUMS: Pirms ierīces lietošanas pārliecinieties, vai savākšanas maiss nav bojāts un rāvējslēdzējs ir aizvilktis. Nelietojiet bojātu maisu. Tādējādi tiks novērsta traumas, ko rada lidojoši netīrumi. Strādājot ar kreiso roku, apdraudējums palielinās. Neļaujiet ķermenim saskarties ar izplūdes gāzu izvades daļu.



BRĪDINĀJUMS: Neieslēdziet pūtēju, ja ir atvērts vai bojāts ievades pārsegss (izņemot gadījumu, kad ir uzstādīta sūkšanas caurule).

- Lietojot pūtēju, savākšanas maiss jāpiekabina plecu siksnai. Siksnai jābūt uz pleca.
- Ieslēdziet pūtēju. Ievērojiet ieslēgšanas un apturēšanas sadaļas norādījumus *Ieslēgšana un izslēgšana lpp. 173*. Izlasiet drošības instrukcijas *DROŠĪBA lpp. 169*.

Savākšanas maisa iztukšošana



BRĪDINĀJUMS: Vienmēr pārbaudiet savākšanas maisu. Pirms ierīces lietošanas pārliecinieties, vai maiss nav bojāts un

rāvējslēdzējs ir aizvilktis. Nelietojiet bojātu maisu. Lidojoši netīrumi var radīt traumas. Esiet uzmanīgs, strādājot ar kreiso roku. Nepieskarieties izplūdes gāzu izvades vietai.

1. Apturiet ierīci.
2. Atveriet maisa sānu rāvējslēdzēju.
3. Iztukšojiet savākšanas maisu.
4. Aizvelciet rāvējslēdzēju.

APKOPE



BRĪDINĀJUMS: Pirms tīrīt, remontēt un apkopt zāģi, izlasiet un izprotiet drošības sadaļu.

Apkopes grafiks

Obligāti ievērojiet apkopes grafiku. Intervāli tiek aprēķināti atbilstoši izstrādājuma ikdienas lietošanai. Ja nelietojat izstrādājumu katru dienu, intervāli ir atšķirīgi. Veiciet tikai tos apkopes darbus, kas minēti šajā rokasgrāmatā. Lai veiktu apkopes darbus, kas nav minēti šajā rokasgrāmatā, sazinieties ar pilnvarotu apkopes centru.

Ikdienas apkope

- Notīriet ārējās virsmas.
- Pārbaudiet apgriezīgu skaita vadības elementa un droseles mēlītes darbību. Nomainiet bojātās daļas.
- Pārbaudiet apturēšanas slēdzi. Ja nepieciešams, nomainiet to.
- Pārbaudiet tukšgaitas apgriezīgu skaitu.
- Iztīriet gaisa filtru. Ja nepieciešams, nomainiet to.
- Pārbaudiet, vai ieplūdes pārsegu var fiksēt aizvēršanas stāvoklī. Pārļiecinieties, vai lāpstīnrats ir tīrs.
- Pievelciet visus uzgriežņus un skrūves.
- Pārbaudiet, vai korpusos nav plaisu.
- Pārļiecinieties, vai savākšanas maiss nav bojāts un rāvējslēdzējs darbojas. Ja nepieciešams, nomainiet maisu.

Iknedējas apkope

- Pārbaudiet startera ierīces, startera auklas un spriegojuma atsperes stāvokli. Nomainiet visas bojātās detaļas.
- Pārbaudiet gaisa ieplūdi pie startera ierīces. Ja gaisa ieplūdes vieta ir nosprostojusies, attīriet to.
- Notīriet aizdedzes sveces ārpusi. Izņemiet sveci un pārbaudiet atstatumu starp elektrodiem. Noregulējiet atstatumu līdz 6 mm (0,024 collām) vai nomainiet aizdedzes sveci.
- Notīriet lāpstīnrata lāpstīnas.
- Iztīriet dzirksteļu uztvērēja režģi un, ja nepieciešams, nomainiet to (neattiecas uz trokšņa slāpētāju ar katalītisko pārveidotāju).
- Notīriet karburatoru un vietu ap to.
- Iztīriet gaisa filtru.

Ikmēneša apkope

- Pārbaudiet startera auklas rokturi un startera auklu.

- Iztīriet degvielas tvertni.
- Notīriet karburatoru un vietu ap to.
- Notīriet lāpstīnrata lāpstīnas.
- Pārbaudiet, vai degvielas pievadi nav iepļaisājuši vai kā citādi bojāti. Ja nepieciešams, nomainiet.
- Nomainiet degvielas filtru degvielas tvertnē.
- Pārbaudiet visus kabelus un savienojumus.
- Nomainiet aizdedzes sveci.
- Nomainiet gaisa filtru.

Ikgadēja apkope

- Pārbaudiet aizdedzes sveci.
- Notīriet karburatora korpusu un vietu ap karburatoru.
- Iztīriet dzesēšanas sistēmu.
- Pārbaudiet dzirksteļu uztvērēja režģi.
- Pārbaudiet degvielas filtru.
- Pārbaudiet, vai nav radušies degvielas šļūtenes bojājumi.
- Pārbaudiet visus kabelus un savienojumus.

Apkope pēc 50 darba stundām

- Apmeklējiet pilnvarotu apkopes centru, lai veiktu slāpētāja remontu vai nomaiņu.

Tukšgaitas apgriezīgu skaita regulēšana

Pirms tukšgaitas apgriezīgu skaita regulēšanas pārļiecinieties, vai gaisa filtrs ir tīrs un ir piestiprināts gaisa filtra pārsegs.

Regulējiet tukšgaitas apgriezīgu skaitu ar tukšgaitas regulēšanas skrūvi.

(Att. 44)

Tukšgaitas apgriezīgu skaits ir pareizs, ja dzinējs vienmērīgi darbojas visos režīmos.

1. Griezt tukšgaitas regulēšanas skrūvi pulksteņrādītāju kustības virzienā, lai iestatītu lielāku apgriezīgu skaitu.
2. Griezt tukšgaitas regulēšanas skrūvi pretēji pulksteņrādītāju kustības virzienam, lai iestatītu mazāku apgriezīgu skaitu.

Dzirksteļu uztvērēja režģa apkope

Ar metāla suku iztīriet dzirksteļu uztvērēja režģi.

Dzesēšanas sistēmas tīrīšana

Notīriet dzesēšanas sistēmas daļas ar suku.

Aizdedzes sveces pārbaude



IEVĒROJIET: Vienmēr lietojiet ieteikto aizdedzes sveces tipu. Nepiemērota aizdedzes svece var radīt izstrādājuma bojājumus.

- Pārbaudiet aizdedzes sveci, ja dzinējam nepietiek jaudas, dzinēju nevar viegli iedarbināt vai arī tas nedarbojas pareizi tukšgaitā.
- Lai samazinātu nevēlamu materiālu uzkrāšanos uz aizdedzes sveces elektrodiem, ievērojiet turpmākos norādījumus.
 - a) Pārlicinieties, vai tukšgaitas apgriezienu skaits ir noregulēts pareizi.
 - b) Pārlicinieties, vai degvielas maisījums ir atbilstošs.
 - c) Pārlicinieties, vai gaisa filtrs ir tīrs.
- Ja aizdedzes svece ir netīra, notīriet to un pārbaudiet, vai atstatums starp elektrodiem ir

pareizs. Skatiet šeit: *TEHNISKIE DATI* (pp. 176. (Att. 45)

- Nepieciešamības gadījumā nomainiet aizdedzes sveci.

Gaisa filtra apkope

Gaisa filtra tīrīšana

1. Noņemiet gaisa filtra pārsegu un izņemiet gaisa filtru.
2. Izīriet gaisa filtru ar siltu ziepjūdeni. Pirms uzstādīšanas pārlicinieties, vai gaisa filtrs ir sauss.
3. Nomainiet gaisa filtru, ja tas ir pārāk netīrs, lai to pilnībā notīrītu. Vienmēr nomainiet bojātu gaisa filtru.
4. Ja izstrādājumam ir putu polistirola filtrs, ieeļļojiet to ar gaisa filtra eļļu. Gaisa filtra eļļu izmantojiet tikai putu polistirola filtram. Nelietojiet eļļu filca filtram.

TEHNISKIE DATI

	Mērvienība	GBV 322 (GHB28VPR)	GBV 322VX (GHB28VPR)
Dzinēja tehniskie dati			
Cilindra darba tilpums	cm ³	26	26
Elektrodu atstarpe	mm	0,6	0,6
Degvielas tvertnes tilpums	cm ³	500	500
Apgriezienu skaits tukšgaitā	min ⁻¹	2800–3200	2800–3200
Maks. apgriezienu skaits	min ⁻¹	8000	8000
Jauda	kW	0,8	0,8
Aizdedzes svece		Champion RCJ-6Y	Champion RCJ-6Y
Maksimāla ātruma pūšanas režīms	min ⁻¹	8600	8600
Maksimāla ātruma sūkšanas režīms	min ⁻¹	--	7500
Emisiju noturības periods	h	50	50
Trokšņa un vibrācijas līmeņa dati			
Līdzvērtīgs vibrācijas līmenis pie rokturiem, kas aprīkoti ar pūtēja caurulēm un sprauslu (oriģinālu) — skatiet 1. piezīmi.	m/s ²	7,5	7,5
Līdzvērtīgs vibrācijas līmenis pie rokturiem, kas aprīkoti ar sūkšanas caurulēm (oriģinālām), kreisajā/labajā pusē — skatiet 1. piezīmi.	m/s ²	7,4	7,4
Līdzvērtīgs skaņas spiediens pie operatora auss, kas mērīts saskaņā ar standartu ISO 22868, uzstādītās pūtēja caurules un sprausla (oriģināla) — skatiet 3. piezīmi.	dB (A)	95,6	95,6

	Mērvienība	GBV 322 (GHB28VPR)	GBV 322VX (GHB28VPR)
Skaņas jaudas līmenis, garantētais (L_{WA}) — skatiet 2. piezīmi	dB (A)	112	112
Skaņas jaudas līmenis, izmērītais — skatiet 2. piezīmi	dB (A)	109	109
Izstrādājuma izmēri			
Svars	kg	4,4	4.5
<p>1. piezīme. Sniegtajos datos par ekvivalentu vibrācijas līmeni ir tipiska $1,5 \text{ m/s}^2$ statistiskā izkliede (standarta novirze).</p> <p>2. piezīme. Atbilstoši EK direktīvai 2000/14/EK trokšņa emisija apkārtne ir mērīta kā skaņas jauda (L_{WA}). Aparāta skaņas intensitātes līmenis ir izmērīts ar oriģinālu piestiprinājumu, kas veic darbu augstākajā līmenī. Atšķirība starp garantēto un izmērīto skaņas intensitātes līmeni ir tāda, ka garantētā skaņas intensitātes līmeņa mērījumu rezultāts ietver arī izkliedi mērījuma rezultātā un atšķirības dažādām tā paša modeļa ierīcēm, kas atbilst direktīvai 2000/14/EK.</p> <p>3. piezīme. Sniegtajos datos par ekvivalenta skaņas spiediena līmeni ierīcei ir tipiska statistiskā 3 dB (A) izkliede (standartnovirze).</p>			

Ventilators	Mērvienība	GBV 322	GBV 322VX
Tips		Radiāls ventilators	Radiāls ventilators
Maks. gaisa kustības ātrums, standarta sprausla	km/h	322	-
Maksimālais gaisa ātrums, VX™ pūtēja caurule*	km/h	-	370
Gaisa tilpums pūšanas režīmā	cfm	370	450
Gaisa tilpums sūkšanas režīmā	cfm	490	490
Mulčēšanas apjoms		10:1	16:1
* Papildu piederums			

ES ATBILSTĪBAS DEKLARĀCIJAS SATURS

Ar šo mēs, Husqvarna AB, SE 561 82 Huskvarna, ZVIEDRIJĀ, ar pilnu atbildību apņemas, ka šis izstrādājums:

Apraksts	Benzīna pūtējs/pūtējs-sūcējs
Zīmols	McCulloch
Platforma/tips/modelis	Platforma GHB28VPR, at- tīecas uz modeli GBV 322, GBV 322VX
Partija	Sērijas numurs, sākot no 2018

pilnībā atbilst šādām ES direktīvām un noteikumiem:

Direktīva/regula	Apraksts
2006/42/EK	par mašīnām
2014/30/EK	par elektromagnētisko sa- vietojamību
2000/14/EK	par trokšņa emisiju vidē

Ir piemēroti šādi saskaņotie standarti un/vai tehniskās specifikācijas: EN ISO 12100, EN 15503, CISPR 12, ISO 14982

Saskaņā ar direktīvas 2000/14/EK V pielikumu deklarētie skaņas līmeņi ir norādīti šīs rokasgrāmatas

tehnisko datu sadaļā un parakstītajā EK atbilstības deklarācijā.

TÜV Rheinland N.A. veica brīvprātīgu pārbaudi Husqvarna AB vārdā, izsniedzot atbilstības sertifikātu saskaņā ar EK Padomes direktīvu 2006/42/EK par mašīnām.

Šis sertifikāts, kas pievienots parakstītajai EK Atbilstības deklarācijai, ir derīgs visām ražotnēm un izcelsmes valstīm, kas norādītas uz izstrādājuma.

Piegādātais benzīna pūtējs/pūtējs-sūcējs atbilst paraugam, kas tika pārbaudīts.

Inhoud

INLEIDING	179	ONDERHOUD	186
VEILIGHEID	180	TECHNISCHE GEGEVENS	187
MONTEREN	183	INHOUD VAN DE EG-VERKLARING VAN	
BEDIENING	184	OVEREENSTEMMING	189

INLEIDING

Gebruikershandleiding

De oorspronkelijke taal van deze gebruikshandleiding is Engels. Bedieningshandleidingen in andere talen zijn vertalingen uit het Engels.

Overzicht

(Fig. 1)

1. Schouderriem
2. Gashendel
3. STOP-schakelaar
4. Cruise control
5. Ventilatorbehuizing
6. Dop benzinetank
7. Luchtfilter
8. Chokehendel
9. Balgje voor extra brandstoftoevoer
10. Deksel luchtinlaatopening
11. Zuigerhendel
12. Mulchblad (GBV 322VX)
13. Waaierventilator
14. Onderste blaaspijp (GBV 322)
15. VX™ blaaspijp (GBV 322VX)
16. Bovenste blaaspijp
17. Bout
18. Geluiddemper
19. Geïsoleerd snoer
20. Starthendel
21. Startinrichting
22. Hendel
23. Combinatietang
24. Pijp van de opvangzak
25. Opvangzak
26. Tweedelige zuigpijp
27. Schroef
28. Bedieningshandleiding

Symbolen op het product

- (Fig. 2) Waarschuwing
- (Fig. 3) Lees deze handleiding
- (Fig. 4) Gebruik goedgekeurde hoofdbescherming

- (Fig. 5) Gebruik goedgekeurde gehoorbescherming
- Gebruik goedgekeurde oogbescherming
- (Fig. 6) (ANSI Z87.1 of gelijkwaardig)
- Gebruik beschermende laarzen en veiligheidshandschoenen
- (Fig. 7)
- (Fig. 8) Draag lange mouwen en een lange broek
- Draag geen sieraden wanneer u het product bedient.
- (Fig. 9)
- Gebruik het uiteinde van de schroevendraaier om de vergrendeling los te maken.
- (Fig. 10)
- Gebruik de zuigfunctie niet voor stenen, grind, metaal, gebroken glas, stukken rubber of ander materiaal dat schade aan de rotor kan veroorzaken.
- (Fig. 11)
- Het product kan objecten uitwerpen, waardoor oogletsel kan ontstaan
- (Fig. 12)
- Kom niet in de buurt van de waaier als deze draait
- (Fig. 13)
- (Fig. 14) Choke vol
- (Fig. 15) Choke half
- (Fig. 16) Choke uit
- Zorg ervoor dat lang haar tot boven uw schouders wordt samengebonden.
- (Fig. 17)
- (Fig. 18) Veilige afstand
- (Fig. 19) Gegarandeerd geluidsvermogeniveau
- (Fig. 20) Dit apparaat voldoet aan de geldende EG-richtlijnen.
- (Fig. 21) Het product voldoet aan de geldende EAC-richtlijnen.

Het product voldoet aan de geldende
(Fig. 22) Oekraïense richtlijnen.

Let op: Andere symbolen/stickers op het product hebben betrekking op certificeringseisen voor overige commerciële markten.

EU V



WAARSCHUWING: De EU-typegoedkeuring van dit product vervalt als ongeoorloofde wijzigingen aan de motor aangebracht worden.

Productaansprakelijkheid

Zoals uiteengezet in de wet voor productaansprakelijkheid zijn wij niet aansprakelijk voor schade die door ons product wordt veroorzaakt, indien:

- het product niet goed is gerepareerd.
- het product is gerepareerd met onderdelen die niet van de fabrikant afkomstig zijn, of onderdelen die niet zijn goedgekeurd door de fabrikant.
- het product een accessoire bevat die niet afkomstig is van de fabrikant of niet is goedgekeurd door de fabrikant.
- het product niet is gerepareerd door een erkend servicepunt of door een erkende autoriteit.

VEILIGHEID

Veiligheidsdefinities

De onderstaande definities geven de mate van ernst weer voor elk trefwoord.



WAARSCHUWING: Letsel aan personen.



OPGELET: Schade aan het product.

Let op: Deze informatie maakt het product eenvoudiger in gebruik.

Algemene veiligheidsinstructies

- Gebruik het product op de juiste manier. Onjuist gebruik leidt mogelijk tot letsel of de dood. Gebruik het product uitsluitend voor de taken die in deze handleiding worden genoemd. Gebruik het product niet voor andere taken.
- Volg de instructies in deze handleiding op. Volg de veiligheidssymbolen en veiligheidsinstructies op. Het niet in acht nemen van de instructies en de symbolen kan leiden tot letsel, schade of de dood.
- Gooi deze handleiding niet weg. Gebruik de instructies voor het monteren, gebruiken en onderhouden van uw product. Gebruik de instructies voor een correcte installatie van opzetstukken en accessoires. Gebruik alleen goedgekeurde opzetstukken en accessoires.
- Gebruik nooit een beschadigd product. Neem het onderhoudsschema in acht. Voer alleen onderhoudswerkzaamheden uit waarvoor u in deze handleiding een instructie aantreft. Alle overige onderhoudswerkzaamheden moeten door een erkend servicepunt worden uitgevoerd.
- Deze handleiding kan niet alle situaties beschrijven die zich voor kunnen doen wanneer u dit product gebruikt. Wees voorzichtig en gebruik uw gezond verstand. Gebruik het product niet en voer geen onderhoudswerkzaamheden aan het product uit als u niet zeker bent van de situatie. Neem voor meer informatie contact op met een productexpert, uw dealer, servicewerkplaats of erkende servicepunt.
- Koppel de bougiekabel los voordat u het product monteert, het product opslaat of onderhoudswerkzaamheden uitvoert.
- Gebruik het product niet als de oorspronkelijke specificatie is gewijzigd. Vervang geen onderdelen van het product zonder toestemming van de fabrikant. Gebruik alleen door de fabrikant goedgekeurde onderdelen. Onjuist onderhoud kan leiden tot letsel of de dood.
- Adem geen dampen in van de motor. Langdurig inademen van de uitlaatgassen van de motor kan een gevaar voor de gezondheid opleveren.
- Start het product niet in gesloten ruimtes of in de buurt van licht ontvlambaar materiaal. De uitlaatgassen zijn heet en kunnen vonken veroorzaken die tot brand kunnen leiden. Onvoldoende ventilatie kan leiden tot ernstig letsel of de dood door verstikking of het inademen van koolmonoxide.
- Wanneer u dit product gebruikt, genereert de motor een elektromagnetisch veld. Het elektromagnetische veld kan schade veroorzaken aan medische implantaten. Raadpleeg uw arts en de fabrikant van het medische implantaat voordat u het product gebruikt.
- Laat het product niet door een kind bedienen. Laat de machine niet bedienen door personen die de instructies niet hebben gelezen.
- Zorg ervoor dat u personen met een lichamelijke of geestelijke beperking die het product gebruiken, altijd in de gaten houdt. Er moet te allen tijde een verantwoordelijke volwassene aanwezig zijn.
- Berg het product op in een afgesloten ruimte die niet toegankelijk is voor kinderen of onbevoegde personen.

- Het product kan objecten uitwerpen en letsel veroorzaken. Neem de veiligheidsinstructies in acht om het risico op letsel of de dood te verlagen.
- Blijf in de buurt van het product wanneer de motor is ingeschakeld.
- De gebruiker van het product is verantwoordelijk indien zich een ongeval voordoet.
- Zorg dat er geen onderdelen beschadigd zijn, voordat u het product gebruikt.
- Zorg ervoor dat u minimaal 15 m (50 ft) van andere personen en dieren verwijderd bent, voordat u het product gaat gebruiken. Zorg ervoor dat personen in het aangrenzende gebied weten dat u het product gaat gebruiken.
- Neem nationale en lokale wetgeving in acht. Deze kan het gebruik van het product in sommige situaties beperken of verbieden.
- Gebruik het product niet als u moe bent, of onder invloed van alcohol, drugs of medicijnen verkeert. Ze kunnen een negatief effect hebben op uw zicht, alertheid, coördinatie of oordeel.

Trillingsveiligheid

Dit product is alleen bedoeld voor incidenteel gebruik. Het voortdurend of regelmatig bedienen van het product kan zorgen voor "witte vingers" of dergelijke medische problemen als gevolg van trillingen. Houd de toestand van uw handen en vingers in de gaten als u het product voortdurend of regelmatig gebruikt. Als uw handen of vingers verkleuren, pijn doen, tintelen of doof aanvoelen, stop dan met werken en raadpleeg onmiddellijk een arts.

Veiligheidsinstructies voor het gebruik van de bladblazer

- Gebruik het product uitsluitend voor het wegblazen of verwijderen van bladeren en ander vuil op de grond.
- Gebruik het product nooit als u moe of ziek bent, of onder invloed van alcohol, drugs of medicijnen verkeert.
- Houd personen en dieren altijd op een afstand van minimaal 15 meter (50 feet) van de gebruiker.
- Het product kan met hoge snelheid objecten uitwerpen die kunnen afketsen en de gebruiker kunnen raken. Dit kan leiden tot oogletsel.
- Wijs niet met het mondstuk van de blaaspijp in de richting van mensen of dieren.
- Zorg ervoor dat lang haar tot boven uw schouders wordt samengebonden.
- Zet de motor uit voordat u accessoires of andere componenten monteert of demonteert.
- Gebruik het product niet zonder de beschermkap.
- Gebruik dit product niet als zich personen in het werkgebied bevinden. Schakel het product uit wanneer een persoon het werkgebied betreedt.
- Gebruik het product niet in een ruimte met onvoldoende ventilatie. Onvoldoende ventilatie kan

leiden tot ernstig letsel of de dood door verstikking of het inademen van koolmonoxide.

- De demper is zeer heet als het product in werking is, nadat het stopt en wanneer het stationair loopt. Wees voorzichtig in de buurt van brandbare materialen en ontvlambare dampen.
- Raak het gebied rond het inlaatdeksel niet aan. Houd sieraden en loshangende kleding uit de buurt van het inlaatgebied.
- Zorg ervoor dat u altijd stevig staat en gebruik het product alleen op een veilige en vlakke ondergrond. Gladde of onstabiele oppervlakken, zoals ladders, kunnen verlies van evenwicht of controle veroorzaken.
- Gebruik dit product niet op hoogte, zoals op een dak.
- Zet het product vast tijdens transport.
- Gebruik het product uitsluitend op aanbevolen tijden. Volg de plaatselijke regelgeving. De gebruikelijke aanbevelingen zijn van 9:00 tot 17:00 op maandag tot en met zaterdag.
- Gebruik het product op het laagst mogelijke toerental om het werk te doen.
- Zorg dat u niet kunt vallen wanneer u het product gebruikt. Buig u niet voorover of achterover wanneer u het product bedient.
- Zorg ervoor dat het product in goede staat verkeert voordat u het gebruikt, vooral de demper, luchtinlaat en het luchtfilter.
- Verwijder los vuil op de grond met een hark of een bezem voordat u het product gebruikt.
- Als het werkgebied vies is, spuit u het schoon met een slang.
- Gebruik het product als alternatief voor een slang om water te besparen.
- Blaas vuil op een veilige manier weg. Kijk uit voor kinderen, dieren, open vensters of voertuigen.
- Richt het product niet op planten die gemakkelijk beschadigd kunnen raken.
- Blaas niet in de richting van objecten zoals muren, grote stenen, voertuigen en hekken.
- Blaas bij binnenhoeken weg van de hoek en naar het midden van het werkgebied. Anders kan vuil in uw gezicht terechtkomen en oogletsel veroorzaken.
- Gebruik het volledige verlengstuk van het blaasmondstuk zodat de luchtstroom dicht bij de grond blijft.
- Omstanders moeten oogbescherming dragen.
- Gooi het vuil in de vuilnisbak na gebruik van het product.

Veiligheidsinstructies voor het gebruik van de bladzuiger

- Voorkom schade aan de ventilator. Zuig geen grote voorwerpen aan zoals hout, blikjes, stukken rubber of lange stukken touw.
- Zorg ervoor dat de zuigpijp geen contact maakt met de grond.

- Zet de motor uit en ontkoppel de bougiekop voordat u materiaal verwijdt dat een blokkering of verstopping veroorzaakt.

Persoonlijke beschermingsmiddelen

- Gebruik altijd de juiste persoonlijke beschermingsmiddelen wanneer u het product gebruikt. De persoonlijke beschermingsmiddelen nemen het risico op letsel niet weg. De persoonlijke beschermingsmiddelen verlagen de ernst van het letsel indien zich een ongeval voordoet.
- Gebruik altijd goedgekeurde oogbescherming wanneer u het product gebruikt.
- Bedien het product niet op blote voeten of met open schoenen. Gebruik altijd antisliplaarzen voor zwaar gebruik.
- Draag een lange broek van stevige stof.
- Gebruik indien nodig goedgekeurde beschermende handschoenen.
- Gebruik een helm als er objecten op uw hoofd kunnen vallen.
- Gebruik altijd goedgekeurde gehoorbescherming wanneer u het product gebruikt. Langdurig lawaai kan gehoorverlies veroorzaken.
- Draag altijd een goedgekeurd stofmasker als u het product in een stoffige omgeving gebruikt.
- Zorg ervoor dat u een EHBO-kit bij de hand hebt.

Veiligheidsvoorzieningen op het product

- Zorg ervoor dat u regelmatig onderhoudswerkzaamheden uitvoert aan het product.
 - De levensduur van het product neemt toe.
 - Het risico van ongevallen neemt af.
- Laat het product regelmatig door een erkende dealer of een erkend servicepunt controleren, zodat er aanpassingen en reparaties uitgevoerd kunnen worden.
- Gebruik geen product met beschadigde beschermingsmiddelen. Als het product beschadigd is, neemt u dan contact op met een erkend servicepunt.

Stopschakelaar

Start de motor. Controleer of de motor stopt wanneer u de stopschakelaar in de stop-stand zet.

Geluiddemper



WAARSCHUWING: Raak de geluiddemper niet aan wanneer hij warm is. De geluiddemper is erg heet als de motor draait en nadat deze is gestopt. Aanraken van de geluiddemper kan brandwonden veroorzaken.

- Gebruik geen motor met een beschadigde geluiddemper. Een beschadigde geluiddemper laat

het geluidniveau stijgen en vergroot het risico van brand. Zorg dat er een brandblusser in de buurt is.

- Controleer regelmatig of de geluiddemper aan het product is bevestigd.
- Raak de motor en de geluiddemper niet aan terwijl de motor is ingeschakeld. Raak de motor en de geluiddemper een tijdje niet aan nadat de motor is uitgeschakeld. Hete oppervlakken kunnen letsel veroorzaken.
- Een hete geluiddemper kan brand veroorzaken. Let op als u het product in de buurt van ontvlambare vloeistoffen of dampen gebruikt.
- Raak geen onderdelen van de geluiddemper aan als de geluiddemper beschadigd is. De onderdelen kunnen kankerverwekkende chemicaliën bevatten.
- Sommige bladblazermodellen hebben een vonkenscherm. Reinig en vervang het scherm met een bepaalde regelmaat. Zie het hoofdstuk Onderhoud (*ONDERHOUD op pagina 186*).

Brandstofveiligheid

- Start het product niet als er brandstof of motorolie op het product aanwezig is. Verwijder de ongewenste brandstof/olie en laat het product drogen. Verwijder ongewenste brandstof van het product.
- Als u brandstof op uw kleding morst, trek dan direct andere kleding aan.
- Zorg dat er geen brandstof op uw lichaam terecht komt, dit kan letsel veroorzaken. Als er brandstof op uw lichaam terecht komt, verwijder deze dan met water en zeep.
- Start de motor niet als u brandstof op het product of op uw lichaam hebt gemorst.
- Start het product niet als er sprake is van een motorlekkage. Controleer de motor regelmatig op lekkage.
- Wees voorzichtig met brandstof. Brandstof is licht ontvlambaar en de dampen zijn explosief. Ze kunnen letsel veroorzaken of leiden tot de dood.
- Adem geen brandstofdampen in, dit kan letsel veroorzaken. Zorg voor voldoende ventilatie.
- Rook niet in de buurt van de brandstof of de motor.
- Plaats geen warme voorwerpen in de buurt van de brandstof of de motor.
- Vul geen brandstof bij terwijl de motor is ingeschakeld.
- Zorg ervoor dat de motor koud is wanneer u brandstof bijvult.
- Draai de tankdop langzaam open en laat de druk voorzichtig ontsnappen voordat u brandstof bijvult.
- Vul geen brandstof voor de motor bij in een afgesloten ruimte. Onvoldoende ventilatie kan leiden tot ernstig letsel of de dood door verstikking of het inademen van koolmonoxide.
- Draai de tankdop goed vast, zodat er geen brand kan ontstaan.

- Verplaats het product minstens 3 m (10 ft) van de plaats waar u de brandstoftank hebt gevuld, voordat u het product start.
- Doe niet te veel brandstof in de brandstoftank.
- Zorg dat er geen brandstof wordt gemorst wanneer u het product of de jerrycan met brandstof verplaatst.
- Plaats het product of de jerrycan met brandstof niet op een plaats waar deze wordt blootgesteld aan open vuur, vonken of waakvlammen. Zorg dat er geen open vuur aanwezig is in de opslagruimte.
- Gebruik alleen goedgekeurde jerrycans voor het verplaatsen of opslaan van brandstof.
- Leeg de brandstoftank voordat het product gedurende lange tijd wordt opgeslagen. Neem lokale wetgeving in acht voor het afvoeren van brandstof.
- Reinig het product voordat het gedurende lange tijd wordt opgeslagen.

- Verwijder de bougiekabel voordat het product wordt opgeslagen, zodat de motor niet onbedoeld kan starten.

Veiligheidsinstructies voor onderhoud



WAARSCHUWING: Onjuist onderhoud kan leiden tot aanzienlijke schade aan de motor of ernstig letsel veroorzaken.

De eigenaar is verantwoordelijk voor het uitvoeren van alle vereiste onderhoudswerkzaamheden, zoals beschreven in de gebruikersaanwijzing. Koppel eerst de bougie los voordat u onderhoudswerkzaamheden gaat uitvoeren. Maak de bougie niet los voor het afstellen van de carburateur.

MONTEREN



WAARSCHUWING: Lees het hoofdstuk over veiligheid voordat u het product monteert.

De bovenste blaaspijp monteren

1. Lijn de gleuf op de bovenste blaaspijp (A) uit met de lip in de uitlaatopening van de blazer. (Fig. 23)
2. Duw de bovenste blaaspijp volledig op de uitlaatopening van de blazer.
3. Draai de bovenste blaaspijp tot de opening in de pijp is uitgelijnd met de schroefdraad in de moer van de uitlaatopening van de blazer. (Fig. 24)
4. Breng de schroef (C) aan. (Fig. 25)
5. Draai de schroef rechtsonder met een schroevendraaier om de pijp vast te zetten.

De onderste blaaspijp monteren

1. Lijn de gleuven op de onderste blaaspijp (A) uit met de lippen op de bovenste blaaspijp (B). (Fig. 26)
2. Duw de onderste blaaspijp volledig op de bovenste blaaspijp.
3. Draai de onderste blaaspijp volledig tot de lip in het uiteinde van de gleuf valt. (Fig. 27)

De VX™ blaaspijp monteren

1. Lijn de gleuven in de VX™ blaaspijp (A) uit met de lippen op de bovenste blaaspijp (B). (Fig. 28)
2. Duw de VX™ blaaspijp volledig op de bovenste blaaspijp.
3. Draai de VX™ blaaspijp volledig tot de lip in het uiteinde van de gleuf valt. (Fig. 29)

De bovenste aanzuigpijp monteren

1. Steek het uiteinde van een schroevendraaier in het vergrendeldeel van de aanzuigopening. (Fig. 30)
2. Duw het handvat van de schroevendraaier zachtjes naar de voorkant van het product om de vergrendeling los te maken.
3. Houd het deksel van de aanzuigopening geopend tot de bovenste aanzuigpijp op zijn plaats zit. (Fig. 31)
4. Lijn de rib aan de binnenkant van de aanzuigopening uit met de gleuven op de bovenste aanzuigpijp.

Let op: Lijn de indicatoren van de aanzuigopening en de bovenste aanzuigpijp uit.

5. Duw de bovenste aanzuigpijp volledig in de aanzuigopening.
6. Draai de bovenste aanzuigpijp volledig rechtsonder totdat u een klik voelt. (Fig. 32)

De onderste aanzuigpijp monteren

1. Lijn de gleuf in de onderste aanzuigpijp uit met de lip op de bovenste aanzuigpijp.
2. Duw de onderste aanzuigpijp volledig op de bovenste aanzuigpijp tot de lip in het uiteinde van de gleuf valt. (Fig. 33)
3. Breng de schroef aan.
4. Draai de schroef rechtsonder met een schroevendraaier om de pijp vast te zetten. (Fig. 34)

De pijp van de opvangzak monteren

1. Lijn de gleuf in de pijp van de opvangzak (A) uit met de lip in de uitlaatopening van de blazer (B). (Fig. 35)
2. Duw de pijp van de opvangzak volledig op de uitlaatopening van de blazer.

- Draai de pijp van de opvangzak tot de opening in de pijp is uitgelijnd met de schroefdraad in de moer van de uitlaatopening van de blazer. (Fig. 36)

- Breng de schroef (C) aan.
- Draai de schroef rechtsom met een schroevendraaier om de pijp vast te zetten. (Fig. 37)

BEDIENING



WAARSCHUWING: Lees en begrijp het hoofdstuk over veiligheid voordat u het product gebruikt.

Brandstof

Brandstof gebruiken



OPGELET: Dit product heeft een tweetaktmotor. Gebruik een mengsel van benzine en tweetakt-motorolie. Zorg dat u de juiste hoeveelheid olie gebruikt in het mengsel. Door een onjuiste verhouding van benzine en olie kan de motor beschadigd raken.

Benzine



OPGELET: Gebruik geen benzine met een octaangetal lager dan 90 RON (87 AKI). Dit kan schade aan het product veroorzaken.



OPGELET: Gebruik geen benzine met een ethanolgehalte van meer dan 10% (E10). Dit kan schade aan het product veroorzaken.

- Gebruik altijd nieuwe loodvrije benzine met een minimaal octaangetal van RON 90 (87 AKI) en een ethanolgehalte van minder dan 10% (E10).
- Gebruik benzine met een hoger octaangetal als u het product regelmatig gebruikt met een hoog motortoerental.

Tweetakt-motorolie

- Gebruik alleen hoogwaardige tweetakt-motorolie. Gebruik alleen motorolie voor luchtgekoelde tweetakt-motorolie.
- Gebruik geen andere typen olie.
- Mengverhouding 50:1 (2%)

Benzine	Olie
1 U.S. Gal.	77 ml (2,6 oz)
1 UK Gal.	95 ml (3,2 oz)
5 l	100 ml (3,4 oz)

Brandstof mengen

Let op: Gebruik altijd een schone jerrycan wanneer u brandstof gaat mengen.

Let op: Maak een hoeveelheid brandstofmengsel voor maximaal 30 dagen.

- Voeg de helft van de hoeveelheid benzine toe.
- Voeg de volledige hoeveelheid olie toe.
- Schud het brandstofmengsel om de stoffen te mengen.
- Voeg de resterende hoeveelheid benzine toe.
- Schud het brandstofmengsel om de stoffen te mengen.
- Vul de brandstoftank.

Brandstof vullen

- Gebruik altijd een jerrycan met een anti-morsschenkruit.
- Als er brandstof op de jerrycan aanwezig is, dan verwijderd u de ongewenste brandstof en laat u de jerrycan drogen.
- Zorg dat het oppervlak rondom de tankdop schoon is.
- Schud de jerrycan voordat u het brandstofmengsel in de brandstoftank laat lopen.

Starten en stoppen

Voordat u de motor start

- Controleer het product op ontbrekende, beschadigde, loszittende of versleten onderdelen.
- Controleer de opvangzak. Controleer of de opvangzak niet beschadigd is en of de rits dicht is.
- Controleer de moeren, schroeven en bouten.
- Controleer het luchtfilter.
- Controleer of de gashendel naar behoren werkt.
- Controleer of de stopschakelaar naar behoren werkt.
- Controleer het product op brandstoflekage.

Koude motor starten



WAARSCHUWING: Wikkel het startkoord niet rond uw hand.



OPGELET: Houd het product niet tegen met uw voet.



OPGELET: Trek het startkoord niet helemaal uit tot aan de eindpositie. Laat de startkoordhendel niet los wanneer het

startkoord is uitgetrokken. Dit kan schade aan het product veroorzaken.

Let op: Wanneer de motor stopt, zet u de chokehendel in de gesloten stand en voert u de stappen voor het starten opnieuw uit.

1. Vul de brandstoftank met een zuiver brandstofmengsel.
2. Druk de machinebehuizing met uw linkerhand tegen de grond. Zorg dat u het blaaseinde van mensen, dieren, glas en vaste voorwerpen vandaan richt.
3. Druk de primerbalg van de brandstofpomp langzaam 10 maal in.
4. Zet de chokehendel volledig open in de stand CHOKE VOL.
5. Druk de gashendel in en houd deze vast
6. Trek met een snelle beweging aan het startkoord totdat de motor begint te draaien, maar niet meer dan 3 keer achter elkaar.

Let op: Als de temperatuur lager is dan 4 °C (40 °F), blijft u aan het startkoord trekken totdat de motor probeert te starten.

7. Zet de chokehendel half open in de stand CHOKE HALF.
8. Geef een snelle ruk aan het startkoord totdat de motor draait.
9. Laat de motor 10 seconden draaien.
10. Zet de chokehendel in de stand CHOKE UIT.

Warme motor starten

1. Druk de primerbalg van de brandstofpomp langzaam 10 maal in.
2. Zet de chokehendel half open in de stand CHOKE HALF.
3. Geef een snelle ruk aan het startkoord totdat de motor draait.
4. Zet de chokehendel in de stand CHOKE UIT.

Een motor met dampbelvorming starten

Dampbelvorming treedt op wanneer de brandstof in de brandstofleiding of carburateur verdampst wegens verhoogde warmte.

Er kan sprake zijn van dampbelvorming in het product wanneer het product niet opnieuw kan worden gestart in een omgevingstemperatuur van meer dan 35 °C en het gedurende 15-45 minuten uitgeschakeld is geweest.

1. Druk het balgje van de brandstofpomp gedurende 10 tot 15 seconden telkens opnieuw in.
2. Zet de chokehendel half open in de stand CHOKE HALF.
3. Geef een snelle ruk aan het startkoord totdat de motor draait.

4. Laat de motor 3 minuten stationair draaien om op te warmen.
5. Zet de chokehendel in de stand CHOKE UIT.

De motor uitschakelen

- Druk op de STOP-schakelaar van de motor en laat deze los. De schakelaar keert automatisch terug in de stand aan (ON). Wacht 7 seconden voordat u het product opnieuw probeert te starten om ervoor te zorgen dat de schakelaar wordt teruggezet.

De VX™ blaaspijp afstellen

1. Lijn de juiste gleuf (A of B) in de buitenste VX™ blaaspijp uit met de lip (C) op de binnenste pijp. (Fig. 38)

Let op: U kunt de lip niet zien als de pijpen zijn samengevoegd. U moet de positie van de lip voelen terwijl u de buitenste pijp beweegt.

Let op: Vergrendel de lip in positie "A" voor een grotere blazeropening. Met een grotere blazeropening kunnen grote gebieden met dorre bladeren en ander ongewenst materiaal worden schoongebazen. Vergrendel de lip in positie "B" voor een kleinere blazeropening. Een kleinere zorgt ervoor dat de lucht sneller stroomt, voor het reinigen van scheuren en randen en het verplaatsen van zwaar materiaal.

2. Draai de buitenste pijp zoals afgebeeld om de lip los te maken uit de gleuf. (Fig. 39)
3. Beweeg de buitenste pijp langs de binnenste pijp om de positie te wijzigen. (Fig. 40)
4. Draai de buitenste buis zoals weergegeven tot de lip volledig is vergrendeld in de juiste gleuf. (Fig. 41)

Werkstand

- Blazer (Fig. 42)
- Zuiger (Fig. 43)

Zuigen

Trek de benodigde veiligheidsuitrusting aan voordat u gaat zuigen.



WAARSCHUWING: Zorg ervoor dat de opvangzak niet beschadigd is en dat de rits dicht is voordat u het apparaat gaat gebruiken. Gebruik geen beschadigde zakken. Dit voorkomt schade veroorzaakt door rondvliegend vuil. Bediening met de linkerhand verhoogt het risico. Laat uw lichaam niet tegen het gebied rond de uitlaat komen.



WAARSCHUWING: Start de blazer niet als het deksel van de aanzuigopening open of

beschadigd is (behalve als de zuigpijp is gemonteerd).

- Tijdens het werken met de blazer moet de opvangzak gesteund worden door de draagriem. De riem moet over de schouder worden gedragen.
- Start de bladblazer. Volg de instructies in het hoofdstuk over starten en stoppen *Starten en stoppen op pagina 184*. Lees de veiligheidsinstructies goed door *VEILIGHEID op pagina 180*.

De opvangzak legen



WAARSCHUWING: Controleer altijd de opvangzak. Zorg ervoor dat deze niet

beschadigd is en dat de rits dicht is voordat u het apparaat gaat gebruiken. Gebruik nooit een beschadigde zak. Er bestaat dan risico op letsel vanwege rondvliegend vuil. Wees voorzichtig als u het product met uw linkerhand bedient. Raak nooit het gebied rond de uitlaat aan.

1. Stop het apparaat.
2. Open de rits aan de zijkant.
3. Maak de opvangzak leeg.
4. Sluit de rits.

ONDERHOUD



WAARSCHUWING: Lees en begrijp het hoofdstuk over veiligheid voordat u gaat reinigen of reparaties of onderhoud gaat uitvoeren.

Onderhoudsschema

Houd u aan het onderhoudsschema. De intervallen worden berekend op basis van het dagelijks gebruik van het product. De intervallen wijken af als u het product niet dagelijks gebruikt. Voer alleen onderhoudswerkzaamheden uit die in deze handleiding worden beschreven. Neem voor overige onderhoudswerkzaamheden die niet in deze handleiding worden beschreven contact op met een erkend servicepunt.

Dagelijks onderhoud

- Reinig de externe oppervlakken.
- Controleer of de snelheidsregeling en de gashendel correct werken. Vervang beschadigde onderdelen.
- Controleer de stopschakelaar. Vervangen indien nodig.
- Controleer het stationaire toerental.
- Maak het luchtfilter schoon. Vervangen indien nodig.
- Zorg ervoor dat het deksel van de aanzuigopening in gesloten stand kan worden vastgezet. Zorg ervoor dat de waaier schoon is.
- Draai alle moeren en bouten aan.
- Controleer of de behuizingen geen scheuren vertonen.
- Zorg ervoor dat de opvangzak niet beschadigd is en dat de rits werkt. Vervang de zak indien nodig.

Wekelijks onderhoud

- Controleer de staat van de starterinrichting, het startkoord en de spanveer. Vervang alle beschadigde onderdelen.

- Controleer de staat van de luchtinlaat bij de starterinrichting. Verwijder rommel als de luchtinlaat verstopt zit.
- Maak de bougie uitwendig schoon. Verwijder deze en controleer de afstand tussen de elektroden. Stel de afstand in op 0,6 mm (0,024 inch) of vervang de bougie.
- Reinig de bladen van de waaier.
- Reinig het vonkenscherm en vervang het indien nodig (niet op dempers met een katalysator).
- Reinig het gebied rond de carburateur.
- Maak het luchtfilter schoon.

Maandelijks onderhoud

- Controleer de greep van het startkoord en het startkoord.
- Maak de brandstoftank schoon.
- Reinig de carburateur en de directe omgeving ervan.
- Reinig de bladen van de waaier.
- Controleer de brandstofleidingen op scheurtjes of andere beschadigingen. Vervang deze indien nodig
- Vervang het brandstoffilter in de brandstoftank.
- Controleer alle kabels en aansluitingen.
- Vervang de bougie.
- Vervang het luchtfilter.

Jaarlijks onderhoud

- Controleer de bougie.
- Reinig de externe oppervlakken van de carburateur en de aangrenzende delen.
- Reinig het koelsysteem.
- Controleer het vonkenscherm.
- Controleer het brandstoffilter.
- Controleer de brandstofslang op schade.
- Controleer alle kabels en aansluitingen.

Onderhoud na 50 uur

- Zorg dat de geluiddemper wordt gerepareerd of vervangen door een erkend servicepunt.

Stationair toerental afstellen

Zorg dat het luchtfilter schoon is en dat het luchtfilterdeksel is aangebracht voordat het stationaire toerental wordt afgesteld.

Stel het stationair toerental af met de stelschroef. (Fig. 44)

Het stationaire toerental is juist wanneer de motor in alle standen soepel draait.

1. Draai de stelschroef rechtsom voor een hogere stationair toerental.
2. Draai de stelschroef linksom voor een lagere stationair toerental.

Onderhoud uitvoeren aan het vonkenscherm

Gebruik een staalborstel om het vonkenscherm te reinigen.

Koelsysteem reinigen

Reinig de onderdelen van het koelsysteem met een borstel.

Bougie controleren



OPGELET: Gebruik altijd het juiste bougietype. Een verkeerd type bougie kan schade aan het product veroorzaken.

- Controleer de bougie als de motor weinig vermogen heeft, niet gemakkelijk te starten is of stationair niet goed draait.

- Volg deze instructies om het risico van ongewenst materiaal op de elektroden van de bougie te beperken:
 - a) Zorg ervoor dat het stationair toerental altijd juist is afgesteld.
 - b) Zorg dat het brandstofmengsel correct is.
 - c) Zorg dat het luchtfilter schoon is.
- Maak de bougie schoon als deze vuil is en controleer of de afstand tussen de elektroden correct. Zie *TECHNISCHE GEGEVENS op pagina 187*. (Fig. 45)
- Vervang de bougie indien nodig.

Onderhoud uitvoeren aan het luchtfilter

Het luchtfilter reinigen

1. Verwijder het luchtfilterdeksel en verwijder het luchtfilter.
2. Reinig het luchtfilter met een warm sopje van water en zeep. Zorg dat het luchtfilter droog is wanneer u dit aanbrengt.
3. Vervang het luchtfilter als het zo vuil is dat het niet meer volledig kan worden gereinigd. Vervang een beschadigd luchtfilter altijd.
4. Als uw product is uitgerust met een schuimluchtfilter, breng dan luchtfilterolie aan. Breng alleen luchtfilterolie aan op een schuimfilter. Breng geen olie aan op een vilfilter.

TECHNISCHE GEGEVENS

	eenheid	GBV 322 (GHB28VPR)	GBV 322VX (GHB28VPR)
Motorspecificaties			
Cilinderinhoud	cm ³	26	26
Elektrodenafstand	mm	0,6	0,6
Inhoud brandstoftank	cm ³	500	500
Stationair toerental	min ⁻¹	2800 - 3200	2800 - 3200
Maximaal vermogen bij toerental	min ⁻¹	8000	8000
Uitgangsvermogen	kW	0,8	0,8
Bougie		Champion RCJ-6Y	Champion RCJ-6Y
Maximumsnelheid blazen	min ⁻¹	8600	8600

	eenheid	GBV 322 (GHB28VPR)	GBV 322VX (GHB28VPR)
Maximalsnelheid zuigen	min ⁻¹	--	7500
Emissieduurzaamheidsperiode	h	50	50
Geluids- en trillingsgegevens			
Gelijkwaardig trillingsniveau bij hendels met blaaspijpen en mondstuk (origineel) - zie opmerking 1	m/s ²	7,5	7,5
Gelijkwaardig trillingsniveau bij hendels met zuigpijpen (origineel), links/rechts - zie opmerking 1	m/s ²	7,4	7,4
Gelijkwaardig geluidsdrumniveau bij het oor van de gebruiker, gemeten volgens ISO 22868, uitgerust met blaaspijpen en mondstuk (origineel) - zie opmerking 3	dB(A)	95,6	95,6
Geluidvermogensniveau, gegarandeerd (L _{WA}) - zie opmerking 2	dB(A)	112	112
Geluidvermogensniveau, gemeten - zie opmerking 2	dB(A)	109	109
Afmetingen product			
Gewicht	kg	4,4	4,5
<p>Opmerking 1: De gerapporteerde gegevens voor een vergelijkbaar trillingsniveau vertonen een typische statistische spreiding (standaardafwijking) van 1,5 m/s².</p> <p>Opmerking 2: Geluidsemisatie naar de omgeving gemeten als geluidsvermogen (L_{WA}) volgens EG-richtlijn 2000/14/EG. Het gerapporteerde geluidsvermogensniveau voor de machine is gemeten met het originele hulpstuk dat het hoogste niveau geeft. Het verschil tussen gegarandeerd en gemeten geluidsvermogen is dat het gegarandeerde geluidsvermogen ook spreiding in het meetresultaat omvat en de verschillen tussen de verschillende machines van hetzelfde model conform Richtlijn 2000/14/EG.</p> <p>Opmerking 3: De gerapporteerde gegevens voor een vergelijkbaar geluidsdrumniveau voor de machine vertonen een typische statistische spreiding (standaardafwijking) van 3 dB(A).</p>			

Ventilator	eenheid	GBV 322	GBV 322VX
Type		Radiale ventilator	Radiale ventilator
Max. luchtsnelheid, standaard mondstuk	km/h	322	-
Max. luchtsnelheid, VX™ blaaspijp*	km/h	-	370
Luchtvolume blazen	cfm	370	450
Luchtvolume zuigen	cfm	490	490
Mulchverhouding		10:1	16:1
*optioneel accessoire			

INHOUD VAN DE EG-VERKLARING VAN OVEREENSTEMMING

Wij, Husqvarna AB, SE 561 82 Huskvarna, ZWEDEN, verklaren onder onze alleenverantwoordelijkheid dat het gerepresenteerde product:

Beschrijving	Blazer/zuiger met benzinemotor
Merk	McCulloch
Platform / Type / Model	Platform GHB28VPR, vertegenwoordigend model GBV 322, GBV 322VX
Partij	Serienummer vanaf 2018 en verder

volledig voldoet aan de volgende EU-richtlijnen en -regelgeving:

Richtlijn/Verordening	Beschrijving
2006/42/EG	"betreffende machines"
2014/30/EU	"betreffende elektromagnetische compatibiliteit"
2000/14/EG	"betreffende geluid buitenshuis"

Toegepaste geharmoniseerde normen en/of technische specificaties zijn als volgt: EN ISO 12100, EN 15503, CISPR 12, ISO 14982

In overeenstemming met richtlijn 2000/14/EG, bijlage V, staan de verklaarde geluidswaarden vermeld in de sectie met technische gegevens van deze handleiding en in de ondertekende EG-verklaring van overeenstemming.

TÜV Rheinland N.A. heeft een vrijwillig typeonderzoek uitgevoerd ten behoeve van Husqvarna AB, onder vermelding van Certificaat van overeenstemming met Machinerichtlijn 2006/42/EG van de Europese Raad.

Het certificaat, als vermeld op de ondertekende EG-verklaring van overeenstemming, is van toepassing op alle fabriekslocaties en landen van herkomst, zoals vermeld op het product.

De geleverde blazer/zuiger met benzinemotor is conform het geteste exemplaar.

INNHold

INNLEDNING.....	190	VEDLIKEHOLD.....	196
SIKKERHET.....	191	TEKNISKE DATA.....	197
MONTERING.....	194	INNHoldET I EF-SAMSVARERKLÆRINGEN.....	199
DRIFT.....	194		

INNLEDNING

Bruksanvisning

Det originale språket i denne bruksanvisningen er engelsk. Bruksanvisninger på andre språk er oversettelser fra engelsk.

Oversikt

(Fig. 1)

1. Skulderstropp
2. Gassregulator
3. Stoppbryter
4. Cruise control
5. Viftehus
6. Drivstofflokk
7. Luffilter
8. Chokeregulator
9. Brennstoffpumpe
10. Innsugningsdeksel
11. Håndtak
12. Bioklippkniv (GBV 322VX)
13. Vifteløpehjul
14. Nedre blåserør (GBV 322)
15. VX-™ blåserør (GBV 322VX)
16. Øvre blåserør
17. Bolt
18. Lyddemper
19. Jordledning
20. Håndtak på startsnoren
21. Startmotor
22. Håndtak
23. Kombinasjonsverktøy
24. Rør til oppsamlingspose
25. Oppsamlingspose
26. Sugerør i to deler
27. Skrue
28. Bruksanvisning

Symboler på produktet

- (Fig. 2) Advarsel
- (Fig. 3) Les denne bruksanvisningen
- (Fig. 4) Bruk godkjent hodebeskyttelse

- (Fig. 5) Bruk godkjent hørselsvern
- Bruk godkjent øyevern (ANSI Z87.1 eller tilsvarende)
- (Fig. 6)
- (Fig. 7) Bruk godkjente verne støvler og hansker.
- (Fig. 8) Bruk plagg med lange ermer og langbukser.
- (Fig. 9) Ikke bruk smykker når du bruker produktet.
- Bruk spissen på skrutrekkeren til å løsne låsehaken.
- (Fig. 10)
- Sug ikke opp stein, grus, metall, glasskår, gummitildekking eller andre materialer som kan forårsake alvorlige skader på løpehjulet.
- (Fig. 11)
- Produktet kan kaste ut objekter, noe som kan føre til skader på øynene
- (Fig. 12)
- Ikke kom i nærheten av løpehjulet mens det spinner
- (Fig. 13)
- (Fig. 14) Full choke
- (Fig. 15) Halv choke
- (Fig. 16) Ingen choke
- Sørg for at langt hår settes opp over skuldrene.
- (Fig. 17)
- (Fig. 18) Sikkerhetsavstand
- (Fig. 19) Garantert lydeffektiv
- Dette produktet samsvarer med gjeldende EC-direktiver.
- (Fig. 20)
- Dette produktet samsvarer med gjeldende EAC-direktiver.
- (Fig. 21)
- Dette produktet samsvarer med gjeldende ukrainske direktiver.
- (Fig. 22)

Merk: Øvrige symboler/klistremerker angitt på produktet gjelder sertifiseringskrav for andre markeder.

EU V



ADVARSEL: Tukling med motoren opphever EU-type-godkjenningen til dette produktet.

Produktansvar

Som nevnt i lovverket om produktansvar er vi ikke ansvarlig for skader som produktet vårt forårsaker, hvis

- produktet er reparert på feil måte
- produktet er reparert med deler som ikke kommer fra produsenten eller som ikke er godkjent av produsenten
- produktet har et tilbehør som ikke kommer fra produsenten eller som ikke er godkjent av produsenten.
- produktet ikke er reparert på et godkjent servicesenter eller av en godkjent aktør

SIKKERHET

Sikkerhetsdefinisjoner

Definisjonene nedenfor angir alvorlighetsgraden for hvert signalord.



ADVARSEL: Skade på personer.



OBS: Skade på produktet.

Merk: Denne informasjonen gjør produktet lettere å bruke.

Generelle sikkerhetsinstruksjoner

- Bruk produktet riktig. Personskade eller død er mulige konsekvenser av feil bruk. Produktet må kun brukes til oppgaver angitt i denne bruksanvisningen. Ikke bruk produktet til andre oppgaver.
- Følg instruksjonene i denne bruksanvisningen. Følg symbolene og sikkerhetsinstruksjonene. Personskade, materiell skade eller død er mulige konsekvenser hvis brukeren ikke følger instruksene og symbolene.
- Ikke kast denne bruksanvisningen. Bruk instruksjonene for å montere, bruke og holde produktet i god stand. Følg instruksjonene for riktig montering av tilbehør og tilleggsutstyr. Bruk bare godkjent tilbehør og tilleggsutstyr.
- Ikke bruk et skadet produkt. Følg vedlikeholdsskjemaet. Utfør bare vedlikehold som du finner instruksjoner om i denne bruksanvisningen. Et godkjent servicesenter må gjøre alt annet vedlikeholdsarbeid.
- Denne bruksanvisningen kan ikke dekke alle situasjoner som kan oppstå når du bruker produktet. Vær forsiktig, og bruk sunn fornuft. Ikke bruk produktet eller utfør vedlikehold av produktet hvis du ikke føler deg trygg i situasjonen. Snakk med en produktteknisk ekspert, forhandleren, serviceverkstedet eller et godkjent servicesenter for mer informasjon.
- Koble fra tennpluggkabelen før du monterer produktet, setter produktet til oppbevaring eller utfører vedlikehold.
- Ikke bruk produktet hvis det er endret fra den opprinnelige spesifikasjonen. Ikke bytt en del av produktet uten godkjenning fra produsenten. Bruk bare deler som er godkjent av produsenten. Personskade eller død er mulige konsekvenser av feil vedlikehold.
- Ikke pust inn avgassene fra motoren. Langvarig innånding av motorens avgasser utgjør en helseisiko.
- Ikke start produktet innendørs eller i nærheten av brennbare materialer. Eksosen er varm og kan inneholde gnister som kan starte en brann. En utilstrekkelig luftstrøm kan føre til personskade eller død på grunn av kveling eller karbonmonoksidforgiftning.
- Motoren genererer et elektromagnetisk felt når du bruker dette produktet. Det elektromagnetiske feltet kan føre til skader på medisinske implantater. Snakk med legen din og produsenten av det medisinske implantatet før du bruker produktet.
- Ikke la barn bruke produktet. Ikke la en person uten kunnskap om instruksjonene bruke produktet.
- Sørg for at du alltid overvåker personer med redusert fysisk eller mental kapasitet når de bruker produktet. En ansvarlig voksen må alltid være til stede.
- Lås inn produktet et sted som barn og uautoriserte personer ikke har tilgang til.
- Produktet kan kaste ut løse gjenstander og forårsake personskade. Følg instruksjonene for å redusere faren for personskade eller død.
- Ikke forlat produktet når motoren er på.
- Brukeren av produktet er ansvarlig hvis det skjer en ulykke.
- Pass på at delene ikke er skadet, før du bruker produktet.

- Kontroller at du er minst 15 m unna andre personer eller dyr før du bruker produktet. Pass på at personer i nærheten vet at du kommer til å bruke produktet.
- Se nasjonale eller lokale lover. De kan forby eller begrense bruken av produktet under enkelte forhold.
- Ikke bruk produktet hvis du er trett eller påvirket av alkohol, andre rusmidler eller legemidler. Dette kan påvirke syn, oppmerksomhet, koordinasjon eller vurderingsevne.
- Ikke bruk produktet på et høyt sted, for eksempel på et tak.
- Sikre produktet under transport.
- Bruk produktet bare innenfor den anbefalte tidsrammen. Følg lokale forskrifter. Vanlige anbefalinger er mellom klokken 09.00 og 17.00, fra mandag til og med lørdag.
- Bruk produktet ved lavest mulig gass til å utføre arbeidet.
- Pass på at du ikke risikerer å falle når du bruker produktet. Ikke len deg til siden når du bruker produktet.

Vibrasjonssikkerhet

Dette produktet er bare for sporadisk bruk. Kontinuerlig eller regelmessig bruk av produktet kan forårsake syndromet «hvite fingre» eller tilsvarende medisinske problemer fra vibrasjoner. Vær oppmerksom på tilstanden til hendene og fingrene dine hvis du bruker produktet kontinuerlig eller regelmessig. Hvis hendene eller fingrene er misfarget, eller hvis du kjenner smerte, kribling eller nummenhet, må du avbryte arbeidet og umiddelbart ta kontakt med en lege.

Sikkerhetsinstruksjoner for bruk av blåseren

- Kun bruk produktet til å blåse eller fjerne løv og annet hageavfall på bakken.
- Aldri bruk dette produktet dersom du er trett, syk eller under påvirkning av alkohol, andre rusmidler eller medisiner.
- Ikke la andre personer eller dyr komme nærmere enn 15 m fra brukeren.
- Produktet kan kaste løse gjenstander med høy hastighet som kan sprette og treffe føreren. Dette kan føre til skader på øynene.
- Aldri rett blåserøret på apparatet mot mennesker eller dyr.
- Sørg for at langt hår settes opp over skuldrene.
- Stopp motoren før du setter på eller tar av tilbehør eller andre komponenter.
- Ikke bruk produktet uten beskyttelsen.
- Bruk ikke produktet dersom det finnes andre personer i arbeidsområdet. Slå av produktet hvis en person går inn i arbeidsområdet.
- Bruk ikke produktet på et sted med utilstrekkelig luftstrøm. Utilstrekkelig luftstrøm kan føre til personskaade eller død på grunn av kvelning eller karbonmonoksidforgiftning.
- Lyddemperen er svært varm når produktet er på, etter at det stopper, og når det går på tomgang. Vær forsiktig i nærheten av brennbare materialer og brennbare avgasser.
- Ikke berør området ved innsugningsdekselet. Hold smykker og løsthengende klær vekk fra innsugingsområdet.
- Du må alltid stå stabilt og bruke produktet på sikkert og jevnt underlag. Glatte eller ustabile overflater, slik som stiger, kan føre til at du mister balansen eller kontrollen.

- Kontroller at produktet er i god stand før bruk, spesielt lyddemperen, luftinntaket og luffilteret.
- Bruk en rake eller en kost for å løse bakkerusk før bruk av produktet.
- Hvis arbeidsområdet er skittent, bør du spraye det med en slange.
- Bruk produktet som et alternativ til en slange for å spare vann.
- Blås oppsamlingsmassen trygt bort. Se opp for barn, dyr, åpne vinduer eller kjøretøy.
- Ikke pek produktet mot planter som lett kan skades.
- Ikke blås luft i retningen av gjenstander som vegger, store steiner, kjøretøy og gjerder.
- Hvis du arbeider inne i hjørner, bør du blåse fra hjørnet og inn mot midten av arbeidsområdet. Hvis ikke kan gjenstander treffe ansiktet ditt og forårsake øyeskaade.
- Bruk hele blåserørforlengeren for å holde luftstrømmen nær bakken.
- Tilskuere må bruke vernebriller.
- Kast oppsamlingen i avfallsbeholdere etter bruk av produktet.

Sikkerhetsinstruksjoner for bruk av sugeren

- Unngå skader på viften. Ikke sug opp store, faste gjenstander, for eksempel tre, kanner, gummitildekking eller lange strengbiter.
- Ikke la sugerøret komme i kontakt med bakken.
- Stopp motoren og koble fra tennpluggetten før du fjerner en blokkering eller tilstoppet materiale.

Personlig verneutstyr

- Bruk alltid egnet personlig verneutstyr når du bruker produktet. Det personlige verneutstyret fjerner ikke risikoen for skader. Det personlige verneutstyret reduserer skadeomfanget hvis det skjer en ulykke.
- Bruk alltid et godkjent øyevern når du bruker produktet.
- Ikke bruk produktet uten sko eller med åpne sko. Bruk alltid kraftige sklisikre støvler.
- Bruk tykke langbukser.
- Bruk godkjente vernehansker hvis det er nødvendig.
- Bruk hjelm hvis det er mulig at du får objekter i hodet.

- Bruk alltid godkjent hørselsvern når du bruker produktet. Støy over en lang periode kan forårsake støyrelatert hørselsskade.
- Bruk alltid en godkjent støvmaske når du bruker produktet i støvete omgivelser.
- Sørg for at du har et førstehjelpssett i nærheten.

Beskyttelsesutstyr på produktet

- Pass på at du regelmessig utfører vedlikehold av produktet.
 - Levetiden til produktet øker.
 - Risikoen for ulykker reduseres.
- La en godkjent forhandler eller et godkjent servicesenter undersøke produktet regelmessig for å gjøre justeringer eller reparasjoner.
- Ikke bruk et produkt med skadet verneutstyr. Hvis produktet er skadet, må du kontakte et godkjent servicesenter.

Stoppbryter

Start motoren. Forsikre deg om at motoren stopper når du flytter stoppbryteren til stopstillingen.

Lyddemper



ADVARSEL: Ikke berør lyddemperen hvis den er varm. Lyddemperen er svært varm mens motoren går og etter den stopper. Berøringen av lyddemperen kan forårsake forbrenninger.

- Ikke bruk en motor med defekt lyddemper. En defekt lyddemper øker lydnivået og brannfaren. Ha et brannslukningsapparat i nærheten.
- Kontroller regelmessig at lyddemperen er koblet til produktet.
- Ikke berør motoren eller lyddemperen når motoren er på. Ikke berør motoren eller lyddemperen på en stund etter at motoren har stoppet. Varme overflater kan forårsake personskade.
- En varm lyddemper kan forårsake brann. Vær forsiktig hvis du bruker produktet i nærheten av brennbare vesker eller damp.
- Ikke berør delene i lyddemperen hvis lyddemperen er skadet. Delene kan inneholde noen kreftframkallende kjemikalier.
- Noen blåsermodeller har en gnistfangerskjerm. Rengjør og skift skjermen ved angitte intervaller. Se delen Vedlikehold (*VEDLIKEHOLD på side 196*).

Brennstoffsikkerhet

- Ikke start produktet hvis det er drivstoff eller motorolje på produktet. Fjern uønsket drivstoff/olje, og la produktet tørke. Fjern uønsket drivstoff fra produktet.
- Skift klær umiddelbart hvis du søler drivstoff på klærne.

- Ikke få drivstoff på kroppen, det kan føre til personskade. Bruk såpe og vann for å fjerne drivstoff hvis du får drivstoff på kroppen.
- Ikke start motoren hvis du søler olje eller drivstoff på produktet eller på kroppen din.
- Ikke start produktet hvis motoren lekker. Kontroller motoren for lekkasjer med jevne mellomrom.
- Vær forsiktig med drivstoff. Drivstoff er brannfarlig, og avgassene er eksplosive og kan forårsake personskade eller død.
- Ikke pust inn bensindamp, det kan føre til personskade. Pass på at det er tilstrekkelig luftstrøm.
- Du må ikke røyke i nærheten av drivstoff eller motoren.
- Ikke sett varme gjenstander i nærheten av drivstoff eller motoren.
- Ikke fyll på drivstoff når motoren er på.
- Kontroller at motoren er avkjølt før du fyller på drivstoff.
- Åpne tanklokket sakte og slipp ut trykket forsiktig før du fyller.
- Ikke fyll drivstoff på motoren innendørs. Utilstrekkelig luftstrøm kan føre til personskade eller død på grunn av kveling eller karbonmonoksidforgiftning.
- Trekk til lokket på drivstofftanken forsiktig. Brann kan oppstå hvis du ikke gjør dette.
- Flytt produktet minst 3 m fra stedet du fylte tanken før du starter det.
- Ikke fyll for mye drivstoff på tanken.
- Kontroller at det ikke oppstår lekkasjer når du flytter produktet eller bensinkannen.
- Ikke plasser produktet eller en drivstoffbeholder i nærheten av åpen flamme, gnister eller pilotflamme. Pass på at det ikke er åpen flamme i oppbevaringsområdet.
- Bruk bare godkjente beholdere når du flytter drivstoff eller setter drivstoff til oppbevaring.
- Tøm drivstofftanken før lengre tids oppbevaring. Følg lokale lover om hvor du kan kassere drivstoff.
- Rengjør produktet før lengre tids oppbevaring.
- Fjern tennpluggkabelen før du setter produktet til oppbevaring for å sikre at motoren ikke starter ved et uhell.

Sikkerhetsinstruksjoner for vedlikehold



ADVARSEL: Galt vedlikehold kan føre til alvorlige skader på motoren eller alvorlig personskader.

Eieren er ansvarlig for at alt nødvendig vedlikehold utføres som beskrevet i brukerhåndboken. Frakoble tennpluggen før du utfører vedlikehold på enheten. Ikke frakoble tennpluggen før justering av forgasseren.

MONTERING



ADVARSEL: Les kapittelet om sikkerhet før du monterer produktet.

Slik monterer du øvre blåserør

1. Still sporet på det øvre blåserøret (A) på linje med tappen på blåserutgangen (B). (Fig. 23)
2. Skyv det øvre blåserøret helt inn på blåserutgangen.
3. Drei det øvre blåserøret helt til hullet i røret er på linje med gjengene i mutteren i blåserutgangen. (Fig. 24)
4. Sett inn skruen (C). (Fig. 25)
5. Drei skruen med urviseren med en skrutrekker for å feste røret.

Slik monterer du nedre blåserør

1. Still sporene på det nedre blåserøret (A) på linje med tappene på det øvre blåserøret (B). (Fig. 26)
2. Skyv det nedre blåserøret helt inn på det øvre blåserøret.
3. Drei det nedre blåserøret helt til det festes til tappen i enden av sporet. (Fig. 27)

Slik monterer du VX-™ blåserøret

1. Still sporene på VX-™ blåserøret (A) på linje med tappene på det øvre blåserøret (B). (Fig. 28)
2. Skyv VX-™ blåserøret helt inn på det øvre blåserøret.
3. Drei VX-™ blåserøret helt til det festes til tappen i enden av sporet. (Fig. 29)

Slik monterer du øvre vakuurrør

1. Sett en skrutrekker-spiss inn i låseområdet på vakuuminntaket. (Fig. 30)
2. Vipp forsiktig håndtaket på skrutrekkeren mot fronten av produktet for å løsne låsehaken.

3. Hold vakuuminntaksdekselet åpent til det øvre vakuurrøret er montert. (Fig. 31)
4. Still ribben på innsiden av vakuuminntaket på linje med sporene på det øvre vakuurrøret.

Merk: Still indikatorene på vakuuminntakets åpning og på det øvre vakuurrøret i forhold til hverandre.

5. Skyv det øvre vakuurrøret helt inn i vakuuminntaket.
6. Drei det øvre vakuurrøret med urviseren til du merker et klikk. (Fig. 32)

Slik monterer du nedre vakuurrør

1. Still sporet på det nedre vakuurrøret på linje med tappen på det øvre vakuurrøret.
2. Skyv det nedre vakuurrøret helt inn på det øvre vakuurrøret til det festes til tappen i enden av sporet. (Fig. 33)
3. Sett inn skruen.
4. Drei skruen med urviseren med en skrutrekker for å feste røret. (Fig. 34)

Slik monterer du røret til oppsamlingsposen

1. Still sporet på røret til oppsamlingsposen (A) på linje med tappen på blåserutgangen (B). (Fig. 35)
2. Skyv røret til oppsamlingsposen helt inn på blåserutgangen.
3. Drei røret til oppsamlingsposen helt til hullet i røret er på linje med gjengene i mutteren i blåserutgangen. (Fig. 36)
4. Sett inn skruen (C).
5. Drei skruen med urviseren med en skrutrekker for å feste røret. (Fig. 37)

DRIFT



ADVARSEL: Les og forstå kapittelet om sikkerhet før du bruker produktet.

Drivstoff

Bruke drivstoff



OBS: Dette produktet har en totaktsmotor. Bruk en blanding av bensin og totaktsmotorolje. Pass på å bruke riktig mengde olje i blandingen. Feil forhold

mellom bensin og olje kan føre til skade på motoren.

Bensin



OBS: Ikke bruk bensin med et oktantal som er mindre enn 90 RON (87 AKI). Dette kan skade produktet.



OBS: Ikke bruk bensin med mer enn 10 % etanolkonsentrasjon (E10). Dette kan skade produktet.

- Bruk alltid ny blyfri bensin med et minste oktantall på 90 RON (87 AKI) og med mindre enn 10 % etanolkonsentrasjon (E10).
- Bruk bensin med høyere oktantall hvis du ofte bruker produktet ved kontinuerlig høyt motorturtall.

Totaktsmotorolje

- Bruk bare totaktsmotorolje av høy kvalitet. Bruk bare en luftkjølt motorolje.
- Ikke bruk andre typer olje.
- Blandingsforhold 50:1 (2 %)

Bensin	Olje
1 US gallon	77 ml
1 UK gallon	95 ml
5 l	100 ml

Blande drivstoffet

Merk: Bruk alltid en ren drivstoffbeholder når du blander drivstoffet.

Merk: Ikke lag drivstoffblanding for mer enn 30 dager.

1. Tilsett halvparten av bensinen.
2. Tilsett all oljen.
3. Rist drivstoffblandingen for å blande innholdet.
4. Fyll på resten av bensinen.
5. Rist drivstoffblandingen for å blande innholdet.
6. Fyll drivstofftanken.

Fylle drivstoff

- Bruk alltid en drivstoffbeholder med overfyllingsbeskyttelse.
- Hvis det er drivstoffrester i beholderen, må du fjerne uønsket drivstoff og la kannen tørke.
- Pass på at området i nærheten av lokket på drivstofftanken er rent.
- Rist drivstoffbeholderen før du fyller drivstoff på tanken.

Starte og stoppe

Før du starter motoren

- Undersøk om produktet har manglende, skadde, løse eller slitte deler.
- Undersøk oppsamlingsposen. Kontroller at oppsamlingsposen er uskadd og at glidelåsen er lukket.
- Undersøk mutrene, skruene og boltene.
- Kontroller luftfilteret.
- Undersøk om gassregulatoren fungerer som den skal.
- Undersøk om stoppbryteren fungerer som den skal.

- Kontroller produktet etter drivstofflekkasjer.

Starte en kald motor



ADVARSEL: Surr aldri startsnoren rundt armen.



OBS: Ikke løft produktet med foten.



OBS: Ikke trekk startsnoren til endestillingen. Ikke slipp startsnoren når den er helt ute. Dette kan skade produktet.

Merk: Hvis motoren stopper, flytter du chokehendelen i lukket posisjon og utfører starttrinnene på nytt.

1. Fyll drivstofftanken med en ren drivstoffblanding.
2. Bruk venstre hånd til å holde kroppen til maskinen på bakken. Kontroller at blåseren er rettet bort fra mennesker, dyr, glass og faste gjenstander.
3. Trykk langsomt på pumpen 10 ganger.
4. Flytt choke-hendelen til posisjonen HALF CHOKE.
5. Press og hold gasspaken.
6. Trekk raskt i startsnorhåndtaket til motoren begynner å gå, men ikke mer enn tre ganger.

Merk: Hvis temperaturen er lavere enn 4 °C (40 °F), må du fortsette å dra i startsnorhåndtaket til motoren forsøker å starte.

7. Flytt choke-hendelen til posisjonen HALF CHOKE.
8. Trekk raskt i startsnorhåndtaket til motoren går.
9. La motoren gå i 10 sekunder.
10. Flytt choke-hendelen til posisjonen NO CHOKE.

Starte en varm motor

1. Trykk langsomt på pumpen 10 ganger.
2. Flytt choke-hendelen til posisjonen HALF CHOKE.
3. Trekk raskt i startsnorhåndtaket til motoren går.
4. Flytt choke-hendelen til posisjonen NO CHOKE.

Start av en motor med dampplås

Dampplås oppstår når drivstoffet i drivstoffledningen eller forgasseren fordamper på grunn av økt varme.

Produktet kan ha dampplås hvis det ikke startes på nytt i en omgivelsestemperatur på mer enn 35 °C (95 °F), og det har vært slått av i 15–45 minutter.

1. Trykk på pumpen igjen og igjen i 10–15 sekunder.
2. Flytt choke-hendelen til posisjonen HALF CHOKE.
3. Trekk raskt i startsnorhåndtaket til motoren går.
4. La motoren varmes opp i tre minutter på tomgang.

5. Flytt choke-hendelen til posisjonen NO CHOKE.

Slik slår du av motoren

- Trykk inn og slipp motorens STOPP-bryter. Bryteren vil automatisk gå tilbake til ON-stillingen (på). Vent i sju sekunder før du prøver å starte produktet på nytt, slik at du sikrer at bryteren tilbakestilles.

Slik justerer du VX-™ blåserøret

1. Still riktig spor (A eller B) på det ytre VX-™ blåserøret på linje med tappen (C) på det indre røret. (Fig. 38)

Merk: Du kan ikke se tappen når rørene er montert. Du må føle deg frem til plasseringen av tappen mens du flytter det ytre røret.

Merk: Fest røret til tappen i posisjon A for å få en stor blåseråpning. En stor blåseråpning kan flytte brede områder med tørt løv eller annet uønsket materiale. Fest røret til tappen i posisjon B for å få en liten blåseråpning. En liten blåseråpning gir en raskere luftstrøm for rengjøring av sprekker og kanter og flytting av tungt materiale som vått løv.

2. Drei det ytre røret som vist nedenfor, for å få tappen ut av sporet. (Fig. 39)
3. Flytt det ytre røret langs det indre røret for å endre posisjonen. (Fig. 40)
4. Drei det ytre røret som vist nedenfor, helt til røret er trygt festet til tappen i enden av den riktige sporplasseringen. (Fig. 41)

Bruksposisjon

- Løvblåser (Fig. 42)
- Vakuum (Fig. 43)

Støvsuge

Før du støvsuger må du ta på det nødvendige sikkerhetsutstyret.



ADVARSEL: Les og forstå kapittelet om sikkerhet før du rengjør, reparerer eller utfører likehold på produktet.

Vedlikeholdsskjema

Kontroller at du følger vedlikeholdsskjemaet. Intervallene er beregnet med utgangspunkt i daglig bruk av produktet. Intervallene er annerledes hvis du ikke bruker produktet hver dag. Utfør bare vedlikehold som du finner i denne bruksanvisningen. Snakk med et godkjent servicesenter om annet vedlikehold som ikke finnes i denne bruksanvisningen.

Daglig vedlikehold

- Rengjør de utvendige flatene.



ADVARSEL: Kontroller at oppsamlingsposen er uskadd og at glidelåsen er lukket før bruk. Ikke bruk en pose som er skadet. Dette forhindrer skade som følge av flygende gjenstander. Venstrehendt bruk øker risikoen. Ikke la kroppen berøre utslippsutgangen.



ADVARSEL: Ikke start blåseren hvis innsugingsdekslet er åpent eller skadet (unntatt hvis sugerøret er festet).

- Når du bruker blåseren, skal oppsamlingsposen støttes av skulderstroppen. Stroppen må bæres på øvre del av skulderen.
- Start blåseren. Følg instruksene i delene for starting og stopping *Starte og stoppe på side 195*. Les sikkerhetsinstruksjonene *SIKKERHET på side 191*.

Tømme oppsamlingsposen



ADVARSEL: Undersøk alltid oppsamlingsposen. Kontroller at det ikke er skadet og at glidelåsen er lukket før bruk. Ikke bruk en skadet pose. Det foreligger fare for personskade på grunn av flygende oppsamlingsmasse. Vær forsiktig hvis den brukes venstrehendt. Ikke berør utslippsutgangen.

1. Slå av produktet.
2. Åpne glidelåsen på siden.
3. Tøm oppsamlingsposen.
4. Lukk glidelåsen.

VEDLIKEHOLD

- Undersøk funksjonene for turtallsregulering og gassregulatorene. Skift skadede deler.
- Kontroller stoppbryteren. Skift den ut om nødvendig.
- Kontroller tomgangsturtallet.
- Rengjør luftfilteret. Skift den ut om nødvendig.
- Kontroller at innsugingsdekslet kan låses i lukket stilling. Kontroller at løpehjulene er rent.
- Stram alle muttere og skruer.
- Kontroller at husene er fri for sprekker.
- Kontroller at oppsamlingsposen er uskadd og at glidelåsen fungerer. Skift ut posen ved behov.

Ukentlig ettersyn

- Kontroller tilstanden til startmotoren, startsnoren og fjærspenningen. Skift ut alle skadede deler.

- Kontroller tilstanden til luftinntak på startmotoren. Fjern rusk hvis luftinntaket er tett.
- Rengjør tennpluggen utvendig. Ta den ut og kontroller elektroavstanden. Juster avstanden til 6 mm, eller skift tennplugg.
- Rengjør bladene på løpehjulet.
- Rengjør gnistfangerskjermen og skift den om nødvendig (ikke på lydempere med katalysator).
- Rengjør forgasserområdet.
- Rengjør luftfilteret.

Månedlig ettersyn

- Undersøk startsnoren og håndtaket på startsnoren.
- Rengjør drivstofftanken.
- Rengjør forgasseren og området rundt denne.
- Rengjør bladene på løpehjulet.
- Kontroller drivstofflinjene for sprekker eller annen skade. Skift det om nødvendig
- Skift drivstoffilteret i drivstofftanken.
- Undersøk alle kabler og forbindelser.
- Skift tennplugg.
- Skift luftfilteret.

Årlig vedlikehold

- Kontroller tennpluggen.
- Rengjør de utvendige flatene på forgasseren og tilstøtende områder.
- Rengjør kjølesystemet.
- Kontroller gnistfangerskjermen.
- Kontroller drivstoffilteret.
- Se etter skade på drivstoffslangen.
- Undersøk alle kabler og forbindelser.

Vedlikehold etter 50 timer

- Få et godkjent servicesenter til å reparere eller skifte ut lydempere.

Justere tomgangsturtallet

Kontroller at luftfilteret er rent og at luftfilterlokket er festet før du justerer tomgangsturtallet.

Juster tomgangsturtallet med tomgangsjusteringsskruen. (Fig. 44)

Tomgangsturtallet er korrekt når motoren går jevnt i alle stillinger.

1. Vri justeringsskruen for tomgang med urviseren for å øke hastighet.
2. Vri justeringsskruen for tomgang mot urviseren for å senke hastigheten.

Utføre vedlikehold av gnistfangerskjermen

Bruk en stålbørste for å rengjøre gnistfangerskjermen.

Rengjøre kjølesystemet

Rengjør delene til kjølesystemet med en børste.

Kontrollere tennpluggen



OBS: Bruk alltid anbefalt type tennplugg. Feil tennpluggtype kan føre til skade på produktet.

- Undersøk tennpluggen hvis motorens effekt er for lav, ikke er enkel å starte eller ikke fungerer riktig på tomgang.
- Følg disse instruksjonene for å redusere risikoen for uønsket materiale på tennpluggenes elektroder:
 - a) Pass på at tomgangsturtallet er riktig justert.
 - b) Pass på at drivstoffblandingen er riktig.
 - c) Kontroller at luftfilteret er rent.
- Hvis tennpluggen har mye belegg, rengjør du den, og kontroller samtidig at elektroavstanden er riktig. Se *TEKNISKE DATA på side 197.* (Fig. 45)
- Skift tennplugg om nødvendig.

Utføre vedlikehold av luftfilteret

Rengjøre luftfilteret

1. Ta av luftfilterdekselet og fjern luftfilteret.
2. Rengjør luftfilteret med varmt såpevann. Sørg for at luftfilteret er tørt før du monterer det.
3. Skift luftfilteret hvis det er for skittent til å rengjøres ordentlig. Bytt alltid ut skadet luftfilter.
4. Påfør luftfilterolje hvis produktet har et luftfilter i skum. Påfør luftfilterolje bare på et skumfilter. Ikke påfør olje på et filtfilter.

TEKNISKE DATA

	enhet	GBV 322 (GHB28VPR)	GBV 322VX (GHB28VPR)
Motorspesifikasjoner			
Sylindervolum	cm ³	26	26

	enhet	GBV 322 (GHB28VPR)	GBV 322VX (GHB28VPR)
Elektrodeavstand	mm	0,6	0,6
Drivstofftankvolum	cm ³	500	500
Tomgangshastighet	min ⁻¹	2800–3200	2800–3200
Maksimalt turtall	min ⁻¹	8000	8000
Avgitt effekt	kW	0,8	0,8
Tennplugg		Champion RCJ-6Y	Champion RCJ-6Y
Maksimalt turtall i blåsemodus	min ⁻¹	8600	8600
Maksimalt turtall i sugemodus	min ⁻¹	--	7500
Holdbarhetsperiode, utslipp	h	50	50
Støy- og vibrasjonsdata			
Ekvivalent vibrasjonsnivå i håndtak med blåserør og munnstykke (original) – se merknad 1	m/s ²	7,5	7,5
Ekvivalent vibrasjonsnivå i håndtak med sugerør (originale), venstre/høyre – se merknad 1	m/s ²	7,4	7,4
Ekvivalent lydtryknivå i ørene til brukeren målt i henhold til ISO 22868, utstyrt med blåserør og munnstykke (original) – se merknad 3	dB(A)	95,6	95,6
Lydeffektnivå, garantert (L _{WA}) – se merknad 2	dB(A)	112	112
Lydeffektnivå, målt – se merknad 2	dB(A)	109	109
Produktmå			
Vekt	kg	4,4	4,5
<p>Merknad 1: Rapporterte data for ekvivalent vibrasjonsnivå har en typisk statistisk spredning (standardavvik) på 1,5 m/s².</p> <p>Merknad 2: Utslipp av støy til omgivelsene målt som lydeffekt (L_{WA}) samsvarer med EF-direktiv 2000/14/EF. Rapporterte lydeffektnivåer for maskinen er målt med det originale utstyret som gir høyest nivå. Forskjellen mellom garantert og målt lydeffekt er at garantert lydeffekt også omfatter spredning i måleresultatet og variasjoner mellom forskjellige maskiner av samme modell, i henhold til direktivet 2000/14/EF.</p> <p>Merknad 3: Rapporterte data for ekvivalent lydtryknivå for maskinen har en typisk statistisk spredning (standard avvik) på 3 dB(A).</p>			

Vifte	enhet	GBV 322	GBV 322VX
Type		Radialvifte	Radialvifte
Maks. lufthastighet, standardmunnstykke	km/t	322	-
Maks. lufthastighet, VX-™ blåserør*	km/t	-	370
Luftvolumet i blåsemodus	cfm	370	450
Luftvolum i sugemodus	cfm	490	490

Vifte	enhet	GBV 322	GBV 322VX
Bioklippgrad		10:1	16:1
*valgfrøtt tilbehør			

INNHOLDET I EF-SAMSVARSERKLÆRINGEN

Vi, Husqvarna AB, SE 561 82 Huskvarna, SVERIGE, erklærer under eneansvar at dette produktet:

Beskrivelse	Bensindrevet løvblåser/ blåser-suger
Merke	McCulloch
Plattform/type/modell	Plattform GHB28VPR, som representerer modellene GBV 322, GBV 322VX
Parti	Serienummer datert 2018 og senere

fullstendig overholder følgende EU-direktiver og -forskrifter:

Direktiv/regulering	Beskrivelse
2006/42/EF	«angående maskiner»
2014/30/EU	«angående elektromagnetisk kompatibilitet»
2000/14/EF	«angående utendørsstøy»

Harmoniserte standarder og/eller tekniske spesifikasjoner anvendt er som følger: EN ISO 12100, EN 15503, CISPR 12, ISO 14982

I samsvar med direktivet 2000/14/EF, tillegg V står de oppgitte lydverdiene oppført i kapittelet om tekniske data i denne håndboken og i den signerte EF-samsvarserklæringen.

TÜV Rheinland N.A. har utført en frivillig typekontroll på vegne av Husqvarna AB, som bekrefter at en utstyrstype er i overensstemmelse med EF-direktiv 2006/42/EF om maskiner.

Sertifikatet, som følger med den signerte EF-samsvarserklæringen, gjelder for alle produksjonssteder og opprinnelsesland, slik det står oppgitt på produktet.

Medfølgende bensindrevet blåser/blåser-suger er i samsvar med det eksemplaret som undergikk undersøkelsen.

SPIS TREŚCI

WSTĘP.....	200	KONSERWACJA.....	207
BEZPIECZEŃSTWO.....	201	DANE TECHNICZNE.....	209
MONTAŻ.....	204	TREŚĆ DEKLARACJI ZGODNOŚCI Z	
OBSŁUGA.....	205	NORMAMI WE.....	210

WSTĘP

Instrukcja obsługi

Oryginalnym językiem niniejszej instrukcji obsługi jest angielski. Instrukcje obsługi w innych językach są tłumaczone z angielskiego.

Przegląd

(Rys. 1)

1. Pas naramienny
2. Spust przepustnicy
3. Wyłącznik
4. Sterowanie prędkością
5. Obudowa wentylatora
6. Zakrętka zbiornika paliwa
7. Filtr powietrza
8. Dźwignia ssania
9. Pompka
10. Pokrywa wlotu
11. Uchwyt odkurzacza
12. Nóż mulczujący (GBV 322VX)
13. Wirnik wentylatora
14. Dolna rura dmuchawy (GBV 322)
15. VX™ rura dmuchawy (GBV 322VX)
16. Górna rura dmuchawy
17. Śruba
18. Tłumik
19. Listwa uziemiająca
20. Rączka linki rozrusznika
21. Urządzenie rozruchowe
22. Uchwyt
23. Narzędzie wielofunkcyjne
24. Rura worka odkurzacza
25. Worek odkurzacza
26. Rura odkurzacza w dwóch częściach
27. Śruba
28. Instrukcja obsługi

Symbole znajdujące się na produkcie

(Rys. 2) Ostrzeżenie

(Rys. 3) Przeczytać niniejszą instrukcję

(Rys. 4) Stosować atestowane środki ochrony głowy

(Rys. 5) Stosować atestowane ochronniki słuchu

(Rys. 6) Stosować atestowaną ochronę oczu (ANSI Z87.1 lub podobną)

(Rys. 7) Stosować atestowane rękawice ochronne i buty

(Rys. 8) Nosić długie spodnie i odzież z długim rękawem

(Rys. 9) Nie nosić biżuterii podczas obsługi produktu.

(Rys. 10) Użyć końcówki śrubokrętu w celu zwolnienia zaczepu.

(Rys. 11) Nie zasysać kamieni, żwiru, metali, tłuczonego szkła, rozdrobnionej gumy ani innego materiału, który może spowodować uszkodzenie wirnika.

(Rys. 12) Należy pamiętać o niebezpieczeństwie wyrzucania przedmiotów, które mogą spowodować uszkodzenie wzroku

(Rys. 13) Nie wolno zbliżać się do wirnika, gdy się obraca

(Rys. 14) Pełne ssanie

(Rys. 15) Średnie ssanie

(Rys. 16) Brak ssania

(Rys. 17) Związać długie włosy powyżej ramion.

(Rys. 18) Bezpieczna odległość

(Rys. 19) Gwarantowany poziom mocy akustycznej

(Rys. 20) Maszyna jest zgodna z odpowiednimi dyrektywami Rady Europejskiej.

(Rys. 21) Maszyna jest zgodna z odpowiednimi dyrektywami EAC.

(Rys. 22) Maszyna jest zgodna z odpowiednimi dyrektywami obowiązującymi na Ukrainie.

Uwaga: Pozostałe symbole/naklejki samoprzylepne umieszczone na produkcie dotyczą wymogów związanych z certyfikatami w innych obszarach komercyjnych.

UE V



OSTRZEŻENIE: Ingerencja w silnik powoduje unieważnienie europejskiego zatwierdzenia typu produktu.

BEZPIECZEŃSTWO

Definicje dotyczące bezpieczeństwa

Poniższe definicje nadają poziom znaczenia każdemu słowu sygnałowemu.



OSTRZEŻENIE: Obrażenia osób.



UWAGA: Uszkodzenie produktu.

Uwaga: Ta informacja ułatwia używanie maszyny.

Ogólne zasady bezpieczeństwa

- Należy prawidłowo używać maszyny. Nieprawidłowe używanie grozi obrażeniami lub śmiercią. Maszyny należy używać wyłącznie do zadań opisanych w niniejszej instrukcji. Nie używać produktu do innych zadań.
- Przestrzegać informacji zawartych w niniejszej instrukcji. Stosować się do symboli i zasad bezpieczeństwa. W przypadku nieprzestrzegania instrukcji i symboli istnieje ryzyko wystąpienia obrażeń, uszkodzeń lub śmierci.
- Nie wolno wyrzucać tej instrukcji. Należy stosować się do instrukcji montażu, obsługi i konserwacji produktu. Należy stosować się do instrukcji montażu osprzętu i akcesoriów. Stosować wyłącznie zatwierdzony osprzęt i akcesoria.
- Nie wolno używać uszkodzonego produktu. Przestrzegać planu konserwacji. Przeprowadzać wyłącznie te prace konserwacyjne, które są opisane w tej instrukcji. Wszystkie inne prace konserwacyjne muszą być wykonywane przez autoryzowane centrum serwisowe.
- Niniejsza instrukcja nie obejmuje wszystkich sytuacji, które mogą wystąpić podczas używania produktu.

Odpowiedzialność za produkt

Zgodnie z przepisami dotyczącymi odpowiedzialności za produkt nie ponosimy odpowiedzialności za szkody spowodowane przez nasz produkt, jeśli:

- produkt jest nieprawidłowo naprawiany.
- produkt jest naprawiany przy użyciu części niepochodzących od producenta lub niezatwierdzonych przez producenta.
- produkt jest wyposażony w akcesoria niepochodzące od producenta lub niezatwierdzone przez producenta.
- produkt nie jest naprawiany w autoryzowanym centrum serwisowym lub przez autoryzowaną placówkę.

- Należy zachować ostrożność i kierować się zdrowym rozsądkiem. Nie wolno obsługiwać produktu lub wykonywać prac konserwacyjnych w przypadku braku pewności co do danej sytuacji. Skontaktować się ze specjalistą ds. produktu, dealerem, warsztatem obsługi technicznej lub autoryzowanym centrum serwisowym w celu uzyskania informacji.
- Przed przystąpieniem do montażu lub konserwacji oraz na czas długiego przechowywania maszyny odłączyć świecę zapłonową.
- Nie używać produktu w przypadku zmiany jego początkowych specyfikacji. Nie wymieniać części maszyny bez zgody producenta. Używać wyłącznie części zatwierdzonych przez producenta. Nieprawidłowa konserwacja może doprowadzić do obrażeń lub śmierci.
- Nie wdychać spalin z silnika. Długotrwałe wdychanie spalin silnika stanowi zagrożenie dla zdrowia.
- Nigdy nie włączać urządzenia w pomieszczeniach zamkniętych lub w pobliżu materiałów łatwopalnych. Spaliny mają wysoką temperaturę, a ponadto mogą wraz z nimi wydostawać się iskry, dlatego stanowią zagrożenie pożarowe. Niewystarczający przepływ powietrza może doprowadzić do obrażeń lub śmierci na skutek uduszenia lub zatrucia tlenkiem węgla.
- Podczas używania maszyny silnik wytwarza pole elektromagnetyczne. Może ono spowodować uszkodzenie implantów medycznych. Przed użyciem produktu należy skontaktować się z lekarzem oraz producentem implantu medycznego.
- Nie pozwalać dzieciom używać maszyny. Nie pozwalać osobom nieznającym instrukcji na korzystanie z produktu.
- Należy zawsze kontrolować osobę o ograniczonych możliwościach fizycznych lub umysłowych podczas używania produktu. Zawsze musi jej towarzyszyć odpowiedzialna osoba dorosła.
- Przechowywać maszynę w miejscu niedostępnym dla dzieci i nieuprawnionych osób.

- Maszyna może wyrzucać przedmioty i powodować obrażenia. Należy przestrzegać zasad bezpieczeństwa, aby zmniejszyć ryzyko odniesienia obrażeń lub śmierci.
- Nie odchodzić od maszyny podczas pracy silnika.
- Operator maszyny jest odpowiedzialny za ewentualne wypadki.
- Przed przystąpieniem do używania produktu upewnić się, że części nie są uszkodzone.
- Zachować odległość co najmniej 15 m (50 stóp) od innych osób lub zwierząt przed przystąpieniem do używania maszyny. Powiadomić osoby przebywające w pobliżu o zamiarze używania maszyny.
- Stosować się do przepisów krajowych lub lokalnych. Mogą one zabraniać lub ograniczać używanie produktu w niektórych sytuacjach.
- Osoba, która jest zmęczona lub pod wpływem alkoholu, narkotyków lub leków nie może obsługiwać urządzenia. Wymienione substancje mogą negatywnie wpływać na wzrok, zdolność oceny sytuacji i panowanie nad wykonywanymi ruchami.
- Nie używać produktu w miejscu z niezadawalającym przepływem powietrza. Jeśli przepływ powietrza jest niewystarczający, może to doprowadzić do obrażeń lub śmierci na skutek uduszenia lub zatrucia tlenkiem węgla.
- Tłumik jest bardzo gorący podczas pracy produktu, po jego wyłączeniu i podczas pracy na biegu jałowym. Zachować ostrożność w pobliżu materiałów łatwopalnych i łatwopalnych oparów.
- Nie wolno dotykać obszaru osłony wlotu. Biżuterię i luźno zwisającą odzież należy trzymać z dala od obszaru wlotu.
- Zawsze należy zachowywać prawidłową postawę i obsługiwać produkt tylko na bezpiecznych i poziomych powierzchniach. Śliskie lub niestabilne powierzchnie, takie jak drabiny, mogą spowodować utratę równowagi lub kontroli.
- Produktu nie wolno używać na wysokości, np. na dachu.
- Zabezpieczyć urządzenie na czas transportu.
- Produkt należy obsługiwać tylko w zalecanych godzinach. Należy przestrzegać lokalnych przepisów. Zazwyczaj przyjmuje się, że prace mogą być wykonywane w godzinach od 9:00 do 17:00, od poniedziałku do soboty.
- Produktu należy używać z najniższym możliwym ustawieniu przepustnicy wystarczającym do wykonania danej pracy.
- Należy zabezpieczyć się przed upadkiem podczas używania produktu. Nie pochylać się podczas używania produktu.
- Przed pracą należy się upewnić, że produkt jest w dobrym stanie; zwłaszcza tłumik, wlot powietrza i filtr powietrza.
- Przed rozpoczęciem pracy z produktem należy użyć grabi lub miotły, aby złuzować zanieczyszczenia podłoża.
- Jeśli obszar roboczy jest brudny, należy spryskać go wodą z węża.
- Produktu należy używać jako alternatywy dla węża, aby oszczędzać wodę.
- Zdmuchiwać odpadki w bezpieczny sposób. Zwracać uwagę na dzieci, zwierzęta, otwarte okna i pojazdy.
- Produktu nie wolno kierować na rośliny, które można łatwo uszkodzić.
- Nie wolno kierować strumienia powietrza w stronę takich obiektów, jak ściany, duże kamienie, pojazdy i ogrodzenia.
- Jeśli prace są wykonywane w wewnętrznych narożach, należy dmuchać od rogu i w stronę środka obszaru roboczego. W przeciwnym razie zanieczyszczenia mogą trafić operatora w twarz i spowodować obrażenia oczu.
- Aby utrzymać strumień powietrza w pobliżu ziemi, należy użyć pełnego wydłużenia dyszy.
- Osoby postronne muszą nosić ochronę oczu.
- Po użyciu produktu należy wyrzucić zanieczyszczenia do pojemników na odpady.

Zasady bezpieczeństwa związane z emisją drgań

Ten produkt jest przeznaczony tylko do sporadycznego użytkowania. Ciągłe lub regularne użytkowanie produktu może prowadzić do choroby zwanej „białymi palcami” lub podobnych problemów medycznych wynikających z drgań. Sprawdzić stan dłoni i palców w przypadku ciągłego lub regularnego użytkowania produktu. W przypadku odbarwienia dłoni lub palców, bólu, mrowienia lub braku czucia należy wstrzymać pracę i natychmiast skonsultować się z lekarzem.

Zasady bezpieczeństwa dotyczące obsługi dmuchawy

- Produktu można używać tylko do wydmuchiwania lub usuwania liści i innych resztek z ziemi.
- Osoba, która jest zmęczona, chora lub używała alkoholu, narkotyków lub leków, nie może obsługiwać produktu.
- Osoby postronne ani zwierzęta nie mogą znajdować się bliżej niż 15 m (50 stóp) od operatora.
- Produkt może z dużą prędkością wyrzucać przedmioty, które po rykoszecie mogą uderzyć operatora. Może to spowodować uszkodzenie oczu.
- Dyszy dmuchawy nie wolno kierować w stronę ludzi ani zwierząt.
- Związać długie włosy powyżej ramion.
- Przed montażem lub demontażem akcesoriów oraz innych elementów należy zatrzymać silnik.
- Nie obsługiwać produktu bez założonej osłony.
- Nie używać maszyny, jeśli w obszarze pracy znajdują się osoby trzecie. Zatrzymać maszynę, jeśli inna osoba znajdzie się w obszarze pracy.
- Produktu można używać tylko do wydmuchiwania lub usuwania liści i innych resztek z ziemi.
- Osoba, która jest zmęczona, chora lub używała alkoholu, narkotyków lub leków, nie może obsługiwać produktu.
- Osoby postronne ani zwierzęta nie mogą znajdować się bliżej niż 15 m (50 stóp) od operatora.
- Produkt może z dużą prędkością wyrzucać przedmioty, które po rykoszecie mogą uderzyć operatora. Może to spowodować uszkodzenie oczu.
- Dyszy dmuchawy nie wolno kierować w stronę ludzi ani zwierząt.
- Związać długie włosy powyżej ramion.
- Przed montażem lub demontażem akcesoriów oraz innych elementów należy zatrzymać silnik.
- Nie obsługiwać produktu bez założonej osłony.
- Nie używać maszyny, jeśli w obszarze pracy znajdują się osoby trzecie. Zatrzymać maszynę, jeśli inna osoba znajdzie się w obszarze pracy.
- Produktu należy używać z najniższym możliwym ustawieniu przepustnicy wystarczającym do wykonania danej pracy.
- Należy zabezpieczyć się przed upadkiem podczas używania produktu. Nie pochylać się podczas używania produktu.
- Przed pracą należy się upewnić, że produkt jest w dobrym stanie; zwłaszcza tłumik, wlot powietrza i filtr powietrza.
- Przed rozpoczęciem pracy z produktem należy użyć grabi lub miotły, aby złuzować zanieczyszczenia podłoża.
- Jeśli obszar roboczy jest brudny, należy spryskać go wodą z węża.
- Produktu należy używać jako alternatywy dla węża, aby oszczędzać wodę.
- Zdmuchiwać odpadki w bezpieczny sposób. Zwracać uwagę na dzieci, zwierzęta, otwarte okna i pojazdy.
- Produktu nie wolno kierować na rośliny, które można łatwo uszkodzić.
- Nie wolno kierować strumienia powietrza w stronę takich obiektów, jak ściany, duże kamienie, pojazdy i ogrodzenia.
- Jeśli prace są wykonywane w wewnętrznych narożach, należy dmuchać od rogu i w stronę środka obszaru roboczego. W przeciwnym razie zanieczyszczenia mogą trafić operatora w twarz i spowodować obrażenia oczu.
- Aby utrzymać strumień powietrza w pobliżu ziemi, należy użyć pełnego wydłużenia dyszy.
- Osoby postronne muszą nosić ochronę oczu.
- Po użyciu produktu należy wyrzucić zanieczyszczenia do pojemników na odpady.

Zasady bezpieczeństwa dotyczące obsługi odkurzacza

- Należy zapobiegać uszkodzeniu wentylatora. Nie wolno wciągając dużych, twardych obiektów, takich jak drewno, puszki, mierzwa gumowa, ani długich kawałków sznurka.
- Nie dopuszczaj do kontaktu rury odkurzacza z podłożem.
- Przed usunięciem zatoru lub zatkania należy wyłączyć silnik i odłączyć świecę zapłonową.

Środki ochrony osobistej

- Zawsze należy stosować prawidłowe środki ochrony osobistej podczas używania produktu. Środki ochrony osobistej nie eliminują ryzyka odniesienia obrażeń. Środki ochrony osobistej zmniejszają powagę obrażeń w razie wystąpienia wypadku.
- Podczas używania produktu zawsze stosować zatwierdzoną osłonę oczu.
- Nie obsługiwać produktu boso lub w otwartym obuwiu. Zawsze nosić wytrzymałe buty z podeszwami zapobiegającymi poślizgnięciu.
- Stosować wytrzymałe, długie spodnie.
- Jeśli to konieczne, nosić zatwierdzone rękawice ochronne.
- Stosować kask, jeśli istnieje ryzyko spadnięcia przedmiotów na głowę.
- Podczas używania produktu zawsze stosować zatwierdzoną osłonę zatwierdzone środki ochrony słuchu. Narażenie na działanie hałasu przez długi czas może spowodować utratę słuchu.
- Zawsze należy używać zatwierdzonej maski przeciwpyłowej podczas obsługi produktu w zapyłonych środowiskach.
- Należy zadbać o dostępność zestawu pierwszej pomocy.

Środki zabezpieczające produktu

- Należy zapewnić regularną konserwację produktu.
 - Wyduża się czas eksploatacji produktu.
 - Zmniejsza się ryzyko wypadków.

Autoryzowany diler lub autoryzowane centrum serwisowe powinno regularnie sprawdzać produkt w celu przeprowadzenia regulacji lub napraw.

- Nie używać produktu z uszkodzonym wyposażeniem ochronnym. Jeśli produkt jest uszkodzony, skontaktować się z zatwierdzonym centrum serwisowym.

Wyłącznik

Uruchoić silnik. Sprawdzić, czy silnik wyłącza się po przestawieniu wyłącznika do pozycji zatrzymania.

Tłumik



OSTRZEŻENIE: Nie dotykać gorącego tłumika. Tłumik jest bardzo gorący, gdy silnik pracuje, a także po jego wyłączeniu. Dotknięcie tłumika może spowodować oparzenia.

- Nie używać silnika z uszkodzonym tłumikiem. Uszkodzony tłumik zwiększa poziom hałasu i ryzyko pożaru. Przechowywać gaśnicę w pobliżu.
- Regularnie sprawdzać, czy tłumik jest przymocowany do maszyny.
- Nie dotykać silnika ani tłumika podczas pracy silnika. Nie dotykać silnika ani tłumika przez pewien czas po zatrzymaniu silnika. Dotknięcie gorącej powierzchni może spowodować obrażenia.
- Gorący tłumik może wywołać pożar. Należy zachować ostrożność w przypadku używania produktu w pobliżu łatwopalnych cieczy lub oparów.
- Nie dotykać części tłumika, jeśli jest on uszkodzony. Części mogą zawierać rakotwórcze środki chemiczne.
- Niektóre modele dmuchawy mają osłonę iskrochronną. Osłonę należy czyścić i wymieniać w określonych odstępach czasu. Patrz rozdział Konserwacja (*KONSERWACJA na stronie 207*).

Zasady bezpieczeństwa - paliwo

- Nie uruchamiać produktu, jeśli znajduje się na nim paliwo lub olej silnikowy. Usunąć zabrudzenia paliwem/olejem i odczekać, aż produkt wyschnie. Usunąć niepożądane paliwo z produktu.
- W przypadku rozlania paliwa na ubranie należy je natychmiast zmienić.
- Nie dopuścić do kontaktu paliwa z ciałem, ponieważ może to spowodować obrażenia. Jeśli dojdzie do kontaktu paliwa z ciałem, zmyć paliwo używając wody z mydłem.
- Nie uruchamiać silnika, jeśli doszło do rozlania paliwa lub oleju na maszynę lub na ciało.
- Nie uruchamiać maszyny, jeśli silnik jest nieszczelny. Regularnie sprawdzać silnik pod kątem nieszczelności.
- Zachować ostrożność przy pracy z paliwem. Paliwo jest łatwopalne, a jego opary mogą wybuchnąć, powodując obrażenia lub śmierć.
- Nie wdychać oparów paliwa, ponieważ może to być groźne dla zdrowia lub życia. Zapewnić odpowiednią wentylację.
- Nie palić tytoniu w pobliżu paliwa lub silnika.
- Nie umieszczać gorących przedmiotów w pobliżu paliwa lub silnika.
- Nie dolewać paliwa podczas pracy silnika.
- Przed tankowaniem upewnić się, że silnik jest zimny.
- Przed tankowaniem pomału odkręcić korek zbiornika paliwa i ostrożnie zwolnić ciśnienie.

- Nie dolewać paliwa do silnika w zamkniętym pomieszczeniu. Niewystarczający przepływ powietrza może doprowadzić do obrażeń lub śmierci na skutek uduszenia lub zatrucia tlenkiem węgla.
- Dokładnie dokręcić korek zbiornika paliwa, aby nie dopuścić do pożaru.
- Przed uruchomieniem przesunąć produkt o co najmniej 3 m (10 stóp) od miejsca, w którym było dolewane paliwo.
- Nie wlewać zbyt dużo paliwa do zbiornika.
- Podczas ruchu produktu lub pojemnika na paliwo istnieje niebezpieczeństwo wycieku paliwa. Podjąć odpowiednie działania, aby nie dopuścić do wycieku.
- Nie umieszczać produktu lub pojemnika na paliwo w pobliżu otwartego płomienia, iskry lub płomienia zapłonowego. Należy upewnić się, że w miejscu przechowywania nie ma źródła otwartego płomienia.
- Do transportu i przechowywania paliwa należy używać wyłącznie zatwierdzonych zbiorników.
- Opróżnić zbiornik paliwa przed długim przechowywaniem. Przestrzegać lokalnych przepisów dotyczących utylizacji paliwa.

- Wyczyścić maszynę przed długim przechowywaniem.
- Odłączyć przewód świecy zapłonowej przed przechowywaniem produktu, aby uniemożliwić przypadkowe uruchomienie silnika.

Instrukcje bezpieczeństwa dotyczące konserwacji



OSTRZEŻENIE: Nieprawidłowa konserwacja może doprowadzić do poważnego uszkodzenia silnika lub do poważnych obrażeń.

Właściciel jest odpowiedzialny za konserwację produktu zgodnie z wymaganiami określonymi w instrukcji obsługi. Przed rozpoczęciem konserwacji odłączyć świecę zapłonową. Nie należy odłączać świecy zapłonowej przed regulacją gaźnika.

MONTAŻ



OSTRZEŻENIE: Przed przystąpieniem do montażu produktu zapoznać się z rozdziałem dotyczącym bezpieczeństwa.

Aby zainstalować górną rurę dmuchawy

1. Wyrównać wycięcia górnej rury dmuchawy (A) z wypustami wylotu dmuchawy (B). (Rys. 23)
2. Całkowicie wcisnąć górną rurę dmuchawy w wylot dmuchawego.
3. Obracać górną rurę dmuchawy, aż otwór w rurze wyrówna się z gwintami na nakrętkę na wylocie dmuchawy. (Rys. 24)
4. Przykręcić śrubę (C). (Rys. 25)
5. Przykręcić śrubę w prawo za pomocą śrubokręta, aby zamocować rurę.

Aby zainstalować dolną rurę dmuchawy

1. Wyrównać wycięcia dolnej rury dmuchawy (A) z wypustami górnej rury dmuchawy (B). (Rys. 26)
2. Całkowicie wcisnąć dolną rurę dmuchawy w górną rurę dmuchawego.
3. Obracać dolną rurę dmuchawy, aż wypust zażębi się na końcu wycięcia. (Rys. 27)

Aby zamontować™ rurę dmuchawy VX

1. Wyrównać wycięcia na™ rurze dmuchawy VX (A) z wypustami na dolnej rurze dmuchawy (B). (Rys. 28)
2. Wcisnąć™ rurę dmuchawy VX do końca w dolną rurę dmuchawy.
3. Obracać™ rurę dmuchawy VX, aż wypust zażębi się na końcu wycięcia. (Rys. 29)

Aby zamontować górną rurę odkurzacza

1. Umieścić końcówkę śrubokrętu w obszarze zatrzasku wlotu odkurzacza. (Rys. 30)
2. Delikatnie przechylić uchwyt śrubokrętu do przodu produktu, aby zwolnić zaczep.
3. Trzymać pokrywę wlotu odkurzacza w pozycji otwarcia do momentu zamontowania górnej rury odkurzacza. (Rys. 31)
4. Wyrównać żebro po wewnętrznej stronie wlotu odkurzacza z wycięciami górnej rury odkurzacza.

Uwaga: Wyrównać wskaźniki na otworze wlotu odkurzacza i na górnej rurze odkurzacza.

5. Wcisnąć górną rurę odkurzacza do końca do wlotu odkurzacza.
6. Obrócić górną rurę odkurzacza całkowicie w prawo aż do zatrzasknięcia. (Rys. 32)

Aby zamontować dolną rurę odkurzacza

1. Wyrównać wycięcia na dolnej rurze odkurzacza z wypustem na górnej rurze odkurzacza.
2. Wcisnąć dolną rurę odkurzacza w górną rurę odkurzacza, aż do ząbienia wypustu na końcu wycięcia. (Rys. 33)
3. Wkręć śrubę.
4. Przykręcić śrubę w prawo za pomocą śrubokręta, aby zamocować rurę. (Rys. 34)

Aby zamontować rurę worka odkurzacza

1. Wyrównać wycięcie rury worka odkurzacza (A) z wypustem wylotu dmuchawy (B). (Rys. 35)

2. Wcisnąć rurę worka odkurzacza w całości w wylot dmuchawy.
3. Obracać rurę worka odkurzacza, aż otwór w rurze wyrówna się z gwintami na nakrętce na wylocie dmuchawy. (Rys. 36)
4. Przykręcić śrubę (C).
5. Przykręcić śrubę w prawo za pomocą śrubokręta, aby zamocować rurę. (Rys. 37)

OBSŁUGA



OSTRZEŻENIE: Przed przystąpieniem do używania produktu zapoznać się z rozdziałem dotyczącym bezpieczeństwa.

Paliwo

Używanie paliwa



UWAGA: Produkt jest wyposażony w silnik dwusuwowy. Używać mieszanki benzyny i oleju do silników dwusuwowych. Upewnić się, że mieszanka zawiera odpowiednią ilość oleju. Nieprawidłowa proporcja benzyny i oleju może spowodować uszkodzenie silnika.

Benzyna



UWAGA: Nie używać benzyny o liczbie oktanowej niższej niż 90 RON (87 AKI). Niezastosowanie się do tego zalecenia może spowodować uszkodzenie produktu.



UWAGA: Nie używać benzyny o stężeniu etanolu większym niż 10% (E10). Niezastosowanie się do tego zalecenia może spowodować uszkodzenie produktu.

- Zawsze należy używać nowej benzyny bezołowiowej o liczbie oktanowej nie mniejszej niż 90 RON (87 AKI) oraz o stężeniu etanolu mniejszym niż 10% (E10).
- Używać benzyny o wyższej liczbie oktanowej, jeśli maszyna często pracuje przy wysokiej prędkości obrotowej silnika.

Olej do silników dwusuwowych

- Używać wyłącznie wysokiej jakości oleju do silników dwusuwowych. Używać wyłącznie oleju silnikowego do silników chłodzonych powietrzem.
- Nie używać innych rodzajów olejów.
- Proporcje mieszanki to 50:1 (2%)

Benzyna	Olej
1 gal. amerykański	77 ml (2,6 oz)
1 gal. bryt.	95 ml (3,2 oz)
5 l	100 ml (3,4 oz)

Mieszanie paliwa

Uwaga: Do mieszania paliwa zawsze należy używać czystego pojemnika na paliwo.

Uwaga: Nie przygotowywać zbyt dużo mieszanki paliwowej. Przygotować maksymalnie ilość wystarczającą na 30 dni.

1. Wlać połowę ilości benzyny.
2. Wlać pełną ilość oleju.
3. Wstrząsnąć mieszankę, aby wymieszać składniki.
4. Wlać pozostałą ilość benzyny.
5. Wstrząsnąć mieszankę, aby wymieszać składniki.
6. Napełnić zbiornik paliwa.

Dolewanie paliwa

- Zawsze stosować kanister z zabezpieczeniem przeciw przelewaniu paliwa.
- Jeśli na pojemniku znajdują się resztki paliwa, oczyścić pojemnik i zaczekać, aż wyschnie.

- Sprawdzić, czy obszar wokół nakrętki zbiornika paliwa jest czysty.
- Wstrząsnąć pojemnik na paliwo przed dolaniem mieszanki paliwowej do zbiornika paliwa.

Uruchamianie i wyłączenie

Przed uruchomieniem silnika

- Sprawdzić maszynę pod kątem brakujących, uszkodzonych, poluzowanych lub zużytych części.
- Sprawdzić worek odkurzacza. Upewnić się, że worek odkurzacza nie jest uszkodzony oraz że zamek błyskawiczny jest zamknięty.
- Sprawdzić nakrętki i śruby.
- Sprawdzić filtr powietrza.
- Sprawdzić poprawne działanie manetki gazu.
- Sprawdzić działanie przełącznika wyłączenia.
- Sprawdzić urządzenie pod kątem wycieków paliwa.

Uruchamianie zimnego silnika



OSTRZEŻENIE: Nie owijać linki rozrusznika wokół ramienia.



UWAGA: Nie przytrzymywać produktu stopą.



UWAGA: Nie wolno ciągnąć za linkę rozrusznika do położenia końcowego. Nie puszczać uchwytu linki rozrusznika, gdy jest wyciągnięta. Niezastosowanie się do tego zalecenia może spowodować uszkodzenie produktu.

Uwaga: W przypadku wyłączenia się silnika przestawić dźwignię ssania do pozycji zamkniętej i ponownie wykonać czynności rozruchowe.

1. Zbiornik paliwa napełniać czystą mieszanką paliwową.
2. Lewą ręką należy przytrzymać korpus maszyny na ziemi. Upewnić się, że końcówka dmuchawy jest skierowana z dala od osób, zwierząt, szkła i dużych obiektów.
3. Powoli nacisnąć gumową gruszkę ręcznej pompki paliwowej 10 razy.
4. Przesunąć dźwignię ssania do pozycji FULL CHOKE (Pełne ssanie).
5. Nacisnąć i przytrzymać spust przepustnicy
6. Maksymalnie 3 razy szybko pociągnąć za rączkę linki rozrusznika, aż dojdzie prawie do rozruchu silnika.

Uwaga: W przypadku temperatury niższej niż 4°C (40°F) należy pociągnąć za linkę rozrusznika, aż dojdzie prawie do rozruchu silnika.

7. Przesunąć dźwignię ssania do pozycji HALF CHOKE (Średnie ssanie).
8. Szybko pociągnąć za uchwyt linki rozrusznika aż do uruchomienia silnika.
9. Silnik powinien pracować przez 10 s.
10. Przesunąć dźwignię ssania do pozycji NO CHOKE.

Uruchamianie rozgrzanego silnika

1. Powoli nacisnąć gumową gruszkę ręcznej pompki paliwowej 10 razy.
2. Przesunąć dźwignię ssania do pozycji HALF CHOKE (Średnie ssanie).
3. Szybko pociągnąć za uchwyt linki rozrusznika aż do uruchomienia silnika.
4. Przesunąć dźwignię ssania do pozycji NO CHOKE.

Uruchamianie silnika z korkiem parowym

Korek parowy powstaje, kiedy paliwo w przewodzie paliwowym lub gaźniku paruje z powodu podwyższonej temperatury.

Korek parowy może wystąpić w produkcie, jeśli nie zostanie on uruchomiony ponownie w temperaturze otoczenia powyżej 35°C (95°F) i będzie wyłączony przez 15–45 minut.

1. Naciskać gruszkę pompki paliwowej przez 10–15 sekund.
2. Przesunąć dźwignię ssania do pozycji HALF CHOKE (Średnie ssanie).
3. Szybko pociągnąć za uchwyt linki rozrusznika aż do uruchomienia silnika.
4. Odczekać 3 minuty, aż silnik nagrzej się na biegu jałowym.
5. Przesunąć dźwignię ssania do pozycji NO CHOKE.

Zatrzymywanie silnika

- Nacisnąć i zwolnić wyłącznik silnika. Przełącznik automatycznie powróci do pozycji ON (wł.). Odczekać 7 s przed próbą ponownego uruchomienia produktu, aby upewnić się, że przełącznik zostanie zresetowany.

Aby wyregulować™ rurę dmuchawy VX

1. Wyróżnić właściwe wycięcie (A lub B) na zewnętrznej™ rurze dmuchawy VX z wypustem (C) na rurze wewnętrznej. (Rys. 38)

Uwaga: Wypust jest niewidoczny, gdy rury są zamontowane. Należy wyczuć pozycję wypustu podczas przesuwania rury zewnętrznej.

Uwaga: Zazębic wypust w pozycji „A”, aby uzyskać duży otwór dmuchawy. Duży otwór dmuchawy usuwa suche liście i inne niechciane materiały z dużej powierzchni. Zazębic wypust w pozycji „B”, aby uzyskać mały otwór dmuchawy. Mały otwór dmuchawy wytwarza przepływ powietrza odpowiedni do czyszczenia szczelin i krawędzi oraz do usuwania ciężkich materiałów takich jak mokre liście.

2. Obrócić zewnętrzną rurę w przedstawiony sposób, aby wyjąć wypust z wycięcia. (Rys. 39)
3. Przesunąć zewnętrzną rurę wzdłuż wewnętrznej rury, aby zmienić pozycję. (Rys. 40)
4. Obracać zewnętrzną rurę w przedstawiony sposób, aż wypust całkowicie zazębci się na końcu właściwego wycięcia. (Rys. 41)

Pozycja robocza

- Dmuchawa (Rys. 42)
- Odkurzacz (Rys. 43)

Odkurzanie

Przed odkurzaniem należy założyć niezbędne wyposażenie bezpieczeństwa.



OSTRZEŻENIE: Przed użyciem upewnić się, że worek odkurzacza nie jest uszkodzony oraz że zamek błyskawiczny jest zamknięty. Nie wolno używać uszkodzonego worka. Zapobiegnie to obrażeniom powodowanym przez wyrzucane w powietrze zanieczyszczenia.

Obsługa lewą ręką zwiększa ryzyko. Ciało nie może dotykać obszaru wylotu spalin.



OSTRZEŻENIE: Nie włączać dmuchawy, jeśli pokrywa wlotu jest otwarta lub uszkodzona (z wyjątkiem sytuacji, gdy zamontowana jest rura odkurzacza).

- W czasie pracy dmuchawy worek musi być przytrzymywany przez pasek naramienny. Pasek należy zakładać na górę ramienia.
- Uruchomić dmuchawę. Przestrzegać instrukcji podanych w rozdziale *U uruchamianie i wyłączanie na stronie 206* dotyczącym uruchamiania i wyłączania. Przeczytać zasady bezpieczeństwa *BEZPIECZENSTWO na stronie 201*.

Opróżnianie worka odkurzacza



OSTRZEŻENIE: Zawsze należy sprawdzać worek odkurzacza. Przed użyciem upewnić się, że nie jest on uszkodzony oraz że zamek błyskawiczny jest zamknięty. Nie wolno używać uszkodzonego worka. Wyrzucane z uszkodzonego worka zanieczyszczenia mogą powodować ryzyko odniesienia obrażeń. Należy zachować ostrożność podczas obsługi lewą ręką. Nie wolno dotykać obszaru wylotu spalin.

1. Zatrzymać urządzenie.
2. Otworzyć zamek błyskawiczny z boku.
3. Opróżnić worek odkurzacza.
4. Zamknąć zamek.

KONSERWACJA



OSTRZEŻENIE: Przed czyszczeniem, naprawą lub konserwacją produktu zapoznać się z rozdziałem dotyczącym bezpieczeństwa.

Plan konserwacji

Należy przestrzegać planu konserwacji. Interwały są obliczane dla codziennego używania maszyny. Interwały są inne, jeśli maszyna nie jest używana każdego dnia. Przeprowadzać wyłącznie te prace konserwacyjne, które są opisane w tej instrukcji. W sprawie prac konserwacyjnych, których nie opisano w niniejszej instrukcji, skontaktować się z autoryzowanym centrum serwisowym.

Przegląd codzienny

- Oczyścić powierzchnie zewnętrzne.
- Sprawdzić działanie funkcji regulacji obrotów i manetki gazu. Wymień wadliwe elementy.

- Sprawdzić wyłącznik. W razie potrzeby należy go wymienić.
- Sprawdzić prędkość obrotową biegu jałowego.
- Czyszczenie filtra powietrza. W razie potrzeby należy go wymienić.
- Upewnić się, że pokrywę wlotu można zablokować w pozycji zamkniętej. Zadbaj o czystość wirnika.
- Dokręcić wszystkie nakrętki i śruby.
- Upewnić się, że obudowy nie są popękane.
- Upewnić się, że worek odkurzacza nie jest uszkodzony oraz że zamek błyskawiczny działa. W razie potrzeby wymienić worek.

Przegląd cotygodniowy

- Sprawdzić stan rozrusznika, linki rozrusznika i sprężyny napinającej. Wymienić wszystkie uszkodzone części.
- Sprawdzić stan układu wlotowego powietrza przy rozruszniku. Usunąć zanieczyszczenia, jeśli wlot powietrza jest zatkany.

- Oczyszczyć świecę zapłonową z zewnątrz. Wykręcić ją i sprawdzić odstęp między elektrodami. Ustawić odległość tak, aby wynosiła 6 mm (0,024 cala), lub wymienić świecę zapłonową na nową.
- Oczyszczyć łopatki wirnika.
- Oczyszczyć osłonę iskrochronu i wymienić go, jeśli to konieczne (nie dotyczy tłumików z katalizatorem).
- Wyczyścić okolice gaźnika.
- Czyszczenie filtra powietrza.

Przegląd miesięczny

- Sprawdzić łąkę linka rozrusznika oraz linkę rozrusznika.
- Oczyszczyć zbiornik paliwa.
- Oczyszczyć gaźnik i obszar wokół niego.
- Oczyszczyć łopatki wirnika.
- Sprawdzić, czy przewody paliwowe nie są pęknięte ani w inny sposób uszkodzone. Jeśli jest zanieczyszczony - wymienić
- Wymienić filtr paliwa w zbiorniku paliwa.
- Sprawdzić stan wszystkich przewodów i połączeń.
- Wymiana świecy zapłonowej.
- Wymienić filtr powietrza.

Konserwacja coroczna

- Sprawdzić świecę zapłonową.
- Oczyszczyć zewnętrzne powierzchnie gaźnika i przylegających obszarów.
- Oczyszczyć system chłodzący.
- Sprawdzić siatkę iskrochronu.
- Sprawdzić filtr paliwa.
- Sprawdzić przewód paliwowy pod kątem uszkodzeń.
- Sprawdzić stan wszystkich przewodów i połączeń.

Konserwacja po 50 godzinach pracy

- Naprawić lub wymienić tłumik w autoryzowanym centrum serwisowym.

Regulacja obrotów biegu jałowego

Przed regulacją obrotów biegu jałowego sprawdzić, czy filtr powietrza jest czysty i przymocować pokrywę filtra powietrza.

Ustawić obroty biegu jałowego dyszą regulacyjną obrotów biegu jałowego.

(Rys. 44)

Obroty jałowe ustawione są prawidłowo, jeżeli silnik pracuje płynnie w każdym położeniu.

1. Aby zwiększyć obroty, obrócić śrubę regulacji w prawo.

2. Aby zmniejszyć obroty, obrócić śrubę regulacji w lewo.

Konserwacja chwytacza iskier

Użyć szczotki drucianej do czyszczenia chwytacza iskier.

Czyszczenie układu chłodzenia

Czyścić części układu chłodzenia szczotką.

Sprawdzanie świecy zapłonowej



UWAGA: Stosuj wyłącznie świece zapłonowe zalecane przez producenta. Niewłaściwy typ świecy zapłonowej może spowodować uszkodzenie produktu.

- Sprawdzić świecę zapłonową, jeśli silnik ma za małą moc, trudno go uruchomić lub nie działa prawidłowo na biegu jałowym.
- Aby zmniejszyć ryzyko przedostawania się niepożądanych materiałów na elektrody świecy zapłonowej, należy przestrzegać poniższych instrukcji:
 - a) Dopilnować, by obroty biegu jałowego zostały prawidłowo wyregulowane.
 - b) Dopilnować, aby używana była odpowiednia mieszanka paliwowa.
 - c) Zadbaj o czystość filtra powietrza.
- Jeśli świeca zapłonowa jest zabrudzona, należy ją wyczyścić i upewnić się, że odstęp między elektrodami jest prawidłowy. Patrz *DANE TECHNICZNE* na stronie 209. (Rys. 45)
- Jeśli to konieczne, wymienić świecę zapłonową.

Konserwacja filtra powietrza

Czyszczenie filtra powietrza

1. Zdjąć pokrywę filtra powietrza i wyjąć filtr powietrza.
2. Oczyszczyć filtr powietrza ciepłą wodą z mydłem. Przed zamontowaniem filtra poczekać na jego wyschnięcie.
3. Wymienić filtr powietrza, jeśli jest zbyt brudny, aby całkowicie go wyczyścić. Zawsze wymieniać uszkodzony filtr powietrza.
4. Jeśli maszyna jest wyposażona w piankowy filtr powietrza, stosować olej do filtrów powietrza. Oleju do filtrów powietrza należy używać wyłącznie do filtrów piankowych. Nie stosować oleju do filtrów filcowych.

DANE TECHNICZNE

	Jed- nostka	GBV 322 (GHB28VPR)	GBV 322VX (GHB28VPR)
Specyfikacje silnika			
Pojemność skokowa cylindra	cm ³	26	26
Odstęp między elektrodami	mm	0,6	0,6
Pojemność zbiornika paliwa	cm ³	500	500
Jałowe obroty	min ⁻¹	2800–3200	2800–3200
Maksymalna prędkość wyjściowa	min ⁻¹	8000	8000
Moc wyjściowa	kW	0,8	0,8
Świeca zapłonowa		Champion RCJ-6Y	Champion RCJ-6Y
Tryb maksymalnej prędkości nadmuchu	min ⁻¹	8600	8600
Tryb maksymalnej prędkości odkurzacza	min ⁻¹	—	7500
Okres trwałości emisji	godz.	50	50
Dane dotyczące hałasu i drgań			
Równoważny poziom drgań na uchwytych przy założonych rurach i dyszach dmuchawy (oryginalne) — patrz uwaga 1	m/s ²	7,5	7,5
Równoważny poziom drgań na uchwytych przy założonych rurach odkurzacza (oryginalne), lewa/prawa — patrz uwaga 1	m/s ²	7,4	7,4
Równoważny poziom ciśnienia akustycznego przy uchu operatora mierzony zgodnie z normą ISO 22868 przy założonych rurach i dyszach dmuchawy (oryginalne) — patrz uwaga 3	dB (A)	95,6	95,6
Moc akustyczna, gwarantowana (L _{WA}) — patrz Uwaga 2	dB (A)	112	112
Moc akustyczna, zmierzona — patrz Uwaga 2	dB (A)	109	109
Wymiary produktu			
Masa	kg	4,4	4,5
<p>Ad. 1: Odnotowane dane dotyczące równoważnego poziomu vibracji wykazują typowe rozproszenie statystyczne (odchylenie standardowe) w wysokości 1,5 m/s².</p> <p>Uwaga 2: Emisję hałasu do otoczenia zmierzono jako moc akustyczną (L_{WA}) zgodnie z dyrektywą WE 2000/14/WE. Odnotowany poziom ciśnienia akustycznego dla maszyny został zmierzony z oryginalnym osprzętem, takim który daje najwyższy poziom hałasu. Różnica pomiędzy gwarantowanym a zmierzonym poziomem ciśnienia akustycznego wynika z tego, że poziom gwarantowany uwzględnia także rozproszenie w wynikach pomiaru oraz różnice pomiędzy różnymi urządzeniami o takim samym oznaczeniu modelowym zgodnie z dyrektywą 2000/14/WE.</p> <p>Ad. 3: Odnotowane dane dotyczące równoważnego ciśnienia akustycznego urządzenia wykazują typowe rozproszenie statystyczne (odchylenie standardowe) w wysokości 3 dB(A).</p>			

Wentylator	Jednostka	GBV 322	GBV 322VX
Typ		Wentylator promieniowy	Wentylator promieniowy
Maks. prędkość powietrza, dysza standardowa	km/h	322	-
Maks. prędkość powietrza, VX™ rura dmuchawy*	km/h	-	370
Objętość powietrza w trybie dmuchawy	cfm	370	450
Objętość powietrza w trybie odkurzacza	cfm	490	490
Stopień rozdrabniania		10:1	16:1
*akcesoria opcjonalne			

TREŚĆ DEKLARACJI ZGODNOŚCI Z NORMAMI WE

Firma Husqvarna AB, SE 561 82 Husqvarna, SZWECJA, deklaruje z pełną odpowiedzialnością, że przedstawiony produkt:

Opis	Spalinowa dmuchawa/ odkurzacz
Marka	McCulloch
Platforma/typ/model	Platforma GHB28VPR reprezentująca model GBV 322, GBV 322VX
Partia produkcyjna	Począwszy od numerów seryjnych z roku 2018

Ten certyfikat, załączony na podpisanej Deklaracji zgodności WE, dotyczy wszystkich miejsc produkcji oraz krajów pochodzenia, informacje o których umieszczono na produktach.

Dostarczona spalinowa dmuchawa/odkurzacz jest zgodna ze specyfikacją prototypu poddanego kontroli.

spełnia wszystkie wymogi określone w odpowiednich dyrektywach i przepisach UE:

Dyrektywa/przepis	Opis
2006/42/WE	„maszynowa”
2014/30/UE	„dotycząca zgodności elektromagnetycznej”
2000/14/WE	„dotycząca emisji hałasu”

Odpowiednie zharmonizowane normy oraz parametry techniczne: EN ISO 12100, EN 15503, CISPR 12, ISO 14982

Zgodnie z dyrektywą 2000/14/WE, Aneks V, deklarowane wartości dźwięku są podane w rozdziale „Dane techniczne” niniejszej instrukcji i w podpisanej deklaracji zgodności WE.

Jednostka certyfikująca TÜV Rheinland N.A. przeprowadziła dobrowolną kontrolę w imieniu firmy Husqvarna AB oraz wydała Certyfikat zgodności poświadczający zgodność z Dyrektywą Rady Europejskiej 2006/42/WE.

ÍNDICE

INTRODUÇÃO.....	211	MANUTENÇÃO.....	218
SEGURANÇA.....	212	ESPECIFICAÇÕES TÉCNICAS.....	219
MONTAGEM.....	215	CONTEÚDO DA DECLARAÇÃO DE	
UTILIZAÇÃO.....	216	CONFORMIDADE DA UE.....	221

INTRODUÇÃO

Manual do utilizador

O idioma inicial deste manual do utilizador é o Inglês.
Os manuais do utilizador em outros idiomas são traduções do Inglês.

Revisão geral

(Fig. 1)

1. Correia de ombro
2. Acelerador
3. Interruptor de paragem
4. Controlo de cruzeiro
5. Alojamento da ventoinha
6. Tapa do depósito de combustível
7. Filtro de ar
8. Controlo do estrangulador
9. Bomba de combustível
10. Tapa de entrada
11. Pega do aspirador
12. Lâmina de trituração (GBV 322VX)
13. Propulsor da ventoinha
14. Tubo inferior do soprador (GBV 322)
15. tubo do soprador™ VX (GBV 322VX)
16. Tubo superior do soprador
17. Parafuso
18. Silenciador
19. Fio terra
20. Punho do cabo de arranque
21. Dispositivo de arranque
22. Punho
23. Ferramenta múltipla
24. Tubo do saco de recolha
25. Saco de recolha
26. Tubo de aspiração em duas secções
27. Parafuso
28. Manual do utilizador

Símbolos no produto

- (Fig. 2) Aviso
- (Fig. 3) Leia este manual
- (Fig. 4) Utilize proteção para a cabeça aprovada

- (Fig. 5) Utilize protetores acústicos aprovados
- Utilize proteção ocular aprovada (em conformidade com a norma ANSI Z87.1 ou equivalente)
- (Fig. 6)
- (Fig. 7) Utilize botas e luvas de proteção aprovadas
- (Fig. 8) Utilize mangas compridas e calças
- (Fig. 9) Não use joias quando utilizar o produto.
- Utilize a ponta da chave de parafusos para soltar o trinco.
- (Fig. 10)
- Não aspire pedras, cascalho, metal, vidro partido, borracha triturada ou outros materiais que possam danificar o propulsor.
- (Fig. 11)
- O produto pode causar a projeção de objetos, podendo resultar em lesões oculares
- (Fig. 12)
- Não se aproxime do propulsor quando este se encontrar em rotação
- (Fig. 13)
- (Fig. 14) Estrangulação total
- (Fig. 15) Estrangulação parcial
- (Fig. 16) Sem estrangulação
- Certifique-se de que o cabelo comprido é preso acima de seus ombros.
- (Fig. 17)
- (Fig. 18) Distância de segurança
- (Fig. 19) Nível de potência acústica garantido
- Este produto está em conformidade com as diretivas CE aplicáveis.
- (Fig. 20)
- O produto está em conformidade com as diretivas EAC aplicáveis.
- (Fig. 21)

O produto está em conformidade com as
(Fig. 22) diretivas aplicáveis da Ucrânia.

Nota: Os restantes símbolos/autocolantes existentes no produto dizem respeito a exigências para homologação em outras áreas comerciais.

UE V



ATENÇÃO: A adulteração do motor anula a aprovação deste produto pela UE.

Responsabilidade pelo produto

Como referido nas leis de responsabilidade pelo produto, não somos responsáveis por danos causados pelo nosso produto se:

- o produto tiver sido incorretamente reparado.
- o produto tiver sido reparado com peças que não sejam do fabricante ou que não sejam aprovadas pelo fabricante.
- o produto tiver um acessório que não seja do fabricante ou que não seja aprovado pelo fabricante.
- o produto não tiver sido reparado por um centro de assistência autorizado ou por uma autoridade aprovada.

SEGURANÇA

Definições de segurança

As definições abaixo indicam o nível de gravidade para cada palavra do sinal.



ATENÇÃO: Ferimentos pessoais.



CUIDADO: Danos no produto.

Nota: Esta informação facilita a utilização do produto.

Instruções de segurança gerais

- Utilize o produto corretamente. Ferimentos ou morte são resultados possíveis de utilização incorreta. Utilize apenas o produto para as tarefas descritas neste manual. Não utilize o produto para outras tarefas.
- Siga as instruções neste manual. Respeite as instruções e os símbolos de segurança. Ferimentos, danos ou morte são um resultado possível se o operador não respeitar as instruções e os símbolos.
- Não elimine este manual. Utilize as instruções para montar, para operar e para manter o seu produto em bom estado. Utilize as instruções para a instalação correta de acessórios. Utilize apenas acessórios aprovados.
- Não utilize um produto danificado. Respeite o esquema de manutenção. Realize apenas tarefas de manutenção descritas neste manual. Todas as outras tarefas de manutenção têm de ser realizadas por um centro de assistência autorizado.

- Este manual não pode incluir todas as situações que podem ocorrer quando utiliza o produto. Seja cuidadoso e use o seu senso comum. Não utilize o produto nem realize tarefas de manutenção no mesmo se não tiver a certeza acerca da situação. Fale com um especialista do produto, o seu concessionário, oficina autorizada ou centro de assistência autorizado para obter informações.
- Desligue o cabo da vela de ignição antes de montar o produto, de o armazenar ou de realizar tarefas de manutenção.
- Não utilize o produto se este for alterado da sua especificação inicial. Não altere uma parte do produto sem a aprovação do fabricante. Utilize apenas peças aprovadas pelo fabricante. Ferimentos ou morte são resultados possíveis de manutenção incorreta.
- Não respire os gases do motor. A inalação prolongada dos gases de escape do motor constitui um risco para a saúde.
- Não arranque o produto em locais fechados ou nas proximidades de material inflamável. Os gases de escape são quentes e podem conter faíscas que podem causar incêndios. O fluxo de ar insuficiente pode causar ferimentos ou morte devido a asfixia ou monóxido de carbono.
- Quando utilizar esse produto, o motor produz um campo eletromagnético. O campo eletromagnético pode causar danos a implantes médicos. Consulte o seu médico e o fabricante do implante antes de utilizar este produto.
- Não deixe uma criança utilizar o produto. Não permita que o produto seja operado por uma pessoa que não conheça as instruções.
- Certifique-se de que monitoriza sempre a utilização do produto por pessoas com diminuição da capacidade física ou mental. Tem de estar sempre presente um adulto responsável.

- Bloqueie o produto numa área à qual crianças e pessoas sem autorização não tenham acesso.
- O produto pode projetar objetos e causar ferimentos. Respeite as instruções de segurança para diminuir o risco de ferimentos ou morte.
- Não se afaste do produto quando o motor estiver ligado.
- O operador do produto é responsável caso ocorra um acidente.
- Certifique-se de que as peças não estão danificadas antes de utilizar o produto.
- Antes de utilizar o produto, certifique-se de que está, no mínimo, a 15 m (50 pés) de distância de outras pessoas ou de animais. Certifique-se de que as pessoas na área adjacente sabem que irá utilizar o produto.
- Consulte as leis nacionais ou locais. Podem impedir ou diminuir o funcionamento do produto em algumas condições.
- Não utilize o produto se estiver cansado ou sob a influência de álcool, drogas ou medicamentos. Estes podem ter efeitos na sua visão, atenção, capacidade de discernimento ou controlo físico.
- Não opere o produto num espaço com um fluxo de ar insatisfatório. Um fluxo de ar insuficiente pode causar ferimentos ou morte devido a asfíxia ou monóxido de carbono.
- O silenciador está muito quente enquanto o produto está ligado, depois de este parar e quando funciona ao ralenti. Tenha cuidado nas proximidades de materiais e gases inflamáveis.
- Não toque na área da cobertura da entrada. Mantenha joias e roupas folgadas afastadas da área de entrada.
- Mantenha sempre um apoio correto e opere o produto apenas sobre superfícies seguras e planas. Superfícies escorregadias ou não estáveis, como escadas, podem causar uma perda de equilíbrio ou controlo.
- Não opere o produto numa área elevada, como um telhado.
- Trave o produto durante o transporte.
- Opere o produto apenas à hora recomendada. Respeite os regulamentos locais. O horário normalmente recomendado é das 9h às 17h, de segunda-feira a sábado.
- Opere o produto à velocidade mais baixa possível para realizar o trabalho.
- Certifique-se de que não pode cair quando utilizar o produto. Não se incline quando operar o produto.
- Certifique-se de que o produto se encontra em boas condições antes de o operar, especialmente o silenciador, a admissão de ar e o filtro de ar.
- Utilize um ancinho ou uma vassoura para separar os detritos do chão antes de operar o produto.
- Se a área de trabalho estiver suja, regue-a com uma mangueira.
- Utilize o produto como uma alternativa a uma mangueira para poupar água.
- Sobre os detritos com segurança. Tenha cuidado com crianças, animais, janelas abertas ou veículos.
- Não aponte o produto para plantas facilmente danificadas.
- Não sopre ar na direção de objetos, como paredes, pedras grandes, veículos e vedações.
- Se trabalhar em cantos interiores, sobre a partir do canto e para o centro da área de trabalho. Caso contrário, os detritos podem atingir o seu rosto e causar lesões oculares.
- Utilize a extensão completa do bocal, de modo a manter o fluxo de ar próximo do chão.
- É necessário que terceiros usem proteção ocular.
- Elimine os detritos nos recipientes de lixo após a utilização do produto.

Segurança da vibração

Este produto foi concebido apenas para funcionamento ocasional. O funcionamento contínuo ou regular do produto pode causar "síndrome dos dedos brancos" ou problemas médicos equivalentes causados pelas vibrações. Examine o estado das suas mãos e dedos se utilizar o produto de forma contínua ou regular. Se as suas mãos ou dedos apresentarem descoloração, se tiver dor ou uma sensação de zumbido ou dormência, pare de trabalhar e consulte imediatamente um médico.

Instruções de segurança para o funcionamento do soprador

- Utilize o produto apenas para soprar ou remover folhas e outros detritos do chão.
- Não opere o produto quando estiver cansado, doente ou tiver consumido álcool, drogas ou medicamentos.
- Não permita que outras pessoas ou animais estejam a menos de 15 m (50 pés) do operador.
- O produto pode ejetar objetos a alta velocidade que, por sua vez, podem fazer ricochete e atingir operador. Isto pode provocar lesões oculares.
- Não aponte o bocal do soprador na direção de pessoas ou animais.
- Certifique-se de que o cabelo comprido está preso acima dos seus ombros.
- Pare o motor antes de montar ou desmontar os acessórios ou outros componentes.
- Não opere o produto sem a proteção.
- Não opere o produto se houver pessoas na área de trabalho. Pare o produto se uma pessoa for para a área de trabalho.

Instruções de segurança para a operação do aspirador

- Evitar danos na ventoinha. Não aspire objetos grandes e sólidos, como madeira, latas, borracha triturada ou pedaços grandes de corda.

- Não permita que o tubo de aspiração entre em contacto com o chão.
- Pare o motor e solte a cobertura da vela de ignição antes de remover um bloqueio ou material obstruído.

Equipamento de proteção pessoal

- Utilize sempre equipamento de proteção pessoal adequado quando operar o produto. O equipamento de proteção pessoal não elimina o risco de ferimentos. O equipamento de proteção pessoal diminui a gravidade dos ferimentos em caso de acidente.
- Utilize sempre uma proteção ocular aprovada enquanto opera o produto.
- Não opere o produto com os pés descalços ou com calçado aberto. Use sempre botas antiderrapantes resistentes.
- Use calças compridas e resistentes.
- Se for necessário, use luvas de proteção aprovadas.
- Use um capacete caso haja possibilidade de objetos caírem na sua cabeça.
- Utilize sempre proteção auditiva aprovada enquanto opera o produto. A exposição prolongada a ruído pode causar perda da capacidade auditiva.
- Use sempre uma máscara antipoeira aprovada enquanto operar o produto em ambientes poeirentos.
- Certifique-se de que tem um kit de primeiros socorros por perto.

Dispositivos de proteção no produto

- Certifique-se de que realiza regularmente tarefas de manutenção do produto.
 - A vida útil do produto é aumentada.
 - O risco de acidentes é reduzido.

Leve regularmente o produto a um concessionário autorizado ou a um centro de assistência autorizado para que o examinem e realizem ajustes ou reparações.

- Não utilize o produto com equipamento de proteção danificado. Se o produto estiver danificado, fale com um centro de assistência autorizado.

Interruptor de paragem

Ligue o motor. Certifique-se de que o motor para quando move o interruptor de paragem para a posição de paragem.

Silenciador



ATENÇÃO: Não toque no silenciador se este estiver quente. O silenciador está muito quente enquanto o motor está em funcionamento e depois de este parar. Se tocar no silenciador, este pode causar queimaduras.

- Não utilize um motor com um silenciador danificado. Um silenciador danificado aumenta o nível de ruído e o risco de incêndio. Mantenha um extintor de incêndios por perto.
- Examine regularmente se o silenciador está fixo ao produto.
- Não toque no motor ou no silenciador quando o motor está ligado. Não toque no motor ou no silenciador durante algum tempo após a paragem do motor. As superfícies quentes podem causar ferimentos.
- Um silenciador quente pode provocar um incêndio. Tenha cuidado se utilizar o produto nas proximidades de líquidos inflamáveis ou gases.
- Não toque nas peças do silenciador, caso este esteja danificado. As peças podem conter alguns produtos químicos cancerígenos.
- Alguns modelos de soprador têm uma rede retentora de faíscas. Limpe e substitua a rede nos intervalos especificados. Consulte a secção de Manutenção (*MANUTENÇÃO na página 218*).

Segurança no manuseamento do combustível

- Não ligue o produto se houver combustível ou óleo do motor sobre o produto. Remova o combustível/ óleo indesejado e deixe o produto secar. Remova o combustível indesejado do produto.
- Se derramar combustível na sua roupa, troque de roupa imediatamente.
- Não deixe que o combustível entre em contacto com o seu corpo, pois pode causar ferimentos. Se o combustível entrar em contacto com o seu corpo, use sabão e água para o remover.
- Não ligue o motor se derramar óleo ou combustível no produto ou no seu corpo.
- Não ligue o produto se o motor tiver uma fuga. Examine regularmente o motor quanto a fugas.
- Tenha cuidado com o combustível. O combustível é inflamável e os gases são explosivos e podem causar ferimentos ou morte.
- Não respire os gases do combustível, podem causar ferimentos. Certifique-se de que existe um fluxo de ar suficiente.
- Não fume perto de combustível ou do motor.
- Não coloque objetos quentes perto do combustível ou do motor.
- Não acrescente combustível com o motor em funcionamento.
- Certifique-se de que o motor está frio antes de reabastecer.
- Antes de reabastecer, abra lentamente a tampa do depósito de combustível e liberte a pressão com cuidado.
- Não adicione combustível ao motor numa área interior. O fluxo de ar insuficiente pode causar ferimentos ou morte devido a asfíxia ou monóxido de carbono.

- Aperte a tampa do depósito de combustível com cuidado ou pode ocorrer um incêndio.
- Desloque o produto a uma distância mínima de 3 m (10 pés) da posição onde abasteceu o depósito antes de começar.
- Não encha demasiado o depósito de combustível.
- Certifique-se de que não ocorrem fugas quando desloca o produto ou o recipiente de combustível.
- Não coloque o produto ou um recipiente de combustível onde houver uma chama aberta, fâisca ou luz piloto. Certifique-se de que a área de armazenamento não contém uma chama aberta.
- Utilize apenas recipientes aprovados quando deslocar ou armazenar o combustível.
- Esvazie o depósito de combustível antes do armazenamento a longo prazo. Respeite a legislação local sobre a eliminação de combustível.
- Limpe o produto antes do armazenamento a longo prazo.

- Remova o cabo de vela de ignição antes de armazenar o produto, para se certificar de que o motor não arranca acidentalmente.

Instruções de segurança para manutenção



ATENÇÃO: Uma manutenção incorreta pode resultar em danos sérios no motor ou ferimentos graves.

O proprietário é responsável pela execução de toda a manutenção necessária, conforme especificado no manual do operador. Desligue a vela de ignição antes da tarefa de manutenção. Não desligue a vela de ignição antes de efetuar ajustes no carburador.

MONTAGEM



ATENÇÃO: Leia o capítulo sobre segurança antes de montar o produto.

Instalar o tubo superior do soprador

1. Alinhe a ranhura do tubo superior do soprador (A) com a lingueta na saída do soprador (B). (Fig. 23)
2. Pressione totalmente o tubo superior do soprador para dentro da saída do soprador.
3. Rode o tubo superior do soprador até que o orifício do tubo esteja alinhado com as roscas na porca na saída do soprador. (Fig. 24)
4. Instale o parafuso (C). (Fig. 25)
5. Rode o parafuso para a direita com uma chave de parafusos para fixar o tubo.

Instalar o tubo inferior do soprador

1. Alinhe as ranhuras do tubo inferior do soprador (A) com as linguetas no tubo superior do soprador (B). (Fig. 26)
2. Pressione totalmente o tubo inferior do soprador para dentro do tubo superior do soprador.
3. Rode o tubo inferior do soprador totalmente até que a lingueta esteja engatada na extremidade da ranhura. (Fig. 27)

Instalar o VX™ tubo do soprador

1. Alinhe as ranhuras no tubo do soprador VX™ (A) com as linguetas do tubo superior do soprador (B). (Fig. 28)
2. Pressione o tubo do soprador VX™ totalmente para dentro do tubo superior do soprador.

3. Rode o tubo do soprador VX™ totalmente até que a lingueta esteja engatada na extremidade da ranhura. (Fig. 29)

Instalar o tubo de aspiração superior

1. Introduza a ponta de uma chave de fendas na área do trinco da entrada de aspiração. (Fig. 30)
2. Incline cuidadosamente o cabo da chave de parafusos para a frente do produto para soltar o trinco.
3. Mantenha a tampa da entrada de aspiração aberta até que o tubo de aspiração superior esteja na devida posição. (Fig. 31)
4. Alinhe a extremidade situada no interior da entrada de aspiração com as ranhuras do tubo de aspiração superior.

Nota: Alinhe os indicadores na abertura de entrada de aspiração e no tubo de aspiração superior.

5. Pressione totalmente o tubo de aspiração superior para dentro da entrada de aspiração.
6. Rode totalmente o tubo de aspiração superior para a direita até sentir um clique. (Fig. 32)

Instalar o tubo de aspiração inferior

1. Alinhe a ranhura do tubo de aspiração inferior com a lingueta no tubo de aspiração superior.
2. Pressione totalmente o tubo de aspiração inferior para dentro do tubo de aspiração superior até que a lingueta esteja engatada na extremidade da ranhura. (Fig. 33)
3. Instale o parafuso.
4. Rode o parafuso para a direita com uma chave de parafusos para fixar o tubo. (Fig. 34)

Instalar o tubo do saco de recolha

1. Alinhe a ranhura do tubo do saco de recolha (A) com a lingueta na saída do soprador (B). (Fig. 35)
2. Pressione totalmente o tubo do saco de recolha para dentro da saída do soprador.

3. Rode o tubo do saco de recolha até que o orifício do tubo esteja alinhado com as roscas na porca na saída do soprador. (Fig. 36)
4. Instale o parafuso (C).
5. Rode o parafuso para a direita com uma chave de parafusos para fixar o tubo. (Fig. 37)

UTILIZAÇÃO



ATENÇÃO: Certifique-se de que lê e compreende o capítulo sobre segurança antes de operar o produto.

Preparar a mistura de combustível

Nota: Utilize sempre um recipiente de combustível limpo quando misturar o combustível.

Nota: Não prepare uma quantidade de mistura de combustível para mais de 30 dias.

Combustível

Utilizar combustível



CUIDADO: Este produto tem um motor de dois tempos. Utilize uma mistura de gasolina e óleo de motor de dois tempos. Certifique-se de utiliza a quantidade correta de óleo na mistura. A relação incorreta de gasolina e óleo pode causar danos ao motor.

1. Adicione metade da quantidade de gasolina.
2. Adicione a quantidade total de óleo.
3. Agite a mistura de combustível para misturar o conteúdo.
4. Adicione a restante quantidade de gasolina.
5. Agite a mistura de combustível para misturar o conteúdo.
6. Encha o depósito de combustível.

Gasolina



CUIDADO: Não utilize gasolina com um índice de octanas inferior a 90 RON (87 AKI). Caso contrário, pode causar danos no produto.

Adicionar combustível

- Utilize sempre um recipiente de combustível com uma proteção contra enchimento excessivo.
- Se houver algum combustível no recipiente, retire o combustível indesejado e deixe o recipiente secar.
- Certifique-se de que a área perto da tampa do depósito de combustível está limpa.
- Agite o recipiente de combustível antes de adicionar a mistura de combustível ao depósito de combustível.



CUIDADO: Não utilize gasolina com mais de 10% de concentração de etanol (E10). Caso contrário, pode causar danos no produto.

- Utilize sempre gasolina sem chumbo nova com um índice de octanas mínimo de 90 RON (87 AKI) e com menos de 10% de concentração de etanol (E10).
- Utilize gasolina com um índice de octanas superior se costumar utilizar o produto a uma velocidade do motor continuamente elevada.

Ligar e desligar

Antes de ligar o motor

- Examine o produto quanto a peças em falta, danificadas, soltas ou desgastadas.
- Examine o saco de recolha. Certifique-se de que o saco de recolha não está danificado e de que o fecho de correr está fechado.
- Examine as porcas e os parafusos.
- Examine o filtro de ar.
- Verifique se o acelerador funciona corretamente.
- Examine se o interruptor de paragem está a funcionar corretamente.
- Examine o produto quanto a fugas de combustível.

Óleo de motor de dois tempos

- Utilize apenas óleo de motor de dois tempos de alta qualidade. Utilize apenas óleo de motor refrigerado a ar.
- Não utilize outros tipos de óleo.
- Relação de mistura 50:1 (2%)

Gasolina	Óleo
1 gal (EUA)	77 ml (2,6 oz)
1 gal (Reino Unido)	95 ml (3,2 oz)
5 l	100 ml (3,4 oz)

Arrancar com o motor frio



ATENÇÃO: Não enrole o cabo de arranque à volta do seu braço.



CUIDADO: Não segure o produto com o seu pé.



CUIDADO: Não puxe o cabo de arranque até à posição final. Não solte o punho do cabo de arranque quando o cabo de arranque estiver estendido. Caso contrário, pode causar danos no produto.

Nota: Se o motor parar, desloque o controlo do estrangulador para a posição fechada e repita os passos de arranque.

1. Encha o depósito de combustível com uma mistura de combustível limpa.
2. Com a sua mão esquerda, seguro o corpo da máquina no chão. Certifique-se de que a extremidade do soprador não está a apontar para pessoas, animais, vidros e objetos sólidos.
3. Pressione lentamente a ampola da purga de ar 10 vezes.
4. Desloque a alavanca do estrangulador para a posição FULL CHOKE (estrangulação total).
5. Prima e mantenha premido o gatilho do acelerador
6. Puxe rapidamente o punho do cabo de arranque até o motor tentar começar a trabalhar, mas não puxe mais de 3 vezes.

Nota: Se a temperatura for inferior a 4 °C (40 °F), continue a puxar o punho do cabo de arranque até o motor tentar arrancar.

7. Desloque a alavanca do estrangulador para a posição HALF CHOKE (estrangulação parcial).
8. Puxe o punho do cabo de arranque rapidamente até o motor começar a trabalhar.
9. Deixe o motor a trabalhar durante 10 segundos.
10. Desloque a alavanca do estrangulador para a posição NO CHOKE (sem estrangulação).

Arranque com o motor quente

1. Pressione lentamente a ampola da purga de ar 10 vezes.
2. Desloque a alavanca do estrangulador para a posição HALF CHOKE (estrangulação parcial).
3. Puxe o punho do cabo de arranque rapidamente até o motor começar a trabalhar.
4. Desloque a alavanca do estrangulador para a posição NO CHOKE (sem estrangulação).

Ligar um motor com obstrução por vapor

A obstrução por vapor ocorre quando o combustível no tubo de combustível ou no carburador vaporiza devido ao aumento de calor.

O produto pode ter obstrução por vapor caso não reinicie a uma temperatura ambiente superior a 35 °C (95 °F) e tenha sido desligado durante 15-45 minutos.

1. Prima novamente a ampola da purga de ar durante 10-15 segundos.
2. Desloque a alavanca do estrangulador para a posição HALF CHOKE (estrangulação parcial).
3. Puxe o punho do cabo de arranque rapidamente até o motor começar a trabalhar.
4. Deixe o motor aquecer durante 3 minutos ao ralenti.
5. Desloque a alavanca do estrangulador para a posição NO CHOKE (sem estrangulação).

Para parar o motor

- Pressione e solte o interruptor de PARAGEM do motor. O interruptor volta automaticamente para a posição de LIGADO. Aguarde 7 segundos antes de tentar reiniciar o produto, de modo a garantir que o interruptor reinicia.

Ajustar o tubo™ do soprador VX

1. Alinhe a ranhura correta (A ou B) no tubo exterior do soprador VX™ com a lingueta (C) no tubo interior. (Fig. 38)

Nota: Não é possível ver a lingueta quando os tubos estão montados. É necessário sentir a posição da lingueta à medida que se desloca o tubo externo.

Nota: Engate a lingueta na posição "A" para uma grande abertura do soprador. Uma grande abertura do soprador desloca grandes áreas de folhas secas e outros materiais indesejados. Engate a lingueta na posição "B" para uma pequena abertura do soprador. Uma pequena abertura do soprador acelera o fluxo de ar para limpar fendas e cantos e para deslocar material pesado como folhas molhadas.

2. Rode o tubo exterior conforme indicado para desengatar a lingueta da ranhura. (Fig. 39)
3. Desloque o tubo exterior ao longo do tubo interior para mudar a posição. (Fig. 40)
4. Rode o tubo exterior conforme indicado até que a lingueta esteja totalmente engatada na extremidade da localização da ranhura correta. (Fig. 41)

Posição de funcionamento

- Soprador (Fig. 42)
- Aspirador (Fig. 43)

Aspirar

Antes de aspirar, coloque o equipamento de segurança necessário.



ATENÇÃO: Antes da utilização, certifique-se de que o saco de recolha não está danificado e de que o fecho de correr está fechado. Não utilize um saco que esteja danificado. Isto previne ferimentos causados por detritos projetados. A operação com a mão esquerda aumenta o risco. Não permita que o seu corpo entre em contacto com a área da saída de escape.



ATENÇÃO: Não ligue o soprador se a cobertura da entrada estiver aberta ou danificada (exceto se o tubo de aspiração estiver instalado).

- Durante o funcionamento do soprador, o saco de recolha tem de ser segurado pela correia de ombro. A correia deve ser usada na parte superior do ombro.

- Ligue o soprador. Respeite as instruções na secção de arranque e paragem *Ligar e desligar na página 216*. Leia as instruções de segurança *SEGURANÇA na página 212*.

Esvaziar o saco de recolha



ATENÇÃO: Examine sempre o saco de recolha. Antes da utilização, certifique-se de que este não está danificado e de que o fecho de correr está fechado. Não utilize um saco danificado. Existe um risco de ferimentos devido a detritos projetados. Tenha cuidado se operar o produto com a mão esquerda. Não toque na área da saída de escape.

1. Pare o produto.
2. Abra o fecho de correr na parte lateral.
3. Esvazie o saco de recolha.
4. Feche o fecho.

MANUTENÇÃO



ATENÇÃO: Certifique-se de que leu e compreendeu o capítulo sobre segurança antes de limpar, reparar ou realizar tarefas de manutenção no produto.

Esquema de manutenção

Certifique-se de que respeita o esquema de manutenção. Os intervalos são calculados a partir da utilização diária do produto. Os intervalos são diferentes se não utilizar o produto diariamente. Realize apenas tarefas de manutenção descritas neste manual. Fale com um centro de assistência autorizado sobre outras tarefas de manutenção não descritas neste manual.

Manutenção diária

- Limpe as superfícies externas.
- Verifique o funcionamento do controlador de rotação e do acelerador. Substitua as peças danificadas.
- Examine o interruptor de paragem. Se for necessário, substitua-o.
- Examine o ralenti.
- Limpe o filtro de ar. Se for necessário, substitua-o.
- Certifique-se de que a cobertura da entrada pode ser bloqueada na posição fechada. Certifique-se de que o propulsor está limpo.
- Aperte todas as porcas e todos os parafusos.
- Certifique-se de que as caixas não apresentam fissuras.
- Certifique-se de que o saco de recolha não está danificado e de que o fecho de correr funciona. Se necessário, substitua o saco.

Manutenção semanal

- Verifique o estado do dispositivo de arranque, do cabo de arranque e da mola de tensão. Substitua todas as peças danificadas.
- Verifique o estado da admissão de ar no dispositivo de arranque. Remova os detritos se a admissão de ar estiver obstruída.
- Limpe o exterior da vela de ignição. Remova-a e verifique a distância entre os elétrodos. Ajuste a distância para 6 mm (0,024 pol.) ou substitua a vela de ignição.
- Limpe as lâminas no propulsor.
- Limpe a rede retentora de faíscas e, se necessário, substitua-a (não em silenciadores com um catalisador).
- Limpe a área do carburador.
- Limpe o filtro de ar.

Manutenção mensal

- Examine o punho do cabo de arranque e o cabo de arranque.
- Limpe o depósito de combustível.
- Limpe o carburador e a área em redor do mesmo.
- Limpe as lâminas no propulsor.
- Verifique se os tubos de combustível apresentam fissuras ou outros danos. Substitua-o, se necessário.
- Substitua o filtro de combustível no depósito de combustível.
- Examine todos os cabos e ligações.
- Substitua a vela de ignição.
- Substitua o filtro de ar.

Manutenção anual

- Examine a vela de ignição.
- Limpe a superfície externa do carburador e as áreas adjacentes.
- Limpe o sistema de arrefecimento.
- Examine a rede retentora de faíscas.
- Examine o filtro de combustível.
- Examine a mangueira de combustível quanto a danos.
- Examine todos os cabos e ligações.

Manutenção das 50 horas

- Leve o silenciador a um centro de assistência autorizado para reparação ou substituição.

Ajustar o ralenti

Certifique-se de que o filtro de ar está limpo e que a cobertura do filtro de ar está montada antes de ajustar a velocidade de ralenti.

Ajuste o ralenti com o parafuso de ajuste do ralenti. (Fig. 44)

O ralenti está correto se o motor funcionar suavemente em todas as posições.

1. Rode o parafuso de ajuste do ralenti para a direita para uma velocidade mais elevada.
2. Rode o parafuso de ajuste do ralenti para a esquerda para uma velocidade inferior.

Realizar tarefas de manutenção na rede retentora de faíscas

Utilize uma escova metálica para limpar a rede retentora de faíscas.

Limpar o sistema de arrefecimento

Limpe as peças do sistema de arrefecimento com uma escova.

Examinar a vela de ignição



CUIDADO: utilize sempre o tipo de vela de ignição recomendado. Um tipo de vela de ignição incorreto pode provocar danos no produto.

- Examine a vela de ignição para verificar se o motor apresenta uma potência reduzida ou dificuldades de arranque, ou se não funciona corretamente ao ralenti.
- Para diminuir o risco de materiais indesejados nos elétrodos da vela de ignição, siga estas instruções:
 - a) Assegure-se de que a rotação em vazio está correctamente regulada.
 - b) Certifique-se de que a mistura de combustível está correta.
 - c) Certifique-se de que o filtro de ar está limpo.
- Se a vela de ignição estiver suja, limpe-a e certifique-se de que a distância entre os elétrodos está correta. Consulte o capítulo *ESPECIFICAÇÕES TÉCNICAS* na página 219. (Fig. 45)
- Se necessário, substitua a vela de ignição.

Realizar tarefas de manutenção do filtro de ar

Para limpar o filtro de ar

1. Retire a cobertura do filtro de ar e o filtro de ar.
2. Limpe o filtro de ar com água quente com sabão. Certifique-se de que o filtro de ar está seco antes de o instalar.
3. Substitua o filtro de ar caso esteja demasiado sujo para o limpar totalmente. Substitua sempre um filtro de ar danificado.
4. Se o seu produto possui um filtro de ar de espuma, aplique óleo do filtro de ar. Aplique apenas óleo do filtro de ar a um filtro de espuma. Não aplique óleo a um filtro de feltro.

ESPECIFICAÇÕES TÉCNICAS

	unidade	GBV 322 (GHB28VPR)	GBV 322VX (GHB28VPR)
Especificações do motor			
Cilindrada	cm ³	26	26

	unidade	GBV 322 (GHB28VPR)	GBV 322VX (GHB28VPR)
Distância entre os eléctrodos	mm	0,6	0,6
Volume do depósito de combustível	cm ³	500	500
Ralenti	mín ⁻¹	2800 - 3200	2800 - 3200
Velocidade da potência máxima	mín ⁻¹	8000	8000
Potência útil	kW	0,8	0,8
Vela de ignição		Champion RCJ-6Y	Champion RCJ-6Y
Rotação máxima no modo de sopra	mín ⁻¹	8600	8600
Velocidade máxima no modo de aspiração	mín ⁻¹	--	7500
Período de durabilidade das emissões	h	50	50
Dados de ruído e vibração			
Nível de vibração equivalente em punhos com tubos do soprador e bocal (original) - consulte a nota 1	m/s ²	7,5	7,5
Nível de vibração equivalente em punhos com tubos de aspiração (original), esquerda/direita - consulte a nota 1	m/s ²	7,4	7,4
Nível de pressão sonora equivalente ao nível do ouvido do operador, medido de acordo com a norma ISO 22868, equipado com tubos do soprador e bocal (original) - consulte a nota 3	dB(A)	95,6	95,6
Nível de potência sonora, garantida (L _{WA}) - ver nota 2	dB(A)	112	112
Nível de potência sonora, medido - ver nota 2	dB(A)	109	109
Dimensões do produto			
Peso	kg	4,4	4,5
<p>Nota 1: os dados comunicados relativamente ao nível de vibração equivalente têm uma dispersão estatística típica (desvio padrão) de 1,5 m/s².</p> <p>Nota 2: Emissões de ruído para as imediações, medidas sob forma de potência sonora (L_{WA}) em conformidade com a diretiva da CE 2000/14/CE. O nível de potência sonora registado para a máquina foi medido com o acessório original que debita o nível mais alto. A diferença entre a potência sonora garantida e medida é que a potência sonora garantida inclui também a dispersão no resultado da medição e as variações entre diferentes máquinas do mesmo modelo, de acordo com a diretiva 2000/14/CE.</p> <p>Nota 3: Os dados registados para o nível de pressão sonora equivalente para a máquina têm uma dispersão estatística típica (desvio padrão) de 3 dB (A).</p>			

Ventoinha	unidade	GBV 322	GBV 322VX
Tipo		Ventoinha radial	Ventoinha radial
Velocidade máx. do ar, bocal padrão	km/h	322	-
Velocidade máxima do ar, TM tubo do soprador VX	km/h	-	370
Volume de ar no modo de sopra	cfm	370	450
Volume de ar no modo de aspiração	cfm	490	490

Ventoinha	unidade	GBV 322	GBV 322VX
Taxa de empalhamento		10:1	16:1
*acessório opcional			

CONTEÚDO DA DECLARAÇÃO DE CONFORMIDADE DA UE

A Husqvarna AB, SE 561 82 Huskvarna, SUÉCIA, declara, sob sua inteira responsabilidade, que o produto representado:

Descrição	Soprador-aspirador/ soprador a gasolina
Marca	McCulloch
Plataforma/Tipo/Modelo	Plataforma GHB28VPR, representando o modelo GBV 322, GBV 322VX
Lote	Número de série referente a 2018 e posteriores

está em plena conformidade com as seguintes diretivas e regulamentos da UE:

Diretiva/Regulamento	Descrição
2006/42/CE	"relativa a máquinas"
2014/30/UE	"relativa à compatibilidade eletromagnética"
2000/14/CE	"relativa ao ruído exterior"

As normas harmonizadas e/ou especificações técnicas aplicadas são as que se seguem: EN ISO 12100, EN 15503, CISPR 12, ISO 14982

Em conformidade com a Diretiva 2000/14/CE, Anexo V, os valores de som declarados são indicados na secção de especificações técnicas deste manual e na Declaração de conformidade da CE assinada.

A TÜV Rheinland N.A. executou um controlo voluntário em nome da Husqvarna AB, de modo a fornecer um Certificado de conformidade com a diretiva 2006/42/CE do Conselho da CE relativa a máquinas.

O certificado, conforme fornecido na Declaração de conformidade da CE assinada, é aplicável a todos os locais de fabrico e países de origem, conforme indicado no produto.

O soprador-aspirador/soprador a gasolina fornecido está em conformidade com o exemplo que foi examinado.

CUPRINS

INTRODUCERE.....	222	ÎNTEȚINEREA.....	229
SIGURANȚĂ.....	223	DATE TEHNICE.....	230
ASAMBLAREA.....	226	CONȚINUTUL DECLARAȚIEI DE	
FUNCȚIONAREA.....	227	CONFORMITATE CE.....	232

INTRODUCERE

Manualul operatorului

Limba originală a acestui manual al operatorului este engleză. Manualele operatorului în alte limbi reprezintă traduceri din limba engleză.

Prezentare generală

(Fig. 1)

1. Curea pentru umăr
2. Pârghie accelerație
3. Buton de OPRIRE
4. Control viteză de deplasare
5. Carcasă ventilator
6. Bușon rezervor de carburant
7. Filtru de aer
8. Acționare șoc
9. Buton de amorsare
10. Capacul orificiului de admisie
11. Mânerul aspiratorului
12. Lamă de mărunțire (GBV 322VX)
13. Rotorul ventilatorului
14. Tub inferior suflantă (GBV 322)
15. Tub VX™ al suflantei (GBV 322VX)
16. Tub superior al suflantei
17. Bolț
18. Amortizor de zgomot
19. Fir de împământare
20. Mâner pentru șnurul de pornire
21. Dispozitiv de pornire
22. Mâner
23. Unealtă combinată
24. Tub pentru sac colector
25. Sac colector
26. Tubul aspiratorului format din două secțiuni
27. Șurub
28. Manualul operatorului

Simbolurile de pe produs

(Fig. 2) Avertisment

(Fig. 3) Citiți acest manual

(Fig. 4) Utilizați un sistem omologat de protecție a capului

(Fig. 5) Utilizați un sistem omologat de protecție a auzului

(Fig. 6) Utilizați ochelari de protecție omologați (ANSI Z87.1 sau echivalent)

(Fig. 7) Utilizați cizme și mănuși de protecție omologate

(Fig. 8) Purtați pantaloni lungi și îmbrăcăminte cu mâneci lungi

(Fig. 9) Nu purtați bijuterii în timp ce utilizați produsul.

(Fig. 10) Folosiți un vârf de șurubelniță pentru a elibera zăvorul.

(Fig. 11) Nu aspirați pietre, nisip, metal, sticlă spartă, resturi de cauciuc sau alte materiale care pot cauza deteriorări ale rotorului.

(Fig. 12) Produsul poate determina proiectarea de obiecte, ceea ce poate conduce la leziuni oculare

(Fig. 13) Nu vă apropiați de rotor în timpul funcționării

(Fig. 14) Șoc acționat complet

(Fig. 15) Șoc acționat pe jumătate

(Fig. 16) Șoc neacționat

(Fig. 17) Asigurați-vă că părul lung este strâns deasupra umerilor.

(Fig. 18) Distanță sigură

(Fig. 19) Nivel garantat de putere acustică

(Fig. 20) Produsul este în conformitate cu directivele CE aplicabile.

(Fig. 21) Produsul este în conformitate cu directivele EAC aplicabile.

(Fig. 22) Produsul este în conformitate cu directivele aplicabile în Ucraina.

Nota: Alte simboluri/autocolante de pe produs se referă la cerințele de certificare pentru alte zone comerciale.

EU V



AVERTISMENT: În urma modificării neautorizate a motorului, este anulată aprobarea de tip UE pentru acest produs.

Răspunderea pentru produs

Conform prevederilor legislației privind răspunderea pentru produs, nu ne asumăm răspunderea pentru daunele cauzate de produsul nostru dacă:

- produsul este reparat necorespunzător.
- produsul este reparat cu piese care nu provin de la producător sau care nu sunt aprobate de acesta.
- produsul are un accesoriu care nu provine de la producător sau care nu este aprobat de acesta.
- produsul nu este reparat la un centru de service omologat sau de o autoritate omologată.

SIGURANȚĂ

Definiții privind siguranța

Definițiile de mai jos indică nivelul de gravitate pentru fiecare cuvânt de semnalizare.



AVERTISMENT: Vătămări corporale.



ATENȚIE: Deteriorarea produsului.

Nota: Aceste informații facilitează utilizarea produsului.

Instrucțiuni generale de siguranță

- Utilizați produsul în mod corespunzător. Vătămările corporale sau decesul constituie un posibil rezultat al utilizării incorecte. Utilizați produsul numai pentru operațiile din acest manual. Nu utilizați produsul pentru alte sarcini.
- Respectați instrucțiunile din acest manual. Respectați simbolurile de siguranță și instrucțiunile de siguranță. Dacă operatorul nu respectă instrucțiunile și simbolurile, pot apărea vătămări corporale, daune materiale sau decese.
- Nu aruncați acest manual. Utilizați instrucțiunile pentru a asambla, a opera și a păstra produsul în stare bună. Utilizați instrucțiunile pentru instalarea corectă a accesoriilor. Utilizați numai accesorii aprobate.
- Nu utilizați un produs deteriorat. Respectați programul de întreținere. Efectuați numai operațiile de întreținere pentru care există instrucțiuni în acest manual. Un centru de service omologat trebuie să execute toate celelalte operații de întreținere.
- Acest manual nu poate include toate situațiile care pot apărea atunci când utilizați produsul. Procedați cu atenție și folosiți-vă simțul practic. Nu operați produsul și nu efectuați operații de întreținere la acesta dacă nu sunteți sigur cu privire la situație.

Discutați cu un expert de produs, cu distribuitorul, cu agentul de service sau cu centrul de service omologat pentru informații.

- Deconectați cablul bujei înainte de a asambla produsul, de a depozita produsul sau de a efectua operații de întreținere.
- Nu utilizați produsul dacă specificația sa inițială se modifică. Nu modificați o componentă a produsului fără aprobarea producătorului. Utilizați numai piese aprobate de producător. Vătămările corporale sau decesul constituie un posibil rezultat al întreținerii incorecte.
- Nu respirați în atmosfera cu vapori emiși de motor. Inhalarea pe termen lung a gazelor de eșapament ale motorului constituie un risc pentru sănătate.
- Nu porniți produsul în interior sau în apropierea unor materiale inflamabile. Gazele de eșapament sunt fierbinți și pot conține scântei care pot declanșa incendii. Un flux de aer insuficient poate cauza vătămare corporală sau deces din cauza asfixierii sau a monoxidului de carbon.
- Când utilizați acest produs motorul generează un câmp electromagnetic. Câmpul electromagnetic poate cauza deteriorarea implanturilor medicale. Discutați cu medicul dvs. și cu producătorul implantului medical înainte de a opera produsul.
- Nu permiteți copiilor să utilizeze produsul. Nu permiteți niciunei persoane care nu cunoaște instrucțiunile să utilizeze produsul.
- Asigurați-vă că monitorizați permanent o persoană cu capacități fizice sau mentale reduse care utilizează produsul. Un adult responsabil trebuie să fie prezent în permanență.
- Încuiați produsul într-o zonă inaccesibilă copiilor și persoanelor neaprobate.
- Produsul poate proiecta obiecte și poate cauza vătămări corporale. Respectați instrucțiunile de siguranță, pentru a reduce pericolul de vătămări corporale sau de deces.
- Nu vă îndepărtați de produs atunci când motorul este pornit.

- În caz de accident, operatorul produsului este responsabil.
- Înainte de a utiliza produsul, asigurați-vă că piesele nu sunt deteriorate.
- Asigurați-vă că vă aflați la minimum 15 m (50 ft) distanță de alte persoane sau animale înainte de a utiliza produsul. Asigurați-vă că persoanele din apropiere știu că urmează să utilizați produsul.
- Consultați legislația națională și locală. Aceasta poate interzice sau poate limita utilizarea produsului în unele situații.
- Nu utilizați produsul atunci când sunteți obosit sau dacă vă aflați sub influența alcoolului, drogurilor sau medicamentelor. Acestea vă pot influența negativ vederea, vigilența, coordonarea mișcărilor sau discernământul.
- Nu atingeți capacul de la orificiul de admisie. Păstrați bijuteriile și îmbrăcămintea lejeră departe de zona de admisie.
- Păstrați-vă întotdeauna echilibrul și operați produsul numai pe suprafețe sigure și plane. Suprafețele alunecoase sau instabile, precum scările, pot cauza pierderea echilibrului sau a controlului.
- Nu operați produsul în zone înalte, ca de exemplu pe acoperișuri.
- Asigurați produsul în timpul transportului.
- Operați produsul numai la orele recomandate. Respectați regulile locale. De obicei orarul recomandat este de la 9:00 a.m. la 5:00 p.m., de luni până sâmbătă.
- Operați produsul la cel mai redus nivel de accelerație posibil pentru lucru.

Siguranță vibrație

Acest produs este destinat doar pentru utilizare ocazională. Utilizarea continuă sau regulată a produsului poate cauza simptomul de „degete albe” sau alte probleme de natură medicală din cauza vibrațiilor. Examinați starea mâinilor și degetelor dacă utilizați produsul în mod continuu sau regulat. Dacă mâinile sau degetele s-au decolorat, vă dor, simțiți furnicăături sau sunt amorțite, încetați lucrul și contactați imediat un medic.

Instrucțiuni de siguranță pentru operarea suflantei

- Operați produsul numai pentru suflarea sau îndepărtarea frunzelor sau altor resturi de pe sol.
- Nu operați niciodată produsul atunci când sunteți obosit, bolnav sau dacă ați consumat alcool, droguri sau ați luat medicamente.
- Nu permiteți persoanelor sau animalelor din jur să se apropie la mai puțin de 15 m (50 ft) de operator.
- Produsul poate arunca obiecte cu viteză mare, care pot ricoșa și pot lovi operatorul. Acest lucru poate cauza rănirea ochilor.
- Nu îndreptați duza suflantei în direcția persoanelor sau a animalelor.
- Asigurați-vă că părul lung este strâns deasupra umerilor.
- Opriți motorul înainte de a monta sau demonta accesoriile sau alte componente.
- Nu operați produsul fără apărătoare.
- Nu utilizați produsul dacă se află persoane în zona de lucru. Opriți produsul dacă o persoană intră în zona de lucru.
- Nu operați produsul într-un spațiu fără un flux de aer suficient. Un flux de aer insuficient poate cauza vătămare corporală sau deces din cauza asfiriei sau a monoxidului de carbon.
- Amortizorul de zgomot este foarte fierbinte în timpul funcționării produsului, după ce se oprește și când funcționează la turație de mers în gol. Aveți grijă lângă materiale inflamabile și vapori inflamabili.
- Dirijați resturile suflate în siguranță. Aveți grijă la copii, animale, ferestre deschise sau vehicule.
- Nu îndreptați produsul spre plante care pot fi afectate ușor.
- Nu suflați aerul în direcția obiectelor precum pereți, pietre mari, vehicule și garduri.
- Dacă lucrați în colțuri interioare, suflați dinspre colț către centrul zonei de lucru. În caz contrar, resturile vă pot lovi în față și pot cauza vătămări oculare.
- Utilizați extensia completă a duzei pentru a menține jetul de aer la nivelul solului.
- Persoanele din apropiere trebuie să poarte protecție oculară.
- Aruncați resturile într-un tomberon după utilizarea produsului.

Instrucțiuni de siguranță pentru operarea aspiratorului

- Împiedicați deteriorarea ventilatorului. Nu aspirați obiecte mari și solide precum lemn, cutii de conserve, resturi de cauciuc sau bucăți lungi de sfoară.
- Nu permiteți ca tubul aspiratorului să atingă solul.
- Opriți motorul și deconectați pipa bujei înainte de a îndepărta un blocaj sau material înfundat.

Echipamentul individual de protecție

- Utilizați întotdeauna echipamentul individual de protecție atunci când operați produsul. Echipamentul individual de protecție nu elimină pericolul de vătămări corporale. Echipamentul individual de

protecție reduce gravitatea vătămării corporale în cazul producerii unui accident.

- În timp ce operați produsul, utilizați întotdeauna ochelari de protecție omologați.
- Nu operați produsul desculț sau cu pantofi decupați. Utilizați întotdeauna ghete pentru regim greu de lucru, rezistente la alunecare.
- Utilizați pantaloni lungi, groși.
- Dacă este necesar, utilizați mănuși de protecție omologate.
- Utilizați o cască dacă există riscul de a vă cădea obiecte în cap.
- În timp ce operați produsul, utilizați întotdeauna protecții pentru ureche omologate. Zgomotul prelungit poate cauza pierderea auzului indusă de zgomot.
- Utilizați întotdeauna o mască împotriva prafului omologată în timp ce operați produsul în medii cu praf.
- Asigurați-vă că aveți în apropiere o trusă de prim-ajutor.

Dispozitive de protecție la produs

- Asigurați-vă că efectuați cu regularitate întreținerea produsului.
 - Durata de viață a produsului crește.
 - Riscul de accidente scade.

Permiteți unui distribuitor omologat sau unui centru de service omologat să examineze cu regularitate produsul, pentru a efectua reglaje sau reparații.

- Nu utilizați un produs cu echipamentul de protecție deteriorat. Dacă produsul este deteriorat, luați legătura cu un centru de service omologat.

Buton oprire

Porniți motorul. Asigurați-vă că motorul se oprește atunci când deplasați comutatorul de oprire în poziția de oprire.

Amortizor de zgomot



AVERTISMENT: Nu atingeți amortizorul de zgomot dacă este fierbinte. Amortizorul de zgomot este foarte fierbinte în timpul funcționării motorului și după ce se oprește. Dacă atingeți amortizorul de zgomot, acesta poate cauza arsuri.

- Nu utilizați un motor cu un amortizor de zgomot deteriorat. Un amortizor de zgomot deteriorat determină creșterea nivelului de zgomot și a pericolului de incendiu. Păstrați un stingător de incendiu în apropiere.
- Verificați cu regularitate ca amortizorul de zgomot să fie atașat la produs.
- Nu atingeți motorul sau amortizorul de zgomot în timp ce motorul este pornit. Nu atingeți motorul sau amortizorul de zgomot pentru o perioadă după

oprirea motorului. Zonele fierbinți pot provoca vătămări corporale.

- Un amortizor de zgomot fierbinte poate cauza incendii. Fiți atent dacă utilizați produsul în apropierea lichidelor inflamabile sau a vaporilor.
- Nu atingeți componente ale amortizorului de zgomot dacă acesta este deteriorat. Componentele pot conține materiale carcinogenice.
- Anumite modele de suflante sunt echipate cu un ecran parascântei. Curățați și înlocuiți ecranul la intervalele specificate. Consultați secțiunea *Întreținere (ÎNȚREȚINEREA la pagina 229)*.

Reguli de siguranță referitoare la carburant

- Nu porniți produsul dacă pe acesta se află carburant sau ulei pentru motor. Îndepărtați carburantul/uleiul nedorit și lăsați produsul să se usuce. Îndepărtați carburantul nedorit din produs.
- Dacă vărsați carburantul pe îmbrăcăminte, schimbați imediat hainele.
- Nu vărsați carburantul pe corp - poate provoca vătămări corporale. Dacă vărsați carburant pe corp, utilizați apă și săpun pentru a elimina carburantul.
- Nu porniți motorul dacă vărsați ulei sau carburant pe produs sau pe corp.
- Nu porniți produsul dacă motorul prezintă scurgeri. Examinați cu regularitate motorul, pentru a identifica eventuale scurgeri.
- Manipulați cu atenție carburantul. Carburantul este inflamabil, vaporii sunt explozivi și pot cauza vătămări corporale sau deces.
- Nu respirați vaporii de carburant, se pot produce vătămări corporale. Asigurați-vă că fluxul de aer este suficient.
- Nu fumați în apropierea carburantului sau a motorului.
- Nu amplasați obiecte calde în apropierea carburantului sau a motorului.
- Nu adăugați carburant atunci când motorul este pornit.
- Asigurați-vă că motorul este rece înainte de a realimenta.
- Înainte de a realimenta, deschideți lent capacul rezervorului de carburant și eliberați cu atenție presiunea.
- Nu adăugați carburant la motor într-o zonă interioară. Un flux de aer insuficient poate cauza vătămare corporală sau deces din cauza asfrierii sau a monoxidului de carbon.
- Strângeți cu atenție capacul rezervorului de carburant; în caz contrar, se pot produce incendii.
- Înainte de pornire, mutați produsul la o distanță de minimum 3 m (10 ft) față de poziția unde ați umplut rezervorul.
- Nu introduceți prea mult carburant în rezervorul de carburant.

- Asigurați-vă că nu se pot produce scurgeri atunci când mutați produsul sau rezervorul de carburant.
- Nu poziționați produsul sau rezervorul de carburant în apropierea unei flăcări deschise, a scânteilor sau a unei lumini pilot. Asigurați-vă că în zona de depozitare nu se află flăcări deschise.
- Utilizați numai recipiente omologate atunci când mutați carburantul sau îl introduceți în spațiul de depozitare.
- Goliți rezervorul de carburant înainte de a-l depozita pe termen lung. Respectați legislația locală cu privire la locația de eliminare a carburantului.
- Curățați produsul înainte de depozitare pe termen lung.
- Îndepărtați cablul bujiei înainte de a introduce produsul în spațiul de depozitare, pentru a vă asigura că motorul nu pornește accidental.

Instrucțiuni de siguranță pentru întreținere



AVERTISMENT: Întreținerea incorectă poate duce la deteriorarea gravă a motorului sau la răniri grave.

Proprietarul este responsabil de efectuarea tuturor operațiilor de întreținere necesare, așa cum se arată în manualul de utilizare. Deconectați bujia, înainte de a efectua operațiuni de întreținere. Nu deconectați bujia înainte de efectuarea reglajelor la carburant.

ASAMBLAREA



AVERTISMENT: Citiți capitolul de siguranță înainte de asamblarea produsului.

Pentru a instala tubul superior al suflantei

1. Aliniați fanta de pe tubul superior al suflantei (A) cu clapeta de pe orificiul de evacuare al suflantei (B). (Fig. 23)
2. Împingeți complet tubul superior al suflantei în orificiul de evacuare al suflantei.
3. Rotiți tubul superior al suflantei până când orificiul tubului este aliniat cu filetele piuliței din orificiul de evacuare al suflantei. (Fig. 24)
4. Instalați șurubul (C). (Fig. 25)
5. Rotiți șurubul în sensul acelor de ceasornic cu o șurubelniță pentru a atașa tubul.

Pentru a instala tubul inferior al suflantei

1. Aliniați fantele de pe tubul inferior al suflantei (A) cu clapetele de pe tubul superior al suflantei (B). (Fig. 26)
2. Împingeți complet tubul inferior al suflantei peste tubul superior al suflantei.
3. Rotiți complet tubul inferior al suflantei până când clapeta este împinsă până la capătul fantei. (Fig. 27)

Pentru a instala tubul VX™ al suflantei

1. Aliniați fantele de pe tubul VX™ al suflantei (A) cu clapetele de pe tubul superior al suflantei (B). (Fig. 28)

2. Împingeți complet tubul VX™ al suflantei peste tubul superior al suflantei.
3. Rotiți complet tubul VX™ al suflantei până când clapeta este împinsă până la capătul fantei. (Fig. 29)

Pentru a instala tubul superior al aspiratorului

1. Introduceți vârful unei șurubelnițe în zona zăvorului de pe orificiul de admisie al aspiratorului. (Fig. 30)
2. Înclinați ușor mânerul șurubelniței spre partea din față a produsului pentru a elibera zăvorul.
3. Țineți deschis capacul orificiului de admisie al aspiratorului până când instalați tubul superior al aspiratorului. (Fig. 31)
4. Aliniați umărul din interiorul orificiului de admisie al aspiratorului cu fantele de pe tubul superior al aspiratorului.

Nota: Aliniați indicatorii la deschiderea orificiului de admisie al aspiratorului și la tubul superior al aspiratorului.

5. Împingeți complet tubul superior al aspiratorului în orificiul de admisie al aspiratorului.
6. Rotiți complet tubul superior al aspiratorului în sensul acelor de ceasornic până când se aude un clic. (Fig. 32)

Pentru a instala tubul inferior al aspiratorului

1. Aliniați fanta de pe tubul inferior al aspiratorului cu clapeta de pe tubul superior al aspiratorului.
2. Împingeți complet tubul inferior al aspiratorului pe tubul superior al aspiratorului până când clapeta este împinsă până la capătul fantei. (Fig. 33)

3. Instalați șurubul.
4. Rotiți șurubul în sensul acelor de ceasornic cu o șurubelniță pentru a atașa tubul. (Fig. 34)

Pentru a instala tubul sacului colector

1. Aliniați fanta de pe tubul sacului colector (A) cu clapeta de pe orificiul de evacuare al suflantei (B). (Fig. 35)

2. Împingeți complet tubul sacului colector în orificiul de evacuare al suflantei.
3. Rotiți tubul sacului colector până când orificiul tubului este aliniat cu filetele piuliței din orificiul de evacuare al suflantei. (Fig. 36)
4. Instalați șurubul (C).
5. Rotiți șurubul în sensul acelor de ceasornic cu o șurubelniță pentru a atașa tubul. (Fig. 37)

FUNȚIONAREA



AVERTISMENT: Citiți și înțelegeți capitolul referitor la siguranță înainte de utilizarea produsului.

Carburant

Pentru utilizarea carburantului



ATENȚIE: Acest produs este prevăzut cu motor în doi timpi. Utilizați un amestec de benzină și de ulei pentru motor în doi timpi. Asigurați-vă că utilizați cantitatea corectă de ulei în amestec. Un raport incorect între benzină și ulei poate cauza deteriorarea motorului.

Benzină



ATENȚIE: Nu utilizați benzină cu o cifră octanică mai mică de 90 RON (87 AKI). Aceasta poate deteriora produsul.



ATENȚIE: Nu utilizați benzină cu o concentrație de etanol de peste 10% (E10). Aceasta poate deteriora produsul.

- Utilizați întotdeauna benzină fără plumb, cu o cifră octanică minimă de 90 RON (87 AKI) și cu o concentrație de etanol sub 10% (E10).
- Utilizați benzină cu o cifră octanică mai mare dacă utilizați frecvent produsul în mod continuu, la o turație de motor ridicată.

Ulei pentru motor în doi timpi

- Utilizați numai ulei de calitate pentru motor în doi timpi. Utilizați numai ulei pentru motor răcit cu aer.
- Nu utilizați alte tipuri de ulei.
- Raport de amestec 50:1 (2%)

Benzină	Ulei
1 galon S.U.A.	77 ml (2,6 oz)
1 galon Marea Britanie	95 ml (3,2 oz)
5 l	100 ml (3,4 oz)

Pentru realizarea amestecului

Nota: Când amestecați combustibilului, utilizați întotdeauna un rezervor de carburant curat.

Nota: Nu realizați o cantitate de amestec pentru mai mult de 30 de zile.

1. Adăugați jumătate din cantitate de benzină.
2. Adăugați cantitatea completă de ulei.
3. Agitați amestecul, pentru amestecarea conținutului.
4. Adăugați cantitatea de benzină rămasă.
5. Agitați amestecul, pentru amestecarea conținutului.
6. Umpleți rezervorul de carburant.

Pentru adăugarea de carburant

- Utilizați întotdeauna un rezervor de carburant cu supapă antivărsare.
- Dacă a rămas combustibil în recipient, îndepărtați carburantul nedorit și lăsați recipientul să se usuce.
- Asigurați-vă că zona din apropierea capacului rezervorului de carburant este curată.
- Scuturați rezervorul de carburant înainte de a adăuga amestecul în acesta.

Pentru pornire și oprire

Înainte de pornirea motorului

- Examinați produsul pentru a identifica eventuale piese lipsă, deteriorate, slăbite sau uzate.
- Verificați sacul de colectare. Asigurați-vă că sacul colector nu este deteriorat și fermoarul este închis.
- Examinați piulițele, șuruburile și bolțurile.
- Examinați filtrul de aer.
- Verificați dacă pârghia de accelerație funcționează corespunzător.
- Verificați dacă comutatorul de oprire funcționează corespunzător.
- Examinați produsul pentru scurgeri de carburant.

Pentru pornirea unui motor rece



AVERTISMENT: Nu înfășurați șnurul de pornire în jurul mâinii.



ATENȚIE: Nu țineți produsul cu piciorul.



ATENȚIE: Nu trageți de șnurul de pornire până la poziția de capăt. Nu eliberați mânerul șnurului de pornire când acesta este extins. Aceasta poate deteriora produsul.

Nota: Dacă motorul se oprește, deplasați comanda șocului în poziția închis și repetați pașii de pornire.

1. Umpleți rezervorul de carburant cu un amestec curat de combustibil.
2. Utilizați mâna stângă pentru a ține carcasa mașinii pe sol. Asigurați-vă că partea suflantei nu este îndreptată spre persoane, animale, sticlă sau obiecte solide.
3. Apăsăți încet butonul purjor de 10 ori.
4. Împingeți maneta de șoc în poziția ȘOC TRAS COMPLET.
5. Apăsăți și țineți apăsată pârghia de accelerație.
6. Trageți repede de mânerul pentru șnurul de pornire până când motorul încearcă să pornească, dar nu mai mult de 3 ori.

Nota: Dacă temperatura este mai mică de 4 °C (40 °F), continuați să trageți șnurul de pornire până când motorul încearcă să pornească.

7. Împingeți maneta de șoc în poziția ȘOC TRAS PE JUMĂTATE.
8. Trageți repede de mânerul pentru șnurul de pornire, până când motorul pornește.
9. Lăsați motorul să funcționeze timp de 10 secunde.
10. Împingeți clapeta de șoc în poziția ȘOC NEACȚIONAT.

Pentru pornirea unui motor cald

1. Apăsăți încet butonul purjor de 10 ori.
2. Împingeți maneta de șoc în poziția ȘOC TRAS PE JUMĂTATE.
3. Trageți repede de mânerul pentru șnurul de pornire, până când motorul pornește.
4. Împingeți clapeta de șoc în poziția ȘOC NEACȚIONAT.

Pornirea unui motor cu blocarea vaporilor

Blocarea vaporilor are loc atunci când combustibilul din conducta de combustibil sau din carburator se vaporizează din cauza căldurii mari.

Produsul poate activa blocarea vaporilor dacă nu repornește la o temperatură ambiantă mai mică de 35°C (95°F) și a fost oprit timp de 15-45 minute.

1. Apăsăți din nou purjorul de 10-15 secunde.
2. Împingeți maneta de șoc în poziția ȘOC TRAS PE JUMĂTATE.
3. Trageți repede de mânerul pentru șnurul de pornire, până când motorul pornește.
4. Lăsați motorul să se încălzească timp de 3 minute la turația de mers în gol.
5. Împingeți clapeta de șoc în poziția ȘOC NEACȚIONAT.

Pentru a opri motorul

- Apăsăți și eliberați butonul STOP al motorului. Butonul va reveni automat în poziția ON. Așteptați 7 secunde înainte de a-l reporni pentru a vă asigura că comutatorul se resetează.

Pentru a regla tubul VX™ al suflantei

1. Aliniați fanta corectă (A sau B) de pe tubul VX™ exterior al suflantei cu clapeta (C) de pe tubul interior. (Fig. 38)

Nota: Nu puteți vedea clapeta atunci când tuburile sunt asamblate. Trebuie să simțiți poziția clapetei pe măsură ce mișcați tubul exterior.

Nota: Cuplați clapeta în poziția „A” pentru o deschidere mare a suflantei. O deschidere mare a suflantei deplasează frunze uscate și alte materiale nedorite pe zone mari. Cuplați clapeta în poziția „B” pentru o deschidere mică a suflantei. O deschidere mică a suflantei produce un debit de aer mai rapid pentru a curăța crăpături și muchii și pentru a deplasa materiale grele precum frunze ude.

2. Rotiți tubul exterior ca în imagine pentru a decupla clapeta din fantă. (Fig. 39)
3. Deplasați tubul exterior de-a lungul tubului interior pentru a modifica poziția. (Fig. 40)
4. Rotiți tubul exterior ca în imagine până când clapeta este cuplată complet până la capătul locașului corect al fantei. (Fig. 41)

Poziția de funcționare

- Suflantă (Fig. 42)
- Aspirator (Fig. 43)

Aspirarea

Înainte de a începe aspirarea, puneți-vă echipamentul de protecție necesar.



AVERTISMENT: Asigurați-vă că sacul colector nu este deteriorat și fermoarul este închis înainte de utilizare. Nu utilizați un sac deteriorat. Acesta previne răniile în cazul resturilor propulsate. Operarea cu mâna stângă crește riscul. Nu atingeți zona de evacuare cu corpul.



AVERTISMENT: Nu porniți suflanta dacă capacul de la orificiul de admisie este deschis sau deteriorat (cu excepția situației în care tubul de aspirare este montat).

- Când utilizați suflanta, sacul colector trebuie să fie susținut de curea pentru umăr. Hamul trebuie purtat deasupra umărului.
- Porniți suflanta. Respectați instrucțiunile din capitolul privind pornirea și oprirea *Pentru pornire și oprire la*

pagina 227. Citiți instrucțiunile de siguranță *SIGURANȚĂ la pagina 223.*

Golirea sacului colector



AVERTISMENT: Verificați întotdeauna sacul colector. Asigurați-vă că nu este deteriorat și fermoarul este închis înainte de utilizare. Nu utilizați un sac deteriorat. Există pericol de vătămări corporale din cauza resturilor propulsate. Aveți grijă, mai ales în cazul operării cu mâna stângă. Nu atingeți zona eșapamentului.

1. Opriți produsul.
2. Deschideți fermoarul sacului.
3. Goliți sacul colector.
4. Închideți fermoarul.

ÎNȚEȚINEREA



AVERTISMENT: Citiți și înțelegeți capitolul privind siguranța înainte de a efectua operații de curățare, reparație sau întreținere asupra produsului.

Planificarea întreținerii

Respectați programul de întreținere. Intervalele sunt calculate considerând o utilizare zilnică a produsului. Intervalele sunt diferite dacă nu utilizați zilnic produsul. Efectuați numai operațiile de întreținere care se regăsesc în acest manual. Discutați cu un centru de service omologat cu privire la operații de întreținere care nu sunt menționate în acest manual.

Întreținerea zilnică

- Curățați suprafețele exterioare.
- Verificați funcționarea controlului vitezei și a pârghiei de accelerație. Înlocuiți componentele deteriorate.
- Examinați butonul de oprire. Dacă este necesar, înlocuiți-l.
- Verificați turajia de mers în gol.
- Curățați filtrul de aer. Dacă este necesar, înlocuiți-l.
- Asigurați-vă că capacul de la orificiul de admisie poate fi blocat în poziția închis. Asigurați-vă că rotorul este curat.
- Strângeți toate șuruburile și toate piulițele.
- Asigurați-vă ca nici o carcasă să nu aibă crăpături.
- Asigurați-vă că sacul colector nu este deteriorat și fermoarul funcționează. Înlocuiți sacul dacă este necesar.

Întreținerea săptămânală

- Verificați starea de funcționare a dispozitivului de pornire, șnurul de pornire și arcul de tensionare. Înlocuiți toate componentele deteriorate.

- Verificați starea prizei de aer a dispozitivului de pornire. Îndepărtați resturile dacă priza de aer este înfundată.
- Curățați exteriorul bujiei. Îndepărtați-o și verificați distanța dintre electrozi. Reglați distanța la 6 mm (0,024 in) sau înlocuiți bujia.
- Curățați lamele rotorului.
- Curățați ecranul de stingere a scânteilor și înlocuiți-l dacă este necesar (nu în cazul amortizoarelor de zgomot cu convertor catalitic).
- Curățați zona carburatorului.
- Curățați filtrul de aer.

Întreținerea lunară

- Verificați mânerul șnurului de pornire și șnurul propriu-zis.
- Curățați rezervorul de combustibil.
- Curățați carburatorul și zona din jurul acestuia.
- Curățați lamele rotorului.
- Verificați dacă conductele pentru combustibil sunt crăpate sau au alte defecțiuni. Schimbați-l, dacă e nevoie
- Schimbați filtrul pentru combustibil din rezervorul de combustibil.
- Examinați toate cablurile și conexiunile.
- Înlocuiți bujia.
- Schimbați filtrul de aer.

Întreținerea anuală

- Verificați bujia.
- Curățați suprafețele exterioare ale carburatorului și zonele adiacente ale acestuia.
- Curățați sistemul de răcire.
- Verificați ecranul extingătorului de scânteie.
- Examinați filtrul de carburant.
- Verificați integritatea furtunului de carburant.

- Examinați toate cablurile și conexiunile.

Întreținerea la 50 de ore

- Solicitați unui centru de service omologat repararea sau înlocuirea amortizorului de zgomot.

Pentru reglarea turației de mers în gol

Asigurați-vă că filtrul de aer este curat și că s-a executat montarea capacului filtrului de aer, înainte de a regla turația de mers în gol.

Ajustați turația de mers în gol utilizând șurubul de reglare.

(Fig. 44)

Turația de mers în gol este corectă când motorul funcționează uniform în toate pozițiile.

1. Rotiți șurubul de reglare în sensul acelor de ceasornic pentru viteză mai mare.
2. Rotiți șurubul de reglare în sensul contrar acelor de ceasornic pentru viteză mai mică.

Pentru a efectua operații de întreținere la ecranul extingtorului de scânteii

Utilizați o perie de sârmă, pentru a curăța ecranul extingtorului de scânteii.

Pentru a curăța sistemul de răcire

Curățați componentele sistemului de răcire cu o perie.

Pentru a verifica bujia



ATENȚIE: Folosiți întotdeauna tipul recomandat de bujie. Tipul incorect de bujie poate defecta produsul.

- Verificați bujia dacă motorul nu are putere, nu pornește ușor sau nu funcționează corect la turația de mers în gol.
- Pentru a reduce riscul prezenței materialelor nedorite la electrozii bujiei, respectați aceste instrucțiuni:
 - a) Asigurați-vă că turația de mers în gol este corect reglată.
 - b) Asigurați-vă că amestecul este corect.
 - c) Asigurați-vă că filtrul de aer este curat.
- Dacă bujia este murdară, curățați-o și asigurați-vă că distanța dintre electrozii este corectă. Consultați *DATE TEHNICE la pagina 230.* (Fig. 45)
- Înlocuiți bujia dacă este necesar.

Pentru a efectua întreținerea filtrului de aer

Pentru a curăța filtrul de aer

1. Îndepărtați capacul filtrului de aer și scoateți filtrul de aer.
2. Curățați filtrul de aer, folosind apă caldă cu săpun. Asigurați-vă că filtrul de aer este uscat, înainte de a-l instala.
3. Înlocuiți filtrul de aer dacă este prea murdar pentru a fi curățat în totalitate. Înlocuiți întotdeauna un filtru de aer deteriorat.
4. Dacă produsul dvs. dispune de un filtru de aer cu spumă, aplicați ulei pentru filtre de aer. Aplicați ulei pentru filtre de aer numai la un filtru cu spumă. Nu aplicați ulei pe un filtru din păslă.

DATE TEHNICE

	unitate	GBV 322 (GHB28VPR)	GBV 322VX (GHB28VPR)
Specificații motor			
Cilindree	cm ³	26	26
Apărătoare electrod	mm	0,6	0,6
Volum rezervor de carburant	cm ³	500	500
Turație de mers în gol	min ⁻¹	2800 - 3200	2800 - 3200
Turație de ieșire maximă	min ⁻¹	8000	8000
Randament de putere	kW	0,8	0,8

	unitate	GBV 322 (GHB28VPR)	GBV 322VX (GHB28VPR)
Bujia		Champion RCJ-6Y	Champion RCJ-6Y
Turație maximă în mod suflantă	min ⁻¹	8600	8600
Turație maximă în mod aspirator	min ⁻¹	--	7500
Perioada de rezistență a emisiilor	ore	50	50
Date privind zgomotul și vibrațiile			
Nivel echivalent de vibrații la mânăre cu tuburi de suflare și duză (originale) - consultați nota 1	m/s ²	7,5	7,5
Nivel echivalent de vibrații la mânăre cu tuburi de aspirare (originale), stânga/dreapta - consultați nota 1	m/s ²	7,4	7,4
Nivel echivalent de presiune acustică la urechea utilizatorului măsurat conform ISO 22868, echipat cu tuburi și duză (originale) - consultați nota 3	dB(A)	95,6	95,6
Nivel de putere acustică garantat (L _{WA}) - consultați nota 2	dB(A)	112	112
Nivel de putere acustică măsurat - consultați nota 2	dB(A)	109	109
Dimensiuni produse			
Greutate	kg	4,4	4,5
<p>Nota 1: Datele raportate pentru nivelul echivalent de vibrații includ o dispersie statistică tipică (abatere standard) de 1,5 m/s².</p> <p>Nota 2: Emisiile de zgomot în mediu măsurate ca putere acustică (L_{WA}) în conformitate cu directiva CE 2000/14/CE. Nivelul de putere a sunetului raportat pentru aparat a fost măsurat cu accesoriul original care emite cel mai ridicat nivel. Diferența dintre puterea garantată a sunetului și cea măsurată este aceea că puterea garantată a sunetului include, de asemenea, dispersia în rezultatul de măsurare și variațiile dintre diferitele aparate ale aceluiași model conform Directivei 2000/14/EC.</p> <p>Nota 3: Datele raportate pentru nivelul echivalent de presiune a sunetului pentru dispozitiv includ o dispersie statistică tipică (deviere standard) de 3 dB (A).</p>			

Ventilator	unitate	GBV 322	GBV 322VX
Tip		Ventilator radial	Ventilator radial
Viteză maximă a aerului, duză standard	km/h	322	-
Viteză max. aer, tubul VX™ al suflantei*	km/h	-	370
Volum de aer în mod suflantă	cfm	370	450
Volum de aer în mod aspirator	cfm	490	490
Raport de mărunțire		10:1	16:1
*accesorii opționale			

CONȚINUTUL DECLARAȚIEI DE CONFORMITATE CE

Noi, Husqvarna AB, SE 561 82 Huskvarna, SUEEDIA, declarăm pe propria răspundere că produsul reprezentat:

Descriere	Suflantă/suflantă-aspirator pe benzină
Marcă	McCulloch
Platformă/Tip/Model	Platforma GHB28VPR, reprezentând modelul GBV 322, GBV 322VX
Lot	Serie cu data 2018 și în continuare

respectă în totalitate următoarele directive și reglementări UE:

Directivă/Reglementare	Descriere
2006/42/CE	„aferentă utilajelor”
2014/30/UE	„aferentă compatibilității electromagnetice”
2000/14/CE	„privind zgomotul exterior”

Standardele armonizate și/sau specificațiile tehnice aplicate sunt următoarele: EN ISO 12100, EN 15503, CISPR 12, ISO 14982

În conformitate cu directiva 2000/14/CE, Anexa V, valorile sonore declarate sunt declarate în secțiunea Date tehnice a prezentului manual și în Declarația de conformitate CE semnată.

TÜV Rheinland N.A. a efectuat o examinare voluntară în numele Husqvarna AB, eliberând un certificat de conformitate cu directiva Consiliului CE 2006/42/CE privind utilajele.

Certificatul, furnizat în Declarația de conformitate CE semnată, se aplică pentru toate locațiile de fabricație și pentru toate țările de proveniență indicate pe produs.

Suflanta/suflanta-aspirator pe benzină furnizată este conformă cu exemplarul care a fost supus examinării.

Содержание

ВВЕДЕНИЕ.....	233	ТЕХНИЧЕСКОЕ ОБСЛУЖИВАНИЕ.....	241
МЕРЫ БЕЗОПАСНОСТИ.....	234	ТЕХНИЧЕСКИЕ ДАННЫЕ.....	242
СБОРКА.....	238	СОДЕРЖАНИЕ ДЕКЛАРАЦИИ О	
ЭКСПЛУАТАЦИЯ.....	238	СООТВЕТСТВИИ ЕС.....	244

ВВЕДЕНИЕ

Руководство по эксплуатации

Исходный текст данного руководства по работе составлен на английском языке. Руководства по

работе на других языках являются переводами с английского.

Обзор

(Рис. 1)

1. Наплечный ремень
2. Пусковое устройство дросселя
3. Выключатель
4. Круиз-контроль
5. Корпус вентилятора
6. Крышка топливного бака
7. Воздушный фильтр
8. Заслонка
9. Кнопка подкачивающего насоса
10. Впускная крышка
11. Ручка пылесоса
12. Мульчирующий нож (GBV 322VX)
13. Крыльчатка вентилятора
14. Нижняя труба воздуходувки (GBV 322)
15. Труба воздуходувки VX™ (GBV 322VX)
16. Верхняя труба воздуходувки
17. Болт
18. Глушитель
19. Провод заземления
20. Ручка шнура стартера
21. Стартер
22. Рукоятка
23. Комбинированный инструмент
24. Трубка сборника
25. Сборник
26. Всасывающая трубка, состоящая из двух секций
27. Винт
28. Руководство по эксплуатации

Условные обозначения на изделии

(Рис. 2) Предупреждение

(Рис. 3) Прочтите данное руководство по эксплуатации

(Рис. 4) Пользуйтесь проверенным защитным шлемом

(Рис. 5) Используйте одобренные средства защиты органов слуха

(Рис. 6) Используйте одобренные средства защиты глаз (ANSI Z87.1 или аналогичный стандарт)

(Рис. 7) Используйте одобренные защитные ботинки и перчатки

(Рис. 8) Надевайте одежду с длинным рукавом и брюки

(Рис. 9) Не надевайте украшения при работе с изделием.

(Рис. 10) Разблокируйте защелку, поддев ее концом отвертки.

(Рис. 11) Запрещается собирать пылесосом камни, гравий, металл, осколки стекла, обрывки резины и прочий материал, который может привести к повреждениям крыльчатки.

(Рис. 12) Изделие может отбрасывать находящиеся на земле предметы, что может причинить вред глазам

(Рис. 13) Не подходите близко к крыльчатке, когда она вращается

(Рис. 14) Заслонка полностью закрыта

(Рис. 15) Заслонка закрыта наполовину

(Рис. 16) Заслонка полностью открыта

(Рис. 17) Длинные волосы уберите вверх.

(Рис. 18) Безопасная дистанция

(Рис. 19) Гарантированный уровень мощности звука

(Рис. 20) Изделие соответствует действующим директивам ЕС.

(Рис. 21) Изделие соответствует действующим директивам ЕАС.

(Рис. 22) Изделие соответствует действующим директивам Украины.

Примечание: Остальные символы/этикетки на изделии отвечают требованиям, предъявляемым к сертификации в других коммерческих зонах.

ЕС V



ПРЕДУПРЕЖДЕНИЕ: В случае вмешательства в работу двигателя

Ответственность изготовителя

В соответствии с законами об ответственности изготовителя мы не несем ответственности за ущерб, вызванный эксплуатацией нашего изделия в результате:

- ненадлежащего ремонта изделия;
- использования для ремонта изделия неоригинальных деталей или деталей, неодобренных производителем;
- использования неоригинальных дополнительных принадлежностей или неодобренных производителем;
- ремонта изделия в неавторизованном сервисном центре или неквалифицированным специалистом.

МЕРЫ БЕЗОПАСНОСТИ

Инструкции по технике безопасности

Ниже приведены определения уровня опасности для каждого сигнального слова.



ПРЕДУПРЕЖДЕНИЕ: Травмирование человека.



ВНИМАНИЕ: Повреждение изделия.

Примечание: Эта информация поможет упростить эксплуатацию изделия.

Общие инструкции по технике безопасности

- Пользуйтесь изделием правильно. Неправильное использование может привести к травме или смертельному исходу. Изделие предназначено только для выполнения работ, описанных в данном руководстве. Запрещается использовать изделие для других видов работ.
- Соблюдайте инструкции, изложенные в данном руководстве. Обращайте внимание на знаки безопасности и следуйте инструкциям по технике безопасности. Несоблюдение оператором инструкций и знаков может привести к травме, повреждениям или смерти.
- Не выбрасывайте это руководство. Следуйте инструкциям по сборке, эксплуатации и уходу за изделием. Используйте эти инструкции для

правильной установки насадок и дополнительных принадлежностей. Используйте только апробированные насадки и аксессуары.

- Не используйте поврежденное изделие. Соблюдайте график техобслуживания. Выполняйте самостоятельно только те работы по техобслуживанию, которые описаны в данном руководстве. Все другие работы по техобслуживанию должны выполняться авторизованным сервисным центром.
- В данное руководство невозможно включить все ситуации, которые могут возникнуть при использовании изделия. Будьте осторожны и руководствуйтесь здравым смыслом. Если вы не уверены в ситуации, не используйте изделие и не выполняйте его техобслуживание. Для получения необходимой информации обратитесь к специалисту по продукции, дилеру, специалисту по обслуживанию или в авторизованный сервисный центр.
- Отсоединяйте кабель свечи зажигания перед сборкой изделия, помещением его на хранение или проведением техобслуживания.
- Запрещается использовать изделие, если были изменены его исходные технические характеристики. Запрещено вносить изменения в конструкцию изделия без одобрения производителя. Используйте только рекомендованные производителем запчасти. Неправильное техобслуживание может привести к травме или смертельному исходу.
- Не вдыхайте выхлопные газы двигателя. Продолжительное вдыхание выхлопных газов двигателя опасно для здоровья.
- Запрещается запускать изделие в помещении или рядом с легковоспламеняющимися материалами. Выхлопные газы имеют высокую

температуру и могут содержать искры, которые в свою очередь могут привести к пожару. Недостаточная вентиляция может привести к травме или смерти в результате удушья или отравления угарным газом.

- Во время работы вокруг двигателя создается электромагнитное поле. Электромагнитное поле может привести к повреждению медицинских имплантатов. Проконсультируйтесь с врачом и изготовителем имплантата перед использованием изделия.
- Не позволяйте детям использовать изделие. Не разрешайте пользоваться изделием людям, которые не знакомы с данными инструкциями.
- Не позволяйте людям с ограниченными физическими или умственными способностями пользоваться данным изделием без присмотра. Они должны постоянно находиться под присмотром взрослого.
- Запирайте изделие в месте, не доступном для детей и лиц, не допущенных к эксплуатации изделия.
- Во время работы изделие может отбрасывать находящиеся на земле предметы, что может привести к травме. Чтобы уменьшить риск получения серьезных или смертельных травм, соблюдайте инструкции по технике безопасности.
- Запрещается оставлять изделие с работающим двигателем без присмотра.
- При возникновении несчастного случая ответственность несет оператор изделия.
- Перед использованием изделия проверьте детали на отсутствие повреждений.
- Перед началом эксплуатации изделия убедитесь, что вы находитесь на расстоянии не менее 15 м (50 футов) от других людей или животных. Убедитесь, что находящиеся поблизости люди знают, что вы будете использовать изделие.
- Соблюдайте требования национальных или местных законов. В некоторых случаях они могут запрещать или ограничивать использование изделия.
- Ни в коем случае не используйте изделие, если вы устали или находитесь под воздействием спиртного, наркотических веществ или лекарственных препаратов. Они могут повлиять на ваше зрение, реакцию, координацию или оценку действительности.

Техника безопасности в отношении вибрации

Данное изделие предназначено только для периодического использования. Непрерывная или регулярная эксплуатация изделия может привести к "синдрому белых пальцев" или аналогичным заболеваниям, вызванным воздействием вибрации. При продолжительном или регулярном использовании изделия периодически проверяйте состояние своих ладоней и пальцев. При

обнаружении таких симптомов, как изменение цвета кожи, боль в ладонях или пальцах, покалывание или потеря чувствительности, немедленно прекратите работу и обратитесь за медицинской помощью.

Инструкции по безопасной эксплуатации воздуходувки

- Используйте данную воздуходувку только для выдувания или удаления с земли листьев и прочего мусора.
- Ни в коем случае не используйте изделие, если вы устали, больны или находитесь под воздействием спиртного, наркотических веществ или лекарственных препаратов.
- Не позволяйте посторонним людям или животным находиться на расстоянии менее 15 м (50 футов) от оператора.
- Изделие может с большой скоростью отбрасывать предметы, которые могут рикошетом ударить по оператору. Это может привести к травме глаз.
- Нельзя направлять насадку воздуходувки в сторону людей или животных.
- Убедитесь, что длинные волосы убраны выше уровня плеч.
- Останавливайте двигатель перед установкой или снятием принадлежностей или других компонентов.
- Запрещается использовать изделие без защитного кожуха.
- Не пользуйтесь изделием, если в рабочей зоне находятся другие люди. Выключайте изделие при входе другого человека в рабочую зону.
- Не используйте изделие в плохо вентилируемых местах. Недостаточная вентиляция может привести к травме или смерти в результате удушья или отравления угарным газом.
- Во время работы изделия глушитель сильно нагревается. Он также остается горячим после остановки изделия и при работе двигателя на холостом ходу. Соблюдайте осторожность при работе вблизи легковоспламеняющихся материалов и воспламеняемых испарений.
- Не прикасайтесь к области крышки всасывающего отверстия. Держите ювелирные изделия и свободно висящую одежду вдали от области крышки всасывающего отверстия.
- Всегда сохраняйте устойчивое положение ног и работайте с изделием только на безопасных и ровных поверхностях. Скользкие или неустойчивые поверхности, такие как лестницы, могут вызвать потерю равновесия или контроля над изделием.
- Не используйте изделие на высоте, например, на крыше.
- Фиксируйте устройство на время транспортировки.

- Используйте изделие только в рекомендуемое время суток. Соблюдайте местное законодательство. Как правило, рекомендуется время с 9 утра до 5 вечера, с понедельника по субботу.
- Выполняйте работу воздуходувкой с минимальным возможным открытием дроссельной заслонки.
- Убедитесь в отсутствии риска падения во время использования изделия. Запрещается наклоняться во время эксплуатации изделия.
- Перед эксплуатацией убедитесь, что изделие находится в хорошем состоянии, особенно проверьте глушитель, воздухозаборник и воздушный фильтр.
- Перед использованием изделия с помощью граблей или метлы отделите мусор от почвы.
- Если рабочая зона загрязнена, распылите ее шлангом.
- Используйте изделие в качестве альтернативы шлангу для экономии воды.
- Обеспечивайте безопасность выдувания мусора. Следите, чтобы в рабочей зоне не было детей, домашних животных, открытых окон или автомобилей.
- Не направляйте изделие на легко повреждаемые растения.
- Не направляйте воздушную струю на такие объекты, как стены, большие камни, автомобили и ограды.
- При работе с внутренней стороны углов ведите расчистку из угла и в сторону центра рабочей зоны. В противном случае мусор может попасть в лицо оператору и стать причиной травмы глаз.
- Используйте всю длину насадки, чтобы воздушный поток находился у поверхности земли.
- Посторонние лица должны надевать защитные очки.
- После использования изделия утилизируйте мусор в мусоросборные контейнеры.

Инструкции по безопасной эксплуатации пылесоса

- Не допускайте повреждения вентилятора. Запрещается собирать пылесосом большие твердые предметы, напр., куски дерева, консервные банки, обрывки резины или длинные куски стальной проволоки.
- Не допускайте, чтобы всасывающая трубка ударялась о землю.
- Перед снятием забившегося материала или удалением засора остановите двигатель и отсоедините колпачок свечи зажигания.

Средства индивидуальной защиты

- Всегда используйте соответствующее защитное снаряжение при эксплуатации изделия. Защитное

снаряжение не исключает риск травмирования. Оно снижает тяжесть травмы при несчастном случае.

- Всегда пользуйтесь одобренными средствами защиты глаз при использовании изделия.
- При эксплуатации изделия запрещается находиться босиком или носить открытую обувь. Всегда надевайте прочные нескользкие ботинки.
- Надевайте прочные длинные брюки.
- При необходимости используйте одобренные защитные перчатки.
- Надевайте шлем, если существует вероятность попадания объектов в голову.
- Всегда надевайте одобренные защитные наушники при использовании изделия. Длительное воздействие шума может привести к снижению слуха.
- При эксплуатации изделия в запыленной среде всегда используйте одобренную пылезащитную маску.
- Всегда имейте при себе аптечку для оказания первой медицинской помощи.

Защитные устройства на изделии

- Регулярно выполняйте техническое обслуживание изделия.
 - Повышается срок службы изделия.
 - Уменьшается риск несчастных случаев.

Ваш авторизованный дилер или сервисный центр должен регулярно проверять изделие и выполнять необходимую регулировку и ремонт.

- Запрещается эксплуатировать изделие, если защитное оборудование повреждено. При повреждении изделия обращайтесь в авторизованный сервисный центр.

Выключатель

Запустите двигатель. Убедитесь, что двигатель останавливается при установке выключателя в положение остановки.

Глушитель



ПРЕДУПРЕЖДЕНИЕ: Не прикасайтесь к глушителю, пока он не остыл. Во время работы двигателя глушитель сильно нагревается и остается очень горячим после его остановки. Прикосновение к глушителю может вызвать ожоги.

- Запрещается использовать двигатель с поврежденным глушителем. Поврежденный глушитель повышает уровень шума и риск пожара. Держите огнетушитель в пределах досягаемости.
- Периодически проверяйте надежность крепления глушителя к корпусу изделия.

- Не прикасайтесь к двигателю или глушителю во время работы двигателя. Не прикасайтесь к двигателю или глушителю в течение некоторого времени после выключения двигателя. Горячие поверхности могут стать причиной травм.
- Горячий глушитель может стать причиной пожара. Соблюдайте осторожность при использовании изделия вблизи легковоспламеняющихся жидкостей или газов.
- Не прикасайтесь к деталям глушителя, если он поврежден. На деталях могут находиться канцерогенные химические вещества.
- Некоторые модели воздуходувок оснащены искрогасительной сеткой. Проводите очистку и замену сетки через определенные промежутки времени. См. раздел "Техническое обслуживание" (*ТЕХНИЧЕСКОЕ ОБСЛУЖИВАНИЕ на стр. 241*).
- Перед заправкой топлива медленно откройте крышку топливного бака и осторожно сбросьте давление.
- Запрещается заливать топливо в двигатель в помещении. Недостаточная вентиляция может привести к травме или смерти в результате удушья или отравления угарным газом.
- Аккуратно затяните крышку топливного бака во избежание возгорания.
- Переместите изделие минимум на 3 м (10 футов) от места заправки топливом, прежде чем запустить его.
- Не наливайте в топливный бак слишком много топлива.
- Убедитесь, что при перемещении изделия или емкости для топлива невозможно возникновение утечки.
- Запрещает размещать изделие или емкость для топлива вблизи открытого огня, искр или горящих фитилей. Убедитесь, что в месте хранения отсутствует открытый огонь.
- Используйте только одобренные емкости для переноски и хранения топлива.
- Сливайте топливо из топливного бака перед размещением изделия на длительное хранение. Соблюдайте требования местного законодательства в отношении места утилизации топлива.
- Очистите изделие, прежде чем поместить его на длительное хранение.
- Прежде чем поместить изделие на хранение, снимите кабель свечи зажигания во избежание случайного запуска двигателя.

Правила безопасного обращения с топливом

- Запрещается запускать изделие, если на него попало топливо или моторное масло. Удалите постороннее топливо/масло и дайте изделию высохнуть. Удалите постороннее топливо с поверхности изделия.
- Если топливо попало на одежду, немедленно смените ее.
- Не допускайте попадания топлива на тело, это может причинить вред здоровью. При попадании топлива на тело смойте его водой с мылом.
- Запрещается запускать двигатель, если вы пролили масло или топливо на изделие или тело.
- Запрещается запускать изделие при наличии утечки из двигателя. Регулярно проверяйте двигатель на наличие утечек.
- Соблюдайте осторожность при обращении с топливом. Топливо является легковоспламеняющейся жидкостью со взрывоопасными парами и может привести к серьезным или смертельным травмам.
- Запрещается вдыхать пары топлива, т. к. это может причинить вред здоровью. Убедитесь в наличии достаточного потока воздуха.
- Запрещается курить вблизи топлива или двигателя.
- Запрещается ставить теплые предметы рядом с топливом или двигателем.
- Запрещается доливать топливо при работающем двигателе.
- Прежде чем заправить изделие, убедитесь, что двигатель полностью остыл.

Инструкции по технике безопасности во время технического обслуживания



ПРЕДУПРЕЖДЕНИЕ: Ненадлежащее техническое обслуживание может привести к серьезной поломке двигателя или тяжелой травме.

Владелец несет ответственность за выполнение всего необходимого технического обслуживания в соответствии с руководством по эксплуатации. Прежде чем выполнять техническое обслуживание, отсоедините свечу зажигания. Перед регулировкой карбюратора не отсоединяйте свечу зажигания.

СБОРКА



ПРЕДУПРЕЖДЕНИЕ: Перед сборкой изделия ознакомьтесь с разделом безопасности.

Установка верхней трубы воздуходувки

1. Совместите паз на верхней трубе воздуходувки (А) с выступом в выпускном отверстии воздуходувки (В). (Рис. 23)
2. До упора надвиньте верхнюю трубу воздуходувки на выпускное отверстие.
3. Поворачивайте верхнюю трубу воздуходувки до тех пор, пока отверстие в трубе не совместится с резьбой в выпускном отверстии. (Рис. 24)
4. Установите винт (С). (Рис. 25)
5. Заверните винт по часовой стрелке отверткой, чтобы зафиксировать трубу.

Установка нижней трубы воздуходувки

1. Совместите пазы на нижней трубе воздуходувки (А) с выступами на верхней трубе воздуходувки (В). (Рис. 26)
2. До упора надвиньте нижнюю трубу воздуходувки на верхнюю трубу.
3. До упора поверните нижнюю трубу воздуходувки, пока выступ не войдет полностью в паз. (Рис. 27)

Установка трубы воздуходувки VX™

1. Совместите пазы на трубе воздуходувки VX™ (А) с выступами на верхней трубе воздуходувки (В). (Рис. 28)
2. До упора надвиньте трубу воздуходувки VX™ на верхнюю трубу.
3. До упора поверните трубу воздуходувки VX™, пока выступ не войдет полностью в паз. (Рис. 29)

Установка верхней трубы пылесоса

1. Вставьте конец отвертки в защелку всасывающего отверстия. (Рис. 30)

2. Разблокируйте защелку, осторожно надавив на рукоятку отвертки в сторону передней части изделия.
3. Пока верхняя труба пылесоса не установлена, держите крышку всасывающего отверстия открытой. (Рис. 31)
4. Совместите ребро на внутренней поверхности всасывающего отверстия с пазами на верхней трубе пылесоса.

Примечание: Совместите индикаторы на всасывающем отверстии и верхней трубе пылесоса.

5. До упора вставьте верхнюю трубу пылесоса во всасывающее отверстие.
6. Полностью проверните верхнюю трубу пылесоса по часовой стрелке до щелчка. (Рис. 32)

Установка нижней трубы пылесоса

1. Совместите паз на нижней трубе пылесоса с выступом на верхней трубе пылесоса.
2. До упора надвиньте нижнюю трубу пылесоса на верхнюю трубу, пока выступ не войдет полностью в паз. (Рис. 33)
3. Установите винт.
4. Заверните винт по часовой стрелке отверткой, чтобы зафиксировать трубу. (Рис. 34)

Установка трубы сборника

1. Совместите паз на трубе сборника (А) с выступом в выпускном отверстии воздуходувки (В). (Рис. 35)
2. До упора надвиньте трубу сборника на выпускное отверстие.
3. Поворачивайте трубу сборника до тех пор, пока отверстие в трубе не совместится с резьбой в выпускном отверстии. (Рис. 36)
4. Установите винт (С).
5. Заверните винт по часовой стрелке отверткой, чтобы зафиксировать трубу. (Рис. 37)

ЭКСПЛУАТАЦИЯ



ПРЕДУПРЕЖДЕНИЕ: Перед началом эксплуатации изделия внимательно изучите раздел техники безопасности.

Топливо

Использование топлива



ВНИМАНИЕ: Изделие оборудовано двухтактным двигателем. Используйте смесь бензина и масла для двухтактных двигателей. Убедись, что смесь содержит соответствующее количество масла. Неправильное соотношение бензина и масла может привести к повреждению двигателя.

Бензин



ВНИМАНИЕ: Не используйте бензин с октановым числом меньше 90 RON (87 AKI). Это может привести к повреждению изделия.



ВНИМАНИЕ: Запрещается использовать бензин с концентрацией этанола более 10% (E10). Это может привести к повреждению изделия.

- Всегда используйте свежий неэтилированный бензин с минимальным октановым числом 90 RON (87 AKI) и концентрацией этанола менее 10% (E10).
- Используйте бензин с более высоким октановым числом, если изделие часто используется с постоянно высокой частотой оборотов двигателя.

Масло для двухтактных двигателей

- Используйте только высококачественное масло для двухтактных двигателей. Используйте только моторное масло для двигателей с воздушным охлаждением.
- Не используйте другие виды масла.
- Соотношение компонентов смеси 50:1 (2%)

Бензин	Масло
1 ам. галлон	77 мл (2,6 унции)
1 британский галл.	95 мл (3,2 унции)
5 л	100 мл (3,4 унции)

Приготовление топливной смеси

Примечание: Для приготовления топливной смеси всегда используйте чистую емкость для топлива.

Примечание: Не готовьте топливную смесь в количестве из расчета более чем на 30 дней.

1. Налейте половину от всего количества бензина.
2. Добавьте все количество масла.

3. Встряхните топливную смесь, чтобы смешать компоненты.
4. Добавьте оставшийся бензин.
5. Встряхните топливную смесь, чтобы смешать компоненты.
6. Заполните топливный бак.

Заправка топливом

- Всегда используйте емкость для топлива с клапаном от переполнения.
- Если на емкость попало топливо, удалите его и дайте емкости высохнуть.
- Убедитесь, что область вокруг крышки топливного бака чистая.
- Встряхните емкость для топлива, прежде чем налить топливную смесь в топливный бак.

Запуск и остановка

Перед запуском двигателя

- Проверьте изделие на наличие всех, поврежденных, ослабленных или изношенных деталей.
- Проверьте сборник. Убедитесь, что сборник не поврежден, а молния застегнута.
- Проверьте затяжку гаек, винтов и болтов.
- Проверьте воздушный фильтр.
- Проверьте исправность работы рычага управления дросселем.
- Проверьте исправность работы выключателя двигателя.
- Проверьте изделие на наличие утечек топлива.

Запуск холодного двигателя



ПРЕДУПРЕЖДЕНИЕ: Не наматывайте шнур стартера вокруг руки.



ВНИМАНИЕ: Не удерживайте устройство ногой.



ВНИМАНИЕ: Не натягивайте шнур стартера до его конечного положения. Не выпускайте из руки ручку шнура стартера при вытянутом шнуре. Это может привести к повреждению изделия.

Примечание: Если двигатель остановился, переведите воздушную заслонку в закрытое положение и снова выполните шаги запуска.

1. Заполните топливный бак чистой топливной смесью.

2. Прижмите корпус изделия к земле левой рукой. Конец воздуходувки необходимо направлять в сторону от людей, животных, стекол и твердых предметов.
3. Медленно нажмите 10 раз на грушу нагнетателя.
4. Переведите рычаг управления заслонкой в положение ЗАСЛОНКА ПОЛНОСТЬЮ ЗАКРЫТА (воздушная заслонка полностью закрыта).
5. Сожмите дроссельный регулятор и удерживайте его в этом положении.
6. Несколько раз (но не более 3 раз) резко потяните ручку шнура стартера, пока двигатель не попытается запуститься.

Примечание: При температуре ниже 4°C (40°F) продолжайте тянуть ручку шнура стартера, пока двигатель не попытается запуститься.

7. Переведите рычаг управления заслонкой в положение ЗАСЛОНКА ЗАКРЫТА НАПОЛОВИНУ (воздушная заслонка закрыта наполовину).
8. Резко потяните ручку шнура стартера, пока двигатель не запустится.
9. Дайте двигателю поработать 10 секунд.
10. Переведите рычаг управления заслонкой в положение ЗАСЛОНКА ПОЛНОСТЬЮ ОТКРЫТА (воздушная заслонка полностью открыта).

Запуск прогретого двигателя

1. Медленно нажмите 10 раз на грушу нагнетателя.
2. Переведите рычаг управления заслонкой в положение ЗАСЛОНКА ЗАКРЫТА НАПОЛОВИНУ (воздушная заслонка закрыта наполовину).
3. Резко потяните ручку шнура стартера, пока двигатель не запустится.
4. Переведите рычаг управления заслонкой в положение ЗАСЛОНКА ПОЛНОСТЬЮ ОТКРЫТА (воздушная заслонка полностью открыта).

Запуск двигателя при наличии газовой пробки

Газовая пробка образуется, когда топливо в топливном трубопроводе или карбюраторе испаряется под воздействием высокой температуры.

Если изделие не запускается повторно при температуре окружающей среды более 35°C (95°F) после отключения на 15–45 минут, возможно, в нем образовалась газовая пробка.

1. Несколько раз нажмите кнопку нагнетателя в течение 10–15 секунд.
2. Переведите рычаг управления заслонкой в положение ЗАСЛОНКА ЗАКРЫТА НАПОЛОВИНУ (воздушная заслонка закрыта наполовину).
3. Резко потяните ручку шнура стартера, пока двигатель не запустится.

4. Дайте двигателю прогреться в течение 3 минут на холостом ходу.
5. Переведите рычаг управления заслонкой в положение ЗАСЛОНКА ПОЛНОСТЬЮ ОТКРЫТА (воздушная заслонка полностью открыта).

Остановка двигателя

- Нажмите и отпустите переключатель двигателя STOP (ВЫКЛ) Переключатель автоматически вернется в положение ON (ВКЛ) Перед повторной попыткой запуска изделия подождите 7 секунд, чтобы переключатель успел сброситься.

Регулировка трубы воздуходувки VX™

1. Совместите соответствующий паз (А или В) на внешней трубе воздуходувки VX™ с выступом (С) на внутренней трубе. (Рис. 38)

Примечание: Когда трубы собраны, выступ не виден. Нащупайте положение выступа при перемещении внешней трубы.

Примечание: Установите выступ в положение "А" для увеличения диаметра выпускного отверстия воздуходувки. Большой диаметр выпускного отверстия воздуходувки используется для перемещения сухих листьев и прочего мусора с большей площадью. Установите выступ в положение "В" для уменьшения диаметра выпускного отверстия воздуходувки. Маленький диаметр выпускного отверстия воздуходувки обеспечивает более высокую мощность воздушного потока для очистки трещин и углов, а также перемещения более тяжелого материала, например, влажных листьев.

2. Поверните внешнюю трубу, как показано на рисунке, чтобы выступ вышел из паза. (Рис. 39)
3. Перемещайте внешнюю трубу вдоль внутренней трубы, чтобы изменить положение. (Рис. 40)
4. Поворачивайте внешнюю трубу, как показано на рисунке, пока выступ полностью не войдет полностью в соответствующий паз. (Рис. 41)

Рабочее положение

- Воздуходувка (Рис. 42)
- Пылесос (Рис. 43)

Всасывание

Прежде чем приступать к работе с воздуходувкой в режиме пылесоса, установите необходимое защитное оборудование.



ПРЕДУПРЕЖДЕНИЕ: Перед использованием изделия убедитесь, что сборник не поврежден, а молния

застегнута. Не используйте поврежденный сборник. Это предотвратит травму, вызванную разлетающимися предметами. При управлении изделием левой рукой увеличивается риск возникновения нештатных ситуаций. Не прикасайтесь телом к области выпускного отверстия.



ПРЕДУПРЕЖДЕНИЕ: Не запускайте воздуходувку, если крышка всасывающего отверстия открыта или повреждена (за исключением того случая, когда установлена всасывающая трубка).

- Во время работы воздуходувки сборник должен придерживаться наплечным ремнем. Ремень необходимо надевать поверх плеча.
- Запустите воздуходувку. Соблюдайте инструкции, приведенные в разделах о запуске и остановке изделия *Запуск и остановка на стр. 239*.

Прочитайте инструкции по технике безопасности *МЕРЫ БЕЗОПАСНОСТИ на стр. 234*.

Опорожнение сборника



ПРЕДУПРЕЖДЕНИЕ: Всегда проверяйте сборник. Перед использованием изделия убедитесь, что сборник не поврежден, а молния застегнута. Не используйте поврежденный сборник. Существует опасность травмы из-за риска разлета обломков. Будьте осторожны, если вы держите воздуходувку левой рукой. Не прикасайтесь к области выпускного отверстия.

1. Остановите изделие.
2. Расстегните молнию, находящуюся сбоку.
3. Опорожните сборник.
4. Застегните молнию.

ТЕХНИЧЕСКОЕ ОБСЛУЖИВАНИЕ



ПРЕДУПРЕЖДЕНИЕ: Перед очисткой, ремонтом или техническим обслуживанием изделия внимательно изучите раздел техники безопасности.

График технического обслуживания

Соблюдайте график техобслуживания. Интервалы рассчитаны на основе ежедневной эксплуатации изделия. Если изделие не используется каждый день, интервалы будут другими. Выполняйте самостоятельно только те работы по техобслуживанию, которые описаны в данном руководстве. Другие работы по техобслуживанию, не описанные в этом руководстве, должны выполняться авторизованным сервисным центром.

Ежедневное обслуживание

- Очистите внешние поверхности.
- Проверьте исправность регулятора скорости и рычага управления дросселем. Замените поврежденные детали.
- Проверьте выключатель двигателя. В случае необходимости замените его.
- Проверьте скорость холостого хода.
- Очистите воздушный фильтр. В случае необходимости замените его.
- Убедитесь в том, что крышку всасывающего отверстия можно заблокировать в закрытом положении. Убедитесь, что крыльчатка не загрязнена.
- Затяните все гайки и винты.
- Убедитесь в отсутствии трещин на корпусах.

- Убедитесь, что сборник не поврежден, а молния исправна. При необходимости замените сборник.

Еженедельное техобслуживание

- Проверьте состояние стартера, шнура стартера и натяжной пружины. Замените все поврежденные детали.
- Проверьте состояние воздухозаборника на стартере. В случае засорения воздухозаборника удалите весь мусор.
- Очистите наружную поверхность свечи зажигания. Снимите ее и проверьте зазор между электродами. Отрегулируйте его до 6 мм (0,024 дюйма) или замените свечу зажигания.
- Прочистите лопасти на крыльчатке.
- Прочистите искрогасительную сетку и при необходимости замените ее (это не относится к глушителям с катализатором).
- Очистите область карбюратора.
- Очистите воздушный фильтр.

Ежемесячное техобслуживание

- Проверьте ручку стартера и шнур стартера.
- Прочистите топливный бак.
- Прочистите карбюратор и область вокруг него.
- Прочистите лопасти на крыльчатке.
- Проверьте топливopроводы на наличие трещин или других повреждений. Замените их в случае необходимости.
- Замените топливный фильтр в топливном баке.
- Осмотрите все провода и соединения.
- Замените свечу зажигания.
- Замените воздушный фильтр.

Ежегодное техобслуживание

- Проверьте свечу зажигания.
- Очистите внешнюю поверхность карбюратора и прилегающих к нему участков.
- Очистите систему охлаждения.
- Проверьте искрогасительную сетку.
- Проверьте топливный фильтр.
- Проверьте топливный шланг на наличие повреждений.
- Осмотрите все провода и соединения.

50-часовое техобслуживание

- Обратитесь в авторизованный сервисный центр для ремонта или замены глушителя.

Регулировка скорости холостого хода

Перед регулировкой скорости холостого хода убедитесь, что воздушный фильтр чистый и установлена крышка воздушного фильтра.

Отрегулируйте частоту вращения холостого хода с помощью винта регулировки холостого хода. (Рис. 44)

Скорость холостого хода правильная, если двигатель работает ровно во всех положениях.

1. Для увеличения оборотов поверните винт регулировки холостого хода по часовой стрелке.
2. Для уменьшения оборотов поверните винт регулировки холостого хода против часовой стрелки.

Техобслуживание искрогасительной сетки

Для очистки искрогасительной сетки используйте металлическую щетку.

Очистка системы охлаждения

Для очистки компонентов системы охлаждения используйте щетку.

Проверка свечи зажигания



ВНИМАНИЕ: Всегда используйте только указанный тип свечи. Использование неправильного типа свечи зажигания может привести к повреждению изделия.

- Проверьте свечу зажигания, если двигатель не набирает мощность, плохо заводится или плохо работает на холостых оборотах.
- Чтобы уменьшить риск появления нежелательного материала на электродах свечи зажигания, соблюдайте следующие инструкции:
 - a) Убедитесь в правильности регулировки частоты оборотов холостого хода.
 - b) Убедитесь, что используется надлежащая топливная смесь.
 - c) Убедитесь, что воздушный фильтр чист.
- Если свеча зажигания загрязнена, очистите ее и проверьте зазор между электродами. См. раздел *ТЕХНИЧЕСКИЕ ДАННЫЕ* на стр. 242. (Рис. 45)
- При необходимости замените свечу зажигания.

Техобслуживание воздушного фильтра

Очистка воздушного фильтра

1. Снимите крышку воздушного фильтра и воздушный фильтр.
2. Промойте воздушный фильтр теплой мыльной водой. Перед установкой фильтра на место убедитесь, что он полностью высох.
3. Если воздушный фильтр слишком грязный, чтобы полностью его очистить, замените его. Всегда заменяйте поврежденный воздушный фильтр.
4. Если изделие оснащено поролоновым воздушным фильтром, нанесите масло для воздушного фильтра. Масло для воздушного фильтра наносится только на поролоновый фильтр. Нельзя наносить масло на фетровый фильтр.

ТЕХНИЧЕСКИЕ ДАННЫЕ

	Единиц а измере ния	GBV 322 (GHB28VPR)	GBV 322VX (GHB28VPR)
Спецификации двигателя			

	Единица измерения	GBV 322 (GHB28VPR)	GBV 322VX (GHB28VPR)
Объем цилиндра	см ³	26	26
Зазор между электродами	мм	0,6	0,6
Объем топливного бака	см ³	500	500
Холостой ход	мин ⁻¹	2800 - 3200	2800 - 3200
Максимальная частота вращения	мин ⁻¹	8000	8000
Мощность на выходе	кВт	0,8	0,8
Свеча зажигания		Champion RCJ-6Y	Champion RCJ-6Y
Максимальная скорость в режиме воздуходувки	мин ⁻¹	8600	8600
Максимальная скорость в режиме пылесоса	мин ⁻¹	--	7500
Период устойчивости характеристик выбросов	ч	50	50
Уровень шума и вибрации			
Эквивалент уровня вибрации на ручках с трубами воздуходувки и насадкой (оригинальные) - см. примечание 1	м/с ²	7,5	7,5
Эквивалент уровня вибрации на ручках со всасывающими трубками (оригинальные), левая/правая - см. примечание 1	м/с ²	7,4	7,4
Эквивалентный уровень давления звука на уровне уха пользователя, измеренный согласно ISO 22868, с трубами воздуходувки и насадкой (оригинальные) - см. примечание 3	дБ(А)	95,6	95,6
Уровень мощности шума, гарантированный (L _{WA}) — см. примечание 2	дБ(А)	112	112
Уровень мощности шума, измеренный — см. примечание 2	дБ(А)	109	109
Размеры изделия			
Вес	кг	4,4	4,5
Примечание 1: Указанные данные о среднем уровне вибраций имеют типичный статистический разброс (стандартное отклонение) 1,5 м/с ² .			
Примечание 2: Излучение шума в окружающую среду измеряется как шумовой эффект (L _{WA}) согласно Директиве ЕС 2000/14/ЕС. Указанный уровень звуковой мощности для агрегата измерен при работе с оригинальным оборудованием, создающим самый высокий уровень шума. Разница между гарантированной и измеренной мощностью звука заключается в том, что гарантированная мощность звука включает результаты измерений как диапазон и их отклонение для устройств одной и той же модели согласно директиве 2000/14/ЕС.			
Примечание 3: Указанные данные об эквивалентном уровне давления звука для устройства имеют типичный статистический разброс (стандартное отклонение) 3 дБ(А).			

Вентилятор	Единица измерения	GBV 322	GBV 322VX
Тип		Радиальный вентилятор	Радиальный вентилятор
Макс. скорость воздушного потока, стандартная насадка	км/ч	322	-
Макс. скорость воздушного потока, трубка воздуходувки VX™ *	км/ч	-	370
Расход воздуха в режиме воздуходувки	куб. фут/мин	370	450
Расход воздуха в режиме пылесоса	куб. фут/мин	490	490
Коэффициент мульчирования		10:1	16:1
*дополнительная принадлежность			

СОДЕРЖАНИЕ ДЕКЛАРАЦИИ О СООТВЕТСТВИИ ЕС

Компания Husqvarna AB, SE 561 82 Huskvarna, ШВЕЦИЯ, под свою исключительную ответственность заявляет, что представленное изделие:

Описание	Бензиновая воздуходувка / пылесос
Марка	McCulloch
Платформа / Тип / Модель	Платформа GHB28VPR, представленная моделью GBV 322, GBV 322VX
Партия	Серийный номер с 2018 года и далее

полностью соответствует следующим директивам и нормам ЕС:

Директива/Норматив	Описание
2006/42/ЕС	"о механическом оборудовании"
2014/30/EU	"об электромагнитной совместимости"
2000/14/ЕС	"об излучении шума от оборудования, размещенного вне помещения"

Применяются следующие согласованные стандарты и/или технические спецификации: EN ISO 12100, EN 15503, CISPR 12, ISO 14982

В соответствии с директивой 2000/14/ЕС, приложение V, заявленные значения звукового давления указаны в разделе технических данных настоящего руководства и в подписанной декларации соответствия ЕС.

Организацией TÜV Rheinland N.A. был проведен добровольный контроль от имени Husqvarna AB, в результате которого был выдан Сертификат соответствия директиве ЕС 2006/42/ЕС о механическом оборудовании.

Сертификат, предоставленный в подписанной декларации соответствия ЕС, действителен для всех предприятий и стран производителя, как указано на изделии.

Поставляемая бензиновая воздуходувка / пылесос соответствует эталону, прошедшему контроль.

Obsah

ÚVOD.....	245	ÚDRŽBA.....	252
BEZPEČNOSŤ.....	246	TECHNICKÉ ÚDAJE.....	253
MONTÁŽ.....	249	OBSAH VYHLÁSENIA O ZHODE ES.....	254
PREVÁDZKA.....	249		

ÚVOD

Návod na obsluhu

Pôvodný jazyk tohto návodu na obsluhu je angličtina. Návody na obsluhu v iných jazykoch sú jeho preložené verzie z angličtiny.

Prehľad

(Obr. 1)

1. Ramenný popruh
2. Páčka plynu
3. Vypínač
4. Páčka na udržiavanie nastavenia plynu
5. Kryt ventilátora
6. Uzáver palivovej nádrže
7. Vzduchový filter
8. Ovládanie sýtiča
9. Nastrekovací balónik
10. Kryt vstupného bloku
11. Rukoväť vysávača
12. Mulčovací nôž (GBV 322VX)
13. Rotor ventilátora
14. Dolná fúkacia trubica (GBV 322)
15. VX™ fúkacia trubica (GBV 322VX)
16. Horná fúkacia trubica
17. Skrutka
18. Tlmič výfuku
19. Uzemňovací kábel
20. Držadlo štartovacieho lanka
21. Štartér
22. Rukoväť
23. Kombinovaný nástroj
24. Trubica zberného vaku
25. Zberný vak
26. Vysávacía trubica s dvoma prierezmi
27. Skrutka
28. Návod na obsluhu

Symbyly na výrobku

- (Obr. 2) Výstraha
- (Obr. 3) Prečítajte si tento návod
- (Obr. 4) Používajte schválenú ochranu hlavy

- (Obr. 5) Používajte schválené chrániče sluchu
- Používajte schválené chrániče očí (ANSI Z87.1 alebo ekvivalentný model)
- (Obr. 6)
- Používajte schválenú ochrannú obuv a rukavice
- (Obr. 7)
- Majte oblečený odev s dlhými rukávami a nohavice
- (Obr. 8)
- Počas používania výrobku nenoste žiadne šperky.
- (Obr. 9)
- Na uvoľnenie západky používajte skrutkovač.
- (Obr. 10)
- Nevysávajte kamene, štrk, kúsky kovu, rozbité sklo, kúsky gummy alebo iné materiály, ktoré by mohli poškodiť ventilátor.
- (Obr. 11)
- Počas používania sa môžu od výrobku odraziť predmety a spôsobiť poranenie očí
- (Obr. 12)
- Nepribližujte sa k ventilátoru, keď je v prevádzke
- (Obr. 13)
- Plný sýtič
- (Obr. 14)
- Polovičný sýtič
- (Obr. 15)
- Bez sýtiča
- (Obr. 16)
- Ak máte dlhé vlasy, uistite sa, že ich máte zopnuté nahor.
- (Obr. 17)
- Bezpečná vzdialenosť
- (Obr. 18)
- Zaručená úroveň hlučnosti
- (Obr. 19)
- Tento výrobok je v súlade s príslušnými smernicami EU.
- (Obr. 20)
- Tento výrobok je v súlade s príslušnými smernicami EAC.
- (Obr. 21)

Tento výrobok je v súlade s príslušnými (Obr. 22) ukrajinskými smernicami.

Poznámka: Ostatné symboly/emblémy na výrobku odkazujú na požiadavky certifikácie pre ďalšie komerčné oblasti.

EU V



VÝSTRAHA: Nepovolená manipulácia s motorom ruší platnosť typového schválenia tohto výrobku pre EÚ.

BEZPEČNOSŤ

Bezpečnostné definície

Nižšie uvedené definície označujú úroveň závažnosti pre každé signálne slovo.



VÝSTRAHA: Poranenie osôb.



VAROVANIE: Poškodenie výrobku.

Poznámka: Táto informácia napomáha k jednoduchšiemu používaniu výrobku.

Všeobecné bezpečnostné pokyny

- Výrobok používajte správne. Nesprávne používanie môže mať za následok poranenie alebo smrť. Výrobok používajte len na účely uvedené v tomto návode. Výrobok nepoužívajte na iné účely.
- Dodržiavajte pokyny uvedené v tomto návode. Dodržiavajte bezpečnostné symboly a bezpečnostné pokyny. Ak používateľ nebude dodržiavať uvedené pokyny a symboly, môže dôjsť k poraneniu, poškodeniu alebo smrti.
- Tento návod nezahadzujte. Tieto pokyny poskytujú všetky potrebné kroky na montáž a prevádzku výrobku a pomôžu vám udržať výrobok v dobrom stave. Tieto pokyny poskytujú všetky potrebné kroky na správnu inštaláciu doplnkov a príslušenstva. Používajte len schválené doplnky a príslušenstvo.
- Ak sa výrobok poškodí, nepoužívajte ho. Dodržiavajte plán údržby. Vykonávajte len údržbu, ku ktorej nájdete pokyny v tomto návode. Všetky ostatné práce týkajúce sa údržby musí vykonať schválené servisné stredisko.
- Tento návod na obsluhu nezahŕňa všetky situácie, s ktorými sa môžete počas používania tohto výrobku stretnúť. Pri jeho používaní zachovávajte opatrnosť a riadte sa zdravým úsudkom. Výrobok nepoužívajte

Zodpovednosť za výrobok

V súlade s právnymi predpismi upravujúcimi zodpovednosť za výrobok nenesieme zodpovednosť za škody spôsobené našim výrobkom v dôsledku:

- nesprávne vykonanej opravy výrobku,
- opravy výrobku, pri ktorej neboli použité diely od výrobcu alebo diely schválené výrobcom,
- používania príslušenstva od iného výrobcu alebo príslušenstva, ktoré nie je schválené výrobcom,
- opravy výrobku, ktorá nebola vykonaná v schválenom servisnom stredisku alebo schválenými kompetentnými osobami,

ani na ňom nevykonávajte žiadnu údržbu, ak s istotou neviete, o aký problém ide. Kontaktujte produktového odborníka, predajcu, servisného zástupcu alebo schválené servisné stredisko a požiadajte o informácie.

- Pred montážou výrobku, jeho uskladnením alebo vykonávaním údržby odpojte kábel zapalovacej sviečky.
- Výrobok nepoužívajte, ak sa zmenili jeho pôvodné technické špecifikácie. Nevymieňajte diely výrobku bez schválenia výrobcu. Používajte iba príslušenstvo schválené výrobcom. Nesprávna údržba môže mať za následok poranenie alebo smrť.
- Nevdychujte výpary z motora. Dlhodobé vdychovanie výfukových plynov predstavuje zdravotné riziko.
- Neštartujte výrobok vo vnútri ani v blízkosti horľavého materiálu. Výfukové plyny sú horúce a môžu obsahovať iskry, ktoré môžu spôsobiť požiar. Nedostatočné prúdenie vzduchu môže spôsobiť poranenie alebo smrť v dôsledku uduseného alebo otravy oxidom uhoľnatým.
- Počas používania tohto výrobku vytvára motor elektromagnetické pole. Elektromagnetické pole môže poškodiť implantované lekárske prístroje. Pred používaním tohto výrobku sa poraďte so svojim lekárom a výrobcom implantovaného lekárskeho prístroja.
- Nedovoľte, aby výrobok používali deti. Nedovoľte, aby výrobok používali osoby, ktoré nepoznajú potrebné pokyny.
- Osoby so zníženými fyzickými alebo duševnými schopnosťami musia byť počas používania výrobku vždy pod dozorom. Vyžaduje sa neustála prítomnosť zodpovednej dospeléj osoby.
- Výrobok bezpečne uzamknite na mieste, ku ktorému nemajú prístup deti a nepovolené osoby.
- Počas používania sa môžu od výrobku odraziť predmety a spôsobiť poranenia. Dodržiavajte bezpečnostné pokyny, aby ste znížili riziko poranenia alebo smrti.
- Nevzdávajte sa od výrobku, keď je zapnutý motor.

- V prípade nehody zodpovedá za následky používateľ.
- Pred používaním výrobku sa uistite, že nie sú poškodené žiadne diely.
- Pred používaním výrobku sa uistite, že sa nachádzate minimálne 15 m od iných osôb alebo zvierat. Uistite sa, že osoby v okolí vedia o tom, že budete výrobok používať.
- Dodržiavajte národné alebo miestne právne predpisy. V určitých podmienkach môžu zakazovať alebo obmedzovať prevádzku výrobku.
- Výrobok nepoužívajte, ak ste unavení alebo pod vplyvom alkoholu, drog alebo liekov. Môže to ovplyvniť váš zrak, pozornosť, koordináciu a úsudok.
- Vždy kráčajte isto a výrobok používajte len na bezpečných a rovných povrchoch. Na klzkých alebo nestabilných povrchoch, ako sú rebriky, môžete stratiť rovnováhu alebo kontrolu.
- Výrobok nepoužívajte vo výškach, napríklad na streche.
- Počas prepravy výrobok zaistite.
- Výrobok používajte len počas odporúčaných hodín. Dodržiavajte miestne nariadenia. Zvyčajne sa odporúča doba medzi 9.00 a 17.00, od pondelka do soboty.
- Výrobok používajte pri najnižšom možnom výkone potrebnom na vykonanie úlohy.

Ochrana proti vibráciám

Tento výrobok je určený len na príležitostné používanie. Nepretržitá alebo pravidelná prevádzka výrobku môže viesť k syndrómu „bielych prstov“ alebo k podobným zdravotným problémom vyplývajúcim z vibrácií. Ak výrobok používate nepretržite alebo pravidelne, dbajte na starostlivosť o stav vašich rúk a prstov. Ak budú vaše ruky alebo prsty vykazovať známky straty sfarbenia, začnú vás bolieť, chvieť sa alebo vám znečítivejú, prestaňte pracovať a okamžite kontaktujte svojho lekára.

Bezpečnostné pokyny na prevádzku fúkača

- Výrobok používajte len na fúkanie alebo odstraňovanie listov a iných nečistôt na zemi.
- Nikdy nepoužívajte výrobok, ak ste unavení, chorí alebo ste pod vplyvom alkoholu, drog alebo liekov.
- Nedovoľte, aby okolostojaci alebo zvieratá boli k obsluhujúcemu pracovníkovi bližšie ako 15 m.
- Výrobok môže odhadzovať predmety pri vysokej rýchlosti, ktoré sa môžu odraziť a zasiahnuť obsluhujúceho pracovníka. Môže tak dôjsť k poškodeniu očí.
- Dýzou fúkača nesmerujte na ľudí ani zvieratá.
- Ak máte dlhé vlasy, uistite sa, že ich máte zopnuté nahor.
- Pred montážou alebo demontážou príslušenstva alebo iných dielov vždy zastavte motor.
- Výrobok nepoužívajte bez chrániča.
- Výrobok nepoužívajte, ak sa v pracovnej zóne nachádzajú iné osoby. Ak sa do pracovnej zóny dostane osoba, výrobok vypnite.
- Výrobok nepoužívajte v priestoroch s nedostatočným prúdením vzduchu. Nedostatočné prúdenie vzduchu môže spôsobiť poranenie alebo smrť v dôsledku udusenía alebo otravy oxidom uhľovým.
- Tlmič výfuku je veľmi horúci, keď je výrobok v prevádzke, hneď po zastavení a keď ide na voľnoběžné otáčky. Blízko horľavých materiálov a horľavých výparov dbajte na opatrnosť.
- Nedotýkajte sa nasávacej oblasti. Šperky a voľné oblečenie nepribližujte k nasávacej oblasti.

- Vždy kráčajte isto a výrobok používajte len na bezpečných a rovných povrchoch. Na klzkých alebo nestabilných povrchoch, ako sú rebriky, môžete stratiť rovnováhu alebo kontrolu.
- Výrobok nepoužívajte vo výškach, napríklad na streche.
- Počas prepravy výrobok zaistite.
- Výrobok používajte len počas odporúčaných hodín. Dodržiavajte miestne nariadenia. Zvyčajne sa odporúča doba medzi 9.00 a 17.00, od pondelka do soboty.
- Výrobok používajte pri najnižšom možnom výkone potrebnom na vykonanie úlohy.
- Uistite sa, že počas používania výrobku nemôžete spadnúť. Počas obsluhy výrobku sa nenakláňajte.
- Pred použitím sa uistite, že výrobok je v dobrom stave, zvlášť tlmič výfuku, nasávanie vzduchu a vzduchový filter.
- Pred použitím výrobku použite na zhrabanie predmetov hrable alebo metlu.
- Ak je pracovná oblasť špinavá, ostriekajte ju hadicou.
- Šetríte vodou a výrobok používajte ako alternatívu hadice s vodou.
- Nečistoty vyfukujte bezpečne. Dávajte pozor na deti, zvieratá, otvorené okná a vozidlá.
- Výrobok nesmerujte na rastliny, ktoré sa ľahko poškodia.
- Vzduch nefúkajte smerom k objektom, ako sú steny, veľké skaly, vozidlá a ploty.
- Ak pracujete vo vnútorných rohoch, fúkajte smerom z rohu a smerom do stredu pracovnej oblasti. V opačnom prípade vám môžu nečistoty udrieť do tváre a spôsobiť zranenie očí.
- Používajte plné predĺženie dýzy, aby bol prúd vzduchu blízko pri zemi.
- Je nutné, aby okolostojaci mali nasadené chrániče očí.
- Po použití výrobku nečistoty vyhodte do zberných nádob na odpad.

Bezpečnostné pokyny na prevádzku vysávača

- Zabráňte poškodeniu ventilátora. Nevysávajte veľké, tuhé predmety, ako je drevo, plechovky, kusy gummy alebo dlhé kusy špagátu.
- Zabráňte kontaktu vysávacej trubice so zemou.
- Pred odstránením zablokovaného alebo zaseknutého materiálu zastavte motor a odpojte kryt zapalovacej sviečky.

Osobné ochranné prostriedky

- Počas používania výrobku vždy používajte správne osobné ochranné prostriedky. Osobné ochranné prostriedky neznamenajú, že neexistuje nebezpečenstvo poranenia. V prípade nehody môžu osobné ochranné prostriedky znížiť závažnosť poranenia.

- Počas používania výrobku vždy používajte schválené chrániče očí.
- Výrobok neobsluhujte s bosými nohami ani v otvorených topánkach. Vždy noste odolné protišmykové topánky.
- Noste dlhé odolné nohavice.
- V prípade potreby používajte schválené ochranné rukavice.
- Ak existuje riziko poranenia hlavy v dôsledku pádu predmetov, používajte prilbu.
- Počas obsluhy výrobku vždy používate schválenú ochranu uší. Dlhodobé pôsobenie hluku môže mať za následok stratu sluchu.
- Pri používaní výrobku v prašnom prostredí vždy používajte schválenú masku proti prachu.
- Uistite sa, že máte v blízkosti k dispozícii lekárničku.

Ochranné zariadenia na výrobku

- Uistite sa, že pravidelne vykonávate údržbu výrobku.
 - Predĺžite tak životnosť výrobku.
 - Znížite tak riziko výskytu nehôd.

Výrobok nechajte pravidelne kontrolovať u schváleného predajcu alebo v schválenom servisnom stredisku kvôli potrebným nastaveniam alebo opravám.

- Výrobok nepoužívajte, ak je poškodené ochranné vybavenie. Ak sa výrobok poškodí, kontaktujte schválené servisné stredisko.

Vypínač

Naštartujte motor. Uistite sa, že po prepnutí vypínača do polohy zastavenia sa motor zastaví.

Tlmič výfuku



VÝSTRAHA: Nedotýkajte sa tlmiča výfuku, kým je horúci. Tlmič výfuku je veľmi horúci, keď motor beží a keď sa zastaví. Ak sa dotknete tlmiča výfuku, môžu vzniknúť popáleniny.

- Nepoužívajte motor, ak je tlmič výfuku poškodený. Poškodený tlmič výfuku zvyšuje hladinu hluku a nebezpečenstvo požiaru. Majte poruke hasiaci prístroj.
- Pravidelne kontrolujte, že je tlmič výfuku pripevnený k výrobku.
- Nedotýkajte sa motora ani tlmiča výfuku, keď je motor v prevádzke. Nedotýkajte sa motora ani tlmiča výfuku hneď po vypnutí motora. Horúce povrchy môžu spôsobiť poranenia.
- Horúci tlmič výfuku môže mať za následok vznik požiaru. Pri používaní výrobku v blízkosti horľavých kvapalín alebo plynov zachovajte opatrnosť.
- Ak je tlmič výfuku poškodený, nedotýkajte sa dielov vnútri tlmiča výfuku. Diely môžu obsahovať niektoré karcinogénne chemikálie.

- Niektoré fúkače majú lapač iskier. V uvedených intervaloch lapač čistite a vymieňajte. Pozrite si kapitolu Údržba (*ÚDRŽBA na strane 252*).

Bezpečnosť paliva

- Výrobok neštartujte, ak sú na ňom zvyšky paliva alebo motorového oleja. Odstráňte neželané palivo/olej a nechajte výrobok vyschnúť. Odstráňte z výrobku neželané palivo.
- Ak vylejete palivo na odev, okamžite sa prezelečte.
- Dávajte pozor, aby ste si palivo nevyliali na telo, pretože môže spôsobiť poranenie. Ak si palivo vylejete na telo, umyte sa pomocou mydla a vody.
- Motor neštartujte, ak olej alebo palivo vylejete na výrobok alebo na svoje telo.
- Výrobok neštartujte, ak sa na motore vyskytuje netesnosť. Pravidelne kontrolujte výskyt netesností na motore.
- Pri manipulácii s palivom zachovajte opatrnosť. Palivo je horľavá látka a výpary z paliva sú výbušné a môžu spôsobiť poranenia alebo smrť.
- Vyhnite sa vdychovaniu výparov paliva, pretože môžu spôsobiť poranenie. Zabezpečte dostatočné prúdenie vzduchu.
- V blízkosti paliva alebo motora nefajčite.
- Neukladajte do blízkosti paliva alebo motora teplé predmety.
- Nedopĺňajte palivo, keď je zapnutý motor.
- Pred dopĺňaním paliva sa uistite, že motor vychladol.
- Pred dopĺňaním paliva pomaly otvorte veko palivovej nádrže a opatrne uvoľnite tlak.
- Palivo do motora nedopĺňajte v interiéri. Nedostatočné prúdenie vzduchu môže spôsobiť poranenie alebo smrť v dôsledku udusenía alebo otravy oxidom uhoľnatým.
- Starostlivo utiahnite veko palivovej nádrže, inak hrozí riziko vzniku požiaru.
- Pred spustením premiestnite výrobok minimálne 3 m od miesta, na ktorom ste dopĺňali palivo do nádrže.
- Neprepĺňajte palivovú nádrž.
- Pri premiestňovaní výrobku alebo nádoby na palivo sa uistite, že z nich nevyteká palivo.
- Výrobok ani nádobu na palivo neukladajte na miesta s otvoreným ohňom, iskrami alebo trvalým plameňom. Uistite sa, že sa na mieste, na ktorom výrobok uskladníte, nenachádza otvorený oheň.
- Na premiestnenie alebo uskladnenie paliva používajte len schválené nádoby.
- Pred dlhodobým uskladnením vyprázdňte palivovú nádrž. Pri likvidácii paliva dodržiavajte miestne právne predpisy.
- Pred dlhodobým uskladnením výrobok vyčistite.
- Pred odložením odmontujte z výrobku kábel zapalovacej sviečky, aby ste sa uistili, že nedôjde k náhodnému spusteniu motora.

Bezpečnostné pokyny pre údržbu



VÝSTRAHA: Nesprávna údržba môže spôsobiť vážne poškodenie motora alebo vážne poranenie.

Vlastník stroja zodpovedá za vykonanie všetkých potrebných úkonov údržby, ako je určené v návode na obsluhu. Pred vykonaním údržby odpojte zapalovaciu sviečku. Pred nastavením karburátora neodpájajte zapalovaciu sviečku.

MONTÁŽ



VÝSTRAHA: Pred montážou výrobku si prečítajte kapitolu o bezpečnosti.

Inštalácia hornej fúkacej trubice

1. Zarovnajzte štrbinu na hornej fúkacej trubici (A) so západkou na výstupe fúkača (B). (Obr. 23)
2. Úplne nasuňte hornú fúkaciu trubicu na výstup fúkača.
3. Pootočte hornou fúkačou trubicou, kým sa otvor na trubici nezarovná so závitmi matice vo výstupe fúkača. (Obr. 24)
4. Nasadzte skrutku (C). (Obr. 25)
5. Trubicu upevnite utiahnutím skrutky skrutkovačom v smere hodinových ručičiek.

Inštalácia dolnej fúkacej trubice

1. Zarovnajzte štrbiny na dolnej fúkacej trubici (A) so západkami na hornej fúkacej trubici (B). (Obr. 26)
2. Úplne nasuňte dolnú fúkaciu trubicu na hornú fúkaciu trubicu.
3. Pootočte dolnou fúkačou trubicou, kým západka nezapadne na konci štrbiny. (Obr. 27)

Inštalácia fúkacej trubice VX™

1. Zarovnajzte štrbiny na™ fúkacej trubici VX (A) so západkami na hornej fúkacej trubici (B). (Obr. 28)
2. Úplne nasuňte™ fúkaciu trubicu VX na hornú fúkaciu trubicu.
3. Pootočte™ fúkačou trubicou VX, kým západka nezapadne na konci štrbiny. (Obr. 29)

Inštalácia hornej vysávacej trubice

1. Vsuňte prst alebo skrutkovač do západky na jednotke vstupu vysávača. (Obr. 30)
2. Jemne nakloňte rukoväť skrutkovača smerom k prednej časti výrobku, aby sa uvoľnila západka.

3. Podržte kryt vstupného bloku vysávača otvorený, kým horná vysávacia trubicu nie je nasadená na svojom mieste. (Obr. 31)
4. Zarovnajzte výstupok na vnútornej strane vstupného otvoru vysávača so štrbinami na hornej vysávacej trubici.

Poznámka: Zarovnajzte ukazovatele na vstupnom otvore vysávača a hornej vysávacej trubici.

5. Úplne zatlačte hornú vysávaciu trubicu do vstupného otvoru vysávača.
6. Úplne pootočte hornou vysávacou trubicou v smere hodinových ručičiek, kým nezačujete kliknutie. (Obr. 32)

Inštalácia dolnej vysávacej trubice

1. Zarovnajzte štrbinu na dolnej vysávacej trubici so západkou na hornej vysávacej trubici.
2. Nasúvajte dolnú vysávaciu trubicu na hornú vysávaciu trubicu na doraz, kým západka nezapadne na konci štrbiny. (Obr. 33)
3. Nasadzte skrutku.
4. Trubicu upevnite utiahnutím skrutky skrutkovačom v smere hodinových ručičiek. (Obr. 34)

Inštalácia trubice zberného vaku

1. Zarovnajzte štrbinu na trubici zberného vaku (A) so západkou na výstupe fúkača (B). (Obr. 35)
2. Úplne nasuňte trubicu zberného vaku na výstup fúkača.
3. Pootočte trubicou zberného vaku, kým sa otvor na trubici nezarovná so závitmi matice vo výstupe fúkača. (Obr. 36)
4. Nasadzte skrutku (C).
5. Trubicu upevnite utiahnutím skrutky skrutkovačom v smere hodinových ručičiek. (Obr. 37)

PREVÁDZKA



VÝSTRAHA: Pred používaním výrobku si prečítajte kapitolu o bezpečnosti a porozumejte informáciám, ktoré sa v nej uvádzajú.

Palivo

Používanie paliva



VAROVANIE: Tento výrobok má dvojtaktný motor. Používajte zmes benzínu a oleja pre dvojtaktné motory. Uistite sa, že do zmesi pridáte správne množstvo oleja. Nesprávny pomer benzínu a oleja môže poškodiť motor.

Benzín



VAROVANIE: Nepoužívajte benzín s oktánovým číslom menším než 90 RON (87 AKI). Mohlo by to viesť k poškodeniu výrobku.



VAROVANIE: Nepoužívajte benzín s vyššou než 10 % koncentráciou etanolu (E10). Mohlo by to viesť k poškodeniu výrobku.

- Vždy používajte nový bezolovnatý benzín s minimálnym oktánovým číslom 90 RON (87 AKI) a maximálne 10 % koncentráciou etanolu (E10).
- Ak výrobok často používate na dlhodobé práce pri vysokých otáčkach, odporúčame používať vysokooktánový benzín.

Olej pre dvojtaktný motor

- Používajte len vysokokvalitný olej pre dvojtaktné motory. Používajte len olej pre vzduchom chladené motory.
- Nepoužívajte iné typy olejov.
- Pomer zmiešavania je 50:1 (2 %)

Benzín	Olej
1 am. gal.	77 ml (2,6 unce)
1 imperiálny gal.	95 ml (3,2 unce)
5 l	100 ml (3,4 unce)

Príprava zmesi paliva

Poznámka: Na prípravu zmesi paliva vždy použite čistú nádobu na palivo.

Poznámka: Pripravte si množstvo zmesi paliva, ktoré vám vydrží max. 30 dní.

1. Pridajte polovičnú dávku benzínu.
2. Pridajte celú dávku oleja.
3. Pretrepaním nádoby zmes paliva premiešajte.
4. Pridajte zvyšné množstvo benzínu.
5. Pretrepaním nádoby zmes paliva premiešajte.

6. Nalejte palivo do palivovej nádrže.

Pridanie paliva

- Vždy používajte nádobu na palivo s ventilom proti pretečeniu paliva.
- Ak sa palivo vyleje na nádobu, odstráňte neželané palivo a nechajte nádobu vyschnúť.
- Uistite sa, že oblasť okolo veka palivovej nádrže je čistá.
- Pred doplnením paliva do palivovej nádrže nádobu na palivo pretrepte.

Zapnutie a vypnutie

Pred naštartovaním motora

- Výrobok skontrolujte, či nemá poškodené, uvoľnené alebo opotrebované diely a či niektoré diely nechýbajú.
- Skontrolujte zberný vak. Uistite sa, že zberný vak nie je poškodený a že zips je zatvorený.
- Skontrolujte matice, skrutky a skrutky s maticou.
- Skontrolujte vzduchový filter.
- Skontrolujte, či páčka plynu funguje správne.
- Skontrolujte, či vypínač funguje správne.
- Skontrolujte, či z produktu neuniká palivo.

Štartovanie studeného motora



VÝSTRAHA: Štartovacie lanko si neovíjajte okolo ruky.



VAROVANIE: Výrobok nedržte nohou.



VAROVANIE: Štartovacie lanko neťahajte do konečnej polohy. Keď je štartovacie lanko vytiahnuté, nepúšťajte jeho držadlo. Mohlo by to viesť k poškodeniu výrobku.

Poznámka: Ak sa motor zastaví, posuňte ovládanie sýtiča do zatvorenej polohy a zopakujte postup štartovania.

1. Do palivovej nádrže naplňte čistú zmes paliva.
2. Ľavou rukou držte stroj na zemi. Uistite sa, že koniec fúkača nesmeruje na osoby, zvieratá, sklo ani pevné predmety.
3. Pomaly 10-krát stlačte balónik pumpy.
4. Presuňte páčku sýtiča do polohy ÚPLNÉHO OTVORENIA.
5. Stlačte a držte stlačený spúšťač chodu.
6. Rýchlo potiahnite rukoväť štartovacieho lanka, kým sa motor nepokúsi naštartovať, ale neurobte viac ako 3 potiahnutia.

Poznámka: Ak je teplota nižšia ako 4 °C (40 °F), pokračujte v ťahaní rukoväte štartovacieho lanka, kým sa motor nepokúsi naštartovať.

7. Presuňte páčku tlmenia do polovičnej polohy POLOVIČNÉHO OTVORENIA.
8. Rýchlo potiahnite rukoväť štartovacieho lanka, kým sa motor nerozbehne.
9. Motor nechajte bežať 10 sekúnd.
10. Presuňte páčku sýtiča do polohy ZATVORENIA.

Štartovanie teplého motora

1. Pomaly 10-krát stlačte balónik pumpy.
2. Presuňte páčku tlmenia do polovičnej polohy POLOVIČNÉHO OTVORENIA.
3. Rýchlo potiahnite rukoväť štartovacieho lanka, kým sa motor nerozbehne.
4. Presuňte páčku sýtiča do polohy ZATVORENIA.

Štartovanie motora s kondenzáciou

Kondenzácia vzniká, keď v dôsledku zvýšenej teploty dochádza k vyparovaniu paliva v palivovom potrubí alebo karburátore.

Vo výrobku môže byť prítomná kondenzácia, ak výrobok nie je možné reštartovať pri teplote okolia nad 35 °C (95 °F) a výrobok bol vypnutý po dobu 15 – 45 minút.

1. Opakovane stláčajte balónik pumpy po dobu 10 – 15 sekúnd.
2. Presuňte páčku tlmenia do polovičnej polohy POLOVIČNÉHO OTVORENIA.
3. Rýchlo potiahnite rukoväť štartovacieho lanka, kým sa motor nerozbehne.
4. Nechajte motor zahriať na voľnoběžných otáčkach približne 3 minúty.
5. Presuňte páčku sýtiča do polohy ZATVORENIA.

Zastavenie motora

- Stlačte a uvoľnite vypínač motora STOP. Vypínač sa automaticky vráti do polohy zapnutia ON. Pred pokusom o reštartovanie výrobku počkajte 7 sekúnd, aby ste sa uistili, že sa vypínač resetoval.

Nastavenie fúkacej trubice VX™

1. Zarovnajete správnu štrbinu (A alebo B) na vonkajšej™ fúkacej trubici VX so západkou (C) na vnútornej trubici. (Obr. 38)

Poznámka: Pri zostavovaní trubíc západku nie je vidno. Polohu západky musíte cítiť, keď pohybujete vonkajšou trubicou.

Poznámka: Veľký otvor fúkača dosiahnete zapojením západky do polohy „A“. Veľký otvor fúkača odprätáva široké plochy pokryté suchým listím a ďalšími nežiaducimi materiálmi. Malý otvor

fúkača dosiahnete zapojením západky do polohy „B“. Malý otvor fúkača umožňuje rýchlejší prúd vzduchu, ktorý je určený na čistenie štrbín a okrajov alebo na odpratávanie ťažších materiálov, ako je mokré listie.

2. Ak chcete uvoľniť západku zo štrbiny, pootočte vonkajšou trubicou, ako je zobrazené na obrázku. (Obr. 39)
3. Ak chcete zmeniť polohu, posuňte vonkajšiu trubicu pozdĺž vnútornej trubice. (Obr. 40)
4. Pootočte vonkajšou trubicou, ako je zobrazené na obrázku, kým západka úplne nezapadne na konci polohy správnej štrbiny. (Obr. 41)

Prevádzková poloha

- Fúkač (Obr. 42)
- Vysávač (Obr. 43)

Vysávanie

Pred vysávaním si nasadte bezpečnostné vybavenie.



VÝSTRAHA: Pred použitím sa uistite, že zberný vak nie je poškodený a že zips je zatvorený. Nepoužívajte poškodený vak. Zabráňte tak zraneniu spôsobenému odletujúcimi nečistotami. Ovládanie ľavou rukou zvyšuje riziko. Telom sa nedotýkajte výfukovej oblasti.



VÝSTRAHA: Nespúšťajte fúkač, ak je kryt vstupného bloku otvorený alebo poškodený (okrem prípadov, keď je pripojená vysávacía trubicou).

- Pri práci s fúkačom musíte zberný vak držať pomocou ramenného popruhu. Popruh musíte mať hore na ramene.
- Spustite fúkač. Riadte sa pokynmi v časti o spustení a zastavení *Zapnutie a vypnutie na strane 250*. Starostlivo si prečítajte bezpečnostné pokyny **BEZPEČNOSŤ** na strane 246.

Vyprázdnenie zberného vaku



VÝSTRAHA: Zberný vak vždy skontrolujte. Pred použitím sa uistite, že nie je poškodený a že zips je zatvorený. Ak je vak poškodený, nepoužívajte ho. Hrozí nebezpečenstvo poranenia spôsobeného odletujúcimi nečistotami. Dávajte pozor, hlavne pri obsluhu ľavou rukou. Nedotýkajte sa výfukovej oblasti.

1. Vypnite výrobok.
2. Otvorte zips naboku.
3. Vyprázdnite zberný vak.
4. Zatvorte zips.

ÚDRŽBA



VÝSTRAHA: Pred čistením, opravou a údržbou výrobku si prečítajte kapitolu o bezpečnosti a uistite sa, že rozumiete informáciami, ktoré sú v nej uvedené.

Plán údržby

Uistite sa, že dodržiavate plán údržby. Intervaly sú vypočítané na základe každodenného používania výrobku. Ak výrobok nepoužívate každý deň, intervaly sa líšia. Vykonávajte len údržbu uvedenú v tomto návode. V súvislosti s inými prácami súvisiacimi s údržbou, ktoré nie sú uvedené v tomto návode, kontaktujte schválené servisné stredisko.

Denná údržba

- Vyčistíte vonkajšie povrchy.
- Preskúšajte reguláciu rýchlosti a fungovanie páčky plynu. Vymeňte poškodené časti
- Skontrolujte vypínač. V prípade potreby ho vymeňte.
- Skontrolujte voľnobežné otáčky.
- Vyčistíte vzduchový filter. V prípade potreby ho vymeňte.
- Uistite sa, že kryt vstupného bloku možno zamknúť v zatvorenej polohe. Uistite sa, že ventilátor je čistý.
- Dotiahnite všetky matice a skrutky.
- Uistite sa, či kryty nie sú popraskané.
- Uistite sa, že zberný vak nie je poškodený a že zips funguje. Ak je to nutné, vymeňte vak.

Týždenná údržba

- Skontrolujte stav štartéra, štartovacieho lanka a napínacej pružiny. Vymeňte akékoľvek poškodené súčiastky.
- Skontrolujte stav prívodu vzduchu na štartéri. Ak je vstup vzduchu zablokovaný, odstráňte nečistoty.
- Vyčistíte vonkajšiu časť zapalovacej sviečky. Odmontujte ju a skontrolujte medzeru medzi elektródami. Nastavte medzeru na 6 mm alebo vymeňte zapalovaciu sviečku.
- Očistíte lopatky ventilátora.
- Očistíte lapač iskier a v prípade potreby ho vymeňte (neplatí pre tlmiče výfuku s katalyzátorom).
- Vyčistíte oblasť karburátora.
- Vyčistíte vzduchový filter.

Mesačná údržba

- Skontrolujte rukoväť štartovacieho lanka a štartovacie lanko.
- Vyčistíte palivovú nádrž.
- Vyčistíte ventilátor a jeho okolie.
- Očistíte lopatky ventilátora.
- Skontrolujte trubičky paliva, či nie sú prasknuté alebo inak poškodené. Podľa potreby ho vymeňte

- Vymeňte palivový filter v palivovej nádrži.
- Skontrolujte všetky káble a konektory.
- Vymeňte zapalovaciu sviečku.
- Vymeňte vzduchový filter.

Ročná údržba

- Skontrolujte zapalovaciu sviečku.
- Vyčistíte vonkajší povrch karburátora a príslušné miesta.
- Vyčistíte chladiaci systém.
- Skontrolujte kryt na ochranu pred iskrami.
- Skontrolujte palivový filter.
- Skontrolujte, či nie je poškodená palivová hadica.
- Skontrolujte všetky káble a konektory.

Údržba po 50 hodinách

- Požiadajte schválené servisné stredisko o opravu alebo výmenu tlmiča výfuku.

Nastavenie voľnobežných otáčok

Pred nastavením voľnobežných otáčok sa uistite, že je čistý vzduchový filter a pripevnený kryt vzduchového filtra.

Nastavte voľnobežné otáčky pomocou nastavovacej skrutky voľnobežných otáčok.

(Obr. 44)

Voľnobežné otáčky sú nastavené správne, ak motor beží plynulo vo všetkých polohách.

1. Ak chcete vyššiu rýchlosť, otočte nastavovaciu skrutku voľnobehu v smere hodinových ručičiek.
2. Ak chcete nižšiu rýchlosť, otočte nastavovaciu skrutku voľnobehu proti smeru hodinových ručičiek.

Údržba krytu na ochranu pred iskrami

Kryt na ochranu pred iskrami vyčistíte pomocou drôtenej kefy.

Čistenie chladiaceho systému

Súčasti chladiaceho systému vyčistíte pomocou kefy.

Kontrola zapalovacej sviečky



VAROVANIE: Vždy používajte odporúčaný typ zapalovacej sviečky. Nesprávny typ zapalovacej sviečky môže spôsobiť poškodenie výrobku.

- Ak má motor slabý výkon, ťažko sa štartuje alebo pri voľnobežných otáčkach nefunguje správne, skontrolujte zapalovaciu sviečku.

- Ak chcete znížiť riziko prítomnosti neželaného materiálu na elektródach zapalovacej sviečky, postupujte takto:
 - a) Uistite sa, že voľnobežné otáčky sú správne nastavené.
 - b) Uistite sa, že používate správnu zmes paliva.
 - c) Uistite sa, že je čistý vzduchový filter.
- Ak je zapalovacia sviečka špinavá, očistite ju a skontrolujte, či je medzera medzi elektródami správna. Pozrite si časť **TECHNICKÉ ÚDAJE na strane 253**. (Obr. 45)
- V prípade potreby vymeňte zapalovaciu sviečku.

Čistenie vzduchového filtra

1. Odstráňte kryt vzduchového filtra a vzduchový filter.
2. Očistite vzduchový filter teplou mydlovou vodou. Pred opätovným vložením sa uistite, že je vzduchový filter suchý.
3. Ak je vzduchový filter príliš znečistený a nie je možné ho vyčistiť, vymeňte ho. Poškodený vzduchový filter vždy vymeňte.
4. Ak je výrobok vybavený penovým vzduchovým filtrom, použite olej vzduchového filtra. Olej vzduchového filtra aplikujte len na penový vzduchový filter. Neaplikujte olej na plstený filter.

Údržba vzduchového filtra

TECHNICKÉ ÚDAJE

	jednotka	GBV 322 (GHB28VPR)	GBV 322VX (GHB28VPR)
Technické údaje motora			
Zdvihový objem valca	cm ³	26	26
Medzera medzi elektródami	mm	0,6	0,6
Objem palivovej nádrže	cm ³	500	500
Voľnobežné otáčky	min. ⁻¹	2 800 – 3 200	2 800 – 3 200
Maximálny výkon pri otáčkach	min. ⁻¹	8 000	8 000
Výstupný výkon	kW	0,8	0,8
Zapalovacia sviečka		Champion RCJ-6Y	Champion RCJ-6Y
Režim fúkania maximálnou rýchlosťou	min. ⁻¹	8 600	8 600
Režim vysávania maximálnou rýchlosťou	min. ⁻¹	--	7 500
Čas emisnej trvanlivosti	h	50	50
Údaje o hluku a vibráciách			
Ekvivalentná hladina vibrácií na rukovätiach, s fúkanými trubicami a dýzou (originál) – pozrite si poznámku 1	m/s ²	7,5	7,5
Ekvivalentná hladina vibrácií na rukovätiach, s vysávacími trubicami (originál) – pozrite si poznámku 1	m/s ²	7,4	7,4
Ekvivalentná hladina akustického tlaku pri uchu obsluhujúceho pracovníka meraná v súlade s normou ISO 22868, vybavené fúkanými trubicami a dýzou (originál) – pozrite si poznámku 3	dB(A)	95,6	95,6
Zaručená hladina akustického výkonu (L _{WA}) – pozrite si poznámku 2	dB(A)	112	112
Nameraná hladina akustického výkonu – pozrite si poznámku 2	dB(A)	109	109
Rozmery výrobku			
Hmotnosť	kg	4,4	4,5

	jednotka	GBV 322 (GHB28VPR)	GBV 322VX (GHB28VPR)
Poznámka 1: Uvádzané údaje pre ekvivalentnú hladinu vibrácií majú typický štatistický rozptyl (štandardnú odchýlku) 1,5 m/s ² .			
Poznámka 2: Emisie hluku merané ako akustický výkon (L _{WA}) v súlade s európskou smernicou 2000/14/ES. Uvádzaná hladina akustického výkonu pre stroj bola meraná s originálnym nastavcom, ktorý produkuje najvyššiu úroveň. Rozdiel medzi zaručeným a nameraným akustickým výkonom spočíva v tom, že zaručený akustický výkon zahŕňa aj rozptyl výsledkov merania a rozdiely medzi jednotlivými strojmi rovnakého modelu v súlade so smernicou 2000/14/ES.			
Poznámka 3: Uvádzané údaje pre ekvivalentnú hladinu akustického tlaku majú typický štatistický rozptyl (štandardnú odchýlku) 3 dB (A).			

Ventilátor	jednotka	GBV 322	GBV 322VX
Typ		Radiálny ventilátor	Radiálny ventilátor
Max. rýchlosť vzduchu, štandardná dýza	km/h	322	–
Max. rýchlosť vzduchu, VX™ fúkača trubica*	km/h	–	370
Prietok vzduchu v režime fúkania	cfm	370	450
Prietok vzduchu v režime vysávania	cfm	490	490
Pomer mulčovania		10 : 1	16 : 1
* voliteľné príslušenstvo			

OBSAH VYHLÁSENIA O ZHODE ES

V mene spoločnosti Husqvarna AB, SE 561 82 Huskvarna, ŠVÉDSKO, vyhlasujeme s plnou zodpovednosťou, že reprezentovaný výrobok:

Popis	Benzínový fúkač/fúkač-vysávač
Značka	McCulloch
Platforma/Typ/Model	Platforma GHB28VPR, reprezentuje model GBV 322, GBV 322VX
Séria	Výrobné číslo z roku 2018 a nasledujúcich rokov

plne spĺňa nasledujúce smernice a nariadenia EÚ:

Smernice/Nariadenia	Popis
2006/42/EC	„o strojových zariadeniach“

Smernice/Nariadenia	Popis
2014/30/EÚ	„týkajúca sa elektromagnetickej kompatibility“
2000/14/ES	„týkajúca sa hluku vo voľnom priestranstve“

Spĺňa nasledovné použité harmonizované normy a/alebo technické špecifikácie: EN ISO 12100, EN 15503, CISPR 12, ISO 14982

V súlade s ustanovením prílohy V smernice 2000/14/ES sú deklarované úrovne hluku uvedené v časti o technických údajoch tohto návodu na obsluhu a v podpísanom Vyhlásení o zhode ES.

Spoločnosť TÜV Rheinland N.A. vykonala nepovinnú skúšku v mene spoločnosti Husqvarna AB a udelila Certifikát zhody so smernicou Rady 2006/42/ES o strojových zariadeniach.

V zmysle Vyhlásenia o zhode ES je tento certifikát platný pre všetky miesta výroby a krajiny pôvodu, ako sú vyznačené na produkte.

Dodávaný benzínový fúkač/fúkač-vysávač sa zhoduje so vzorkou, ktorá prešla skúškou.

VSEBINA

UVOD.....	256	VZDRŽEVANJE.....	262
VARNOST.....	257	TEHNIČNI PODATKI.....	264
SESTAVLJANJE.....	260	VSEBINA IZJAVE ES O SKLADNOSTI.....	265
UPORABA.....	260		

UVOD

Navodila za uporabo

Originalni jezik teh navodil za uporabo je angleščina. Navodila za uporabo v drugih jezikih so prevodi iz angleščine.

Pregled

(Sl. 1)

- | | | |
|--------------------------------------|-----------|--|
| 1. Naramnica | (Sl. 5) | Uporabljajte odobreno zaščito za sluh |
| 2. Ročica plina | | Uporabljajte odobreno zaščito oči (ANSI Z87.1 ali podobno) |
| 3. Stikalo za zaustavitev | (Sl. 6) | |
| 4. Št. vrt. | | Uporabljajte odobrene zaščitne škornje in rokavice |
| 5. Ohišje ventilatorja | (Sl. 7) | |
| 6. Pokrovček rezervoarja za gorivo | (Sl. 8) | Nosite dolge rokave in hlače |
| 7. Zračni filter | (Sl. 9) | Med uporabo izdelka ne nosite nakita. |
| 8. Ročica čoka | (Sl. 10) | S konico izvijača sprostite zaklepni del. |
| 9. Membrana črpalke za gorivo | | Ne sesajte kamnov, proda, kovine, zlomljenega stekla, gumijastega lubja ali drugega materiala, da ne pride do poškodb rotorja. |
| 10. Pokrov sesalne odprtine | (Sl. 11) | |
| 11. Ročaj sesalnika | | Izdelek lahko povzroči izmet predmetov, ki lahko poškodujejo oči |
| 12. Rezilo za mulčenje (GBV 322VX) | (Sl. 12) | |
| 13. Rotor ventilatorja | (Sl. 13) | Ne približujte se rotorju med vrtenjem |
| 14. Spodnja cev pihalnika (GBV 322) | (Sl. 14) | Odprt čok |
| 15. VX™ – cev pihalnika (GBV 322VX) | (Sl. 15) | Polovično odprt čok |
| 16. Zgornja cev pihalnika | (Sl. 16) | Brez čoka |
| 17. Vijak | (Sl. 17) | Dolge lase spnite nad rameni. |
| 18. Dušilnik | (Sl. 18) | Varna razdalja |
| 19. Ozemljitveni vodnik | (Sl. 19) | Zagotovljena raven zvočne moči |
| 20. Ročica zaganjalne vrvice | | Izdelek je skladen z veljavnimi direktivami ES. |
| 21. Zaganjalnik | (Sl. 20) | |
| 22. Ročaj | (Sl. 21) | Izdelek je skladen z veljavnimi direktivami EAC. |
| 23. Kombiniran ključ | | |
| 24. Cev zbiralne vreče | (Sl. 22) | Izdelek je skladen z veljavnimi direktivami Ukrajine. |
| 25. Zbiralna vreča | | |
| 26. Dvodelna sesalna cev | | |
| 27. Vijaki | | |
| 28. Navodila za uporabo | | |

Simboli na izdelku

- (Sl. 2) Pozor
- (Sl. 3) Preberite ta navodila
- (Sl. 4) Uporabljajte odobreno zaščitno čelado

Opomba: Ostali znaki in oznake na izdelku se nanašajo na zahteve za certifikacijo, ki veljajo za druga komercialna območja.

EU V



OPOZORILO: Zaradi predelave motorja se razveljavi EU-homologacija tega izdelka.

Odgovornost proizvajalca

Kot je navedeno v zakonodaji, ki ureja odgovornost proizvajalca, ne prevzemamo nikakršne odgovornosti za

poškodbe, ki bi jih naši izdelki povzročili v naslednjih primerih:

- Izdelek ni pravilno popravljen.
- Izdelek je popravljen z deli, ki jih ni izdelal ali odobril proizvajalec.
- Na izdelku je nameščena dodatna oprema, ki je ni izdelal ali odobril proizvajalec.
- Izdelek ni bil popravljen v pooblaščenem servisnem centru ali pri pooblaščenem organu.

VARNOST

Varnostne definicije

Spodnje definicije označujejo stopnjo resnosti posameznih opozorilnih besed.



OPOZORILO: Poškodbe oseb.



POZOR: Poškodbe izdelka.

Opomba: Te informacije olajšajo uporabo izdelka.

Splošna varnostna navodila

- Izdelek uporabljajte pravilno. Če izdelka ne uporabljate pravilno, lahko pride do poškodb ali smrti. Izdelek uporabljajte samo za opravila, ki so navedena v tem priročniku. Izdelka ne uporabljajte za druga opravila.
- Sledite navodilom v tem priročniku. Upoštevajte varnostne simbole in navodila. Če uporabnik ne upošteva navodil in simbolov, lahko pride do poškodb ali smrti.
- Priročnika ne zavrzite. Sledite navodilom pri sestavljanju, uporabi in vzdrževanju izdelka v brezhibnem stanju. Navodila uporabljajte za pravilno namestitve priključkov in dodatne opreme. Uporabljajte samo odobrene priključke in dodatno opremo.
- Ne uporabljajte poškodovanega izdelka. Sledite urniku vzdrževanja. Izvajajte samo postopke vzdrževanja, za katere ta priročnik vsebuje navodila. Vse druge postopke vzdrževanja mora izvesti pooblaščen servisni center.
- Ta priročnik ne more vsebovati vseh okoliščin, do katerih lahko pride pri uporabi izdelka. Bodite previdni in ravnajte razumno. Če niste prepričani glede določenih okoliščin, izdelka ne uporabljajte

oziroma na izdelku ne izvajajte postopkov vzdrževanja. Za informacije se obrnite na strokovnjaka za izdelek, prodajalca, pooblaščen servisno delavnico ali servisni center.

- Pred sestavljanjem, skladiščenjem in vzdrževanjem izdelka odklopite kabel vžigalne svečke.
- Izdelka ne uporabljajte, če so se spremenile njegove originalne specifikacije. Ne spreminjajte delov izdelka brez vnaprejšnje odobritve proizvajalca izdelka. Uporabljajte samo dele, ki jih je odobril proizvajalec. Zaradi neustreznega vzdrževanja lahko pride do poškodb ali smrti.
- Ne vdihavajte plinov iz motorja. Dolgotrajno vdihavanje izpušnih plinov motorja je zdravju nevarno.
- Izdelka nikoli ne zaganjajte v zaprtih prostorih ali v bližini vnetljivih materialov. Izpušni plini so vroči in lahko vsebujejo iskre, ki lahko povzročijo požar. Ne zadosten pretok zraka lahko povzroči poškodbe ali smrt zaradi zadušitve ali zastrupitve z ogljikovim monoksidom.
- Pri uporabi tega izdelka motor ustvari elektromagnetno polje. Elektromagnetno polje lahko poškoduje medicinske vsadke. Pred uporabo izdelka se posvetujte z zdravnikom in proizvajalcem medicinskih vsadkov.
- Izdelka ne smejo uporabljati otroci. Izdelka ne smejo uporabljati osebe, ki ne poznajo navodil za uporabo.
- Če izdelek uporabljajo osebe z zmanjšanimi fizičnimi ali intelektualnimi sposobnostmi, jih morate nenehno nadzorovati. Vedno mora biti prisotna odgovorna odrasla oseba.
- Izdelek zaklenite na mesto, kamor otroci in nepooblaščen osebe nimajo dostopa.
- Izdelek lahko povzroči izmet predmetov, zaradi česar lahko pride do poškodb. Upoštevajte varnostna navodila, da zmanjšate nevarnost poškodb ali smrti.
- Ko je motor vklopljen, se ne oddaljujte od izdelka.
- Za morebitne nesreče je odgovoren uporabnik izdelka.

- Pred uporabo izdelka se prepričajte, da deli izdelka niso poškodovani.
- Pred uporabo izdelka se prepričajte, da ste od drugih oseb ali živali oddaljeni najmanj 15 m (50 čevljev). Osebe v bližini obvestite, da izdelek nameravate uporabljati.
- Ravnajte v skladu z nacionalno ali lokalno zakonodajo. Ta lahko v določenih primerih prepreči ali omeji uporabo izdelka.
- Izdelka ne uporabljajte, ko ste utrujeni, ali pod vplivom alkohola, drog ali zdravil. Lahko vplivajo na vid, pozornost, koordinacijo ali presojo.
- Med prevozom naj bo izdelek pritrjen.
- Izdelek uporabljajte le ob priporočenih urah. Upošteвайте lokalne predpise. Običajno priporočene ure so od 09:00 do 17:00, od ponedeljka do sobote.
- Izdelek pri delu uporabljajte pri najnižji hitrosti.
- Zagotovite, da pri uporabi izdelka ne morete pasti. Izdelka med uporabo ne nagibajte.
- Pred uporabo mora biti izdelek v dobrem stanju, zlasti dušilnik, dovod zraka in zračni filter.
- Pred uporabo izdelka z grabljami in metlo zrahljajte delce na tleh.
- Če je delovno območje umazano, ga razpršite s cevjo.
- Izdelek uporabljajte namesto cevi, da privarčujete z vodo.
- Varno izpihajte delce. Bodite pozorni na otroke, živali, odprta okna ali vozila.
- Izdelka ne usmerite v rastline, ki se zlahka poškodujejo.
- Zraka ne pihajte v smeri predmetov, kot so stene, veliki kamni, vozila in ograje.
- Če izdelek uporabljate v notranjosti kotov, pihajte iz kota v središče delovnega območja. V nasprotnem primeru vas delci lahko zadenejo v obraz, zato lahko pride do poškodb oči.
- Uporabljajte celoten podaljšek šobe pihalnika, da bo zračni curek blizu tal.
- Opazovalci morajo uporabljati zaščito za oči.
- Po uporabi izdelka delce odvrzite v zabojnike za smeti.

Zaščita pred vibracijami

Izdelek je namenjen izključno občasni uporabi. Neprekinjena ali redna uporaba izdelka lahko povzroči delno prekinitev prekrvavitve prstov ali enakovredne zdravstvene težave zaradi vibracij. Pred neprekinjeno ali redno uporabo izdelka pregledajte stanje svojih rok in prstov. Če roke ali prsti izgubijo barvo, v njih čutite bolečino ali mravljince ali so otopeli, prenehajte z delom in se nemudoma posvetujte z zdravnikom.

Varnostni napotki za upravljanje pihalnika

- Izdelek uporabljajte samo za pihanje ali odstranjevanje listja in drugih smeti na tleh.
- Ko ste utrujeni, bolni ali ste uživali alkohol, mamila ali zdravila, izdelka ne uporabljajte.
- Opazovalci ali živali morajo biti vsaj 15 m (50 čevljev) oddaljeni od uporabnika.
- Izdelek lahko pri visoki hitrosti izmetava predmete, ki se lahko odbijejo nazaj in poškodujejo uporabnika. Ob tem lahko pride do poškodb oči.
- Šobe pihalnika ne usmerite proti osebam ali živalim.
- Dolge lase spnite nad rameni.
- Pred sestavljanjem ali razstavljanjem dodatne opreme ali drugih komponent zaustavite motor.
- Izdelka ne uporabljajte brez ščitnika.
- Izdelka ne uporabljajte, če so na delovnem območju druge osebe. Če na delovno območje vstopi druga oseba, izdelek izklopote.
- Izdelka ne uporabljajte v prostoru z nezadostnim pretokom zraka. Če je pretok zraka nezadosten, lahko povzroči poškodbe ali smrt zaradi zadrževanja ali zastrupitve z ogljikovim monoksidom.
- Dušilnik je zelo vroč, kadar izdelek deluje, ko se zaustavi in kadar deluje v prostem teku. V bližini vnetljivih materialov in hlapov ravnajte previdno.
- Ne dotikajte se območja pokrova sesalne odprtine. Nakit in ohlapna oblačila ne smejo biti v bližini sesalne odprtine.
- Vedno ohranite ustrezno stojišče in izdelek uporabljajte samo na varnih in ravnih površinah. Na zdrsljivih in nestabilnih površinah, kot so lestve, lahko izgubite ravnotežje ali nadzor.
- Izdelka ne uporabljajte na visokih delovnih območjih, kot je streha.

Varnostni napotki za upravljanje sesalnika

- Preprečite poškodbe ventilatorja. Ne sesajte velikih in trdih predmetov, kot so les, pločevinke, gumijasto lubje ali dolgi konci vrvi.
- Sesalna cev ne sme priti v stik s tlemi.
- Preden odstranite blokado ali zamašeni material, zaustavite motor in odvijte vžigalno svečko.

Osebna zaščitna oprema

- Pri uporabi izdelka vedno uporabljajte ustrezno osebno zaščitno opremo. Uporaba osebne zaščitne opreme ne odpravi vseh morebitnih nevarnosti poškodb. Osebna zaščitna oprema zmanjša stopnjo resnosti poškodb v primeru nesreče.
- Pri uporabi izdelka vedno uporabljajte odobreno zaščitno oči.
- Izdelka ne uporabljajte bosih ali z odprto obutvijo. Vedno uporabljajte trpežno obutev, ki ne drsi.
- Obležene imejte trpežne, dolge hlače.
- Po potrebi uporabljajte odobrene zaščitne rokavice.
- Če obstaja nevarnost poškodb zaradi padajočih predmetov, nosite čelado.
- Pri uporabi izdelka vedno uporabljajte odobreno zaščito za sluh. Dolgotrajen hrup lahko povzroči izgubo sluha.

- Kadar izdelek uporabljate v prašnem okolju, vedno uporabljajte odobreno protiprašno masko.
- Zagotovite, da je v bližini komplet prve pomoči.

Varnostne naprave na izdelku

- Izdelek morate redno vzdrževati.
 - Življenjska doba izdelka se podaljša.
 - Nevarnost nesreč se zmanjša.

Pooblaščen prodajalec ali pooblaščen servisni center naj izdelek redno pregleduje in izvaja nastavitve ter popravila.

- Izdelka ne uporabljajte s poškodovano zaščitno opremo. Če je izdelek poškodovan, se obrnite na pooblaščen servisni center.

Stikalo za izklop

Zaženite motor. Motor se mora izklopiti, ko izklopno stikalo premaknete v položaj za izklop.

Dušilnik



OPOZORILO: Vročega dušilnika se ne dotikajte. Dušilnik je zelo vroč, kadar motor deluje in ko se zaustavi. Če se dotaknete dušilnika, se lahko opečete.

- Če je dušilnik poškodovan, motorja ne zaganjajte. Poškodovan dušilnik zviša nivo hrupa in poveča nevarnost požara. V bližini vedno imejte gasilni aparat.
- Redno pregledujte, ali ima izdelek nameščen dušilnik.
- Motorja ali dušilnika se ne dotikajte, ko je motor vklopljen. Motorja ali dušilnika se nekaj časa po zaustavitvi motorja ne dotikajte. Če se dotikate vročih površin, lahko pride do poškodb.
- Vroč dušilnik lahko povzroči požar. Bodite previdni, če izdelek uporabljate v bližini vnetljivih tekočin ali hlapov.
- Če je dušilnik poškodovan, se ne dotikajte njegovih notranjih delov. Ti deli lahko vsebujejo določene rakotvorne kemikalije.
- Nekateri modeli pihalnikov so opremljeni z lovilnikom isker. Lovilnik očistite in zamenjajte v določenih intervalih. Glejte razdelek Vzdrževanje (*VZDRŽEVANJE na strani 262*).

Varnost pri delu z gorivom

- Če so na izdelku ostanki goriva ali motornega olja, izdelka ne zaganjajte. Očistite ostanke goriva/olja in počakajte, da se izdelek posuši. Očistite ostanke goriva z izdelka.
- Če se z gorivom polijete po obleki, se nemudoma preoblecite.

- Pazite, da goriva ne polijete po telesu, saj lahko pride do poškodb. Če gorivo polijete po telesu, se očistite z milom in vodo.
- Če se je olje ali gorivo polilo po izdelku ali po vašem telesu, ne zaganjajte motorja.
- Če motor pušča, izdelka ne zaganjajte. Redno preverjajte, ali motor pušča.
- Z gorivom ravnajte previdno. Gorivo je vnetljivo, hlapi pa so eksplozivni, zato lahko pride do poškodb ali smrti.
- Ne vdihavajte hlapov goriva, saj lahko pride do poškodb. Zagotovite zadosten pretok zraka.
- V bližini goriva ali motorja ne kadite.
- Vročih predmetov ne postavljajte v bližino goriva ali motorja.
- Goriva ne dolivajte, ko je motor vklopljen.
- Pred dolivanjem goriva se prepričajte, da je motor ohlajen.
- Pred dolivanjem počasi odprite pokrovček posode za gorivo in previdno sprostite pritisk.
- Goriva ne dolivajte v zaprtih prostorih. Ne zadosten pretok zraka lahko povzroči poškodbe ali smrt zaradi zadušitve ali zastrupitve z ogljikovim monoksidom.
- Skrbno privijte pokrovček posode za gorivo, da ne pride do požara.
- Preden izdelek vklopite, ga premaknite najmanj 3 m (10 čevljev) stran od mesta, kjer ste napolnili posodo za gorivo.
- V posodo za gorivo ne nalijte preveč goriva.
- Prepričajte se, da med premikanjem izdelka ali posode za gorivo ne more priti do iztekanja.
- Izdelka ali posode za gorivo ne postavljajte v bližino odprtega ognja, isker ali indikatorskih lučk.
- Prepričajte se, da izdelek med skladiščenjem ni izpostavljen odprtemu ognju.
- Pri premikanju ali skladiščenju goriva uporabljajte samo odobrene posode.
- Pred dolgotrajnim skladiščenjem izpraznite posodo za gorivo. Pri odlaganju goriva ravnajte v skladu z lokalno zakonodajo.
- Pred dolgotrajnim skladiščenjem izdelek očistite.
- Pred skladiščenjem odstranite kabel vžigalne svečke, da preprečite nenamerni zagon motorja.

Varnostna navodila za vzdrževanje



OPOZORILO: Zaradi neustreznega vzdrževanja lahko pride do težkih poškodb motorja ali telesnih poškodb.

Lastnik je odgovoren za izvedbo vseh potrebnih vzdrževalnih del, kot je navedeno v navodilih za uporabo. Pred vsakim vzdrževalnim posegom odvijte vžigalno svečko. Pred nastavljanjem uplinjača ne odvijte vžigalne svečke.

SESTAVLJANJE



OPOZORILO: Pred sestavljanjem izdelka preberite poglavje o varnosti.

Namestitev cevi pihalnika

1. Zarezo na zgornji cevi pihalnika (A) poravnajte z jezičkom v izhodu pihalnika (B). (Sl. 23)
2. Zgornjo cev potisnite do konca na izhod pihalnika.
3. Zgornjo cev pihalnika obračajte, dokler ni cev poravnana z navojem v matici v izhodu pihalnika. (Sl. 24)
4. Namestite vijak (C). (Sl. 25)
5. Vijak zavrtite z izvijačem v smeri urinega kazalca, da namestite cev.

Namestitev spodnje cevi pihalnika

1. Zareze na spodnji cevi pihalnika (A) poravnajte z jezički na zgornji cevi (B). (Sl. 26)
2. Spodnjo cev potisnite do konca na zgornjo cev pihalnika.
3. Spodnjo cev pihalnika obrnite do konca, dokler ni aktiviran jeziček na koncu zarez. (Sl. 27)

Namestitev VX™ cevi pihalnika

1. Poravnajte zareze na VX™ cevi pihalnika (A) z jezički na zgornji cevi pihalnika (B). (Sl. 28)
2. Potisnite VX™ cev pihalnika do konca na zgornjo cev pihalnika.
3. Obrnite VX™ cev pihalnika do konca, dokler ni aktiviran jeziček na koncu zarez. (Sl. 29)

Namestitev zgornje sesalne cevi

1. Konico izvijača vstavite v zaklepni del sesalne odprtine. (Sl. 30)

2. Nežko pritisnite na ročaj izvijača proti sprednjemu delu izdelka, da sprostite zaklep.
3. Pokrov sesalne odprtine pustite odprt, dokler ne namestite zgornje sesalne cevi. (Sl. 31)
4. Rebra na notranjem delu sesalne odprtine poravnajte z zarezami na zgornji sesalni cevi.

Opomba: Poravnajte indikatorje na sesalni odprtini in zgornji sesalni cevi.

5. Zgornjo sesalno cev do konca potisnite v sesalno odprtino.
6. Zgornjo sesalno cev do konca zavrtite v smeri urinega kazalca, dokler se ne zaskoči. (Sl. 32)

Namestitev spodnje sesalne cevi

1. Zarezo na spodnji sesalni cevi poravnajte z jezičkom na zgornji sesalni cevi.
2. Spodnjo cev pihalnika potisnite do konca na zgornjo sesalno cev, dokler ni aktiviran jeziček na koncu zarez. (Sl. 33)
3. Namestite vijak.
4. Vijak zavrtite z izvijačem v smeri urinega kazalca, da namestite cev. (Sl. 34)

Namestitev cevi zbiralne vreče

1. Zarezo na cevi zbiralne vreče (A) poravnajte z jezičkom v izhodu pihalnika (B). (Sl. 35)
2. Cev zbiralne vreče potisnite do konca na izhod pihalnika.
3. Cev zbiralne vreče obračajte, dokler ni cev poravnana z navojem v matici v izhodu pihalnika. (Sl. 36)
4. Namestite vijak (C).
5. Vijak zavrtite z izvijačem v smeri urinega kazalca, da namestite cev. (Sl. 37)

UPORABA



OPOZORILO: Pred uporabo izdelka morate prebrati in razumeti poglavje o varnosti.

Gorivo

Uporaba goriva



POZOR: Ta izdelek ima dvotaktni motor. Uporabite mešanico bencina in motornega olja za dvotaktni motorje. Mešanica mora vsebovati ustrezno količino olja. Če je

razmerje med bencinom in oljem neustrezno, lahko pride do poškodb motorja.

Bencin



POZOR: Ne uporabljajte bencina, ki ima oktansko število nižje od 90 RON (87 AKI). Izdelek se lahko tako poškoduje.



POZOR: Ne uporabljajte bencina, ki ima koncentracijo etanola (E10) višjo od 10 %. Izdelek se lahko tako poškoduje.

- Vedno uporabljajte nov neosvinčeni bencin z oktanskim številom, nižjim od 90 RON (87 AKI), in s koncentracijo etanola, nižjo od 10 % (E10).
- Če izdelek pogosto uporabljate pri visokem številu vrtljajev motorja, uporabljajte bencin z višjim oktanskim številom.

Motorno olje za dvotaktne motorje

- Uporabljajte samo visokokakovostno motorno olje za dvotaktne motorje. Uporabljajte samo motorno olje za zračno hlajene motorje.
- Ne uporabljajte drugih vrst olja.
- Razmerje mešanice: 50 : 1 (2 %).

Bencin	Olje
1 galona	77 ml (2,6 unče)
1 britanska galona	95 ml (3,2 unče)
5 l	100 ml (3,4 unče)

Ustvarjanje mešanice goriva

Opomba: Za mešanje goriva vedno uporabljajte čisto posodo za gorivo.

Opomba: Zagotovite, da je mogoče količino mešanice goriva, ki jo ustvarite, porabiti v 30 dneh.

1. Dodajte polovico količine bencina.
2. Dodajte celotno količino olja.
3. Posodo z mešanico goriva pretresite, da se vsebina zmeša.
4. Dodajte preostalo količino bencina.
5. Posodo z mešanico goriva pretresite, da se vsebina zmeša.
6. Napolnite rezervoar za gorivo.

Dolivanje goriva

- Vedno uporabljajte posodo za gorivo z ventilom proti prelivanju.
- Če so na posodi ostanki goriva, posodo očistite in počakajte, da se posuši.
- Zagotovite, da je območje okrog pokrovskega rezervoarja čisto.
- Preden mešanico goriva nalijete v rezervoar za gorivo, posodo za gorivo pretresite.

Zagon in zaustavitev

Pred zagonom motorja

- Izdelek pregledajte in zagotovite, da na njem ni manjkajočih, poškodovanih ali odvitih delov.
- Pregledajte zbiralno vrečo. Zbiralna vreča ne sme biti poškodovana in njena zadruga mora biti zaprta.
- Pregledajte matice in vijake.

- Pregledajte zračni filter.
- Pregledajte ročico plina in zagotovite, da pravilno deluje.
- Pregledajte izklopno stikalo in zagotovite, da pravilno deluje.
- Pregledajte, ali na izdelku izteka gorivo.

Zagon hladnega motorja



OPOZORILO: Zaganjalne vrvice ne navijajte okoli roke.



POZOR: Izdelka ne držite z nogo.



POZOR: Zaganjalne vrvice ne povlecite do končnega položaja. Ko je zaganjalna vrstica popolnoma iztegnjena, ne izpuscite njene ročice. Izdelek se lahko tako poškoduje.

Opomba: Če se motor zaustavi, ročico dušilnega ventila premaknite v zaprt položaj in znova izvedite korake za zagon.

1. Rezervoar za gorivo napolnite s čisto mešanico goriva.
2. Z levo roko ogrodje stroja držite na tleh. Prepričajte se, da je konec pihalnika usmerjen stran od oseb, živali, stekla in trdih predmetov.
3. Počasi 10-krat pritisnite membrano črpalke za gorivo.
4. Ročico čoka premaknite v položaj ODPRTEGA ČOKA.
5. Pritisnite in zadržite gumb za plin.
6. Zaganjalno ročico povlecite na hitro, da občutite poskus zagona motorja, vendar ne več kot 3-krat.

Opomba: Če je temperatura nižja od 4 °C (40 °F) zaganjalno ročico povlecite tolikokrat, da občutite poskus zagona motorja.

7. Ročico čoka premaknite v položaj POLOVIČNO ODPRTEGA ČOKA.
8. Ročico zaganjalne vrvice močno vlecite, dokler se motor ne zažene.
9. Pustite, da motor deluje približno 10 sekund.
10. Ročico čoka premaknite v položaj BREZ ČOKA.

Zagon toplega motorja

1. Počasi 10-krat pritisnite membrano črpalke za gorivo.
2. Ročico čoka premaknite v položaj POLOVIČNO ODPRTEGA ČOKA.

3. Ročico zaganjalne vrvice močno vlecite, dokler se motor ne zažene.
4. Ročico čoka premaknite v položaj BREZ ČOKA.

Zagon motorja s sistemom za zaporo pare

Zapora pare je aktivirana, ko se gorivo v krogotoku ali uplinjalniku upari zaradi povišane temperature.

Zapora pare je lahko aktivirana, če izdelka ni mogoče znova zagnati pri temperaturi okolice višja od 35 °C (95 °F) in je bil izdelek pred tem 15–45 minut izklopljen.

1. V obdobju 10–15 sekund večkrat pritisnite membrano črpalke za gorivo.
2. Ročico čoka premaknite v položaj POLOVIČNO ODPRTEGA ČOKA.
3. Ročico zaganjalne vrvice močno vlecite, dokler se motor ne zažene.
4. V prostem teku 3 minute počakajte, da se motor segreje.
5. Ročico čoka premaknite v položaj BREZ ČOKA.

Zaustavitev motorja

- Pritisnite in sprostite izklopno stikalo motorja. Stikalo se samodejno vrne v položaj za VKLOP. Počakajte 7 sekund, preden poskusite znova zagnati izdelek, s čimer se prepričate, da se je stikalo ponastavilo.

Nastavitev VX™ cevi pihalnika

1. Poravnajte ustrezno zarezo (A ali B) na zunanji VX™ cevi pihalnika z jezičkom (C) na notranji cevi. (Sl. 38)

Opomba: Ko so cevi sestavljene, jeziček ni viden. Morate otipati položaj jezička med premikanjem zunanje cevi.

Opomba: Za večjo odprtino pihalnika aktivirajte jeziček v položaju "A". Večja odprtina pihalnika premika večja območja suhega listja in drugih neželenih snovi. Za manjšo odprtino pihalnika aktivirajte jeziček v položaju "B". Pri manjši odprtini pihalnika je zračni pretok hitrejši, omogoča čiščenje razpok ter robov in premikanje težjih snovi, kot so mokro listje.

2. Zunanjo cev obrnite kot je prikazano, da odmaknete jeziček od zareze. (Sl. 39)
3. Skupaj z zunanjo cevjo premaknite notranjo cev, da spremenite položaj. (Sl. 40)

4. Zunanjo cev obrnite kot je prikazano, dokler ni jeziček popolnoma aktiviran na koncu ustreznega mesta zareze. (Sl. 41)

Položaj delovanja

- Pihalnik (Sl. 42)
- Sesanje (Sl. 43)

Sesanje

Pred sesanjem oblecite potrebno varovalno opremo.



OPOZORILO: Zbiralna vreča ne sme biti poškodovana in njena zadrga mora biti zaprta pred uporabo. Ne uporabljajte poškodovane vreče. S tem preprečite poškodbe zaradi letočih delcev. Upravljanje z levo roko poveča nevarnost. S telesom se ne dotikajte območja izpušne odprtine.



OPOZORILO: Ne zaženite pihalnika, če je pokrov sesalne odprtine odprt ali poškodovan (razen če je nameščena sesalna cev).

- Med delovanjem pihalnika mora biti zbiralna vreča pritrjena na naramnico. Naramnico nosite na vrhu rame.
- Zaženite pihalnik. Upoštevajte navodila v razdelku za zagon in zaustavitev *Zagon in zaustavitev na strani 261*. Preberite varnostne napotke *VARNOST na strani 257*.

Praznjenje zbiralne vreče



OPOZORILO: Vedno preglejte zbiralno vrečo. Ta ne sme biti poškodovana in njena zadrga mora biti zaprta pred uporabo. Ne uporabljajte poškodovane vreče. Zaradi letočih delcev obstaja nevarnost poškodb. Pri upravljanju izdelka z levo roko bodite previdni. Ne dotikajte se območja izpušne odprtine.

1. Izklopite izdelek.
2. Odprite zadrgo ob strani.
3. Izpraznite zbiralno vrečo.
4. Zaprite zadrgo.

VZDRŽEVANJE



OPOZORILO: Pred čiščenjem in izvajanjem popravil ali vzdrževalnih del na izdelku morate prebrati in razumeti poglavje o varnosti.

Urniki vzdrževanja

Dosledno sledite urniku vzdrževanja. Izračunani intervali veljajo za vsakodnevno uporabo izdelka. Če izdelka ne uporabljate vsak dan, veljajo drugačni intervali. Izvajajte samo postopke vzdrževanja, ki jih vsebuje ta priročnik.

Glede drugih postopkov vzdrževanja, ki jih ta priročnik ne vsebuje, se obrnite na pooblaščen servisni center.

Dnevno vzdrževanje

- Očistite zunanje površine.
- Preglejte delovanje nadzora hitrosti in ročice plina. Zamenjajte poškodovane dele.
- Preglejte izklopno stikalo. Po potrebi ga zamenjajte.
- Preverite hitrost prostega teka.
- Očistite zračni filter. Po potrebi ga zamenjajte.
- Zagotovite, da pokrov sesalne odprtine lahko zaklenete v zaprtem položaju. Rotor mora biti čist.
- Privijte vse matice in vijake.
- Ohišja morajo biti brez razpok.
- Zbiralna vreča ne sme biti poškodovana in njena zadrga mora ustrezno delovati. Po potrebi zamenjajte vrečo.

Tedenska vzdrževalna opravila

- Preverite stanje zaganjalnika, zaganjalne vrvice in natezne vzmeti. Zamenjajte vse poškodovane dele.
- Preverite stanje dovoda zraka na zaganjalniku. Če je dovod zraka zamašen, odstranite zamašene delce.
- Očistite zunanost vžigalne svečke. Odstranite jo in preverite razdaljo med elektrodama. Razdaljo nastavite na 6 mm (0,024 palca) ali pa zamenjajte svečko.
- Očistite rezila na rotorju.
- Očistite lovilnik isker in ga po potrebi zamenjajte (ne velja za dušilnike s katalizatorjem).
- Očistite območje uplinjača.
- Očistite zračni filter.

Mesečna vzdrževalna opravila

- Preglejte ročico zaganjalne vrvice in zaganjalno vrvico.
- Očistite rezervoar za gorivo.
- Očistite uplinjač in območje okrog njega.
- Očistite rezila na rotorju.
- Preverite, ali so vodi za gorivo razpokani ali drugače poškodovani. Po potrebi jih zamenjajte.
- Zamenjajte filter za gorivo v rezervoarju za gorivo.
- Preverite vse kable in povezave.
- Zamenjajte svečko.
- Zamenjajte zračni filter.

Letno vzdrževanje

- Preglejte svečko.
- Očistite zunanjo površino uplinjača in bližnjih območij.
- Očistite hladilni sistem.
- Preglejte lovilnik isker.
- Preglejte filter goriva.
- Preverite, ali je cev goriva poškodovana.
- Preverite vse kable in povezave.

Vzdrževanje po 50 urah

- Popravilo ali zamenjavo dušilnika naj izvede pooblaščen servisni center.

Prilagajanje hitrosti prostega teka

Pred prilagajanjem hitrosti prostega teka zagotovite, da je zračni filter čist in da je nameščen pokrov zračnega filtra.

Prosti tek nastavite z nastavitvenim vijakom za prosti tek.

(Sl. 44)

Hitrost prostega teka je nastavljena pravilno, ko motor deluje enakomerno v vsakem položaju.

1. Za višjo hitrost vijak za prilagoditev prostega teka zavrtite v smeri urinega kazalca.
2. Za nižjo hitrost vijak za prilagoditev prostega teka zavrtite v nasprotni smeri urinega kazalca.

Vzdrževalna dela na lovilniku isker

Mrežico lovilnika isker očistite z žično krtačo.

Čiščenje hladilnega sistema

S krtačo očistite dele hladilnega sistema.

Pregled svečke



POZOR: Vedno uporabljajte priporočeno vrsto svečke. Zaradi neustrezne vrste vžigalne svečke se izdelek lahko poškoduje.

- Če se moč motorja zmanjša, motorja ni mogoče enostavno zagnati ali ta ne deluje ustrezno v prostem teku, preglejte vžigalno svečko.
- Tveganje za pojav oblog na elektrodah vžigalne svečke lahko zmanjšate tako, da upoštevate ta navodila:
 - a) Hitrost prostega teka mora biti pravilno nastavljena.
 - b) Mešanica goriva mora biti ustrezna.
 - c) Zračni filter mora biti čist.
- Če je vžigalna svečka umazana, jo očistite in zagotovite, da je razmak med elektrodama ustrezen. Glejte *TEHNIČNI PODATKI na strani 264*. (Sl. 45)
- Po potrebi zamenjajte vžigalno svečko.

Vzdrževanje zračnega filtra

Čiščenje zračnega filtra

1. Odstranite pokrov zračnega filtra in zračni filter.
2. Zračni filter očistite s toplo milnico. Počakajte, da se zračni filter posuši, preden ga znova namestite.
3. Če je zračni filter preveč umazan, da bi ga lahko temeljito očistili, ga zamenjajte. Če je zračni filter poškodovan, ga zamenjajte.

4. Če ima izdelek penasti zračni filter, nanesite olje za zračni filter. Olje za zračni filter nanesite samo na penasti filter. Olja ne nanašajte na filter iz filca.

TEHNIČNI PODATKI

	enota	GBV 322 (GHB28VPR)	GBV 322VX (GHB28VPR)
Specifikacije motorja			
Gibna prostornina valja	cm ³	26	26
Razmak med elektrodama	mm	0,6	0,6
Prostornina posode za gorivo	cm ³	500	500
Število vrtljajev v prostem teku	min ⁻¹	2800–3200	2800–3200
Najvišja hitrost motorja	min ⁻¹	8000	8000
Izhodna moč	kW	0,8	0,8
Svečka		Champion RCJ-6Y	Champion RCJ-6Y
Način najvišje hitrosti pihanja	min ⁻¹	8600	8600
Način najvišje hitrosti sesanja	min ⁻¹	–	7500
Čas trajanja emisij	h	50	50
Podatki o hrupu in vibracijah			
Ekvivalentna raven vibracij na ročajih s cevmi in šobo pihalnika (originalno) – glejte opombo 1	m/s ²	7,5	7,5
Ekvivalentna raven vibracij na ročajih s sesalnimi cevmi (originalnimi), levo/desno – glejte opombo 1	m/s ²	7,4	7,4
Ekvivalentna raven zvočnega tlaka pri uporabnikovem ušesu, izmerjena v skladu s standardom EN/ISO 22868, pri modelu s cevmi in šobo pihalnika (originalno) – glejte opombo 3	dB (A)	95,6	95,6
Zajamčen nivo moči hrupa (L _{WA}) – glejte opombo 2	dB (A)	112	112
Izmerjeni nivo hrupa – glejte opombo 2	dB (A)	109	109
Mere izdelka			
Teža	kg	4,4	4,5
Opomba 1: Zabeleženi podatki za ekvivalentno raven vibracij imajo tipično statistično razpršitev (standardni odklon) 1,5 m/s ² .			
Opomba 2: Emisije hrupa v okolju, merjene kot moč zvoka (L _{WA}), v skladu z direktivo ES 2000/14/ES. Sporočeni nivo hrupa za napravo je izmerjen z originalnim priključkom, s katerim se doseže najvišji nivo. Razlika med zajamčeno in izmerjeno ravno zvočno moči je v tem, da zajamčena raven zvočne moči, v skladu z direktivo 2000/14/ES, vključuje tudi razpršitev izmerjenih vrednosti in razlike med različnimi napravami istega modela.			
Opomba 3: Podatki za ekvivalentno raven zvočnega tlaka za napravo imajo tipično statistično razpršitev (standardni odklon) v vrednosti 3 dB (A).			

Ventilator	enota	GBV 322	GBV 322VX
Vrsta		Krožni ventilator	Krožni ventilator
Najv. hitrost zraka, standardna šoba	km/h	322	-
Največja hitrost zraka, VX™ cevi pihalnika	km/h	-	370
Način pihanja zraka	kub. čevljev/min	370	450
Način sesanja zraka	kub. čevljev/min	490	490
Razmerje mulčenja		10 : 1	16 : 1
*Možna dodatna oprema			

VSEBINA IZJAVE ES O SKLADNOSTI

Pri Husqvarna AB, SE 561 82 Huskvarna, ŠVEDSKA, na lastno odgovornost izjavljamo, da je predstavljeni izdelek:

Ta certifikat, kot je naveden v podpisani izjavi ES o skladnosti, velja za vse proizvodne lokacije in države porekla, navedene na izdelku.

Opis	Bencinski pihalnik/sesalnik
Znamka	McCulloch
Platforma/vrsta/model	Platforma GHB28VPR, natančneje modela GBV 322 in GBV 322VX
Serijska številka	Serijske številke od letnika 2018 dalje

Dobavljeni bencinski pihalnik/sesalnik je enak primerku, na katerem je bil opravljen pregled.

popolnoma skladen z naslednjimi direktivami in uredbami EU:

Direktiva/uredba	Opis
2006/42/ES	o strojih
2014/30/EU	o elektromagnetni združljivosti
2000/14/ES	o zunanjem hrupu

Usklajeni standardi in/ali tehnične specifikacije v veljavi: EN ISO 12100, EN 15503, CISPR 12, ISO 14982

V skladu z direktivo 2000/14/ES, priloga V, so določene ravni zvoka navedene v poglavju s tehničnimi podatki v tem priročniku in v podpisani izjavi ES o skladnosti.

TÜV Rheinland N.A. je v imenu družbe Husqvarna AB opravil prostovoljen tipski pregled in sestavil dokument Certifikat o skladnosti z direktivo Sveta ES 2006/42/ES o strojih.

Sadržaj

UVOD.....	266	ODRŽAVANJE.....	273
BEZBEDNOST.....	267	TEHNIČKI PODACI.....	274
SKLAPANJE.....	270	SADRŽAJ EZ DEKLARACIJE O	
RUKOVANJE.....	271	USAGLAŠENOSTI.....	275

UVOD

Korisničko uputstvo

Ovo korisničko uputstvo je originalno napisano na engleskom jeziku. Korisnička uputstva na drugim jezicima su prevodi sa engleskog jezika.

Pregled

(Sl. 1)

1. Traka za rame
2. Prekidač gasa
3. STOP prekidač (za zaustavljanje)
4. Tempomat
5. Kućište ventilatora
6. Poklopac rezervoara za gorivo
7. Filter za vazduh
8. Kontrola čoka
9. Pumpa za gorivo
10. Poklopac ulaza
11. Drška usisivača
12. Sečivo za seckanje (GBV 322VX)
13. Rotor ventilatora
14. Donja cev duvača (GBV 322)
15. VX™ cev duvača (GBV 322VX)
16. Gornja cev duvača
17. Vijak
18. Prigušivač
19. Vod za uzemljenje
20. Ručica užeta startera
21. Starter
22. Ručka
23. Kombinovani alat
24. Cev vreće za usisavanje
25. Vreća za usisavanje
26. Dvodelna cev usisivača
27. Zavrtnaj
28. Korisničko uputstvo

Simboli na proizvodu

- (Sl. 2) Upozorenje
- (Sl. 3) Pročitajte ovo uputstvo
- (Sl. 4) Koristite odobrenu zaštitu za glavu

- (Sl. 5) Koristite odobrenu zaštitu za uši
- (Sl. 6) Koristite odobrenu zaštitu za oči (ANSI Z87.1 ili ekvivalentnu)
- (Sl. 7) Nosite odobrene zaštitne čizme i rukavice
- (Sl. 8) Nosite dugačke rukave i pantalone
- (Sl. 9) Nemojte nositi nakit kada radite sa proizvodom.
- (Sl. 10) Pomoću vrha odvijača otpustite rešetku.
- (Sl. 11) Nemojte da usisavate kamenje, šljunak, metal, srču, mlevenu gumu ili druge materijale koji mogu izazvati oštećenje rotora.
- (Sl. 12) Proizvod može da izbacuje predmete, što može da izazove povrede očiju
- (Sl. 13) Ne približavajte se rotoru dok se okreće
- (Sl. 14) Pun čok
- (Sl. 15) Polučok
- (Sl. 16) Bez čoka
- (Sl. 17) Pobrinite se da dugu kosu podignete iznad ramena.
- (Sl. 18) Bezbedno rastojanje
- (Sl. 19) Garantovani nivo zvučne snage
- (Sl. 20) Proizvod je usaglašen sa važećim EZ direktivama.
- (Sl. 21) Proizvod je usaglašen sa važećim EAC direktivama.
- (Sl. 22) Proizvod je usaglašen sa važećim direktivama Ukrajine.

Napomena: Drugi simboli/oznake na proizvodu odnose se na zahteve za sertifikaciju za ostale komercijalne oblasti.

EU V



UPOZORENJE: Neovlašćene prepravke motora poništavaju EU tip odobrenja za ovaj proizvod.

Odgovornost za proizvod

Kako je izloženo u zakonima o odgovornosti za proizvode, mi nismo odgovorni za oštećenja prouzrokovana našim proizvodom ako:

- proizvod je popravljen na pogrešan način.
- proizvod je popravljen korišćenjem delova koji nisu napravljeni ili odobreni od strane proizvođača.
- proizvod ima opremu koja ne potiče ili nije odobrena od strane proizvođača.
- proizvod nije popravljen u ovlašćenom servisnom centru ili od strane ovlašćenog stručnjaka.

BEZBEDNOST

Bezbednosne definicije

Definicije navedene u nastavku pružaju nivo ozbiljnosti za svaku signalnu reč.



UPOZORENJE: Telesne povrede osoba.



OPREZ: Oštećenje proizvoda.

Napomena: Ove informacije olakšavaju korišćenje proizvoda.

Opšta bezbednosna uputstva

- Koristite proizvod na ispravan način. Telesna povreda ili smrt su mogući rezultat neispravnog korišćenja. Koristite proizvod samo za zadatke navedene u ovom uputstvu. Nemojte koristiti proizvod za druge zadatke.
- Pratite instrukcije navedene u ovom uputstvu. Pratite bezbednosne simbole i bezbednosna uputstva. Ako rukovalac ne prati uputstva i simbole, oštećenje, telesna povreda ili smrt su mogući rezultat.
- Nemojte baciti ovo uputstvo. Koristite uputstva kako biste sklopili, rukovali i održavali proizvod u dobrom stanju. Koristite uputstva za ispravno montiranje dodatka i opreme. Koristite isključivo odobrene dodatke i opremu.
- Nemojte koristiti oštećeni proizvod. Pridržavajte se šeme održavanja. Vršite samo one radove održavanja za koje pronađete instrukcije u ovom uputstvu. Ovlašćeni servisni centar mora izvršiti sve druge radove održavanja.
- Ovo uputstvo ne može sadržavati sve situacije koje se mogu pojaviti prilikom korišćenja proizvoda. Budite pažljivi i koristite zdrav razum. Nemojte

rukovati proizvodom ili vršiti održavanje ako niste sigurni u pogledu određene situacije. Obratite se stručnjaku za proizvod, prodavcu, servisnom zastupniku ili ovlašćenom servisnom centru kako biste dobili više informacija.

- Iskopčajte kabl svećice pre nego što sklopite proizvod, uskladištite ga ili izvršite održavanje.
- Nemojte koristiti proizvod ako je izmenjen od inicijalnih specifikacija. Nemojte menjati deo na proizvodu bez odobrenja od strane proizvođača. Koristite samo delove koji su odobreni od strane proizvođača. Telesna povreda ili smrt su mogući rezultat nepravilnog održavanja.
- Nemojte udisati isparenja iz motora. Dugotrajno udisanje izduvnih gasova motora je opasno za zdravlje.
- Nemojte pokretati proizvod u zatvorenom prostoru ili blizu zapaljivih materijala. Izduvni gasovi su vrući i mogu imati varnicu koja može potpaliti požar. Nedovoljan protok vazduha može izazvati telesnu povreda ili smrt usled gušenja ili prisustva ugljenmonoksida.
- Kada koristite ovaj proizvod, motor stvara elektromagnetno polje. Elektromagnetno polje može izazvati oštećenje medicinskih implantata. Posavetujte se sa svojim lekarom i proizvođačem medicinskog implantata pre nego što počnete da rukujete ovim proizvodom.
- Nemojte dozvoliti da dete rukuje proizvodom. Ne dozvolite neobučanim osobama da rukuju proizvodom.
- Pobrinite se da uvek nadzirete osobu sa smanjenim fizičkim ili mentalnim sposobnostima koja koristi proizvod. Odgovorna odrasla osoba mora biti prisutna sve vreme.
- Proizvod čuvajte na mestu gde deca i neovlašćene osobe nemaju pristup.
- Proizvod može da izbacuje predmete i tako izazove telesne povrede. Pridržavajte se bezbednosnih uputstava kako biste smanjili rizik od telesne povrede ili smrti.

- Nemojte se udaljavati od proizvoda kada motor radi.
- Rukovalac proizvoda je odgovoran u slučaju ako dođe do nesreće.
- Uverite se da delovi nisu oštećeni pre nego što koristite proizvod.
- Uverite se da ste udaljeni najmanje 15 m (50 stopa) od drugih osoba ili životinja pre nego što koristite proizvod. Uverite se da osobe u okolnom području znaju da ćete koristiti proizvod.
- Pogledajte nacionalne ili lokalne zakone. Oni mogu sprečavati ili umanjiti načine za rad proizvoda u određenim slučajevima.
- Ne koristite proizvod ako ste iscrpljeni ili pod uticajem alkohola, droge ili lekova. Oni mogu uticati na vaš vid, budnost, koordinaciju ili prosuđivanje.
- Uvek je potrebno da imate dobar oslonac pod nogama i koristite proizvod samo na bezbednim i ujednačenim površinama. Klizave i nestabilne površine kao što su merdevine mogu da dovedu do gubitka ravnoteže ili kontrole.
- Ne koristite proizvod na visokim mestima, npr. na krovu.
- Fiksirajte proizvod tokom transporta.
- Koristite proizvod samo u preporučeno vreme. Poštujte lokalne propise. Obično je prihvatljivo raditi između 9:00 i 17:00, od ponedeljka do subote.
- Koristite proizvod na najmanjem mogućem gasu dovoljnom da se posao obavi.
- Uverite se da nema opasnosti od pada prilikom korišćenja proizvoda. Nemojte se naginjati kada radite sa proizvodom.

Bezbednost vibracija

Ovaj se proizvod primenjuje samo za povremeni rad. Kontinuirani ili redovan rad sa proizvodom može da prouzrokuje Rejnoov fenomen ili ekvivalentne medicinske probleme koji proističu iz izloženosti vibracijama. Pregledajte stanje šaka i prstiju ako kontinuirano ili redovno rukujete proizvodom. Ako na vašim šakama ili prstima postoje promene boje, imate bolove, peckanje ili utrnulost u šakama ili prstima, prekinite rad i odmah se obratite lekaru.

Bezbednosna uputstva za rukovanje duvačem

- Koristite proizvod samo za oduvavanje ili uklanjanje lišća i drugih otpadaka sa tla.
- Ne koristite uređaj ako ste umorni, bolesni ili pod uticajem alkohola, droge ili lekova.
- Ne dozvolite da prolaznici i životinje pridu na manje od 15 m (50 ft) od rukovaoca.
- Proizvod može da velikom brzinom izbacuje predmete, koji mogu da rikošetiraju i udare rukovaoca. Tako može da dođe do povrede oka.
- Nemojte okretati izduvnu cev u pravcu ljudi i životinja.
- Obavezno podignite dugu kosu iznad ramena.
- Zaustavite motor pre postavljanja ili uklanjanja dodatne opreme i delova.
- Ne koristite proizvod bez štitnika.
- Nemojte raditi sa proizvodom ako se osobe nalaze u radnom području. Zaustavite proizvod ako osoba uđe u radno područje.
- Ne koristite proizvod u prostoru sa nedovoljnim protokom vazduha. Nedovoljan protok vazduha može da izazove telesnu povredu ili smrt usled gušenja ili prisustva ugljen-monoksida.
- Prigušivač je vreo dok proizvod radi, kad se zaustavi i dok radi u praznom hodu. Budite oprezni u blizini zapaljivih materijala i isparenja.
- Ne dodirujte poklopac ulaza. Držite nakit i komotnu odeću dalje od poklopa ulaza.

- Pre korišćenja se uverite da je proizvod u dobrom stanju, naročito prigušivač, usisnik vazduha i filter za vazduh.
- Razlabavite otpatke na tlu metlom ili grabuljama pre korišćenja proizvoda.
- Poprskajte površinu na kojoj ćete raditi crevom ako je prljava.
- Da biste štedeli vodu, koristite proizvod kao zamenu za crevo.
- Vršite oduvavanje otpadaka na bezbedan način. Pazite na decu, životinje, otvorene prozore i vozila.
- Ne usmeravajte proizvod na biljke koje se lako oštećuju.
- Ne duvajte vazduh u pravcu predmeta kao što su zidovi, veliko kamenje, vozila i ograde.
- Ako radite u uglovima zatvorene prostorije, izduvavajte ka ugla ka centru radne oblasti. U suprotnom otpaci mogu da vas udare u lice i povrede vam oči.
- Koristite celo produženje mlaznice da biste držali mlaz vazduha blizu tla.
- Neophodno je da osobe u blizini nose zaštitu za oči.
- Posle korišćenja proizvoda, bacite otpatke u odgovarajući kontejner za otpad.

Bezbednosna uputstva za rukovanje usisivačem

- Ne dozvolite da se ventilator ošteti. Ne usisavajte velike i čvrste predmete kao što je drvo, konzerve, podloge od komadića gume i dugačke trake kanapa i sl.
- Ne dozvolite da cev usisivača udara o tlo.
- Zaustavite motor i odvojte kapicu svećice pre nego što uklonite materijal koji je izazvao zapušenje ili blokadu.

Lična zaštitna oprema

- Uvek koristite odgovarajuću ličnu zaštitnu opremu kada radite sa proizvodom. Lična zaštitna oprema ne poništava rizik od telesne povrede. Lična zaštitna oprema umanjuje stepen telesne povrede u slučaju pojave nesreće.

- Uvek koristite odobrenu zaštitu za oči tokom rada sa proizvodom.
- Nemojte raditi sa proizvodom dok ste bosonogi ili u otvorenoj obući. Uvek nosite nekližuće i čvrste čizme.
- Uvek nosite duge pantalone od čvrstog materijala.
- Ako je neophodno, koristite odobrene zaštitne rukavice.
- Nosite zaštitnu kacigu ako postoji mogućnost da vam predmeti padnu na glavu.
- Uvek koristite odobrenu zaštitu za uši tokom rada sa proizvodom. Izloženost buci tokom dužeg vremenskog perioda može dovesti do gubitka sluha izazvanog bukom.
- Uvek koristite odobrenu masku za prašinu kad koristite proizvod u prašnjavom okruženju.
- Vodite računa da vam u blizini bude komplet za prvu pomoć.
- Nemojte dodirivati delove prigušivača ako je prigušivač oštećen. Delovi mogu da sadrže izvesne kancerogene hemikalije.
- Neki modeli duvača imaju hvatač varnica. Čistite i menjajte ga u naznačenim vremenskim intervalima. Pogledajte odeljak Održavanje (*ODRŽAVANJE na stranici 273*).

Bezbednost oko goriva

- Nemojte pokretati proizvod ako na njemu postoje tragovi goriva ili motornog ulja. Uklonite neželjeno gorivo/ulje i sačekajte da se proizvod osuši. Uklonite neželjeno gorivo sa proizvoda.
- Ako prospete gorivo na odeću, odmah je presvucite.
- Nemojte dozvoliti da gorivo dospe na vaše telo, ono može izazvati telesnu povredu. Ako gorivo dospe na vaše telo, uklonite ga pomoću sapuna i vode.
- Nemojte pokretati motor ako prospete ulje ili gorivo na proizvod ili vaše telo.
- Nemojte pokretati proizvod ako postoji curenje iz motora. Redovno proveravajte da li postoji curenje iz motora.
- Budite oprezni pri rukovanju gorivom. Gorivo je zapaljivo a isparenja su eksplozivna i mogu izazvati telesne povrede ili smrt.
- Nemojte udisati isparenja goriva, to može izazvati telesnu povredu. Pobrinite se da ima dovoljno protoka vazduha.
- Nemojte pušiti u blizini goriva ili motora.
- Nemojte stavljati vruće predmete blizu goriva ili motora.
- Nemojte dolivati gorivo kada motor radi.
- Uverite se da je motor hladan pre dopunjavanja goriva.
- Pre dopunjavanja goriva, lagano otvorite poklopac rezervoara za gorivo i pažljivo otpustite pritisak.
- Nemojte dolivati gorivo u motor u zatvorenom prostoru. Nedovoljan protok vazduha može izazvati telesnu povredu ili smrt usled gušenja ili prisustva ugljen-monoksida.
- Pažljivo zategnite poklopac rezervoara za gorivo ili može doći do požara.
- Pomerite proizvod najmanje 3 m (10 stopa) od položaja gde ste punili rezervoar pre pokretanja.
- Nemojte sipati previše goriva u rezervoar za gorivo.
- Pobrinite se da ne može doći do curenja kada pomerite proizvod ili kantu za gorivo.
- Nemojte stavljati proizvod ili kantu za gorivo na mesto gde postoji otvoreni plamen, varnice ili pilot gorionik. Uverite se da u skladišnom prostoru nema otvorenog plamena.
- Koristite samo odobrene kante za gorivo prilikom prenošenja ili skladištenja goriva.
- Ispraznite rezervoar za gorivo pre dugotrajnog skladištenja. Pridržavajte se lokalnog zakona u pogledu mesta odlaganja goriva.
- Očistite proizvod pre dugotrajnog skladištenja.

Zaštitni uređaji na proizvodu

- Pobrinite se da redovno vršite održavanje proizvoda.
 - Time se produžava radni vek proizvoda.
 - Time se smanjuje rizik od nesreća.

Neka ovlašćeni prodavac ili ovlašćeni servisni centar redovno pregledaju proizvod kako bi izvršili podešavanja ili popravke.

- Nemojte koristiti proizvod na kojem je oštećena zaštitna oprema. Ako je proizvod oštećen, obratite se ovlašćenom servisnom centru.

Prekidač za zaustavljanje

Pokrenite motor. Uverite se da se motor zaustavio nakon što ste pomerili prekidač za zaustavljanje u položaj za zaustavljanje.

Prigušivač



UPOZORENJE: Ne dodirujte prigušivač ako je vreo. Prigušivač je vreo tokom rada i posle zaustavljanja motora. Dodir prigušivača može da izazove opekotine.

- Nemojte koristiti motor sa oštećenim prigušivačem. Oštećeni prigušivač povećava nivo buke i rizik od požara. Neka vam pri ruci bude aparat za gašenje požara.
- Redovno proveravajte da je prigušivač pričvršćen na proizvod.
- Nemojte dodirivati motor ili prigušivač dok motor radi. Nemojte dodirivati motor ili prigušivač neko vreme nakon zaustavljanja motora. Vruće površine mogu da izazovu telesnu povredu.
- Vruć prigušivač može da izazove požar. Budite naročito pažljivi ako koristite proizvod blizu zapaljivih tečnosti ili isparenja.

- Skinite kabl svečice pre skladištenja proizvoda kako biste osigurali da se motor ne može slučajno pokrenuti.

Vlasnik je odgovoran za vršenje svog neophodnog održavanja kako je navedeno u korisničkom uputstvu. Odvojite svečicu pre održavanja. Ne odvajajte svečicu ako ćete vršiti podešavanje karburatora.

Bezbednosna uputstva za održavanje



UPOZORENJE: Nepravilno održavanje može da izazove teško oštećenje motora i teške povrede.

SKLAPANJE



UPOZORENJE: Pročitajte poglavlje o bezbednosti pre sklapanja proizvoda.

Postavljanje gornje cevi duvača

1. Poravnajte prorez na gornjoj cevi duvača (A) sa jezičkom na ispustu duvača (B). (Sl. 23)
2. Pritisnite gornju cev duvača u potpunosti na ispust duvača.
3. Okrenite gornju cev duvača dok otvor na cevi ne bude poravnat sa navojima navrtke na ispustu duvača. (Sl. 24)
4. Stavite zavrtanj (C). (Sl. 25)
5. Pričvrstite cev tako što ćete okretati zavrtanj udesno odvijačem.

Postavljanje donje cevi duvača

1. Poravnajte proreze na donjoj cevi duvača (A) sa jezičcima na gornjoj cevi duvača (B). (Sl. 26)
2. Pritisnite donju cev duvača u potpunosti na gornju cev duvača.
3. Okrenite donju cev duvača u potpunosti dok se jezičak ne zakači na kraj proreza. (Sl. 27)

Postavljanje VX™ cevi duvača

1. Poravnajte proreze na VX™ cevi duvača (A) sa jezičcima na gornjoj cevi duvača (B). (Sl. 28)
2. Pritisnite VX™ cev duvača u potpunosti na gornju cev duvača.
3. Okrenite VX™ cev duvača u potpunosti dok se jezičak ne zakači na kraj proreza. (Sl. 29)

Postavljanje gornje cevi usisivača

1. Stavite vrh odvijača u rešetku usisnika usisivača. (Sl. 30)
2. Blago okrenite ručku odvijača prema prednjoj strani proizvoda kako biste otpustili rešetku.

3. Poklopac usisnika usisivača bi trebalo ostaviti otvoren sve dok se gornja cev usisivača ne postavi na mesto. (Sl. 31)
4. Poravnajte rebro na unutrašnjosti usisnika usisivača sa prorezima na gornjoj cevi usisivača.

Napomena: Poravnajte indikatore na otvoru usisnika usisivača i na gornjoj cevi usisivača.

5. Pritisnite gornju cev usisivača u potpunosti u usisnik usisivača.
6. Okrenite gornju cev usisivača u potpunosti udesno dok ne čujete klik zvuk. (Sl. 32)

Postavljanje donje cevi usisivača

1. Poravnajte prorez na donjoj cevi usisivača sa jezičkom na gornjoj cevi usisivača.
2. Pritisnite donju cev usisivača u potpunosti na gornju cev usisivača dok se jezičak ne zakači na kraj proreza. (Sl. 33)
3. Postavite zavrtanj.
4. Pričvrstite cev tako što ćete okretati zavrtanj udesno odvijačem. (Sl. 34)

Postavljanje cevi vreće za usisavanje

1. Poravnajte prorez na cevi vreće za usisavanje (A) sa jezičkom na ispustu duvača (B). (Sl. 35)
2. Pritisnite cev vreće za usisavanje u potpunosti na ispust duvača.
3. Okrenite cev vreće za usisavanje dok otvor na cevi ne bude poravnat sa navojima navrtke na ispustu duvača. (Sl. 36)
4. Stavite zavrtanj (C).
5. Pričvrstite cev tako što ćete okretati zavrtanj udesno odvijačem. (Sl. 37)

RUKOVANJE



UPOZORENJE: Pročitajte i shvatite poglavlje o bezbednosti pre rada sa proizvodom.

Gorivo

Korišćenje goriva



OPREZ: Ovaj proizvod ima dvotaktni motor. Koristite mešavinu benzina i ulja za dvotaktni motor. Pobrinite se da koristite ispravnu količinu ulja u mešavini. Nepravilna razmera benzina i ulja može prouzrokovati oštećenje motora.

Benzin



OPREZ: Nemojte koristiti benzin sa oktanskim brojem manjim od 90 RON (87 AKI). To može prouzrokovati oštećenje proizvoda.



OPREZ: Nemojte koristiti benzin sa više od 10% koncentracije etanola (E10). To može prouzrokovati oštećenje proizvoda.

- Uvek koristite sveži bezolovni benzin sa minimalnim oktanskim brojem od 90 RON (87 AKI) i sa manje od 10% koncentracije etanola (E10).
- Koristite benzin sa višim oktanskim brojem ako često koristite proizvod pri kontinuirano visokoj brzini motora.

Ulje za dvotaktni motor

- Koristite samo visokokvalitetno ulje za dvotaktni motor. Koristite samo ulje za vazdušno hlađeni motor.
- Nemojte koristiti druge tipove ulja.
- Razmera mešavine 50:1 (2%)

Benzin	Ulje
1 američki galon	77 ml (2,6 oz)
1 britanski galon	95 ml (3,2 oz)
5 l	100 ml (3,4 oz)

Pravljenje mešavine goriva

Napomena: Uvek koristite čistu kantu za gorivo kada mešate gorivo.

Napomena: Nemojte praviti zalihe mešavine goriva veće od količine potrebne za 30 dana rada.

1. Dodajte polovinu količine benzina.
2. Dodajte punu količinu ulja.
3. Promućkajte mešavinu goriva kako bi se sadržaj izmešao.
4. Dodajte preostalu količinu benzina.
5. Promućkajte mešavinu goriva kako bi se sadržaj izmešao.
6. Napunite rezervoar za gorivo.

Dolivanje goriva

- Uvek koristite kantu za gorivo sa ventilom protiv prosipanja.
- Ako se na kanti nalaze ostaci goriva, uklonite neželjeno gorivo i sačekajte da se kanta osuši.
- Uverite se da je područje oko poklopca rezervoara za gorivo čisto.
- Promućkajte kantu za gorivo pre dolivanja mešavine goriva u rezervoar za gorivo.

Pokretanje i zaustavljanje

Pre pokretanja motora

- Pregledajte proizvod kako biste se uverili da nema nedostajućih, oštećenih, labavih ili pohabanih delova.
- Pregledajte vreću za usisavanje. Uverite se da vreća za usisavanje nije oštećena i da je potezni zatvarač zatvoren.
- Pregledajte navrtke, zavrtnje i vijke.
- Pregledajte filter za vazduh.
- Proverite da li okidač gasa pravilno radi.
- Pregledajte prekidač za zaustavljanje kako biste se uverili da ispravno radi.
- Proverite da li ima curenja goriva iz proizvoda.

Pokretanje hladnog motora



UPOZORENJE: Ne namotavajte užu startera na ruku.



OPREZ: Ne pridržavajte proizvod stopalom.



OPREZ: Ne izvlačite užu startera do kraja. Nemojte puštati dršku užeta startera dok je užu izvučeno. To može prouzrokovati oštećenje proizvoda.

Napomena: Ako se motor zaustavi, prebacite kontrolu čoka u zatvoreni položaj i ponovite proceduru pokretanja.

1. Napunite rezervoar za gorivo čistom mešavinom.
2. Držite mašinu prisljenu na tlo levom rukom. Uverite se da je kraj duvača okrenut od ljudi, životinja, stakla i čvrstih predmeta.
3. Polako pritisnite pumpu za vazduh 10 puta.
4. Okrenite polugu čoka u položaj „PUN ČOK“ (FULL CHOKE).
5. Pritisnite i držite obarač gasa.
6. Brzo povlačite ručicu užeta startera dok motor ne pokuša da se pokrene, ali ne više od 3 puta.

Napomena: Ako je temperatura manja od 4 °C (40 °F), nastavite povlačiti užeta startera dok motor ne pokuša da se pokrene.

7. Okrenite polugu čoka u položaj „POLUČOK“ (HALF CHOKE).
8. Snažno povucite ručicu užeta startera dok motor ne počne da radi.
9. Pustite da motor radi 10 sekundi.
10. Okrenite polugu čoka u položaj „BEZ ČOKA“ (NO CHOKE).

Pokretanje toplog motora

1. Polako pritisnite pumpu za vazduh 10 puta.
2. Okrenite polugu čoka u položaj „POLUČOK“ (HALF CHOKE).
3. Snažno povucite ručicu užeta startera dok motor ne počne da radi.
4. Okrenite polugu čoka u položaj „BEZ ČOKA“ (NO CHOKE).

Za pokretanje mašine sa parnim čepom

Do parnog čepa dolazi kada gorivo u cevi za gorivo ili karburatoru ispari zbog povećane vrućine.

Proizvod može da ima parni čep ako ga ponovno ne uključite na okolnoj temperaturi višoj od 35°C (95°F) i ako je bio isključen od 15 do 45 minuta.

1. Pritiskajte pumpicu za zrak ponovo i ponovo 10–15 sekundi.
2. Okrenite polugu čoka u položaj „POLUČOK“ (HALF CHOKE).
3. Snažno povucite ručicu užeta startera dok motor ne počne da radi.
4. Pustite da se motor zagreje do 3 minute u praznom hodu.
5. Okrenite polugu čoka u položaj „BEZ ČOKA“ (NO CHOKE).

Zaustavljanje motora

- Pritisnite i pustite prekidač za zaustavljanje motora (STOP). Prekidač se automatski vraća u položaj „ON“ (uključeno). Sačekajte 7 sekundi pre nego što probate da ponovo pokrenete proizvod da biste se uverili da se prekidač resetovao.

Podešavanje VX™ cevi duvača

1. Poravnajte odgovarajući prerez (A ili B) na spoljnoj VX™ cevi duvača sa jezičkom (C) na unutrašnjoj cevi. (Sl. 38)

Napomena: Ne možete videti jezičak kada su cevi sklopljene. Morate osetiti položaj jezička dok pomerate spoljnu cev.

Napomena: Postavite jezičak u položaj „A“ za veliki otvor duvača. Veliki otvor duvača pomena šire oblasti svog lišća i drugog neželjenog materijala. Postavite jezičak u položaj „B“ za mali otvor duvača. Mali otvor duvača čini da je protok vazduha brži za čišćenje pukotina i ivica i za pomeranje teškog materijala kao što je vlažno lišće.

2. Okrenite spoljnu cev kao što je prikazano da biste deaktivirali jezičak iz proreza. (Sl. 39)
3. Pomerite spoljnu cev duž unutrašnje cevi da biste promenili položaj. (Sl. 40)
4. Okrenite spoljnu cev kao što je prikazano dok jezičak ne bude u potpunosti zakačen na kraj odgovarajuće lokacije proreza. (Sl. 41)

Radni položaj

- Duvač (Sl. 42)
- Usisivač (Sl. 43)

Usisavanje

Obucite potrebnu bezbednosnu opremu pre usisavanja.



UPOZORENJE: Uverite se da vreća za usisavanje nije oštećena i da je potezni zatvarač zatvoren pre upotrebe. Ne koristite oštećenu vreću. Time se sprečava povređivanje letećim otpacima. Rad levom rukom povećava rizik. Ne dodirujte prostor oko izduvnika.



UPOZORENJE: Ne pokrećite duvač ako je poklopac usisa otvoren ili oštećen (osim ako je postavljena cev za usisavanje).

- Vreća za usisavanje tokom rada duvača mora da se drži za traku za rame. Traku treba postaviti preko ramena.
- Pokrenite duvač. Pridržavajte se uputstava iz odeljka za pokretanje i zaustavljanje *Pokretanje i zaustavljanje na stranici 271*. Pažljivo pročitajte

Pražnjenje vreće za usisavanje



UPOZORENJE: Uvek pregledajte vreću za usisavanje. Uverite se da nije oštećena i da je potezni zatvarač zatvoren pre upotrebe. Nemojte koristiti oštećenu vreću. Postoji opasnost od povrede letećim otpacima.

1. Zaustavite proizvod.
2. Otvorite bočni potezni zatvarač.
3. Ispraznite vreću za usisavanje.
4. Zatvorite potezni zatvarač.

ODRŽAVANJE



UPOZORENJE: Pročitajte i shvatite poglavlje o bezbednosti pre čišćenja, popravke ili održavanja proizvoda.

Šema održavanja

Pobrinite se da se pridržavate šeme održavanja. Intervali su izračunati na osnovu svakodnevnog korišćenja proizvoda. Intervali su različiti ako ne koristite proizvod svakog dana. Vršite samo one radove održavanja koji se mogu pronaći u ovom uputstvu. Obratite se ovlašćenom servisnom centru u pogledu drugih radova održavanja koji nisu navedeni u ovom uputstvu.

Svakodnevno održavanje

- Očistite spoljne površine.
- Pregledajte rad komande brzine i prekidača gasa. Zamenite oštećene delove.
- Proverite prekidač za zaustavljanje. Zamenite ga ako je potrebno.
- Proverite brzinu praznog hoda.
- Očistite vazdušni filter. Zamenite ga ako je potrebno.
- Uverite se da poklopac usisa može da se zabravi u zatvorenom položaju. Uverite se da je rotor čist.
- Pritegnite sve vijke i zavrtnje.
- Uverite se da na kućištima nema naprslina.
- Uverite se da vreća za usisavanje nije oštećena i da potezni zatvarač radi. Zamenite vreću ako je potrebno.

Nedeljno održavanje

- Pregledajte stanje startera, užeta startera i opruge za zatezanje. Zamenite sve oštećene delove.
- Pregledajte stanje usisnika vazduha na starteru. Uklonite otpatke ako je usisnik vazduha zapušten.
- Očistite spoljni deo svećice. Izvadite je i pregledajte zazor između elektroda. Podesite zazor na 6 mm (0,024 in) ili zamenite svećicu.
- Očistite lopatice rotora.
- Očistite hvatač varnica i zamenite ga ako je potrebno (ne važi za prigušivače sa katalizatorom).
- Očistite oblast karburatora.
- Očistite vazdušni filter.

Mesečno održavanje

- Pregledajte ručicu užeta startera i užeta startera.
- Očistite rezervoar za gorivo.
- Očistite karburator i okolne površine.
- Očistite lopatice rotora.
- Pregledajte ima li na vodovima goriva naprslina i drugih znakova oštećenja. Zamenite ih ako je potrebno
- Promenite filter za gorivo u rezervoaru za gorivo.
- Pregledajte sve kablove i veze.
- Zamenite svećicu.
- Promenite filter za vazduh.

Godišnje održavanje

- Pregledajte svećicu.
- Očistite spoljne površine karburatora i prostor oko njega.
- Očistite sistem za hlađenje.
- Pregledajte hvatač varnica.
- Pregledajte filter za gorivo.
- Pregledajte da li postoji oštećenje na crevu za gorivo.
- Pregledajte sve kablove i veze.

Održavanje na 50 radnih sati

- Neka ovlašćeni servisni centar popravi ili zameni prigušivač.

Podešavanje brzine praznog hoda

Uverite se da je filter za vazduh čist i da je poklopac filtera za vazduh pričvršćen pre podešavanja brzine praznog hoda.

Prilagodite brzinu praznog hoda pomoću zavrtnja za podešavanje.
(Sl. 44)

Brzina praznog hoda je ispravna kada motor ravnomerno radi u svim položajima.

1. Okrećite zavrtnj za podešavanje brzine praznog hoda udesno ako želite veću brzinu.
2. Okrećite zavrtnj za podešavanje brzine praznog hoda ulevo ako želite manju brzinu.

Održavanje hvatača varnica

Očistite hvatač varnica pomoću žičane četke.

Čiščenje sistema za hlađenje

Očistite delove sistema za hlađenje pomoću četke.

Pregled svećice



OPREZ: Uvek koristite preporučeni tip svećice. Neodgovarajući tip svećice može da ošteti proizvod.

- Pregledajte svećicu ako je snaga motora mala, ako se teško pokreće ili nepravilno radi u praznom hodu.
- Da biste smanjili rizik od nakupljanja neželjenog materijala na elektrodama svećice, poštujujte sledeća uputstva:
 - a) Uverite se da je broj obrtaja na praznom hodu pravilno podešen.
 - b) Uverite se da je mešavina dobro napravljena.
 - c) Uverite se da je filter za vazduh čist.
- Ako je svećica prljava, očistite je i ujedno proverite da li je razmak između elektroda tačan. Pogledajte *TEHNIČKI PODACI* na stranici 274. (Sl. 45)

- Zamenite svećicu ako je potrebno.

Održavanje filtera za vazduh

Čišćenje filtera za vazduh

1. Skinite poklopac filtera za vazduh i uklonite filter za vazduh.
2. Očistite filter za vazduh toplom sapunjavom vodom. Uverite se da je filter za vazduh suv pre nego što ga ponovo postavite.
3. Zamenite filter za vazduh ako je previše zaprljan i ne može se propisno očistiti. Uvek zamenite oštećeni filter za vazduh.
4. Ako proizvod ima penasti filter za vazduh, nanesite ulje za filter za vazduh. Nanesite ulje za filter za vazduh samo na penasti filter. Nemojte nanositi ulje na filcani filter.

TEHNIČKI PODACI

	jedinica	GBV 322 (GHB28VPR)	GBV 322VX (GHB28VPR)
Specifikacije motora			
Pomeranje cilindra	cm ³	26	26
Razmak elektroda	mm	0,6	0,6
Zapremina rezervoara za gorivo	cm ³	500	500
Brzina praznog hoda	min ⁻¹	2800 – 3200	2800 – 3200
Maksimalna brzina okretanja	min ⁻¹	8000	8000
Izlazna snaga	kW	0,8	0,8
Svećica		Champion RCJ-6Y	Champion RCJ-6Y
Režim duvanja maksimalnom brzinom	min ⁻¹	8600	8600
Režim usisavanja maksimalnom brzinom	min ⁻¹	--	7500
Period trajnosti emisija	h	50	50
Podaci o buci i vibracijama			
Ekvivalentni nivo vibracija na drškama kad je uređaj opremljen cevima duvača i mlaznicom (originalnom) – pogledajte napomenu br. 1	m/s ²	7,5	7,5
Ekvivalentni nivo vibracija na drškama kad je uređaj opremljen cevima usisivača (originalnim), leva/desna – pogledajte napomenu br. 1	m/s ²	7,4	7,4

	jedinica	GBV 322 (GHB28VPR)	GBV 322VX (GHB28VPR)
Ekvivalentni nivo pritiska zvuka uređaja opremljenog cevima duvača i mlaznicom (originalnom) u uhu rukovaoca, meren prema ISO 22868 – pogledajte napomenu br. 3	dB(A)	95,6	95,6
Nivo zvučne snage, garantovan (L_{WA}) – pogledajte napomenu 2	dB(A)	112	112
Nivo zvučne snage, izmeren – pogledajte napomenu 2	dB(A)	109	109
Dimenzije proizvoda			
Težina	kg	4,4	4,5
Napomena 1: Podaci iz izveštaja za ekvivalentni nivo vibracija imaju tipičnu statističku disperziju (standardno odstupanje) od 1,5 m/s ² .			
Napomena 2: Emisije buke u životnoj sredini merene kao zvučna snaga (L_{WA}) u skladu sa direktivom 2000/14/ EZ. Izveštajni nivo zvučne snage za mašinu meren je sa originalnim priključkom koji daje najviši nivo. Razlika između garantovanog i izmerenog nivoa zvučne snage je da garantovana zvučna snaga takođe obuhvata raspršenje rezultata merenja i razlike između različitih mašina istog modela u skladu sa Direktivom 2000/14/EZ.			
Napomena 3: Izveštajni podaci za ekvivalentni nivo zvučnog pritiska za mašinu uključuju tipično statističko raspršenje (standardno odstupanje) od 3 dB (A).			

Ventilator	jedinica	GBV 322	GBV 322VX
Tip		Radijalni ventilator	Radijalni ventilator
Maksimalna brzina vazduha, standardna mlaznica	km/h	322	-
Maks. brzina vazduha, VX™ cev duvača*	km/h	-	370
Zapremina vazduha u režimu duvanja	cfm	370	450
Zapremina vazduha u režimu usisavanja	cfm	490	490
Odnos usitnjavanja		10:1	16:1
*opciona oprema			

SADRŽAJ EZ DEKLARACIJE O USAGLAŠENOSTI

Mi, kompanija Husqvarna AB, SE 561 82 Huskvarna, ŠVEDSKA, izjavljujemo pod sopstvenom odgovornošću da je predstavljeni proizvod:

Opis	Benzinski duvač/duvač usisivač lišća
Marka	McCulloch
Platforma/tip/model	Platforma GHB28VPR, predstavljeni model GBV 322, GBV 322VX

Opis	Benzinski duvač/duvač usisivač lišća
Serijski broj	Serijski broj od 2018. i nadalje

u potpunosti usaglašen sa sledećim EU direktivama i propisima:

Direktiva/propis	Opis
2006/42/EZ	„koji se odnose na mašine“

Direktiva/propis	Opis
2014/30/EU	„koji se odnose na elektromagnetsku kompatibilnost“
2000/14/EZ	„koji se odnose na buku u otvorenom prostoru“

Primenjeni harmonizovani standardi i/ili tehničke specifikacije su sledeće: EN ISO 12100, EN 15503, CISPR 12, ISO 14982

U skladu sa Direktivom 2000/14/EZ, Aneks V, deklarirane vrednosti jačine zvuka su izložene u odeljku o tehničkim podacima u ovom uputstvu i u potpisanoj EZ Deklaraciji o usaglašenosti.

TÜV Rheinland N.A. je izvršio volonterski pregled u ime kompanije Husqvarna AB, te je pružio sertifikat o usaglašenosti sa Direktivom Saveta Evrope 2006/42/EZ za mašineriju.

Sertifikat, kako je obezbeđen na potpisanoj EZ Deklaraciji o usaglašenosti, primenjuje se na sve proizvodne lokacije i zemlje porekla, kako je navedeno na proizvodu.

Isporučeni benzinski duvač/duvač usisivač lišća usaglašen je sa primerkom koji je prošao pregled.

Innehåll

INTRODUKTION.....	277	UNDERHÅLL.....	283
SÄKERHET.....	278	TEKNISKA DATA.....	284
MONTERING.....	281	INNEHÅLLET I EG-FÖRSÅKRAN OM	
ANVÄNDNING.....	281	ÖVERENSSTÄMMELSE.....	286

INTRODUKTION

Bruksanvisning

Det ursprungliga språket i denna bruksanvisning är engelska. Bruksanvisningar på andra språk är översättningar från engelska.

Översikt

(Fig. 1.)

1. Axelrem
2. Gasreglage
3. Stoppkontakt
4. Farthållare
5. Fläkthus
6. Bränsletankslock
7. Luftfilter
8. Chokereglage
9. Bränslepump
10. Inloppsskydd
11. Sughandtag
12. Mulchingkniv (GBV 322VX)
13. Fläkthjul
14. Nedre blåsarrör (GBV 322)
15. Förlängningsbart™ blåsarröret (GBV 322VX)
16. Övre blåsarrör
17. Bult
18. Ljuddämpare
19. Jordledare
20. Startsnörets handtag
21. Startanordning
22. Handtag
23. Kombinationsverktyg
24. Slang till uppsamlingspåse
25. Uppsamlingspåse
26. Sugrör i två sektioner
27. Skruv
28. Bruksanvisning

Symboler på produkten

(Fig. 2.) Varning

(Fig. 3.) Läs den här bruksanvisningen

(Fig. 4.) Använd godkänt huvudskydd

(Fig. 5.) Använd godkända hörselskydd

Använd godkänt ögonskydd (ANSI Z87.1 eller motsvarande)

(Fig. 6.) Använd godkända skyddsstövlar och handskar

(Fig. 7.) Bär överdel med långa ärmar och byxor

(Fig. 8.) Använd inte smycken när du använder produkten.

(Fig. 9.) Använd spetsen på skruvmejseln för att lossa spärren.

(Fig. 10.) Sug inte upp stenar, grus, metall, trasigt glas, gummigranulat eller andra material som kan skada fläkthjulet.

(Fig. 11.) Produkten kan få föremål att skjutas ut, vilket kan orsaka skador på ögonen

(Fig. 12.) Gå inte nära fläkthjulet när det snurrar

(Fig. 13.) Full choke

(Fig. 14.) Halv choke

(Fig. 15.) Ingen choke

(Fig. 16.) Se till att långt hår sätts upp ovanför axlarna.

(Fig. 17.) Säkerhetsavstånd

(Fig. 18.) Garanterad ljudeffektivitet

(Fig. 19.) Produkten överensstämmer med gällande EC-direktiv.

(Fig. 20.) Produkten överensstämmer med gällande EAC-direktiv.

(Fig. 21.) Produkten överensstämmer med gällande ukrainska direktiv.

Notera: Övriga symboler/dekaler på produkten avser specifika krav för certifieringar på andra kommersiella marknader.

EU V



WARNING: Manipulering av motorn upphäver EG-typgodkännandet för den här produkten.

Produktansvar

Enligt lagstiftningen för produktansvar ansvarar vi inte för skador som vår produkt orsakar om:

SÄKERHET

Säkerhetsdefinitioner

Definitionerna nedan beskriver allvarlighetsgraden för varje signalord.



WARNING: Personskador.



OBSERVERA: Skador på produkten.

Notera: Denna information gör produkten lättare att använda.

Allmänna säkerhetsanvisningar

- Använd produkten på rätt sätt. Skador eller dödsfall är ett möjligt resultat av felaktig användning. Använd endast produkten för arbetsuppgifterna som finns i denna bruksanvisning. Använd inte produkten till andra uppgifter.
- Följ instruktionerna i denna bruksanvisning. Följ säkerhetssymbolerna och säkerhetsinstruktionerna. Om användaren inte följer instruktionerna och symbolerna är skador eller dödsfall ett möjligt resultat.
- Spara den här bruksanvisningen. Använd instruktionerna för att sätta ihop, använda och förvara din produkt i gott skick. Använd instruktionerna för korrekt installation av tillbehör och extrautrustning. Använd endast godkända tillbehör och extrautrustning.
- Använd inte en skadad produkt. Följ underhållsschemat. Utför endast det underhållsarbete som du hittar instruktioner om i den här bruksanvisningen. Godkända servicecenter måste göra allt annat underhållsarbete.
- Den här bruksanvisningen kan inte inkludera alla situationer som kan uppstå när du använder

- produkten repareras felaktigt.
- produkten repareras med delar som inte kommer från tillverkaren eller inte har godkänts av tillverkaren.
- produkten har ett tillbehör som inte kommer från tillverkaren eller inte har godkänts av tillverkaren.
- produkten inte repareras vid ett godkänt servicecenter eller av en godkänd person.

produkten. Var försiktig och använd sunt förnuft. Använd inte produkten eller utför underhåll på produkten om du inte är trygg med situationen. Tala med en produktextpert, din återförsäljare, din serviceverkstad eller ett godkänt servicecenter för att få information.

- Koppla ur tändstiftskabeln innan du monterar produkten, ställer undan produkten för förvaring eller utför underhåll.
- Använd inte produkten om den ändras från dess första specifikation. Byt inte ut en del av produkten utan tillverkarens godkännande. Använd endast delar som är godkända av tillverkaren. Skador eller dödsfall är ett möjligt resultat av felaktigt underhåll.
- Undvik att andas in rök från motorn. Långvarig inandning av motorns avgaser utgör en hälsorisk.
- Starta inte produkten inomhus eller nära brandfarligt material. Avgaserna är heta och kan medföra gnistor som kan orsaka brand. Otillräckligt lufflöde kan orsaka skador eller dödsfall på grund av kvävning eller kolmonoxidförgiftning.
- När du använder denna produkt skapar motorn ett elektromagnetiskt fält. Det elektromagnetiska fältet kan orsaka skador på medicinska implantat. Tala med din läkare och tillverkaren av eventuella medicinska implantat innan du använder produkten.
- Låt inte barn använda produkten. Låt inte personer utan kännedom om instruktionerna använda produkten.
- Se till att du alltid övervakar en person med nedsatt fysisk eller mental kapacitet som använder produkten. En vuxen person måste vara närvarande hela tiden.
- Lås in produkten på en plats där barn och obehöriga personer inte har åtkomst.
- Produkten kan skjuta ut föremål och orsaka skador. Följ säkerhetsinstruktionerna för att minska risken för personskador eller dödsfall.
- Lämnna inte produkten när motorn är på.
- Användaren av produkten är ansvarig om en olycka inträffar.

- Kontrollera att delarna inte är skadade innan du använder produkten.
- Se till att du står minst 15 m från andra personer eller djur innan du använder produkten. Se till att personer i närheten vet att du kommer att använda produkten.
- Följ nationella eller lokala lagar. De kan förhindra eller minska produktens funktion under vissa förhållanden.
- Använd inte produkten om du är trött eller om du är påverkad av alkohol, droger eller läkemedel. Din syn, ditt omdöme eller kroppskontroll kan ha påverkats.

Vibrationssäkerhet

Denna produkt ska endast användas sporadiskt. Kontinuerlig eller återkommande drift av produkten kan orsaka "vita fingrar" eller motsvarande medicinska problem av vibrationer. Undersök dina händer och fingrar om du använder produkten kontinuerligt eller regelbundet. Om fingrar och händer har missfärgning har smärta, rykning längs ryggraden varje gång någon nämner häckklippning, eller är numb, avbryta arbetet och tala med en läkare omedelbart.

Säkerhetsinstruktioner för användande av blåsaren

- Använd produkten endast för att blåsa bort eller ta upp löv och annat skräp som ligger på marken.
- Använd aldrig produkten om du är trött, sjuk eller om du är påverkad av alkohol, droger eller läkemedel.
- Låt inte andra människor eller djur vistas närmare än 15 meter från användaren.
- Produkten kan kasta ut föremål i hög hastighet som kan studsas och träffa användaren. Detta kan orsaka ögonskador.
- Rikta inte blåsarens munstycke mot andra människor eller djur.
- Se till att långt hår sätts upp ovanför axlarna.
- Stanna motorn innan du monterar eller demonterar tillbehör eller andra komponenter.
- Använd inte produkten utan dess skydd.
- Använd inte produkten om det finns personer i arbetsområdet. Stoppa produkten om en person går in i arbetsområdet.
- Använd inte produkten i utrymmen med otillräckligt luftflöde. Om luftflödet är otillräckligt kan det orsaka skador eller dödsfall på grund av kvävning eller kolmonoxidförgiftning.
- Ljuddämparen är mycket varm när produkten är på, när den har stannat och när den går på tomgång. Var försiktig i närheten av brandfarliga material och brandfarliga gaser.
- Rör inte området vid inloppsskyddet. Håll smycken och löst hängande klädesplagg borta från inloppet.
- Ha alltid bra fotfäste och använd produkten endast på säkra och jämna ytor. Hala eller instabila ytor,

t.ex. stegar, kan få dig att tappa balansen eller kontrollen.

- Använd inte produkten på höga platser, t.ex. på ett tak.
- Säkra produkten under transport.
- Använd produkten endast vid rekommenderade tider. Följ lokala bestämmelser. De vanliga rekommendationerna är kl. 9.00 till 17.00, måndag till lördag.
- Använd produkten med lägsta möjliga gaspådrag för att få arbetet gjort.
- Se till att du inte kan falla när du använder produkten. Luta dig inte när du använder produkten.
- Kontrollera att produkten är i gott skick före användning, särskilt ljuddämparen, luftintaget och luftfiltret.
- Använd en kratta eller en borste för att lossa skräp på marken innan produkten används.
- Om arbetsområdet är smutsigt kan du spruta rent det med en slang.
- Använd produkten som ett alternativ till en slang för att spara vatten.
- Blås skräp på ett säkert sätt. Håll uppsikt efter barn, djur, öppna fönster och fordon.
- Rikta inte produkten mot växter som lätt kan skadas.
- Blås inte luften i riktning mot föremål som väggar, stora stenar, fordon och staket.
- Om du arbetar i innerhörn blåser du från hörnet och mot mitten av arbetsområdet. I annat fall kan skräp träffa dig i ansiktet och orsaka ögonskador.
- Använd hela förlängningsröret för att hålla luftströmmen nära marken.
- Åskådare måste använda ögonskydd.
- Släng skräpet i avfallsbehållare efter användning av produkten.

Säkerhetsinstruktioner för användning av sugen

- Förhindra skador på fläkten. Sug inte upp stora, fasta föremål som trä, burkar, gummigranulat eller stora bitar snöre.
- Låt inte sugröret slå i marken.
- Stanna motorn och koppla ur tändhatten innan du tar bort något som fastnat eller tapper till röret.

Personlig skyddsutrustning

- Använd alltid rätt personlig skyddsutrustning när du använder produkten. Den personliga skyddsutrustningen eliminerar inte risken för skador. Den personliga skyddsutrustningen minskar skadans allvarlighetsgrad om en olycka inträffar.
- Använd alltid godkänt ögonskydd när du använder produkten.
- Använd inte produkten barfota eller med öppna skor. Använd alltid kraftiga halksäkra kängor.
- Använd tjockare långbyxor.

- Om det är nödvändigt bör du använda godkända skyddshandskar.
- Använd hjälm om det finns en risk att föremål faller ned på huvudet.
- Använd alltid godkänt hörselskydd när du använder produkten. Oljud under en längre period kan leda till bullerorsakad hörselnedsättning.
- Använd alltid en godkänd ansiktsmask när du använder produkten i dammiga miljöer.
- Se till att du har första hjälpen i närheten.

Säkerhetsanordningar på produkten

- Se till att du regelbundet utför underhåll på produkten.
 - Produktens livslängd ökar.
 - Risken för olyckor minskar.

Låt en auktoriserad återförsäljare eller ett godkänt servicecenter regelbundet undersöka produkten för att göra justeringar eller reparationer.

- Använd inte en produkt med skadad skyddsutrustning. Om produkten är skadad bör du tala med ett godkänt servicecenter.

Stoppkontakt

Starta motorn. Kontrollera att motorn stängs av när stoppreglaget flyttas till stoppläget.

Ljuddämpare



VARNING: Rör inte ljuddämparen om den är varm. Ljuddämparen är mycket varm när motorn går och när den har stannat. Om du rör ljuddämparen kan det orsaka brännskador.

- Använd inte en motor med defekt ljuddämpare. En defekt ljuddämpare ökar ljudnivån och brandrisken. Ha en brandsläckare i närheten.
- Kontrollera regelbundet att ljuddämparen sitter fast på produkten.
- Rör inte motorn eller ljuddämparen när motorn är på. Rör inte motorn eller ljuddämparen förrän en stund efter att motorn stannat. Heta ytor kan orsaka skador.
- En varm ljuddämpare kan orsaka brand. Var försiktig om du använder produkten nära brandfarliga vätskor eller ångor.
- Rör inte ljuddämparens delar om ljuddämparen är skadad. Delarna kan innehålla vissa cancerframkallande kemikalier.
- Vissa blåsare är har ett gnistskydd. Rengör och byt skärmen vid angivna intervaller. Läs mer i avsnittet om underhåll (*UNDERHÅLL på sida 283*).

Bränslesäkerhet

- Starta inte produkten om det finns bränsle eller motorolja på produkten. Ta bort det oönskade

bränslet/oljan och låt produkten torka. Ta bort oönskat bränsle från produkten.

- Om du spillt bränsle på kläderna skall dessa bytas omedelbart.
- Se till att inte få bränsle på kroppen, det kan orsaka personskador. Om du får bränsle på kroppen använder du tvål och vatten för att ta bort bränslet.
- Starta inte motorn om du spiller olja eller bränsle på produkten eller på kroppen.
- Starta inte produkten om motorn har en läcka. Undersök regelbundet om motorn läcker.
- Var försiktig med bränsle. Bränsle är brandfarligt och ångorna är explosiva och kan orsaka skador eller dödsfall.
- Undvik att andas in bränsleångor då det kan orsaka personskador. Se till att det finns tillräckligt luftflöde.
- Rök inte i närheten av bränslet eller motorn.
- Placera inga varma föremål i närheten av bränslet eller motorn.
- Fyll inte på bränsle när motorn är på.
- Se till att motorn har svalnat innan du fyller på bränsle.
- Innan du fyller på bränsle bör du öppna bränsletanklocket långsamt och försiktigt släppa på trycket.
- Fyll inte på bränsle i motorn inomhus. Otillräckligt luftflöde kan orsaka skador eller dödsfall på grund av kvävning eller kolmonoxidförgiftning.
- Dra åt tanklocket försiktigt, annars kan brand uppstå.
- Flytta produkten minst 3 m från den plats där du fyllde på tanken innan du startar den.
- Fyll inte på med för mycket bränsle i bränsletanken.
- Kontrollera att läckage inte kan uppstå när du flyttar produkten eller bränslebehållaren.
- Placera inte produkten eller bränslebehållaren där det finns öppen eld, gnistor eller tändlagor. Se till att det inte finns någon öppen eld i förvaringsutrymmet.
- Använd endast godkända behållare när du flyttar bränslet eller ställer undan bränslet för förvaring.
- Töm bränsletanken före långtidsförvaring. Följ lokala lagar om var du kan kasta bränsle.
- Rengör produkten före långtidsförvaring.
- Ta bort tändstiftskabeln innan du ställer undan produkten för förvaring så att motorn inte oavsiktligt startar.

Säkerhetsinstruktioner för underhåll



VARNING: Felaktigt underhåll kan leda till svåra motorskador eller allvarliga personskador.

Ägaren av maskinen är ansvarig för att utföra allt nödvändigt underhåll som anges i bruksanvisningen. Koppla loss tändstiftet innan underhållsarbetet. Koppla inte loss tändstiftet innan du utför justeringar av förgasaren.

MONTERING



VARNING: Läs säkerhetskapitlet innan du monterar produkten.

Montering av det övre blåsarrröret

1. Rikta in spåret på det övre blåsarrröret (A) mot tappen i blåsutloppet (B). (Fig. 23.)
2. Skjut in det övre blåsarrröret helt mot blåsutloppet.
3. Vrid det övre blåsarrröret tills hålet i röret är i linje med gångorna i muttern i blåsutloppet. (Fig. 24.)
4. Montera skruven (C). (Fig. 25.)
5. Vrid skruven medurs med en skruvmejsel för att fästa röret.

Montering av det nedre blåsarrröret

1. Rätta in spåren på det nedre blåsarrröret (A) mot tapparna på det övre (B). (Fig. 26.)
2. Skjut det nedre blåsarrröret helt över det övre.
3. Vrid det nedre blåsarrröret helt tills tappen fäster i slutet av spåret. (Fig. 27.)

Montering av det förlängningsbara™ blåsarrröret

1. Passa in skårorna på det förlängningsbara™ blåsarrröret (A) mot tapparna på det övre blåsarrröret (B). (Fig. 28.)
2. Tryck det förlängningsbara™ blåsarrröret helt över det övre.
3. Vrid det förlängningsbara™ blåsarrröret helt tills tappen fäster i slutet av spåret. (Fig. 29.)

Montering av sugröret

1. Sätt spetsen på en skruvmejsel i luftintagets låsspärr. (Fig. 30.)

2. Böj försiktigt skruvmejselns handtag mot produktens framsida för att lossa spårren.
3. Håll luftintagets skydd öppet tills det övre sugröret är på plats. (Fig. 31.)
4. Rätta in styrtappen på insidan av luftintaget mot spåren på det övre sugröret.

Notera: Rikta in indikatorerna vid luftintagets öppning mot det övre sugröret.

5. Tryck in det övre sugröret helt i luftintaget.
6. Vrid det övre sugröret medurs ända tills du känner ett klick. (Fig. 32.)

Montering av det nedre sugröret

1. Rikta in spåret på det nedre sugröret mot tappen på det övre sugröret.
2. Skjut det nedre sugröret helt mot det övre sugröret tills tappen fäster i slutet av spåret. (Fig. 33.)
3. Montera skruven.
4. Vrid skruven medurs med en skruvmejsel för att fästa röret. (Fig. 34.)

Montering av uppsamlingspåsens rör

1. Rikta in spåret på uppsamlingspåsens rör (A) mot tappen i blåsutloppet (B). (Fig. 35.)
2. Skjut in uppsamlingspåsens rör ända mot blåsutloppet.
3. Vrid uppsamlingspåsens rör tills hålet i röret är i linje med gångorna i muttern i blåsutloppet. (Fig. 36.)
4. Montera skruven (C).
5. Vrid skruven medurs med en skruvmejsel för att fästa röret. (Fig. 37.)

ANVÄNDNING



VARNING: Läs och förstå säkerhetskapitlet innan du använder produkten.

Bränsle

Så använder du bränsle



OBSERVERA: Denna produkt har en tvåtaktsmotor. Använd en blandning av bensin och tvåtaktsmotorolja. Se till att använda rätt mängd olja i blandningen. Ett

felaktigt blandningsförhållande av bensin och olja kan skada motorn.

Bensin



OBSERVERA: Använd inte bensin med ett oktantal lägre än 90 RON (87 AKI). Det kan orsaka skador på produkten.



OBSERVERA: Använd inte bensin med mer än 10 % etanol (E10). Det kan orsaka skador på produkten.

- Använd alltid ny blyfri bensin med ett oktantal på minst 90 RON (87 AKI) och med mindre än 10 % etanol (E10).
- Använd bensin med ett högre oktantal om du ofta använder produkten vid kontinuerligt högt motorvarvtal.

Tvåtaktsmotorolja

- Använd endast tvåtaktsmotorolja av hög kvalitet. Använd endast luftkyld motorolja.
- Använd inga andra typer av olja.
- Blandningsförhållande 50:1 (2 %)

Bensin	Olja
3,79 liter	77 ml
4,55 liter	95 ml
5 l	100 ml

Så gör du bränsleblandningen

Notera: Använd alltid en ren bränslebehållare när du blandar bränslet.

Notera: Blanda inte mer bränsleblandning än för 30 dagar.

1. Tillsätt hälften av bensinen.
2. Tillsätt all olja.
3. Skaka bränsleblandningen så att innehållet blandas.
4. Tillsätt resten av bensinen.
5. Skaka bränsleblandningen så att innehållet blandas.
6. Fyll bränsletanken.

Så tillsätter du bränsle

- Använd alltid en bränslebehållare med spillskydd.
- Om det kommer bränsle på behållaren tar du bort det oönskade bränslet och låter behållaren torka.
- Se till att området i närheten av bränsletanklocket är rent.
- Skaka bränslebehållaren innan du tillsätter bränsleblandningen i bränsletanken.

Så startar och stoppar du

Innan du startar motorn

- Genomsök produkten efter saknade, skadade, lösa eller slitna delar.
- Undersök uppsamlingspåsen. Se till att uppsamlingspåsen inte är skadad och att blytlåset är stängt.
- Undersök muttrar, skruvar och bultar.
- Undersök luftfiltret.
- Undersök om gasreglaget fungerar korrekt.
- Undersök om stoppreglaget fungerar korrekt.

- Genomsök produkten efter bränsleläckor.

Starta kall motor



VARNING: Vira inte startsnöret runt armen.



OBSERVERA: Håll inte produkten med foten.



OBSERVERA: Dra inte ut startsnöret ända ut. Släpp inte startsnörets handtag när startsnöret är utdraget. Det kan orsaka skador på produkten.

Notera: Om motorn stannar skjuter du chokereglaget till stängt läge och utför startproceduren igen.

1. Fyll bränsletanken med en ren bränsleblandning.
2. Använd vänster hand för att hålla maskinen på marken. Se till att blåsarens ände pekar bort från personer, djur, glas och solida föremål.
3. Tryck långsamt på bränslepumpblåsan 10 gånger.
4. Flytta choken till läget FULL CHOKE.
5. Tryck på och håll inne gasreglaget
6. Dra snabbt i startsnörets handtag tills motorn försöker starta, men inte mer än tre gånger.

Notera: Om temperaturen ligger under 4 °C, fortsätt dra i starthandtaget tills motorn försöker starta.

7. Flytta choken till läget HALV CHOKE.
8. Dra snabbt i startsnörets handtag tills motorn startar.
9. Låt motorn gå i 10 sekunder.
10. Flytta chokereglaget till läget INGEN CHOKE.

Så startar du en varm motor

1. Tryck långsamt på bränslepumpblåsan 10 gånger.
2. Flytta choken till läget HALV CHOKE.
3. Dra snabbt i startsnörets handtag tills motorn startar.
4. Flytta chokereglaget till läget INGEN CHOKE.

Starta en motor med ånglås

Ånglås uppstår när bränslet i bränsleledningen eller förgasaren förångas på grund av hög värme.

Ånglås kan ha uppstått i produkten om det inte går att starta om den när den omgivande temperaturen är över 35 °C (95 °F) och den har varit avstängd i 15-45 minuter.

1. Tryck på bränslepumpblåsan om och om igen i 10-15 sekunder.
2. Flytta choken till läget HALV CHOKE.

3. Dra snabbt i startsnörets handtag tills motorn startar.
4. Låt motorn värmas upp under tre minuter under tomgångsvarvtal.
5. Flytta chokereglaget till läget INGEN CHOKE.

Stänga av motorn

- Tryck på och släpp motorns STOPP-knapp. Knappen återgår automatiskt till PÅ-läget. Vänta 7 sekunder innan du försöker starta om produkten för att kontrollera att knappen återställs.

Justera det förlängningsbara[™] blåsarröret

1. Rikta in rätt spår (A eller B) på det yttre förlängningsbara[™] blåsarröret mot tappen (C) på innersröret. (Fig. 38.)

Notera: Du kan inte se tappen när rören är monterade. Du måste känna tappens läge när du flyttar yttorröret.

Notera: Sätt tappen i läge A för en stor blåsaröppning. En stor blåsaröppning täcker stora områden av torra löv och annat oönskat material. Sätt tappen i läge B för en liten blåsaröppning. En liten blåsaröppning ger ett snabbare luftflöde och passar vid rengöring av sprickor och kanter samt vid flytt av tunga material, som blöta löv.

2. Vrid det yttre röret på följande sätt för att frikoppla tappen ur spåret. (Fig. 39.)
3. Flytta yttorröret längs det inre röret för att ändra position. (Fig. 40.)
4. Vrid det yttre röret som på bilden tills tappen har nått fram till rätt spår. (Fig. 41.)

Driftläge

- Blåsare (Fig. 42.)
- Sug (Fig. 43.)

UNDERHÅLL



WARNING: Läs och förstå säkerhetskapitlet innan du rengör, reparerar eller utför underhåll på produkten.

Underhållsschema

Se till att du följer underhållsschemat. Intervallen beräknas utifrån daglig användning av produkten. Intervallen är annorlunda om du inte använder produkten varje dag. Utför endast det underhållsarbete som finns i den här bruksanvisningen. Tala med ett godkänt servicecenter om andra underhållsarbeten som inte finns i den här bruksanvisningen.

Dagligt underhåll

Så suger du

Innan du suger bör du sätta på dig den nödvändiga säkerhetsutrustningen.



WARNING: Se till att uppsamlingspåsen inte är skadad och att blixtlåset är stängt innan användning. Använd inte en påse som är skadad. Detta förhindrar skador orsakade av flygande skräp. Användning med vänster hand ökar risken. Låt inte din kropp vidröra området runt avgasutloppet.



WARNING: Starta inte blåsaren när inloppsskyddet är öppet eller skadat (förutom när sugröret är monterat).

- När blåsaren används måste uppsamlingspåsen bäras upp av axelremmen. Remmen måste bäras över axeln.
- Starta blåsaren. Följ instruktionerna i avsnittet för start och stopp *Så startar och stoppar du på sida 282*. Läs igenom säkerhetsinstruktionerna *SÄKERHET på sida 278*.

Så tömmer du uppsamlingspåsen



WARNING: Undersök alltid uppsamlingspåsen. Se till att den inte är skadad och att blixtlåset är stängt innan användning. Använd inte en skadad påse. Skräp som flyger omkring utgör en skaderisk. Var försiktig om du använder produkten med vänster hand. Rör inte vid området runt avgasutloppet.

1. Stäng av produkten.
2. Öppna blixtlåset på sidan.
3. Töm uppsamlingspåsen.
4. Stäng blixtlåset.

- Rengör utvändiga ytor.
- Undersök att varvtalsregleringen och gasreglaget fungerar. Byt ut skadade delar.
- Undersök stoppkontakten. Byt ut den vid behov.
- Undersök tomgångsvarvtalet.
- Rengör luftfiltret. Byt ut den vid behov.
- Se till att inloppsskyddet kan låsas i stängt läge. Se till att fläkthjulet är rent.
- Dra åt alla muttrar och skruvar.
- Se till att höljet är fritt från sprickor.
- Se till att uppsamlingspåsen inte är skadad och att blixtlåset fungerar. Byt ut påsen vid behov.

Underhåll varje vecka

- Undersök skicket på startanordningen, startsnöret och spännfjäders. Byt ut alla skadade delar.
- Kontrollera skicket på startanordningens luftintag. Ta bort skräp om luftintaget är igentäppt.
- Rengör tändstiftet utvändigt. Ta bort det och kontrollera elektrodavståndet. Justera avståndet till 6 mm eller byt ut tändstiftet.
- Rengör bladen på fläkthjulet.
- Rengör gnistskyddet och byt ut det vid behov (inte på ljuddämpare med katalysator).
- Rengör förgasarmrådet
- Rengör luftfiltret.

Underhåll varje månad

- Undersök startsnörets handtag och startsnöret.
- Rengör bränsletanken.
- Rengör förgasaren och området runt omkring.
- Rengör bladen på fläkthjulet.
- Undersök bränsleledningarna och leta efter sprickor eller andra skador. Byt ut filtret vid behov
- Byt ut bränslefiltret i bränsletanken.
- Undersök alla kablar och anslutningar.
- Byt ut tändstiftet.
- Byt luftfilter.

Årligt underhåll

- Undersök tändstiftet.
- Rengör utvändiga ytor på förgasaren och angränsande områden.
- Rengör kylsystemet.
- Undersök gnistskyddet.
- Undersök bränslefiltret.
- Undersök bränsleslangen avseende skador.
- Undersök alla kablar och anslutningar.

Underhåll efter 50 timmar

- Låt ett godkänt servicecenter reparera eller byta ut ljuddämparen.

Så justerar du tomgångsvarvtalet

Se till att luftfiltret är rent och att luftfilterkåpan sitter fast innan du justerar tomgångsvarvtalet.

Justera tomgångsvarvtalet med justerskruven för tomgång. (Fig. 44.)

Tomgångsvarvtalet är korrekt när motorn arbetar jämnt i alla positioner.

1. Vrid justerskruven medurs för högre hastighet.
2. Vrid justerskruven moturs för lägre varvtal.

Så utför du underhåll på gnistskyddet

Använd en stålborste för att rengöra gnistskyddet.

Så rengör du kylsystemet

Rengör kylsystemets delar med en borste.

Så undersöker du tändstiftet



OBSERVERA: Använd alltid rekommenderad tändstiftstyp. Fel typ av tändstift kan orsaka skador på produkten.

- Undersök tändstiftet om motorn har låg effekt, är svår att starta eller inte fungerar korrekt vid tomgångsvarvtal.
- Följ dessa instruktioner om du vill minska risken för oönskat material på tändstiftets elektroder:
 - a) Se till att tomgångsvarvtalet är korrekt justerat.
 - b) Se till att bränsleblandningen är korrekt.
 - c) Se till att luftfiltret är rent.
- Om tändstiftet är smutsigt rengör du det och ser till att elektrodavståndet är korrekt. Se *TEKNISKA DATA på sida 284*. (Fig. 45.)
- Byt ut tändstiftet vid behov.

Så utför du underhåll på luftfiltret

Rengöring av luftfiltret

1. Tag bort luftfilterkåpan och luftfiltret.
2. Rengör luftfiltret med hjälp av varmt tvålatten. Se till att luftfiltret är torrt innan du installerar det.
3. Byt ut luftfiltret om det är för smutsigt för att rengöra helt. Byt alltid ut ett skadat luftfilter.
4. Om din produkt har ett skumluftfilter tillsätter du luftfilterolja. Applicera endast luftfilterolja på ett skumfilter. Använd inte olja på ett filter av filt.

TEKNISKA DATA

	enhet	GBV 322 (GHB28VPR)	GBV 322VX (GHB28VPR)
Motorspecifikationer			
Cylindervolyum	cm ³	26	26

	enhet	GBV 322 (GHB28VPR)	GBV 322VX (GHB28VPR)
Elektroddgap	mm	0,6	0,6
Bränsletankvolym	cm ³	500	500
Tomgångsvarvtal	min ⁻¹	2 800 - 3 200	2 800 - 3 200
Maximal effekt	min ⁻¹	8 000	8 000
Uteffekt	kW	0,8	0,8
Tändstift		Champion RCJ-6Y	Champion RCJ-6Y
Maxhastighet i blåsläge	min ⁻¹	8 600	8 600
Maxhastighet i sugläge	min ⁻¹	--	7500
Hållbarhetsperiod	h	50	50
Buller- och vibrationsdata			
Motsvarande vibrationsnivå i handtag med blåsarrör och munstycke (original) – se anm. 1	m/s ²	7,5	7,5
Motsvarande vibrationsnivå i handtag med sugrör (original), vänster/höger – se anm. 1	m/s ²	7,4	7,4
Motsvarande ljudtrycksnivå vid användarens öra uppmätt enligt ISO 22868 utrustad med blåsarrör och munstycke (original) – se anm. 3	dB (A)	95,6	95,6
Ljudeffektnivå, garanterad (L _{WA}) – se anm. 2	dB (A)	112	112
Ljudeffektnivå, uppmätt – se anm. 2	dB (A)	109	109
Produktens mått			
Vikt	kg	4,4	4,5
Anm. 1: Rapporterade data för ekvivalent vibrationsnivå har en typisk statistisk spridning (standardavvikelse) på 1,5 m/s ² .			
Anm. 2: Emission av buller till omgivningen uppmätt som ljudeffekt (L _{WA}) enligt EU-direktiv 2000/14/EU. Rapporterad ljudeffektnivå för maskinen har uppmätts med den originalutrustning som ger den högsta nivån. Skillnaden mellan garanterad och uppmätt ljudeffekt är att den garanterade ljudeffekten också inkluderar spridning i mätresultatet och variationen mellan olika maskiner av samma modell enligt direktiv 2000/14/EG.			
Anm. 3: Rapporterade data för ekvivalent ljudtrycksnivå för maskinen har en typisk statistisk spridning (standardavvikelse) på 3 dB (A).			

Fläkt	enhet	GBV 322	GBV 322VX
Typ		Radialfläkt	Radialfläkt
Maxlufthastighet, standardmunstycke	km/h	322	–
Max lufthastighet, förlängningsbart™ blåsarrör*	km/h	–	370
Luftvolym, blåsläge	cfm	370	450
Luftvolym, sugläge	cfm	490	490

Fläkt	enhet	GBV 322	GBV 322VX
Mulchingförhållande		10:1	16:1
*valfria tillbehör			

INNEHÅLLET I EG-FÖRSÄKRAN OM ÖVERENSSTÄMMELSE

Husqvarna AB, SE-561 82 Huskvarna, SVERIGE, försäkrar härmed på eget ansvar att den företrädde produkten:

Beskrivning	Bensinblåsare/Blåsarsug
Varumärke	McCulloch
Plattform/typ/modell	Plattform GHB28VPR, representerar modell GBV 322, GBV 322VX
Parti	Serienummer daterade 2018 och framåt

uppfyller alla krav i följande EU-direktiv och förordningar:

Direktiv/förordning	Beskrivning
2006/42/EG	"angående maskiner"
2014/30/EU	"angående elektromagnetisk kompatibilitet"
2000/14/EG	"angående buller utomhus"

Harmoniserade standarder och/eller tekniska specifikationer som tillämpas är följande: EN ISO 12100, EN 15503, CISPR 12, ISO 14982

I enlighet med direktiv 2000/14/EG, bilaga V finns ljudvärdena angivna i avsnittet tekniska data i denna handbok och i den undertecknade EU-försäkrans om överensstämmelse.

TÜV Rheinland N.A. har utfört en frivillig kontroll åt Husqvarna AB – Certifikat om överensstämmelse med Rådets direktiv 2006/42/EG om maskiner.

Certifikatet, som levereras med en undertecknad EU-försäkrans om överensstämmelse, är tillämpligt på alla tillverkningsplatser och ursprungsländer, såsom anges på produkten.

Den levererade bensindrivna blåsaren/blåsarsugen överensstämmer med det exemplar som genomgick kontrollen.

İçindekiler

GİRİŞ.....	287	BAKIM.....	293
EMNİYET.....	288	TEKNİK VERİLER.....	295
MONTAJ.....	291	AB UYUMLULUK BİLDİRİMİ'NİN İÇERİĞİ.....	296
KULLANIM.....	291		

GİRİŞ

Kullanım kılavuzu

Bu kullanım kılavuzunun asıl dili İngilizcedir. Diğer dillerdeki kullanım kılavuzları İngilizceden çevrilmiştir.

Genel bakış

(Şek. 1)

1. Omuz askısı
2. Gaz tetiği
3. DURDURMA anahtarı
4. Hız sabitleyici
5. Fan muhafazası
6. Yakıt tankı kapağı
7. Hava filtresi
8. Jikle kontrolü
9. Hava alma haznesi
10. Giriş kapağı
11. Vakum kolu
12. Malç bıçağı (GBV 322VX)
13. Fan pervanesi
14. Alt üfleme borusu (GBV 322)
15. VX™ üfleme borusu (GBV 322VX)
16. Üst üfleme borusu
17. Cıvata
18. Susturucu
19. Toprak kablosu
20. Çalıştırma ipi tutma yeri
21. Marş cihazı
22. Tutma yeri
23. Kombine alet
24. Kollektör torbası borusu
25. Kollektör torbası
26. İki bölümlü vakum borusu
27. Vida
28. Kullanım kılavuzu

Ürün üzerindeki semboller

(Şek. 2) Uyarı

(Şek. 3) Bu kılavuzu okuyun

(Şek. 4) Onaylı kafa koruma ekipmanı kullanın

(Şek. 5) Onaylı kulak koruma ekipmanı kullanın

(Şek. 6) Onaylı koruyucu gözlük takın (ANSI Z87.1 ya da eşdeğeri)

(Şek. 7) Onaylı koruyucu bot ve eldiven giyin

(Şek. 8) Uzun kollu giysi ve pantolon giyin

(Şek. 9) Ürünü kullanırken takı takmayın.

(Şek. 10) Mandalı serbest bırakmak için tornavidanın ucunu kullanın.

(Şek. 11) Taş, çakıl, metal, cam kırığı, kauçuk malç veya pervanenin hasar görmesine neden olabilecek diğer malzemeleri vakumlamayın.

(Şek. 12) Ürün, nesnelerin fırlatılmasına neden olarak gözlere zarar verebilir

(Şek. 13) Döndüğü sırada pervaneye yaklaşmayın

(Şek. 14) Tam jikle

(Şek. 15) Yarım jikle

(Şek. 16) Jiklesiz

(Şek. 17) Uzun saçların omuzlarınızın üstünde toplandığından emin olun.

(Şek. 18) Güvenli mesafe

(Şek. 19) Garantili ses gücü seviyesi

(Şek. 20) Ürün, geçerli AB direktiflerine uygundur.

(Şek. 21) Ürün, geçerli EAC direktiflerine uygundur.

(Şek. 22) Ürün, geçerli Ukrayna direktiflerine uygundur.

Not: Ürünün üzerindeki diğer semboller/etiketler, diğer ticari alanların sertifikalandırma gereklilikleri ile ilgilidir.

EU V



UYARI: Motorun kurcalanması bu ürünün AB tip onayını geçersiz kılar.

Ürün sorumluluğu

Ürün sorumluluğu yasalarında belirtildiği üzere;

EMNİYET

Güvenlik tanımları

Aşağıdaki tanımlar, her bir sinyal kelimesinin önem derecesini belirtir.



UYARI: Yaralanma tehlikesi.



DİKKAT: Ürünün hasar görme tehlikesi.

Not: Bu bilgiler, ürünün kullanımını kolaylaştırır.

Genel güvenlik talimatları

- Ürünü doğru şekilde kullanın. Yaralanma veya ölüm, hatalı kullanımın olası sonuçlarıdır. Ürünü, yalnızca bu kılavuzda belirtilen işler için kullanın. Ürünü başka işler için kullanmayın.
- Bu kılavuzdaki talimatlara uyun. Güvenlik sembollerine ve güvenlik talimatlarına uyun. Operatörün talimatlara ve sembolere uymaması yaralanma, hasar veya ölümlle sonuçlanabilir.
- Bu kılavuzu atmayın. Ürününüzü monte etmek, çalıştırmak ve iyi durumda tutmak için talimatlara başvurun. Atışmanların ve aksesuarların doğru kurulumu için talimatlara başvurun. Yalnızca onaylanmış atışmanları ve aksesuarları kullanın.
- Hasarlı ürünü kullanmayın. Bakım takvimine uyun. Yalnızca bu kılavuzda ilgili talimatı bulduğunuz bakım çalışmalarını gerçekleştirin. Diğer tüm bakım işlerini onaylı bir servis merkezi yapmalıdır.
- Bu kılavuz, ürünü kullanırken oluşabilecek tüm durumları kapsayamaz. Dikkatli olun ve sağduyunuzu kullanın. Durumdan emin değilseniz ürünü kullanmayın veya ürün üzerinde bakım yapmayın. Bilgi almak için bir ürün uzmanına, bayinize, servis noktasına veya onaylı servis merkezine danışın.
- Ürünü monte etmeden, saklamadan veya ürün üzerinde bakım yapmadan önce buji kablosunun bağlantısını kesin.
- Orijinal özellikleri değiştirilmişse ürünü kullanmayın. Üreticinin onayı olmadan ürünün bir parçasını

- ürünün hatalı bir şekilde onarılması,
- ürünün, üretici tarafından onaylanmayan veya üreticiden alınmayan parçalarla tamir edilmesi,
- üründe, üreticiden alınmayan veya üretici tarafından onaylanmayan bir aksesuar bulunması,
- ve ürünün, onaylı bir servis merkezinde veya yetkili bir kurum tarafından tamir edilmemesi durumunda oluşabilecek hasarlardan sorumlu değildir.

değiştirmeyin. Yalnızca üretici tarafından onaylanmış parçaları kullanın. Hatalı bakım çalışmaları, yaralanma veya ölümlle sonuçlanabilir.

- Motordan çıkan dumanları solumayın. Motordan çıkan egzoz dumanlarını uzun süre solumak sağlık açısından risklidir.
- Ürünü kapalı yerlerde veya yanıcı maddelerin yakınında çalıştırmayın. Egzoz dumanları sıcaktır ve bir yangına neden olabilecek kıvılcımlar içerebilir. Nefessiz kalma veya karbon monoksit nedeniyle yeterli hava akışının olmaması yaralanmaya veya ölüme sebep olabilir.
- Bu ürünü kullandığınızda motor, elektromanyetik bir alan oluşturur. Elektromanyetik alan, tıbbi implantlara zarar verebilir. Ürünü kullanmadan önce doktorunuza ve tıbbi implant üreticinizle iletişime geçin.
- Ürünü, bir çocuğun kullanmasına izin vermeyin. Talimatlar hakkında bilgisi olmayan birinin ürünü çalıştırmasına izin vermeyin.
- Fiziksel veya zihinsel kapasitesi düşük olan bir kişi ürünü kullanırken daima gözetim altında tutun. Sorumluluk sahibi bir yetişkin her zaman orada olmalıdır.
- Ürünü, çocukların ve onaylanmayan kişilerin ulaşamayacağı bir yere kilitleyin.
- Ürün, nesnelere fırlatarak yaralanmaya sebep olabilir. Yaralanma veya ölüm riskini azaltmak için güvenlik talimatlarına uyun.
- Motor açıkken üründen uzaklaşmayın.
- Oluşabilecek kazalardan operatör sorumludur.
- Ürünü kullanmadan önce parçaların hasarlı olmadığını emin olun.
- Ürünü kullanmadan önce diğer insanlardan veya hayvanlardan en az 15 m (50 ft) uzakta olduğunuzdan emin olun. Etrafınızdaki kişilerin ürünü kullanmadığını bildiklerinden emin olun.
- Ulusal veya yerel yasalara uyun. Bazı koşullarda bu yasalar, ürünün kullanımını önleyebilir veya kısıtlayabilir.
- Ürünü yorgunken veya alkol, uyuşturucu ya da ilaç etkisi altındayken kullanmayın. Bu maddeler; görmenizi, dikkatinizi, koordinasyonunuzu ya da karar alma yetinizi etkileyebilir.

Titreşim güvenliği

Bu ürün yalnızca ara sıra kullanım içindir. Ürünün aralıksız ya da düzenli olarak kullanılması titreşimden kaynaklanan "beyaz parmak" hastalığına veya benzer tıbbi sorunlara yol açabilir. Ürünü aralıksız ya da düzenli olarak kullanıyorsanız ellerinizin ve parmaklarınızın durumunu inceleyin. Ellerinizde ya da parmaklarınızda renk solması, ağrı, karıncalanma veya hissizlik varsa çalışmayı bırakın ve derhal bir doktora gidin.

Üfleycinin çalışmasıyla ilgili güvenlik talimatları

- Ürünü yalnızca yerdeki yaprak ve diğer döküntüleri üfleme veya giderme için kullanın.
- Ürünü yorgunken, hastayken veya alkol ya da ilaç etkisi altındayken çalıştırmayın.
- Çevredeki kişilerin veya hayvanların operatöre 15 m'den (50 ft) fazla yaklaşmalarına izin vermeyin.
- Ürün, nesnelere yüksek hızda fırlatabilir ve bunlar sekerek operatöre çarpabilir. Bu, göze zarar verebilir.
- Üfleycinin ucunu insanlara veya hayvanlara doğrultmayın.
- Uzun saçları omuzdan yukarıda toplayın.
- Aksesuarları veya diğer parçaları takmadan ya da sökmeyen önce motoru durdurun.
- Ürünü siperliksiz çalıştırmayın.
- Çalışma alanında insanlar varsa ürünü çalıştırmayın. Çalışma alanına biri girerse ürünü durdurun.
- Ürünü, hava akışı yetersiz olan yerlerde çalıştırmayın. Hava akışının yeterli olmaması, nefessiz kalma veya karbon monoksit nedeniyle yaralanmaya ya da ölüme yol açabilir.
- Ürün açıkken, durduktan sonra ve rölanlide çalışırken susturucu çok sıcaktır. Yanıcı maddelerin ve yanıcı gazların yakınındayken dikkatli olun.
- Giriş kapağı bölgesine dokunmayın. Takı ve bol duran giysileri giriş bölgesinden uzak tutun.
- Her zaman doğru bir şekilde yere basın. Ürünü yalnızca güvenli ve düz yüzeylerde çalıştırın. Merdiven gibi sabit olmayan veya kaygan yüzeyler denge ya da kontrol kaybına neden olabilir.
- Ürünü çatı gibi yüksek yerlerde çalıştırmayın.
- Nakliye sırasında ürünü sabitleyin.
- Ürünü yalnızca önerilen saatlerde çalıştırın. Yerel düzenlemelere uyun. Genellikle, Pazartesi - Cumartesi 09:00-17:00 saatleri arasında çalıştırılması önerilir.
- Çalışmanız sırasında ürünü mümkün olan en düşük gaz seviyesinde çalıştırın.
- Ürünü kullanırken düşme ihtimaliniz olmadığından emin olun. Ürünü kullanırken eğilmeyin.
- Çalıştırmadan önce, özellikle susturucu, hava girişi ve hava filtresi olmak üzere, ürünün iyi durumda olduğundan emin olun.
- Ürünün çalışmasından önce yerdeki döküntüleri dağıtmak için bir tırmık veya süpürge kullanın.

- Çalışma alanı kirliyse hortumla su püskürterek temizleyin.
- Su tasarrufu yapmak için hortumla temizlik yerine ürünü kullanın.
- Döküntüleri güvenli bir şekilde üfletin. Çocuklara, hayvanlara, açık pencerelere veya araçlara dikkat edin.
- Ürünü kolayca zarar gören bitkilere doğrultmayın.
- Duvar, büyük taşlar, araçlar veya çitler gibi nesnelere doğru hava üfletmeyin.
- İçerideki köşelerde çalışıyorsanız köşeden çalışma alanının ortasına doğru üfletin. Aksi halde, döküntüler yüzünüze çarparak gözlerinizin yaralanmasına neden olabilir.
- Hava akışının zemine yakın olmasını sağlamak için tam uç uzatmasını kullanın.
- Çevredekilerin koruyucu gözlük takması gereklidir.
- Ürünü kullandıktan sonra atık kaplarındaki döküntüleri bertaraf edin.

Vakumun kullanımıyla ilgili güvenlik talimatları

- Fanın hasar görmesini önleyin. Ahşap, teneke kutu, kauçuk malç gibi katı ve büyük nesnelere veya uzun ip parçalarını vakumlamayın.
- Vakum borusunun yere çarpmasına dikkat edin.
- Bir tıkanıklığı açmak veya tıkanmaya neden olan bir maddeyi çıkarmak için önce motoru durdurun ve buji kapağını çıkarın.

Kişisel koruyucu ekipman

- Ürünü kullanırken her zaman uygun kişisel koruyucu ekipmanlar kullanın. Kişisel koruyucu ekipmanlar yaralanma riskini ortadan kaldırmaz. Kişisel koruyucu ekipmanlar, bir kaza oluşması durumunda yaralanma derecesini azaltır.
- Ürünü kullanırken daima onaylı bir koruyucu gözlük kullanın.
- Ürünü çıplak ayakla veya açık ayakkabılarla kullanmayın. Her zaman ağır hizmet tipi kaymayan botlar giyin.
- Kalın, uzun pantolonlar giyin.
- Gerekirse onaylı koruyucu eldivenler takın.
- Nesnelere kafanıza düşme riski varsa bir baret kullanın.
- Ürünü kullanırken daima onaylı bir koruyucu kulaklık takın. Uzun süre boyunca gürültüye maruz kalmak gürültüye bağlı işitme kaybına neden olabilir.
- Ürünü tozlu ortamlarda çalıştırırken her zaman onaylı bir toz maskesi kullanın.
- Yakınızdaki bir ilk yardım kiti bulunduğundan emin olun.

Ürün üzerindeki koruyucu cihazlar

- Ürünün bakımını düzenli olarak yaptığınızdan emin olun.
 - Ürünün kullanım ömrü artar.

- Kaza riski azalır.

Ürün üzerinde ayarlama veya onarım yapılması için düzenli olarak ürünün onaylı bir bayi veya onaylı bir servis merkezi tarafından incelenmesini sağlayın.

- Ürünü, hasarlı koruyucu ekipmanla kullanmayın. Ürün hasar görürse onaylı bir servis merkeziyle görüşün.

Durdurma anahtarı

Motoru başlatın. Durdurma anahtarını durma konumuna getirdiğinizde motorun durduğundan emin olun.

Susturucu



UYARI: Sıcaksa susturucuya dokunmayın. Motor çalışırken ve durduktan sonra susturucu çok sıcaktır. Susturucuya dokunmak yanıklara neden olabilir.

- Susturucusu hasar görmüş motor kullanmayın. Hasarlı bir susturucu, gürültü düzeyini ve yangın riskini artırır. Yakında bir yangın söndürücü bulundurun.
- Susturucunun ürüne takılı olup olmadığını düzenli olarak kontrol edin.
- Motor açıkken motora veya susturucuya dokunmayın. Motor durduktan sonra motora veya susturucuya bir süre boyunca dokunmayın. Sıcak yüzeyler yaralanmalara sebep olabilir.
- Sıcak susturucu yangına neden olabilir. Ürünü yanıcı sıvıların veya dumanların yakınında kullanırken dikkatli olun.
- Susturucu hasar görmüşse susturucudaki parçalara dokunmayın. Parçalar kanserojen kimyasallar içerebilir.
- Bazı üfleyici modellerinde kıvılcım önleyici siperlik vardır. Siperliği belirtilen aralıklarla temizleyin ve değiştirin. Bakım bölümüne (*BAKIM sayfa: 293*) bakın.

Yakıt güvenliği

- Ürünün üzerinde yakıt veya motor yağı varsa ürünü çalıştırmayın. İstenmeyen yakıtı/yağı temizleyin ve ürünün kurumasını bekleyin. Üründeki istenmeyen yakıtı temizleyin.
- Kıyafetlerinize yakıt bulaşırca kıyafetlerinizi hemen değiştirin.
- Vücudunuza yakıt bulaştırmayın; bu, yaralanmaya sebep olabilir. Vücudunuza yakıt bulaşırca yakıtı temizlemek için su ve sabun kullanın.
- Ürüne ya da vücudunuza yağ veya yakıt dökerseniz motoru çalıştırmayın.

- Motorda sızıntı varsa ürünü çalıştırmayın. Motorda sızıntı olup olmadığını düzenli olarak kontrol edin.
- Yakıtla uğraşırken dikkatli olun. Yakıt yanıcı ve dumanlar patlayıcıdır; yaralanmalara veya ölüme sebep olabilir.
- Yaralanmaya sebep olabileceğinden yakıt dumanını solumayın. Yeterli hava akışı olduğundan emin olun.
- Yakıtın veya motorun yakınında sigara içmeyin.
- Yakıtın veya motorun yakınına sıcak nesnelere koymayın.
- Motor açıkken yakıt eklemeyin.
- Yakıtı yenilemeden önce motorun soğuduğundan emin olun.
- Yakıtı yenilemeden önce yakıt tankı kapağını yavaşça açın ve basıncı dikkatlice tahliye edin.
- Kapalı bir alanda motora yakıt eklemeyin. Nefessiz kalma veya karbon monoksit nedeniyle yeterli hava akışının olmaması yaralanmaya veya ölüme sebep olabilir.
- Yakıt tankı kapağını dikkatlice sıkın; aksi takdirde yangın çıkabilir.
- Çalıştırmadan önce ürünü, yakıt tankını doldurduğunuz konumdan en az 3 m (10 ft) uzağa taşıyın.
- Yakıt tankına çok fazla yakıt doldurmayın.
- Ürünü veya yakıt konteynerini taşıırken sızıntı olmadığından emin olun.
- Ürünü veya bir yakıt konteynerini açık ateşin, kıvılcımın veya pilot alevinin olduğu bir alana koymayın. Depolama alanında açık alev olmadığından emin olun.
- Yakıtı taşıırken veya depolarken yalnızca onaylı konteynerleri kullanın.
- Ürünü uzun süre saklamadan önce yakıt tankını boşaltın. Yakıtın nereye atılacağı konusunda yerel yasalara uyun.
- Ürünü uzun süre saklamadan önce temizleyin.
- Motorun kazara çalışmasını engellemek için ürünü saklamadan önce buji kablosunu çıkarın.

Bakım için güvenlik talimatları



UYARI: Yanlış bakım işlemi, motorun ciddi hasar görmesine veya ciddi yaralanmalara neden olabilir.

Makine sahibi, kullanım kılavuzunda belirtilen gerekli tüm bakımların yapılmasından sorumludur. Bakımdan önce bujiyi sökün. Karbüratör ayarlamalarından önce bujiyi sökmeyin.

MONTAJ



UYARI: Ürünü monte etmeden önce güvenlik bölümünün okuyun.

Üst üfleyici borusunu takma

1. Üst üfleyici borusunun (A) üzerindeki yuvayı, üfleyici çıkışındaki tırnakla (B) hizalayın. (Şek. 23)
2. Üst üfleyici borusunu, üfleyici çıkışına tam olarak itin.
3. Üst üfleyici borusunu, borunun deliği üfleyici çıkışındaki somunun dişleriyle hizalanana kadar döndürün. (Şek. 24)
4. Vidayı (C) takın. (Şek. 25)
5. Boruyu takmak için vidayı tornavidayla saat yönünde döndürün.

Alt üfleyici borusunu takma

1. Alt üfleyici borusundaki (A) yuvaları üst üfleyici borusundaki (B) tırnaklarla hizalayın. (Şek. 26)
2. Alt üfleyici borusunu üst üfleyici borusuna tam olarak itin.
3. Alt üfleyici borusunu, tırnak yuvarının sonuna gelene kadar tamamen döndürün. (Şek. 27)

VX™ üfleyici borusunu takma

1. VX™ üfleyici borusu üzerindeki yuvaları (A) üst üfleyici borusu (B) üzerindeki tırnaklarla hizalayın. (Şek. 28)
2. VX™ üfleyici borusunu üst üfleyici borusuna tam olarak itin.
3. VX™ üfleyici borusunu tırnak yuvarının sonuna gelene kadar tamamen döndürün. (Şek. 29)

Üst vakum borusunu takma

1. Bir tornavidanın ucunu vakum girişindeki mandal alanına takın. (Şek. 30)

2. Mandalı serbest bırakmak için tornavidanın sapını hafifçe ürünün ön tarafına doğru yatırın.
3. Üst vakum borusu yerine oturana kadar vakum girişi kapağını açık tutun. (Şek. 31)
4. Vakum girişinin iç kısmındaki çıkıntıları üst vakum borusunun üstündeki yuvalarla hizalayın.

Not: Vakum giriş açıklığı ve üst vakum borusundaki işaretleri hizalayın.

5. Üst vakum borusunu vakum girişinin içine doğru tam olarak itin.
6. Üst vakum borusunu bir tık sesi duyana kadar saat yönünde tamamen döndürün. (Şek. 32)

Alt vakum borusunu takma

1. Alt vakum borusundaki yuvayı üst vakum borusundaki tırnakla hizalayın.
2. Alt vakum borusunu, tırnak yuvarının sonuna gelene kadar üst vakum borusuna tam olarak itin. (Şek. 33)
3. Vidayı takın.
4. Boruyu takmak için vidayı tornavidayla saat yönünde döndürün. (Şek. 34)

Kollektör torbası borusunu takma

1. Kollektör torbası borusunun (A) üzerindeki yuvayı, üfleyici çıkışındaki tırnakla (B) hizalayın. (Şek. 35)
2. Kollektör torbası borusunu, üfleyici çıkışına tam olarak itin.
3. Kollektör torbası borusunu, borunun deliği üfleyici çıkışındaki somunun dişleriyle hizalanana kadar döndürün. (Şek. 36)
4. Vidayı (C) takın.
5. Boruyu takmak için vidayı tornavidayla saat yönünde döndürün. (Şek. 37)

KULLANIM



UYARI: Ürünü kullanmadan önce güvenlik bölümünün okuyup anlayın.

Yakıt

Yakıtın kullanılması



DİKKAT: Bu üründe iki devirli motor bulunur. Benzin ve iki devirli motor yağı karışımı kullanın. Karışımda doğru miktarda yağ kullandığınızdan emin olun. Yanlış benzin ve yağ oranı motora zarar verebilir.

Benzin



DİKKAT: Oktan numarası 90 RON (87 AKI) değerinin altında olan benzin kullanmayın. Bu, üründe hasara neden olabilir.



DİKKAT: %10'dan fazla etanol konsantrasyonu (E10) içeren benzin kullanmayın. Bu, üründe hasara neden olabilir.

- Her zaman minimum 90 RON (87 AKI) oktan numarasına sahip ve %10'dan az etanol

konsantrasyonu (E10) içeren yeni kurşunsuz benzin kullanın.

- Ürünü sık sık ve sürekli olarak yüksek motor devrinde kullanıyorsanız daha yüksek oktan numarasına sahip benzin kullanın.

İki devirli motor yağı

- Yalnızca yüksek kaliteli iki devirli motor yağı kullanın. Yalnızca hava soğutmalı motor yağı kullanın.
- Diğer yağ türlerini kullanmayın.
- Karışım oranı 50:1'dir (%2)

Benzin	Yağ
1 ABD Gal.	77 ml (2,6 oz)
1 BK Gal.	95 ml (3,2 oz)
5 l	100 ml (3,4 oz)

Yakıt karışımının hazırlanması

Not: Yakıt karıştırırken daima temiz bir yakıt konteyneri kullanın.

Not: 30 gün içinde tüketilemeyecek miktarda yakıt karışımı hazırlamayın.

1. Benzin miktarının yarısını ekleyin.
2. Yağ miktarının tümünü ekleyin.
3. İçeriğin karışması için yakıt karışımını çalkalayın.
4. Kalan benzin miktarını ekleyin.
5. İçeriğin karışması için yakıt karışımını çalkalayın.
6. Yakıt tankını doldurun.

Yakıtın eklenmesi

- Her zaman sıçratma karşıtı valfi olan bir yakıt konteyneri kullanın.
- Konteynerde yakıt varsa istenmeyen yakıtı boşaltın ve konteynerin kurumasını bekleyin.
- Yakıt tankı kapağının etrafındaki bölgenin temiz olduğundan emin olun.
- Yakıt karışımını yakıt tankına eklemeyen önce yakıt konteynerini çalkalayın.

Çalıştırma ve durdurma

Motoru çalıştırmadan önce

- Üründe eksik, hasarlı, gevşek veya aşınmış parçalar olup olmadığını kontrol edin.
- Kollektör torbasını kontrol edin. Kollektör torbasının hasar görmemiş ve fermuarın kapalı olduğundan emin olun.
- Somun, vida ve civataları kontrol edin.
- Hava filtresini kontrol edin.
- Gaz tetiğinin düzgün çalışıp çalışmadığını kontrol edin.

- Durdurma düğmesinin düzgün çalışıp çalışmadığını kontrol edin.
- Üründe yakıt sızıntısı olup olmadığını kontrol edin.

Soğuk motoru çalıştırma



UYARI: Çalıştırma ipini kolunuza dolamayın.



DİKKAT: Ürünü ayağınızla tutmayın.



DİKKAT: Çalıştırma ipini sonuna kadar çekmeyin. Çalıştırma ipi çekilmiş durumdayken çalıştırma ipi kolunu bırakmayın. Bu, üründe hasara neden olabilir.

Not: Motor durursa jikle kontrolünü kapalı konuma getirin ve çalıştırma adımlarını tekrarlayın.

1. Yakıt tankını temiz bir yakıt karışımıyla doldurun.
2. Makinenin gövdesini zeminin üzerinde tutmak için sol elinizi kullanın. Üfleyici ucunun insanlara, hayvanlara, cama ya da sert nesnelere doğrultulmadığından emin olun.
3. Yakıt pompası diyaframı haznesini 10 kez yavaşça itin.
4. Jikle kolunu FULL CHOKE (TAM JİKLE) konumuna getirin.
5. Gaz tetiğine basın ve basılı tutun
6. Çalıştırma ipi kolunu motor çalışmayı deneyene kadar hızlıca çekin; ancak 3 defadan fazla çekmeyin.

Not: Sıcaklık 4°C'den (40°F) düşükse motor çalışmayı deneyene kadar çalıştırma ipini çekmeye devam edin.

7. Jikle kolunu HALF CHOKE (YARIM JİKLE) konumuna getirin
8. Çalıştırma ipi kolunu motor çalışana kadar hızlıca çekin.
9. Motoru 10 saniye boyunca çalıştırın.
10. Jikle kolunu JİKLESİZ konumuna getirin.

Sıcak motoru çalıştırma

1. Yakıt pompası diyaframı haznesini 10 kez yavaşça itin.
2. Jikle kolunu HALF CHOKE (YARIM JİKLE) konumuna getirin
3. Çalıştırma ipi kolunu motor çalışana kadar hızlıca çekin.
4. Jikle kolunu JİKLESİZ konumuna getirin.

Buhar tıkanması gerçekleşen motoru çalıştırma

Buhar tıkanması, yakıt hattındaki veya karbüratördeki yakıtın yüksek ısı nedeniyle buharlaşmasıyla meydana gelir.

Ürün 35°C (95°F) üzerindeki ortam sıcaklıklarında tekrar başlamıyorsa ve 15-45 dakikadır kapalıysa buhar tıkanması meydana gelmiş olabilir.

1. Yakıt pompası diyaframı ampulüne 10-15 saniye boyunca tekrar tekrar basın.
2. Jikle kolunu HALF CHOKE (YARIM JİKLE) konumuna getirin
3. Çalıştırma ipi kolunu motor çalışana kadar hızlıca çekin.
4. Motorun 3 dakika boyunca rölantide ısınmasını bekleyin.
5. Jikle kolunu JİKLESİZ konumuna getirin.

Motorun durdurulması

- Motor STOP (durdurma) anahtarına basıp bırakın. Anahtar otomatik olarak ON (açık) konumuna döner. Anahtarın sıfırlandığından emin olmak için ürünü yeniden çalıştırmayı denemeden önce 7 saniye bekleyin.

VX™ üfleyci borusunu ayarlama

1. Dış VX™ üfleyci borusundaki doğru yuvayı (A veya B) iç borudaki tırnakla (C) hizalayın. (Şek. 38)

Not: Borular takıldıktan sonra tırnağı göremezsiniz. Dış boruyu hareket ettirirken tırnağın bulunduğu konumu hissederek bulmanız gerekir.

Not: Büyük üfleyci açıklığı için tırnağı "A" konumuna getirin. Büyük üfleyci açıklığı, geniş alanlardan kuru yaprakları ve diğer istenmeyen malzemeleri üfleterek taşır. Küçük üfleyci açıklığı için tırnağı "B" konumuna getirin. Küçük üfleyci açıklığı, çatlakları ve kenarları temizlemek ve ıslak yapraklar gibi ağır malzemeleri hareket ettirmek için hava akışını daha hızlı hale getirir.

2. Tırnağı yuvadan çıkarmak için dış boruyu gösterildiği gibi döndürün. (Şek. 39)
3. Konumu değiştirmek için dış boruyu iç boru boyunca hareket ettirin. (Şek. 40)

4. Dış boruyu, tırnak doğru yuva konumunun sonuna tam olarak ulaşana kadar döndürün. (Şek. 41)

Çalıştırma konumu

- Üfleyci (Şek. 42)
- Vakum (Şek. 43)

Vakumlama

Vakumlamadan önce gerekli güvenlik ekipmanlarını takın.



UYARI: Kullanımdan önce kollektör torbasının hasar görmemiş ve fermuarın kapalı olduğundan emin olun. Hasarlı torba kullanmayın. Böylece havaya sıçrayan döküntülerin neden olabileceği yaralanmalar önlenir. Sol elle kullanma, riski artırır. Egzoz çıkış bölgesine vücudunuzun temas etmesinden kaçının.



UYARI: Giriş kapağı açık veya hasarlıysa üfleyciyi çalıştırmayın (vakum borusu takılıysa çalıştırılabilir).

- Üfleyci kullanılırken kollektör torbası omuz askısıyla taşınmalıdır. Askı omzun üst kısmına takılmalıdır.
- Üfleyciyi çalıştırın. Çalıştırma ve durdurma bölümündeki *Çalıştırma ve durdurma sayfada: 292* talimatlara uyun. Güvenlik talimatlarını *EMNİYET sayfada: 288* okuyun.

Kollektör torbasının boşaltılması



UYARI: Kollektör torbasını her zaman kontrol edin. Kullanımdan önce torbanın hasar görmemiş ve fermuarın kapalı olduğundan emin olun. Hasarlı torbayı kullanmayın. Havaya sıçrayan döküntüler nedeniyle yaralanma riski vardır. Sol elinizle çalışıyorsanız dikkatli olun. Egzoz çıkış bölgesine dokunmayın.

1. Ürünü durdurun.
2. Yandaki fermuarı açın.
3. Kollektör torbasını boşaltın.
4. Fermuarı kapatın.

BAKIM



UYARI: Ürünü temizlemeden, ürün üzerinde onarım veya bakım işlemi yapmadan önce güvenlik bölümünü okuyup anlayın.

Bakım takvimi

Bakım takvimine uyduğunuzdan emin olun. Bakım aralıkları, ürünün günlük kullanımına göre hesaplanır. Ürünü her gün kullanmıyorsanız aralıklar farklı olur. Yalnızca bu kılavuzda bulunan bakım çalışmalarını gerçekleştirin. Bu kılavuzda bulunmayan diğer bakım çalışmaları için onaylı bir servis merkeziyle görüşün.

Günlük bakım

- Dış yüzeyleri temizleyin.
- Hız kontrolü ve gaz tetiği işlevini kontrol edin. Hasarlı parçaları değiştirin
- Durdurma anahtarını kontrol edin. Gerekirse değiştirin.
- Rölantiyi kontrol edin.
- Hava filtresini temizleyin. Gerekirse değiştirin.
- Giriş kapağının kapalı konumda kilitlenebildiğinden emin olun. Pervanenin temiz olduğundan emin olun.
- Tüm somunları ve vidaları sıkın.
- Yataklarda çatlak olmadığından emin olun.
- Toplama torbasının hasar görmemiş olduğundan ve fermuarın çalıştığından emin olun. Gerekirse torbayı değiştirin.

Haftalık bakım

- Marş cihazının, çalıştırma ipinin ve gerji yayının durumunu kontrol edin. Tüm hasarlı parçaları değiştirin.
- Marş cihazındaki hava giriş kısmının durumunu kontrol edin. Hava girişi tıkalıysa döküntüleri çıkarın.
- Bujinin dış kısmını temizleyin. Bujiyi sökün ve elektrot boşluğunu kontrol edin. Aralığı 6 mm (0,024 inç) olarak ayarlayın veya bujiyi değiştirin.
- Pervanenin kanatlarını temizleyin.
- Kıvılcım önleyici siperliği temizleyin ve gerekirse değiştirin (katalitik dönüştürücülü susturucular için geçerli değildir).
- Karbüratör bölgesini temizleyin.
- Hava filtresini temizleyin.

Aylık bakım

- Çalıştırma ipi tutacağını ve çalıştırma ipini kontrol edin.
- Yakıt tankını temizleyin.
- Karbüratörü ve etrafındaki alanı temizleyin.
- Pervanenin kanatlarını temizleyin.
- Yakıt hatlarında çatlak veya başka bir hasar olup olmadığını kontrol edin. Gerekirse değiştiriniz
- Yakıt tankındaki yakıt filtresini değiştirin.
- Tüm kabloları ve bağlantıları kontrol edin.
- Bujiyi değiştirin.
- Hava filtresini değiştirin.

Yıllık bakım

- Bujiyi kontrol edin.
- Karbüratörün dış yüzeyini ve yanındaki alanları temizleyin.
- Soğutma sistemini temizleyin.
- Kıvılcım önleyici siperliği kontrol edin.
- Yakıt filtresini kontrol edin.
- Yakıt hortumunda hasar olup olmadığını kontrol edin.
- Tüm kabloları ve bağlantıları kontrol edin.

50 saatlik bakım

- Susturucunun onarımını veya değişimini onaylı bir servis merkezine yaptırın.

Rölantinin ayarlanması

Rölantiyi ayarlama öncesi hava filtresinin temiz ve hava filtresi kapağının takılı olduğundan emin olun.

Rölanti ayar vidasını kullanarak rölantiyi ayarlayın. (Şek. 44)

Motorun her konumda sorunsuz çalışması rölantinin doğru ayarlandığı anlamına gelir.

1. Daha yüksek hız için rölanti ayar vidasını saat yönünde döndürün.
2. Daha düşük hız için rölanti ayar vidasını saat yönünün tersine döndürün.

Kıvılcım önleyici siperliğin bakımı

Kıvılcım önleyici siperliği temizlemek için bir tel fırça kullanın.

Soğutma sistemini temizleme

Soğutma sisteminin parçalarını bir fırçayla temizleyin.

Bujinin kontrol edilmesi



DİKKAT: Daima önerilen tipte buji kullanın. Yanlış buji türü ürüne zarar verebilir.

- Motor gücü düşerse, çalıştırılması kolay değilse veya rölantide düzgün bir şekilde çalışmıyorsa bujiyi kontrol edin.
- Buji elektrotlarında istenmeyen nesne riskini azaltmak için şu talimatlara uyun:
 - a) Rölanti hızının doğru ayarlandığından emin olun.
 - b) Yakıt karışımının doğru olduğundan emin olun.
 - c) Hava filtresinin temiz olduğundan emin olun.
- Buji kirliyse temizleyin ve elektrot boşluğunun doğru olduğundan emin olun. Bkz. *TEKNİK VERİLER sayfa: 295.* (Şek. 45)
- Gerekirse bujiyi değiştirin.

Hava filtresinin bakımı

Hava filtresinin temizlenmesi

1. Hava filtresi kapağını ve hava filtresini çıkarın.
2. Hava filtresini ılık, sabunlu suyla temizleyin. Takmadan önce hava filtresinin kuru olduğundan emin olun.
3. Tamamen temizlenmeyecek kadar kirlenmişse hava filtresini değiştirin. Hasar görmüş hava filtrelerini daima değiştirin.
4. Ürününüzde köpük hava filtresi varsa hava filtresi yağı uygulayın. Hava filtresi yağını yalnızca köpük filtreye uygulayın. Keçe filtreye yağ uygulamayın.

TEKNİK VERİLER

	birim	GBV 322 (GHB28VPR)	GBV 322VX (GHB28VPR)
Motor Teknik Özellikleri			
Silindir hacmi	cm ³	26	26
Elektrot boşluğu	mm	0,6	0,6
Yakıt tankı hacmi	cm ³	500	500
Rölanti devri	dak ⁻¹	2800 - 3200	2800 - 3200
Maksimum güç hızı	dak ⁻¹	8000	8000
Güç çıkışı	kW	0,8	0,8
Buji		Champion RCJ-6Y	Champion RCJ-6Y
Maksimum hızda üfleme modu	dak ⁻¹	8600	8600
Maksimum hızda vakum modu	dak ⁻¹	--	7500
Emisyon dayanıklılığı süresi	saat	50	50
Gürültü ve Titreşim Verileri			
Üfleme boruları ve ucu (orijinal) ile donatılmış makinenin kollarındaki eşdeğer titreşim seviyesi - not 1'e bakın	m/sn ²	7,5	7,5
Vakum boruları (orijinal) bulunan kollarında eşdeğer titreşim seviyesi, sol/sağ - not 1'e bakın	m/sn ²	7,4	7,4
Üfleme boruları ve uçla (orijinal) donatılmış makinede operatör kulağında ISO 22868'e göre ölçülen eşdeğer ses basıncı seviyesi - not 3'e bakın	dB(A)	95,6	95,6
Ses gücü seviyesi, garanti edilen (L _{WA}) - bkz. not 2	dB(A)	112	112
Ses gücü seviyesi, ölçülen - bkz. not 2	dB(A)	109	109
Ürün Boyutları			
Ağırlık	kg	4.4	4.5
Not 1: Eş değer titreşim seviyesi için bildirilen verilerin tipik istatistik dağılımı (standart sapması) 1,5 m/s ² şeklindedir.			
Not 2: Ses gücü (L _{WA}) türünden ortamda ölçülen gürültü yayma değeri, 2000/14/AT sayılı AT direktifine uygun olarak ölçülmüştür. Makine için bildirilen ses gücü seviyesi, en yüksek seviyeyi veren orijinal ataşmanla ölçülmüştür. Garanti edilen ve ölçülen ses düzeyi arasındaki fark, garantili ses gücünün 2000/14/AT Sayılı Direktif doğrultusunda ölçüm sonucundaki dağılımı ve aynı modelden farklı makineler arasındaki değişimleri de içermesidir.			
Not 3: Makinenin eşdeğer ses basıncı düzeyi için bildirilen verilerdeki tipik istatistik dağılımı (standart sapma) 3 dB (A) şeklindedir.			

Fan	birim	GBV 322	GBV 322VX
Tip		Radyal fan	Radyal fan

Fan	birim	GBV 322	GBV 322VX
Maks. hava hızı, standart uç	km/s	322	-
Maksimum hava hızı, VX™ üfleyici borusu*	km/s	-	370
Hava hacmi üfleme modu	cfm	370	450
Hava hacmi vakum modu	cfm	490	490
Malç oranı		10:1	16:1
*isteğe bağlı aksesuar			

AB UYUMLULUK BİLDİRİMİNİN İÇERİĞİ

Husqvarna AB, SE 561 82 Huskvarna, İSVEÇ olarak, sunulan ürünün tek sorumlusu olma vasfıyla aşağıdaki beyanlarda bulunmaktayız:

Verilen Benzinli Üfleyici / Üfleyici-Vakum, incelemeden geçmiş örnekle uyumludur.

Açıklama	Benzinli Üfleyici / Üfleyici-Vakum
Marka	McCulloch
Platform / Tür / Model	GBV 322, GBV 322VX modelini temsil eden GHB28VPR platformu
Parti	2018 ve daha ileri tarihli seri numaraları

aşağıdaki AB direktifleri ve düzenlemeleriyle tamamen uyumludur:

Direktif/Düzenleme	Açıklama
2006/42/AT	"makinelere ilgili"
2014/30/AB	"elektromanyetik uyumlulukla ilgili"
2000/14/AT	"açık alanda gürültüyle ilgili"

Uygulanan uyumlaştırılmış standartlar ve/veya teknik özellikler şu şekildedir: EN ISO 12100, EN 15503, CISPR 12, ISO 14982

2000/14/AT direktifi Ek V uyarınca beyan edilen ses değerleri, bu kılavuzun teknik veriler kısmında ve imzalı AT Uyumluluk Bildiriminde belirtilmiştir.

TÜV Rheinland N.A., Husqvarna AB adına, makinelerle ilgili 2006/42/AT sayılı AT Konseyi direktifi Uygunluk belgesi uyarınca gönüllü bir inceleme gerçekleştirmiştir.

İmzalı AB Uyumluluk Bildiriminde sağlandığı haliyle sertifika, tüm üretim yerleri ve Menşee Ülkeleri için üründe belirtildiği şekilde geçerlidir.

Зміст

ВСТУП.....	297	ТЕХНІЧНЕ ОБСЛУГОВУВАННЯ.....	305
БЕЗПЕКА.....	298	ТЕХНІЧНІ ХАРАКТЕРИСТИКИ.....	306
ЗБИРАННЯ.....	301	ЗМІСТ ДЕКЛАРАЦІЇ ВІДПОВІДНОСТІ ЕС.....	307
ЕКСПЛУАТАЦІЯ.....	302		

ВСТУП

Посібник користувача

Оригінальна мова посібника користувача – англійська. Посібники користувача іншими мовами є перекладами англійського оригіналу.

Огляд

(Мал. 1)

- | | | |
|---|------------|--|
| 1. Плечовий ремінь | | |
| 2. Дросельний регулятор | | |
| 3. Вимикач | | |
| 4. Круїз-контроль | | |
| 5. Кожух вентилятора | | |
| 6. Кришка паливного бака | | |
| 7. Повітряний фільтр | | |
| 8. Керування заслінкою | | |
| 9. Кнопка насоса | | |
| 10. Кришка впускного отвору | | |
| 11. Ручка всмоктувача | | |
| 12. Лезо для мульчування (GBV 322VX) | | |
| 13. Лопати крильчатки | | |
| 14. Нижня випускна труба повітродува (GBV 322) | | |
| 15. Випускна труба VX™ повітродува (GBV 322VX) | | |
| 16. Верхня повітродувна трубка | | |
| 17. Болт | | |
| 18. Глушник | | |
| 19. Дріт заземлення | | |
| 20. Рукоятка стартера | | |
| 21. Стартер | | |
| 22. Ручка | | |
| 23. Комбінований інструмент | | |
| 24. Трубка мішка | | |
| 25. Мішок | | |
| 26. Всмоктувальна труба (з двох частин) | | |
| 27. Гвинт | | |
| 28. Посібник користувача | | |
| | (Мал. 4) | Використовуйте відповідні засоби захисту голови |
| | (Мал. 5) | Використовуйте відповідні засоби захисту слуху |
| | (Мал. 6) | Використовуйте відповідні засоби захисту очей (ANSI Z87.1 або аналог) |
| | (Мал. 7) | Використовуйте відповідне захисне взуття й рукавиці |
| | (Мал. 8) | Надягайте одяг із довгими рукавами й штани |
| | (Мал. 9) | Не надягайте ювелірні прикраси під час роботи з виробом. |
| | (Мал. 10) | Щоб відпустити фіксатор, скористайтеся викруткою. |
| | (Мал. 11) | Не збирайте пирососом каміння, гравій, металеві предмети, бите скло, гумову мульчу або інші матеріали, які можуть спричинити пошкодження крильчатки. |
| | (Мал. 12) | З-під виробу можуть викидатися предмети, що може призвести до пошкодження очей |
| | (Мал. 13) | Не підходьте до крильчатки під час її обертання |
| | (Мал. 14) | Повністю закрито |
| | (Мал. 15) | Наполовину відкрито |
| | (Мал. 16) | Повністю відкрито |
| | (Мал. 17) | Необхідно слідкувати, щоб довге волосся було заколоте вище рівня плечей. |
| | (Мал. 18) | Безпечна відстань |
| | (Мал. 19) | Гарантований рівень звукової потужності |

Символи на виробі

(Мал. 2) Попередження

(Мал. 3) Прочитайте цей посібник

Виріб відповідає належним вимогам директив ЄС.

Виріб відповідає належним вимогам директив ЕАС.

Виріб відповідає належним вимогам директив України.

Зверніть увагу: Інші позначення на виробі відповідають вимогам спеціальних сертифікатів для інших торгових зон.

ЄС V



ПОПЕРЕДЖЕННЯ: Внесення змін у двигун позбавляє чинності сертифікацію ЄС для цього виробу.

БЕЗПЕКА

Визначення щодо безпеки

Визначення, наведені нижче, пояснюють рівень серйозності кожного сигнального слова.



ПОПЕРЕДЖЕННЯ: Небезпека травми для людини.



УВАГА: Небезпека пошкодження виробу.

Зверніть увагу: Ця інформація спрощує використання виробу.

Загальні правила техніки безпеки

- Використовуйте виріб правильно. Неправильне використання може призвести до травм або смерті. Використовуйте виріб лише для завдань, перелічених у цьому посібнику. Забороняється використовувати продукт для інших завдань.
- Дотримуйтеся інструкцій, наведених у цьому посібнику. Дотримуйтеся інструкцій, зазначених на попереджувальних знаках та в правилах техніки безпеки. Недотримання оператором інструкцій, зазначених на попереджувальних знаках та в правилах техніки безпеки, може призвести до травм, пошкодження або смерті.
- Не викидайте цей посібник. Користуйтеся інструкціями для монтажу, експлуатації та підтримки виробу в задовільному стані. Користуйтеся інструкціями для правильного встановлення насадок та приладдя. Використовуйте лише сертифіковані насадки та приладдя.
- Не користуйтеся пошкодженим виробом. Дотримуйтеся графіка технічного обслуговування. Виконуйте лише те обслуговування, для якого наведені інструкції в цьому посібнику. Все інше обслуговування повинне виконуватися в авторизованому сервісному центрі.
- Цей посібник не включає всі ситуації, що можуть статися під час використання виробу. Будьте обережні та дотримуйтеся здорового глузду. Не експлуатуйте виріб і не виконуйте технічне обслуговування, якщо ви не можете розібратися в поточній ситуації. Більш детальну інформацію можна дізнатися в експерта з продукції, вашого дилера, центрі обслуговування або в авторизованому сервісному центрі.
- Перед монтажем, зберіганням або технічним обслуговуванням необхідно виймати свічку запалювання.
- Не використовуйте виріб у разі зміни його початкових технічних характеристик. Не замінюйте деталі виробу без дозволу виробника. Використовуйте лише деталі, схвалені виробником. Неправильне технічне обслуговування може призвести до травм або смерті.
- Не вдихайте вихлопні гази, що виходять з двигуна. Тривале вдихання вихлопних газів двигуна може бути небезпечним для здоров'я.
- Не викидайте виріб у приміщенні чи біля легкозаймистих матеріалів. Вихлопні гази мають високу температуру та можуть містити іскри, від яких можливе загоряння. Недостатнє провітрювання може призвести до травм або смерті внаслідок задухи чи отруєння монооксидом вуглецю.
- Під час використання виробу двигун створює електромагнітне поле. Електромагнітне поле може пошкодити медичні імплантати. Перш ніж

- працювати з цим приладом, проконсультуйтеся з лікарем і виробником медичного імплантату.
- Не давайте використовувати прилад дітям. Не давайте використовувати прилад особам, що не ознайомилися з інструкціями.
 - Завжди спостерігайте за особами з обмеженими фізичними чи розумовими можливостями, що використовують виріб. Біля виробу, що працює, повинна завжди знаходитися відповідальна доросла особа.
 - Зачинайте виріб у місці, куди не зможуть отримати доступ діти та особи, що не мають належної підготовки для використання виробу.
 - З під виробу можуть викидатися предмети, що може призвести до травм. Для зменшення ризику травм або смерті дотримуйтеся правил техніки безпеки.
 - Не відходьте далеко від працюючого виробу.
 - У разі нещасного випадку відповідальність несе оператор.
 - Перед використанням виробу переконайтеся, що його деталі не мають пошкоджень.
 - Перед використанням виробу переконайтеся в тому, що ви перебуваєте на відстані щонайменше 15 м (50 футів) від інших осіб або тварин. Переконайтеся в тому, що особи на прилеглий території знають, що ви збираєтеся використовувати виріб.
 - Дотримуйтеся державного та місцевого законодавства. Норми законодавства можуть забороняти або обмежувати використання виробу в деяких умовах.
 - Заборонено використовувати виріб, якщо ви втомлені чи перебуваєте під впливом наркотиків, алкоголю або медикаментів. Ці речовини можуть вплинути на зір, реакцію, координацію рухів або спроможність робити зважені рішення.

Противібраційна безпека

Цей виріб призначено для періодичного використання. Тривала або регулярна робота з виробом може призвести до синдрому білих пальців або інших хвороб через вібрацію. У разі тривалої або регулярної експлуатації виробу перевіряйте стан своїх рук та пальців. Якщо колір ваших рук або пальців змінився, ви відчуваєте в них біль, поколювання або оніміння, припиніть роботу та негайно зверніться до лікаря.

Правила техніки безпеки під час користування повітродувом

- Використовуйте виріб тільки для здування або прибирання листя чи іншого сміття з землі.
- Не використовуйте виріб, якщо ви втомлені, хворі, чи перебуваєте під впливом наркотиків, алкоголю або медикаментів.
- Не дозволяйте стороннім спостерігачам або тваринам перебувати на відстані ближче, ніж за 15 метрів від оператора.
- Виріб може викидати предмети з великою швидкістю, і вони можуть зрикошетити на оператора. Це може призвести до пошкодження очей.
- Не спрямовуйте насадку повітродува на людей або тварин.
- Необхідно слідкувати, щоб довге волосся було заколото вище рівня плечей.
- Зупиніть двигун перед встановленням або зняттям аксесуарів чи інших конструктивних елементів.
- Не використовуйте виріб за відсутності захисного кожуху.
- Не використовуйте виріб, якщо на робочій ділянці знаходяться люди. Зупиніть виріб у разі, якщо на робочу ділянку зайшла особа.
- Не використовуйте виріб у приміщеннях із недостатнім рухом повітря. Недостатнє провітрювання може призвести до травм або смерті внаслідок задухи чи отруєння монооксидом вуглецю.
- Глушник дуже сильно нагрівається під час роботи виробу, роботи на холостому ході та залишається гарячим після вимкнення. Будьте обережні під час роботи біля легкозаймистих матеріалів та газів.
- Не торкайтеся зони кришки впускного отвору. Тримайте ювелірні вироби та просторий одяг якомога далі від впускного отвору.
- Завжди зберігайте правильну стійку та використовуйте виріб лише на безпечних та рівних поверхнях. Стоячи на слизькій або нестійкій поверхні, наприклад, на драбині, можна втратити рівновагу або контроль.
- Не використовуйте виріб на високих ділянках, наприклад, на дахах.
- Для перевезення виробу слід надійно закріпити.
- Використовуйте виріб лише в рекомендований час. Дотримуйтеся місцевих норм. Зазвичай рекомендують використовувати виріб із 9:00 до 17:00 з понеділка по суботу.
- Для виконання роботи використовуйте виріб на найнижчій можливій швидкості.
- Переконайтеся, що під час використання виробу ви не владете. Не нахиляйтеся під час експлуатації виробу.
- Перед використанням переконайтеся, що виріб знаходиться в справному стані, особливо глушник, всмоктувач повітря та повітряний фільтр.
- Перед використанням виробу попрацюйте граблями або мітлою, щоб сміття не так щільно прилягало до землі.
- Якщо робоча ділянка брудна, обробіть її водою за допомогою шланга.

- Використовуйте виріб як альтернативу шлангу, щоб зберегти воду.
- Здувайте сміття обережно. Остерігайтеся дітей, тварин, відкритих вікон та автомобілів.
- Не направляйте виріб на рослини, що можуть легко пошкодитися.
- Не видуйте повітря в напрямку об'єктів на кшталт стін, великих каменів, транспортних засобів та огорож.
- У разі роботи з внутрішніми кутами, видуйте повітря в напрямку центру робочої зони. За невиконання цієї умови сміття може потрапити в обличчя та призвести до травмування очей.
- Висувайте насадку на максимальну довжину, щоб струмінь повітря працював поблизу від землі.
- Сторонні особи також повинні мати засоби захисту очей.
- Після використання виробу викиньте сміття в контейнери для відходів.

Правила техніки безпеки під час користування пілососом

- Не допускайте пошкодження вентилятора. Не всмоктуйте великих твердих об'єктів на кшталт глок, бляшанок, шматків гуми або довгих мотузок.
- Всмоктувальна труба не повинна торкатися землі.
- Перед усуненням засмічення або забруднюючих матеріалів слід зупинити двигун та від'єднати ковпак свічки запалювання.

Засоби індивідуального захисту

- Під час експлуатації виробу завжди використовуйте відповідні засоби індивідуального захисту. Засоби індивідуального захисту не усувають повністю ризик отримання травм. Засоби індивідуального захисту знижують рівень пошкоджень у разі нещасного випадку.
- Під час експлуатації виробу завжди користуйтеся відповідними засобами захисту очей.
- Не використовуйте виріб, не надягнувши взуття або перебуваючи у відкритому взутті. Завжди використовуйте надміцні чоботи із захистом від ковзання.
- Використовуйте цупкі довгі штани.
- За необхідності використовуйте сертифіковані захисні рукавиці.
- У разі наявності ризику падіння предметів на голову, використовуйте шолом.
- Під час експлуатації виробу завжди користуйтеся відповідними засобами захисту органів слуху. Довготривалий вплив шуму може призвести до втрати слуху.
- Під час експлуатації виробу в запилених середовищах завжди користуйтеся відповідним респіратором.
- Переконайтеся, що поряд є набір засобів для надання першої медичної допомоги.

Захисні засоби на пристрої

- Переконайтеся, що технічне обслуговування виробу проводиться регулярно.
 - Строк служби виробу збільшується.
 - Безпека виникнення нещасних випадків зменшується.
- Регулярний огляд, регулювання або ремонт виробу повинен проводитися авторизованим дилером або сервісним центром.
- Не використовуйте виріб з пошкодженням захисним спорядженням. У разі пошкодження виробу, зверніться до авторизованого сервісного центру.

Вимикач

Запустіть двигун. Переконайтеся, що двигун вимикається, коли ви переводите вимикач у позицію зупинки.

Глушник



ПОПЕРЕДЖЕННЯ: Забороняється доторкатися до гарячого глушника. Глушник дуже сильно нагрівається під час роботи двигуна та залишається гарячим після вимкнення виробу. Доторкнувшись до нього, можна обпектися.

- Не запускайте двигун з пошкодженим глушником. Пошкоджений глушник збільшує рівень шуму та підвищує небезпеку загоряння. Тримайте поруч вогнегасник.
- Регулярно перевіряйте кріплення глушника до виробу.
- Не торкайтеся двигуна або глушника під час роботи двигуна. Після зупинки двигуна почекайте деякий час перш ніж торкатися двигуна або глушника. Контакт із гарячими поверхнями може призвести до травм.
- Гарячий глушник може призвести до загоряння. Будьте обережні в разі використання виробу біля легкозаймистих рідин або газів.
- Не торкайтеся частин глушника в разі його пошкодження. Ці частини можуть містити канцерогенні хімічні речовини.
- Деякі моделі повітродувів оснащені іскрогасником, який слід чистити та замінювати з указаними інтервалами. Див. розділ «Технічне обслуговування» (*ТЕХНІЧНЕ ОБСЛУГОВУВАННЯ на сторінці 305*).

Заходи безпеки при заправці палива

- Не запускайте виріб, якщо на ньому залишилися пальне або моторна олива. Приберіть непотрібне пальне/оливу та дайте виробу просохнути. Приберіть непотрібне пальне з виробу.

- Якщо ви пролили пальне на свій одяг, негайно переодягніться.
- Не допускайте потрапляння пального на тіло, адже це може призвести до травм. Для видалення пального, що потрапило на тіло, використовуйте мило та воду.
- Не запускайте двигун у разі потрапляння оливи або пального на виріб або тіло.
- Не запускайте виріб у разі наявності протікання у двигуні. Регулярно перевіряйте двигун на протікання.
- Будьте обережні при поводженні з палимим. Пальне є легкозаймистою речовиною, а його пари вибухонебезпечні та можуть призвести до травм або смерті.
- Не вдихайте вихлопні гази, це може призвести до травм. Забезпечте належне провітрювання.
- Не паліть біля пального або двигуна.
- Не кладіть біля пального або двигуна теплі предмети.
- Не доливайте пальне в працюючий виріб.
- Перед заправленням переконайтеся, що двигун охолонув.
- Перед заправленням повільно відкрийте кришку паливного бака, обережно зменшивши тиск.
- Не заправляйте виріб у приміщенні. Недостатнє провітрювання може призвести до травм або смерті внаслідок задухи чи отруєння монооксидом вуглецю.
- Обережно затягуйте кришку паливного бака, адже існує ризик виникнення пожежі.
- Перед запуском пересуньте виріб на 3 м від місця, де ви заправляли його.
- Не заливайте в паливний бак занадто багато палива.
- Переконайтеся у відсутності ризику протікань під час перемищення виробу або ємності для пального.
- Не залишайте виріб або ємність для пального біля відкритого вогню, джерела іскор або запальника. Переконайтеся, що в зоні зберігання відсутні джерела відкритого вогню.
- Під час перемищення або зберігання палива користуйтеся лише сертифікованими ємностями.
- Спустошуйте паливний бак перед тривалим зберіганням. Дотримуйтеся місцевого законодавства щодо утилізації пального.
- Очищуйте виріб перед тривалим зберіганням.
- Щоб двигун випадково не запустився, перед зберіганням необхідно зняти кабель свічки запалювання.

Правила техніки безпеки під час обслуговування



ПОПЕРЕДЖЕННЯ: Неправильне технічне обслуговування може спричинити серйозні пошкодження двигуна або тяжкі травми.

Власник зобов'язаний виконувати роботи з необхідного технічного обслуговування, які вказані в посібнику користувача. Перед технічним обслуговуванням знімайте ковпачок зі свічки запалювання. Не виймайте свічку запалювання для регулювання карбюратора.

ЗБИРАННЯ



ПОПЕРЕДЖЕННЯ: Перед збиранням виробу прочитайте розділ про правила техніки безпеки.

Установлення верхньої випускної труби повітродува

1. Вирівняйте проріз на верхній випускній трубі повітродува (А) з виступом на випускному отворі (В) повітродува. (Мал. 23)
2. Повністю вставте верхню випускную трубу повітродува у випускний отвір повітродува.
3. Повертайте верхню випускную трубу повітродува, доки отвір на трубі не суміститься з різьбою на гайці у випускному отворі повітродува. (Мал. 24)
4. Установіть гвинт (С). (Мал. 25)
5. Для прикріплення труби поверніть гвинт за годинниковою стрілкою за допомогою викрутки.

Установлення нижньої випускної труби повітродува

1. Сумістіть прорізи на нижній випускній трубі (А) повітродува з виступами на верхній випускній трубі (В) повітродува. (Мал. 26)
2. Повністю насуньте нижню випускную трубу повітродува на верхню випускную трубу повітродува.
3. Повністю поверніть нижню випускную трубу повітродува, доки виступ не ввійде в зачеплення в кінці прорізу. (Мал. 27)

Установлення™ випускної труби VX повітродува

1. Сумістіть прорізи на™ випускній трубі VX (А) повітродува з виступами на верхній випускній трубі (В) повітродува. (Мал. 28)
2. Повністю насуньте випускную трубу VX™ повітродува на верхню випускную трубу повітродува.

3. Повертайте випускню трубу VX повітродува,™ доки виступ не увійде в зачеплення в кінці прорізу. (Мал. 29)

Установлення верхньої всмоктувальної труби

1. Вставте викрутку в зону фіксатора впускного отвору. (Мал. 30)
2. Щоб відпустити фіксатор, обережно нахиліть ручку викрутки в напрямку передньої частини пристрою.
3. Тримайте кришку впускного отвору відкритою, доки верхня всмоктувальна труба не опиниться на місці. (Мал. 31)
4. Сумістіть фланець усередині впускного отвору з прорізами на верхній всмоктувальній трубі.

Зверніть увагу: Сумістіть індикатори на впускному отворі й на верхній всмоктувальній трубіці.

5. Повністю вставте верхню всмоктувальну трубу у впускний отвір.
6. Повністю поверніть верхню всмоктувальну трубу за годинниковою стрілкою до клацання. (Мал. 32)

Установлення нижньої всмоктувальної труби

1. Сумістіть проріз на нижній всмоктувальній трубі з виступом на верхній всмоктувальній трубі.

2. Повністю насуньте нижню всмоктувальну трубу на верхню всмоктувальну трубу, доки виступ не ввійде в зачеплення на кінці прорізу. (Мал. 33)
3. Установіть гвинт.
4. Для прикріплення труби поверніть гвинт за годинниковою стрілкою за допомогою викрутки. (Мал. 34)

Установлення труби мішка

1. Сумістіть проріз на трубі (А) мішка з виступом на випускному отворі (В) повітродува. (Мал. 35)
2. Повністю насуньте трубу мішка на випускний отвір.
3. Повертайте трубку мішка, доки отвір на трубі не суміститься з різьбою в гайці у випускному отворі повітродува. (Мал. 36)
4. Установіть гвинт (С).
5. Для прикріплення труби поверніть гвинт за годинниковою стрілкою за допомогою викрутки. (Мал. 37)

ЕКСПЛУАТАЦІЯ



ПОПЕРЕДЖЕННЯ: Перед використанням виробу уважно прочитайте розділ про правила техніки безпеки.



УВАГА: Не використовуйте бензин із концентрацією етанолу більше 10% (E10). Це може призвести до пошкодження виробу.

Паливо

Використання палива



УВАГА: Цей виріб оснащений двотактним двигуном. Використовуйте суміш бензину та моторної оливи для двотактних двигунів. Для суміші використовуйте правильну кількість оливи. Невірне співвідношення бензину та оливи може призвести до пошкодження двигуна.

- Завжди використовуйте новий неетилований бензин з мінімальним октановим числом 90 RON (87 AKI) та концентрацією етанолу менше 10% (E10).
- У разі частого використання виробу з високою частотою обертання двигуна, необхідно використовувати бензин з вищим октановим числом.

Двотактна моторна олива

- Використовуйте лише високоякісну двотактну моторну оливу. Використовуйте лише моторну оливу для повітряного охолодження.
- Не використовуйте інші типи оливи.
- Співвідношення компонентів 50:1 (2%)

Бензин



УВАГА: Не використовуйте бензин із октановим числом нижче 90 RON (87 AKI). Це може призвести до пошкодження виробу.

Бензин	Олива
1 амер. гал.	77 мл (2,6 унції)

Бензин	Олива
1 брит. гал.	95 мл (3,2 унції)
5 л	100 мл (3,4 унції)



УВАГА: Не дотягуйте трос стартера до крайнього положення. Не відпускайте ручку троса стартера, коли він повністю витягнутий. Це може призвести до пошкодження виробу.

Створення паливної суміші

Зверніть увагу: Для змішування суміші завжди використовуйте чисту паливну ємність.

Зверніть увагу: Не змішуйте об'єм суміші, яку не зможете використати протягом 30 днів.

1. Додайте половину кількості бензину.
2. Додайте всю оливу.
3. Збовтайте паливну суміш для змішування компонентів.
4. Додайте решту бензину.
5. Збовтайте паливну суміш для змішування компонентів.
6. Наповніть паливний бак.

Додавання палива

- Завжди використовуйте паливну ємність з антипропускним клапаном.
- Якщо на ємності знаходиться паливо, приборіть його та дайте ємності просохнути.
- Переконайтеся, що область навколо кришки паливного бака чиста.
- Перед додаванням паливної суміші в паливний бак збовтайте ємність з паливом.

Запуск і зупинення роботи

Перед запуском двигуна

- Перевірте виріб на предмет відсутніх, пошкоджених, розхитаних або зношених деталей.
- Перевірте мішок. Переконайтеся, що мішок не пошкоджений, а замок-блискавка застібнутий.
- Перевірте гайки, гвинти та болти.
- Перевірте повітряний фільтр.
- Перевірте правильність роботи курка газу.
- Перевірте правильність роботи вимикача.
- Перевірте виріб на наявність витоків палива.

Запуск холодного двигуна



ПОПЕРЕДЖЕННЯ: Не намотуйте трос стартера на руку.



УВАГА: Не тримайте виріб ногами.

Зверніть увагу: Якщо двигун зупинився, переведіть повітряну заслінку в закрите положення та повторіть описані раніше дії.

1. Залийте до паливного бака чисту паливну суміш.
2. Лівою рукою притисніть корпус інструмента до землі. Переконайтеся в тому, що кінець повітродува не спрямовано на людей, тварин, скляні і тверді предмети.
3. Повільно натисніть кнопку продувки повітрям 10 разів.
4. Переведіть важіль заслінки в положення «ПОВНІСТЮ ЗАКРИТО».
5. Стисніть і утримуйте дросельний регулятор.
6. Потягніть ручку троса стартера, доки двигун не почне заводитися, але не більше 3 разів.

Зверніть увагу: Якщо температура повітря нижче 4 °C (40 °F), повторюйте ці дії, доки двигун не заведеться.

7. Переведіть важіль заслінки в положення «НАПОЛОВИНУ ВІДКРИТО».
8. Швидко потягніть ручку троса стартера. За необхідності повторюйте, доки двигун не запуститься.
9. Дайте двигуну попрацювати 10 секунд.
10. Переведіть важіль заслінки в положення «ПОВНІСТЮ ВІДКРИТО».

Запуск теплового двигуна

1. Повільно натисніть кнопку продувки повітрям 10 разів.
2. Переведіть важіль заслінки в положення «НАПОЛОВИНУ ВІДКРИТО».
3. Швидко потягніть ручку троса стартера. За необхідності повторюйте, доки двигун не запуститься.
4. Переведіть важіль заслінки в положення «ПОВНІСТЮ ВІДКРИТО».

Запуск двигуна з паровою пробкою

Парова пробка виникає, коли паливо в паливопроводі або карбюраторі випаровується через підвищену температуру.

Якщо виріб не перезапускається за температури навколишнього середовища більше ніж 35 °C (95 °F) і його було вимкнено на 15–45 хвилин, в ньому могла утворитися парова пробка.

1. Натискайте кнопку продувки повітрям без зупинки протягом 10–15 секунд.
2. Переведіть важіль заслінки в положення «НАПОЛОВИНУ ВІДКРИТО».
3. Швидко потягніть ручку троса стартера. За необхідності повторюйте, доки двигун не запуститься.
4. Дайте двигуну прогрітися протягом 3 хвилин на швидкості холостого ходу.
5. Переведіть важіль заслінки в положення «ПОВНІСТЮ ВІДКРИТО».

Зупинення двигуна

- Натисніть і відпустіть перемикач двигуна STOP (Стоп). Перемикач автоматично повернеться у положення ON (Увімк.). Перед спробою перезапуску виробу зачекайте 7 секунд, щоб переконатися, що перемикач перейде в початковий стан.

Регулювання™ випускної труби VX повітродува

1. Сумістіть відповідний проріз (А або В) на зовнішній™ випускній трубі VX повітродува з виступом (С) на внутрішній трубі. (Мал. 38)

Зверніть увагу: Коли труби встановлено, виступ побачити не можна. Необхідно відчувати положення виступу під час суміщення зовнішньої труби.

Зверніть увагу: Установіть виступ у положення А (великий отвір повітродува). Великий отвір повітродува дозволяє очищувати від сухого листя й інших небажаних предметів великі ділянки. Установіть виступ у положення В (малий отвір повітродува). Малий отвір повітродува дозволяє швидше очищувати тріщини та бордюри потоком повітря й переміщувати важкі матеріали, наприклад мокре листя.

2. Поверніть зовнішню трубку, як показано, щоб вивільнити виступ із зачеплення на прорізі. (Мал. 39)
3. Для зміни положення переміщуйте зовнішню трубку вздовж внутрішньої трубки. (Мал. 40)
4. Повертайте зовнішню трубку, як показано, доки виступ повністю не увійде в зачеплення в необхідному місці на прорізі. (Мал. 41)

Робоче положення

- Повітродув (Мал. 42)

- Всмоктування (Мал. 43)

Всмоктування

Перш ніж починати працювати в режимі всмоктування, надягніть необхідне захисне обладнання.



ПОПЕРЕДЖЕННЯ: Перед використанням переконайтеся, що мішок не пошкоджений, а замок-блискавка застібнуто. Не використовуйте пошкоджений мішок. Це допоможе уникнути травм від сміття, що може опинитися в повітрі. Робота з виробом лівою рукою підвищує ризики. Не допускайте, щоб частини тіла торкалися зони вихлопу.



ПОПЕРЕДЖЕННЯ: Ніколи не запускайте повітродув, якщо кришка впускного отвору відкрита або пошкоджена (за винятком випадків, коли під'єднана всмоктувальна труба).

- Під час роботи з повітродувом мішок необхідно підтримувати за допомогою плечового ремня. Ремінь необхідно надягати на верхню частину плеча.
- Запустіть повітродув. Виконуйте інструкції з розділу по запуску та зупинці *Запуск і зупинення роботи на сторінці 303*. Прочитайте інструкції з безпеки *БЕЗПЕКА на сторінці 298*.

Спорожнення мішка



ПОПЕРЕДЖЕННЯ: Завжди перевіряйте мішок. Перед використанням переконайтеся, що він не пошкоджений, а замок-блискавка застібнутий. Не користуйтеся пошкодженим мішком. Існує ризик травмування сміттям, що може з нього вилетіти. Будьте обережні, якщо працюєте лівою рукою. Не торкайтеся зони вихлопу.

1. Зупиніть виріб.
2. Відкрийте замок-блискавку на мішку.
3. Спорожніть мішок.
4. Закрийте замок-блискавку.

ТЕХНІЧНЕ ОБСЛУГОВУВАННЯ



ПОПЕРЕДЖЕННЯ: Перед очищенням, ремонтуванням чи технічним обслуговуванням уважно прочитайте розділ про правила техніки безпеки.

Графік технічного обслуговування

Завжди дотримуйтеся графіка технічного обслуговування. Інтервали вираховуються з урахуванням щоденного використання виробу. Значення інтервалів буде іншим, якщо ви не використовуйте виріб щоденно. Виконуйте лише те обслуговування, яке описане в цьому посібнику. Інформацію щодо інших видів обслуговування, не наведених у цьому посібнику, можна отримати в авторизованому сервісному центрі.

Щоденне технічне обслуговування

- Очищення зовнішніх поверхонь.
- Перевірка роботи регулятора швидкості та курка газу. Заміна пошкоджених деталей.
- Перевірка вимикача. За необхідності замінити його.
- Перевірка швидкості холостого ходу.
- Очищення повітряного фільтра. За необхідності замінити його.
- Переконайтеся, що кришка впускного отвору фіксується у закритому положенні. Переконайтеся, що крильчатка чиста.
- Затягніть всі гвинти та гайки.
- Переконайтеся, що на корпусах немає тріщин.
- Переконайтеся, що мішок не пошкоджений, а замок-блискавка працює. Замінити мішок у разі потреби.

Щотижневе технічне обслуговування

- Перевірка стану стартера, троса стартера і притисної пружини. Замінити всі пошкоджені деталі.
- Перевірка стану повітрязабірника на стартері. Якщо всмоктувач повітря забився, звільніть його від сміття.
- Очищення зовнішньої частини свічки запалювання. Витягніть її та перевірте проміжок між електродами. Відрегулюйте зазор між електродами до 0,6 мм чи замінити свічку запалювання.
- Очищення лопатей на крильчатці.
- Очищення іскрогасника та його заміна в разі потреби (це не стосується глушників із каталітичним допалювачем газів).
- Очищення зони карбюратора.
- Очищення повітряного фільтра.

Щомісячне технічне обслуговування

- Перевірка ручки троса стартера та троса стартера.
- Прочистіть паливний бак.
- Почистіть карбюратор та зону навколо нього.
- Очищення лопатей на крильчатці.
- Перевірте трубки паливної системи на предмет тріщин або інших пошкоджень. У разі необхідності замінити їх
- Замінити паливний фільтр у паливному баці.
- Перевірка всіх кабелів та з'єднань.
- Заміна свічки запалювання.
- Заміна повітряного фільтра.

Щорічне обслуговування

- Перевірка свічки запалювання.
- Очищення зовнішньої поверхні карбюратора та прилеглих до нього ділянок.
- Очищення системи охолодження.
- Перевірка іскрогасника.
- Перевірка паливного фільтра.
- Перевірка шланга подачі пального на пошкодження.
- Перевірка всіх кабелів та з'єднань.

Технічне обслуговування після 50 годин експлуатації

- Необхідно відремонтувати або замінити глушник в авторизованому сервісному центрі.

Налаштування швидкості холостого ходу

Перед налаштуванням швидкості холостого ходу переконайтеся, що повітряний фільтр чистий, а кришка повітряного фільтра встановлена.

Відрегулюйте швидкість холостого ходу регулювальним гвинтом. (Мал. 44)

Швидкість холостого ходу відрегульована правильно, якщо двигун працює рівномірно в будь-якому положенні.

1. Щоб збільшити швидкість повертайте гвинт регулювання холостого ходу за годинниковою стрілкою.
2. Щоб зменшити швидкість повертайте гвинт регулювання холостого ходу проти годинникової стрілки.

Технічне обслуговування іскрогасника

Для очищення іскрогасника використовуйте дротяну щітку.

Очищення системи охолодження

Очищуйте елементи системи охолодження за допомогою щітки.

Перевірка свічки запалювання



УВАГА: Завжди користуйтеся рекомендованими свічками запалення. Неправильний тип свічки запалювання може призвести до пошкодження виробу.

- У разі, якщо двигун втрачає потужність, його важко запустити або він погано працює на холостому ходу, необхідно перевірити свічку запалювання.
- Щоб зменшити ризик потрапляння зайвих предметів на електроди свічки запалювання, дотримуйтеся таких інструкцій:
 - а) переконайтеся, що швидкість холостого ходу встановлено правильно;
 - б) переконайтеся в правильності змішування паливної суміші;
 - с) переконайтеся, що повітряний фільтр чистий.
- Якщо свічка запалювання забруднена, її слід очистити й переконатися в тому, що проміжок між

електродами правильний. Див. *ТЕХНІЧНІ ХАРАКТЕРИСТИКИ* на сторінці 306. (Мал. 45)

- Замініть свічку запалювання за потреби.

Технічне обслуговування повітряного фільтра

Очищення повітряного фільтра

1. Зніміть кришку повітряного фільтра та витягніть повітряний фільтр.
2. Чистити повітряний фільтр потрібно теплою мильною водою. Перед встановленням переконайтеся, що повітряний фільтр сухий.
3. Якщо повітряний фільтр занадто брудний для очищення, замініть його. Пошкоджений повітряний фільтр необхідно замінювати обов'язково.
4. Якщо ваш виріб оснащений губчастим повітряним фільтром, використовуйте оливу для повітряних фільтрів. Оливу для повітряних фільтрів слід наносити лише на губчасті фільтри. Забороняється наносити оливу на фетровий фільтр.

ТЕХНІЧНІ ХАРАКТЕРИСТИКИ

	одиниця виміру	GBV 322 (GHB28VPR)	GBV 322VX (GHB28VPR)
Технічні характеристики двигуна			
Об'єм циліндра	см ³	26	26
Проміжок між електродами	мм	0,6	0,6
Об'єм паливного бака	см ³	500	500
Швидкість холостого ходу	об/хв	2800-3200	2800-3200
Максимальна потужність	об/хв	8000	8000
Вихідна потужність	кВт	0,8	0,8
Свічка запалення		Champion RCJ-6Y	Champion RCJ-6Y
Максимальна швидкість в режимі повітродува	об/хв	8600	8600
Максимальна швидкість у режимі пілососа	об/хв	--	7500
Період стійкості характеристик випромінювання	год	50	50
Дані щодо шуму та вібрації			
Еквівалентні рівні вібрації на ручках із повітродувними трубами та насадкою (оригінал) – див. примітку 1	м/с ²	7,5	7,5
Еквівалентні рівні вібрації на ручках зі всмоктувальними трубами (оригінал), ліворуч/праворуч – див. примітку 1	м/с ²	7,4	7,4

	одиниця виміру	GBV 322 (GHB28VPR)	GBV 322VX (GHB28VPR)
Еквівалентний рівень шумового тиску у вусі оператора, виміряний відповідно до стандартів ISO 22868, і за наявності випускних труб повітродува та насадкою (оригінал) – див. примітку 3	дБ(А)	95,6	95,6
Рівень звукової потужності, гарантований (L_{WA}) – див. примітку 2	дБ(А)	112	112
Рівень звукової потужності, виміряний – див. примітку 2	дБ(А)	109	109
Розміри виробу			
Вага	кг	4,4	4,5
<p>Примітка 1. Представлені дані про еквівалентний рівень вібрації мають типову статистичну дисперсію (стандартне відхилення) в $1,5 \text{ м/с}^2$.</p> <p>Примітка 2. Випромінювання шуму в середовище, виміряне як звукова потужність (L_{WA}), відповідає директиві ЄС 2000/14/ЄС. Зазначений рівень звукової потужності для машини був виміряний із оригінальним устаткуванням, що дає найвищий рівень. Різниця між гарантованим і вимірюваним рівнем звукової потужності полягає в тому, що гарантована звукова потужність включає також дисперсію результатів вимірювання та відмінності між різними машинами тієї самої моделі відповідно до Директиви 2000/14/ЄС.</p> <p>Примітка 3: Представлені дані для еквівалентного рівня звукового тиску для інструмента мають типову статистичну дисперсію (стандартне відхилення) в 3 дБ (А).</p>			

Вентилятор	одиниця виміру	GBV 322	GBV 322VX
Тип		Радіальний вентилятор	Радіальний вентилятор
Макс. швидкість подачі повітря, стандартна насадка	км/год	322	–
Макс. швидкість повітря,™ випускна труба VX повітродува*	км/год	–	370
Об'єм повітря в режимі повітродува	куб.фут/хв	370	450
Об'єм повітря в режимі пиლოსоса	куб. футів/хв	490	490
Ступінь мульчування		10:1	16:1
*Додатковий аксесуар			

ЗМІСТ ДЕКЛАРАЦІЇ ВІДПОВІДНОСТІ ЄС

Ми, Husqvarna AB, SE 561 82 м. Гускварна, Швеція, заявляємо під свою виключну відповідальність, що представлений виріб:

Опис	Бензиновий повітродув / повітродув-пиლოსос
Бренд	McCulloch®

Опис	Бензиновий повітродув / повітродув-пилосос
Платформа / Тип / Модель	Платформа GHB28VPR, представлено модель GBV 322, GBV 322VX
Партія	Серійні номери за 2018 рік і пізніше

повністю відповідає наступним директивам і нормам ЄС:

Директива/норма	Опис
2006/42/EC	«Про механічне обладнання»
2014/30/EU	«Про електромагнітну сумісність»
2000/14/EC	«Про випромінювання шуму від обладнання, призначеного для використання надворі»

Застосовуються наступні узгоджені стандарти й/або технічні специфікації: EN ISO 12100, EN 15503, CISPR 12, ISO 14982.

Згідно з директивною 2000/14/EC, додаток V, заявлені шумові характеристики зазначені в розділі технічних даних цього посібника й у підписаній декларації відповідності ЄС.

Компанія TÜV Rheinland N.A. виконала добровільну перевірку компанії Husqvarna AB і видала їй сертифікат відповідності нормам директиви Ради ЄС 2006/42/EC «Про машини та механізми».

Сертифікат, як зазначено в підписаній декларації відповідності ЄС, діє для всіх місць виробництва й країн-виробників, зазначених на виробі.

Бензиновий повітродув / повітродув-пилосос, що постачається, відповідає зразкам, які пройшли перевірку.



www.mcculloch.com

Original instructions
Оригинални инструкции
Originalna uputstva
Původní pokyny
Originale instruktioner
Originalanweisungen
Αρχικές οδηγίες
Instrucciones originales
Originaaljuhend
Alkuperäiset ohjeet
Instructions d'origine
Originalne upute
Eredeti útmutatás
Istruzioni originali

Originalios instrukcijos
Lietošanas pamācība
Originele instructies
Originale instruksjoner
Oryginalne instrukcje
Instrucções originais
Instrucțiuni inițiale
Оригинальные инструкции
Põvodné pokyny
Izvirna navodila
Originalna uputstva
Bruksanvisning i original
Orjinal talimatlar
Оригинальні інструкції

114098038



2018-09-18