

**SANICOMPACT COMFORT  
SANICERAMIC 4**

102

03.17

# SFA



**SANICOMPACT Comfort® / SANICERAMIC 4®**

**FR** NOTICE D'INSTALLATION

**UK** INSTALLATION INSTRUCTIONS

**DE** INSTALLATIONSHINWEISE

**IT** STRUZIONI PER L'INSTALLAZIONE

**ES** MANUAL DE INSTALACIÓN

**PT** MANUAL DE INSTALAÇÃO

**NL** INSTALLATIE VOORSCHRIFTEN

**SE** INSTALLATIONSANVISNING

**DK** INSTALLATIONSVEJLEDNING

**NO** INSTALLASJONSANVISING

**FI** ASENNUSOHJEET

**HU** FELSZERELÉSI ÉS KEZELÉSI ÚTMUTATÓ

**PL** INSTRUKCJA INSTALACJI

**RU** ИНСТРУКЦИЯ ПО МОНТАЖУ И ЭКСПЛУАТАЦИИ

**RO** MANUAL DE INSTALARE

**CZ** NÁVOD K INSTALACI A POUŽÍVÁNÍ

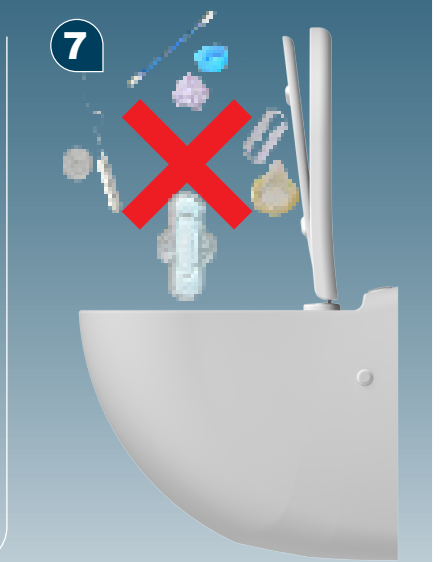
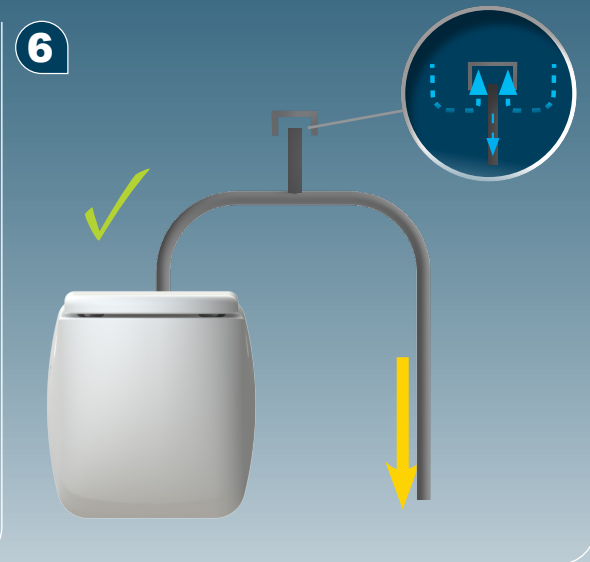
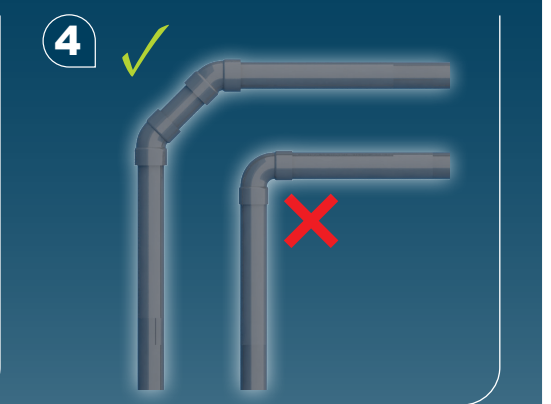
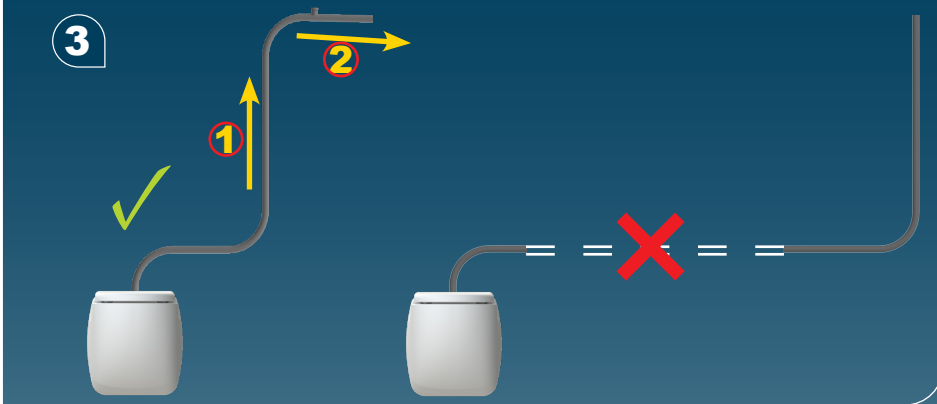
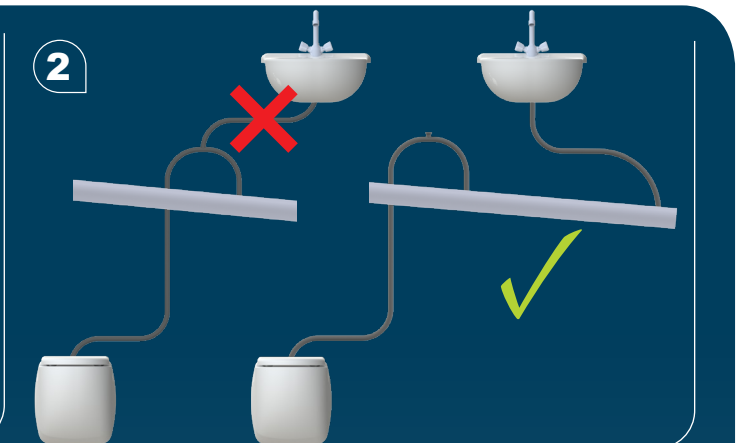
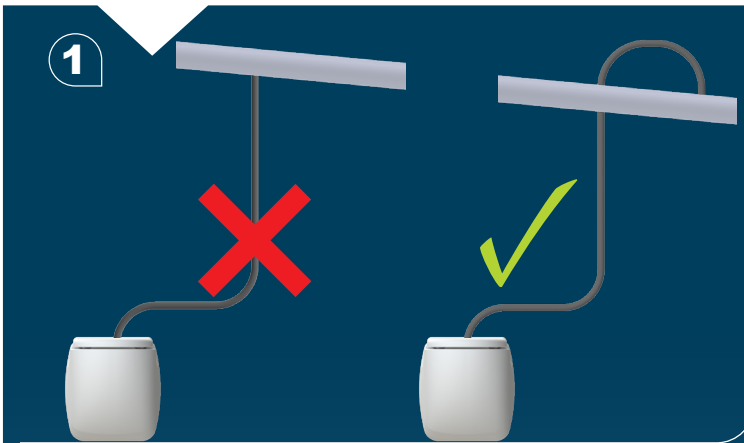
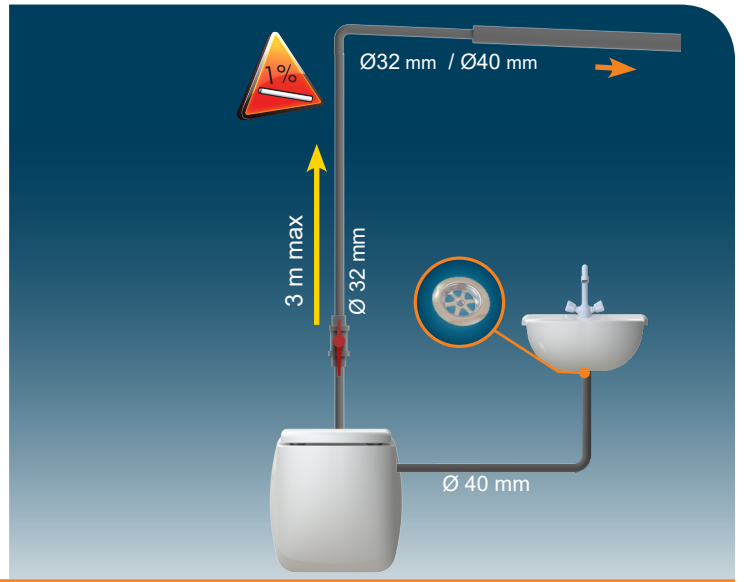
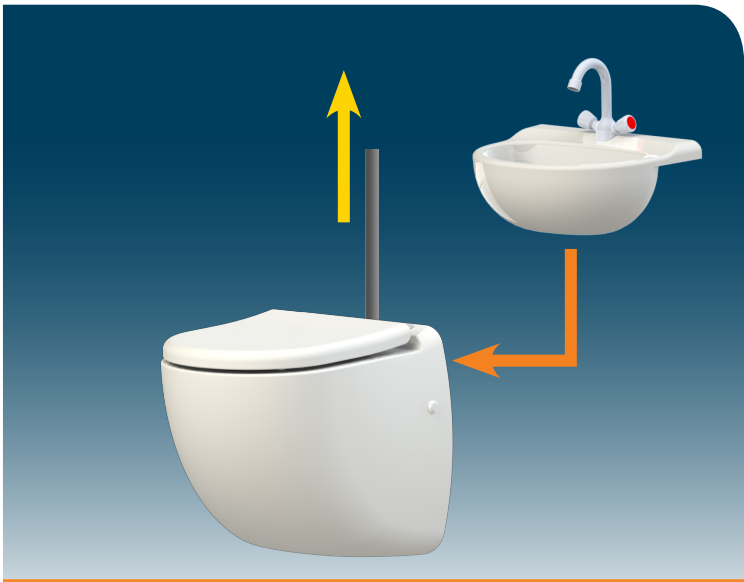
**TR** KURULUM KILAVUZU

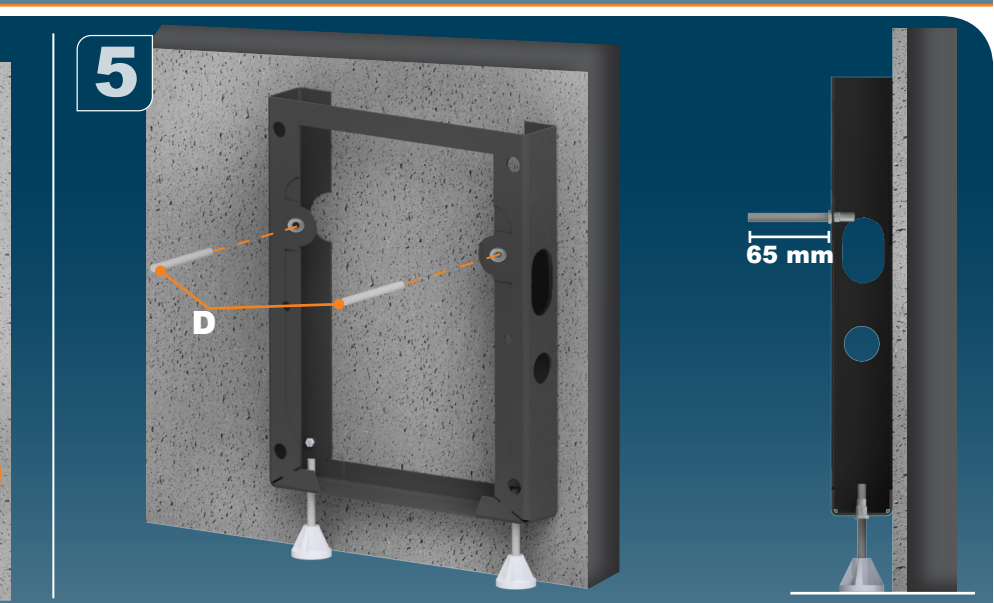
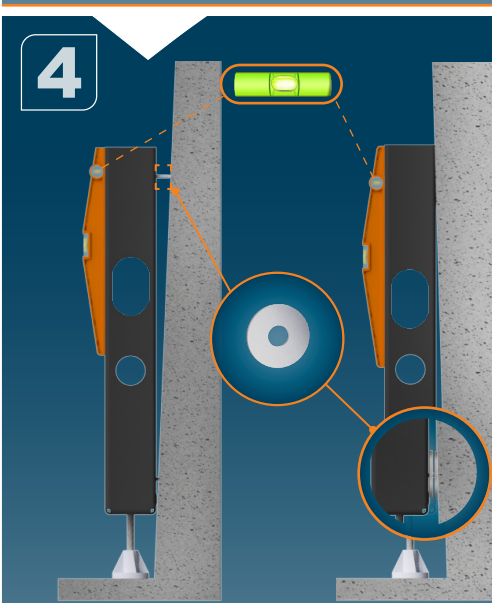
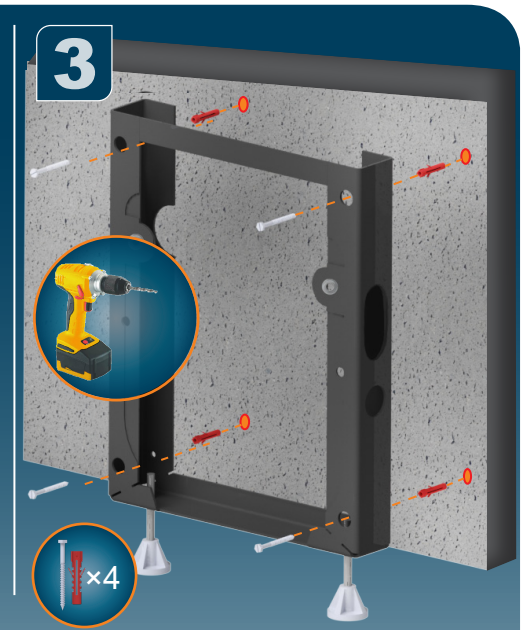
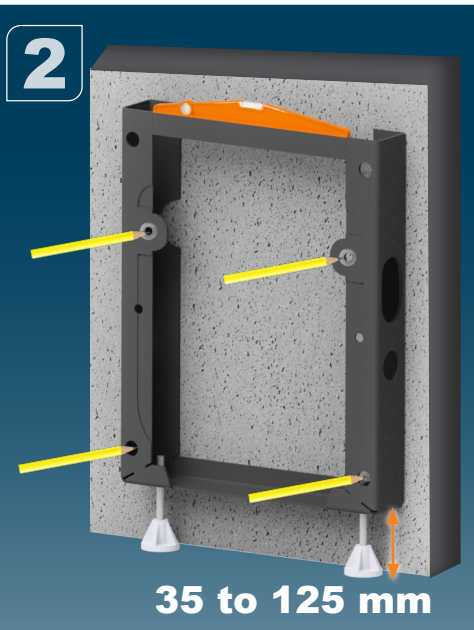
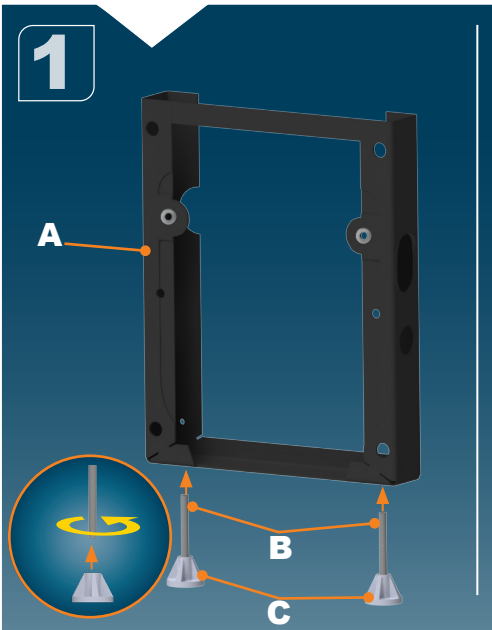
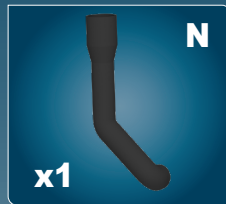
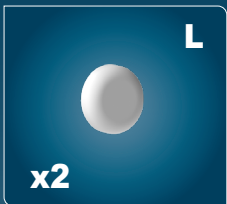
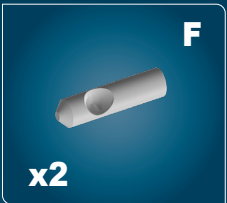
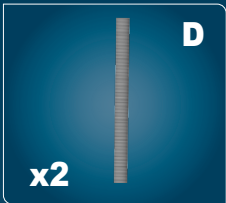
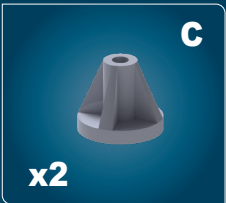
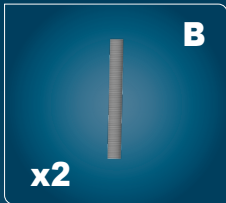
**EL** ΟΔΗΓΙΕΣ ΕΓΚΑΤΑΣΤΑΣΗΣ

**CN** 用户应保留安装指南以备用

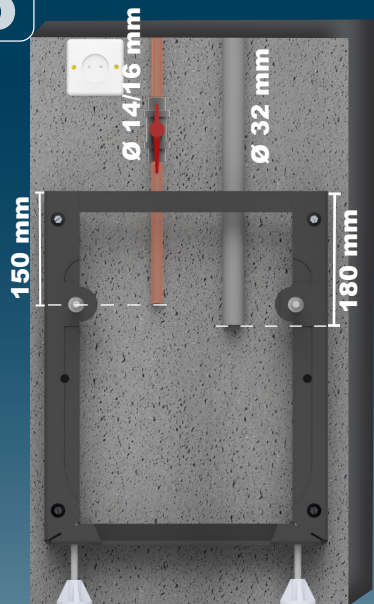
**KR** 설치내용서

**CE**

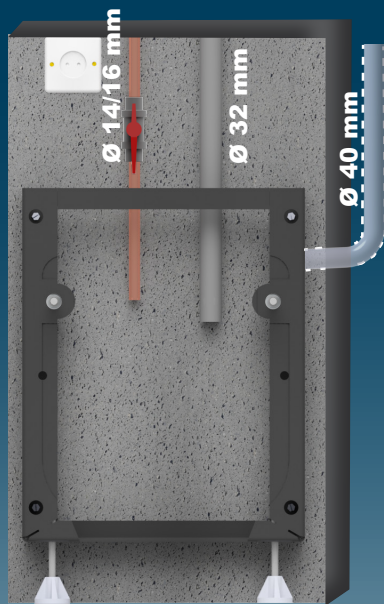




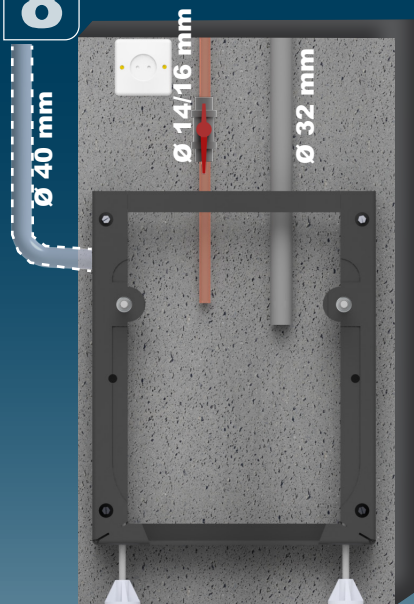
6



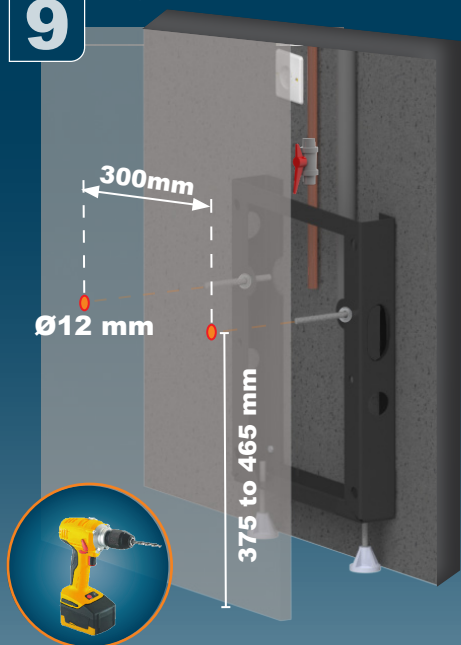
7



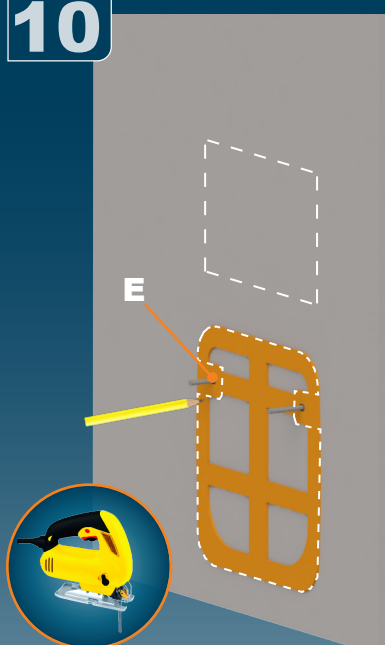
8



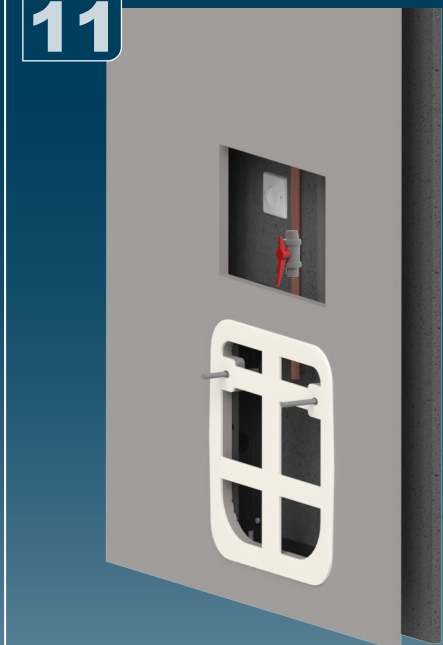
9



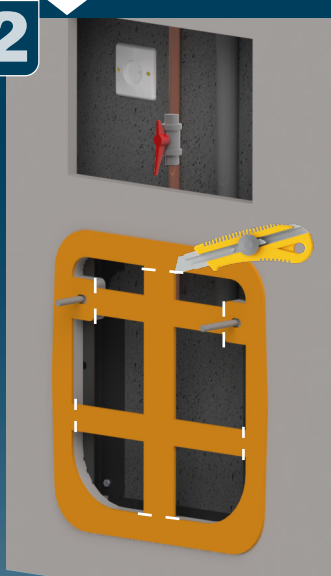
10



11



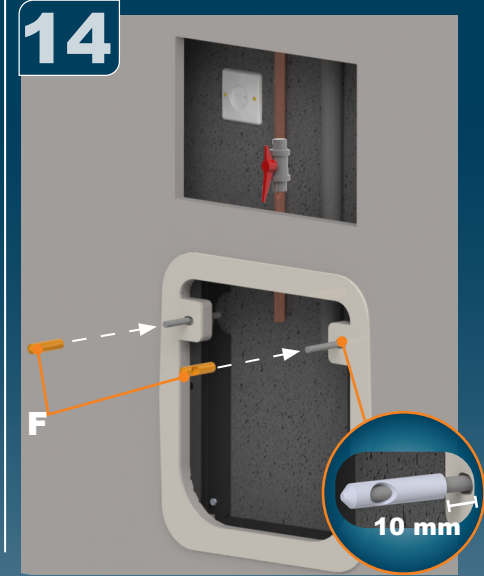
12



13

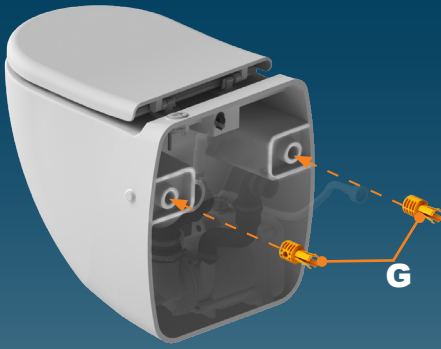


14

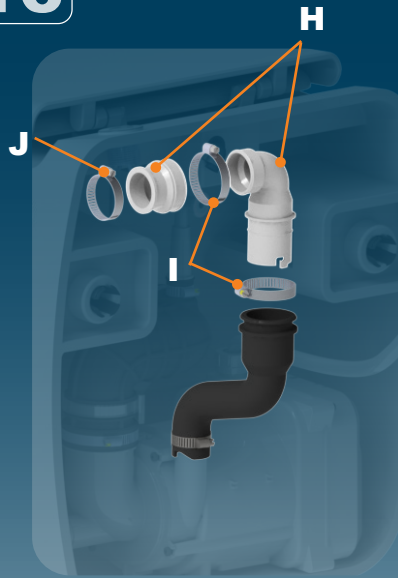




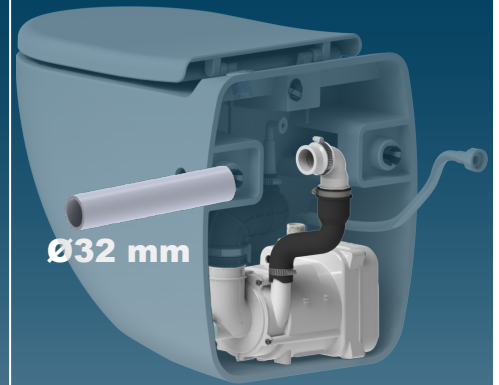
15



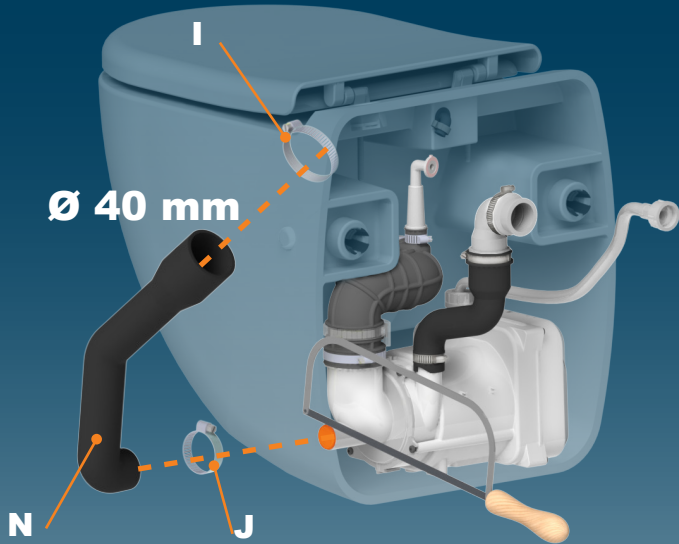
16



17



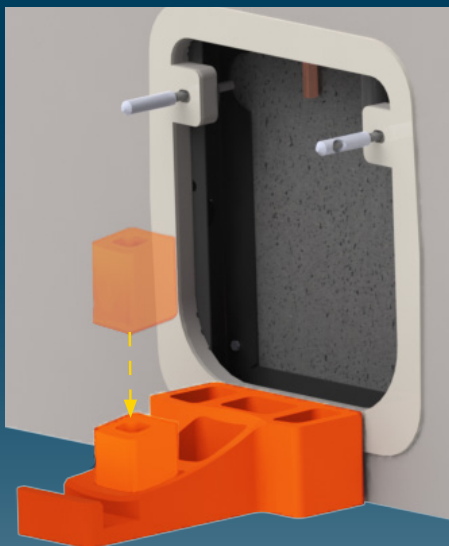
18



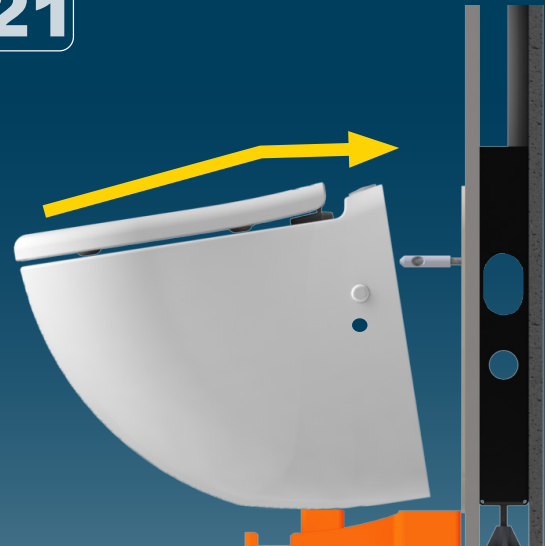
19



20



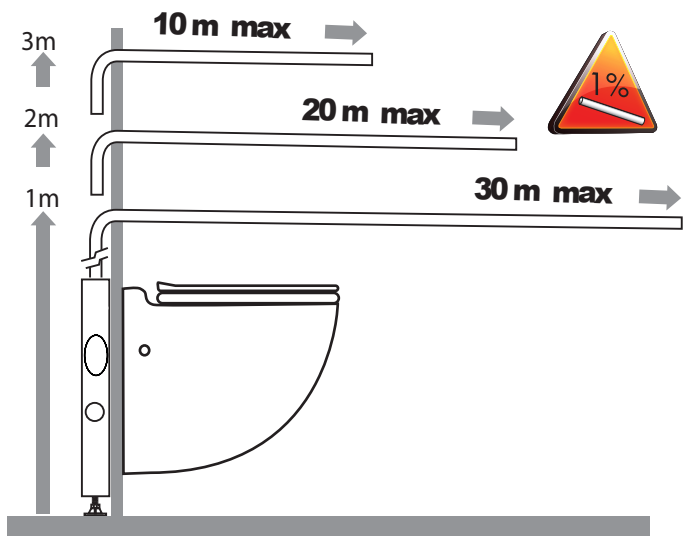
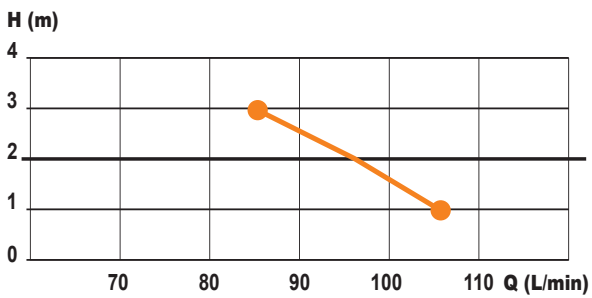
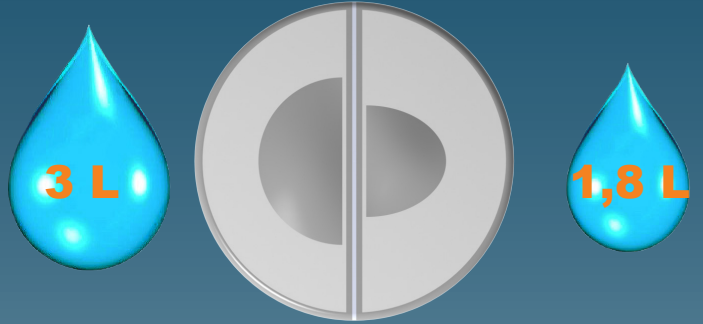
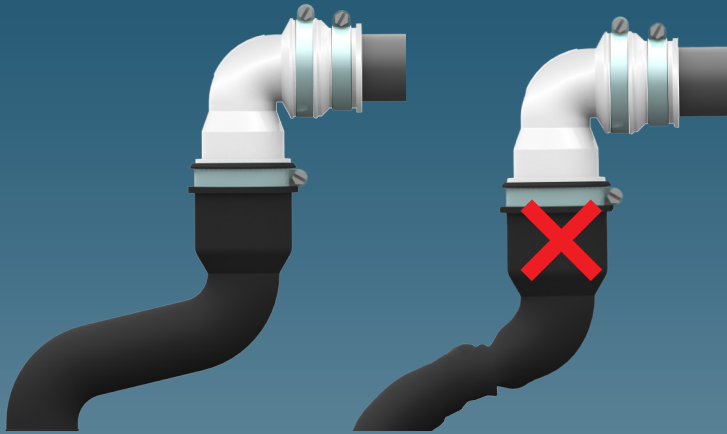
21



22

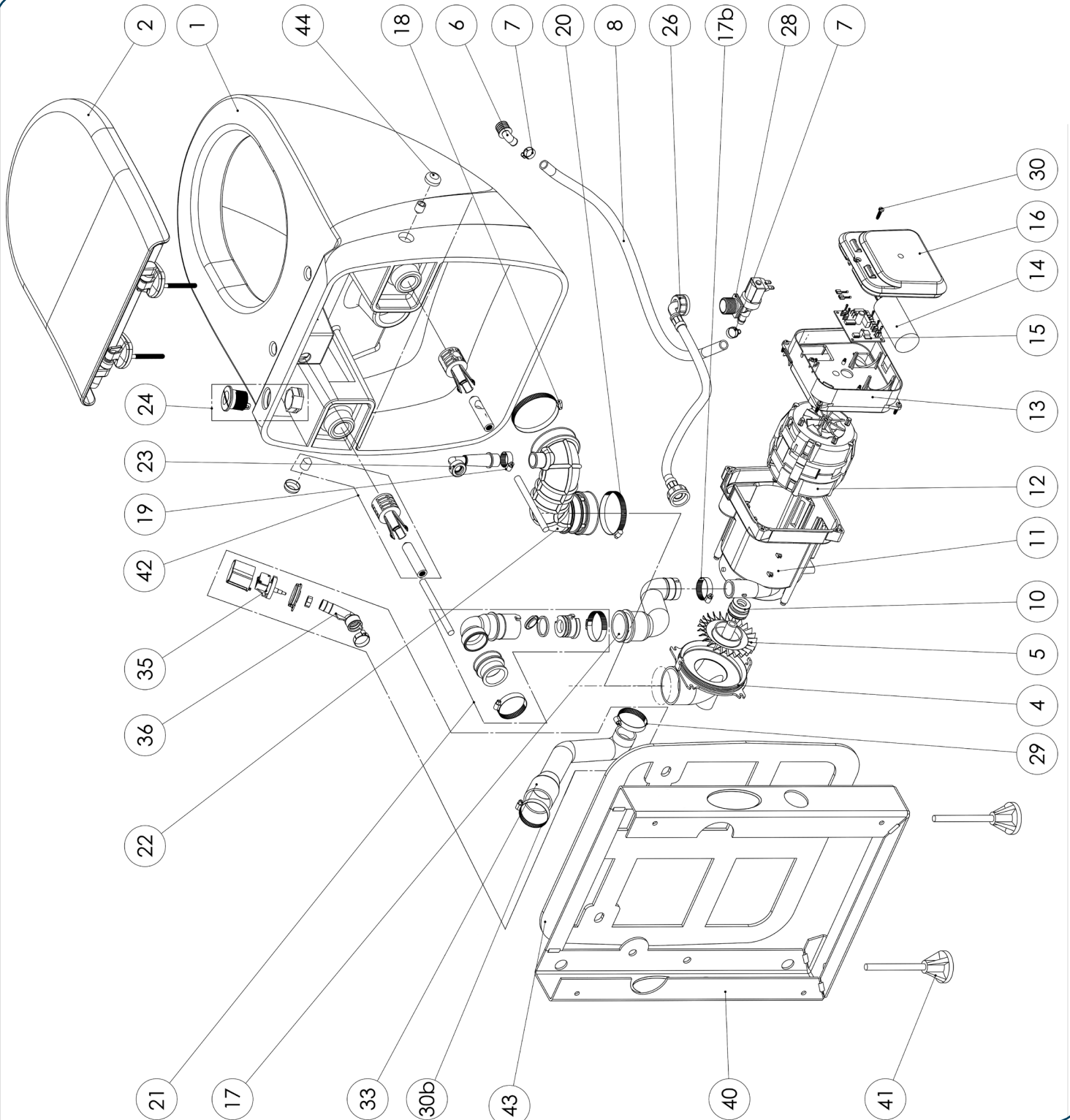
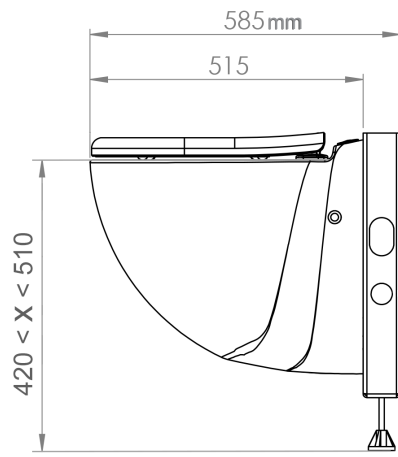
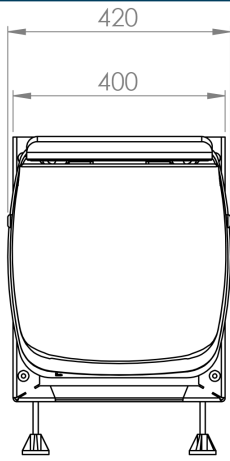


23



**SANICOMPACT Comfort  
CR15 DF**

**220-240 V - 50 Hz - 550 W - IP44 - ⚡**



**FRANCE****SOCIÉTÉ FRANÇAISE  
D'ASSAINISSEMENT**

41 bis avenue Bosquet - 75007 Paris  
Tél. +33 1 44 82 39 00  
Fax +33 1 44 82 39 01

**UNITED KINGDOM**

**SANIFLO Ltd.**,  
Howard House, The Runway  
South Ruislip Middx.,  
HA4 6 SE  
Tel. +44 208 842 0033  
Fax +44 208 842 1671

**IRELAND**

**SANIRISH Ltd**  
IDA Industrial Estate  
Edenderry - County Offaly  
Tel. + 353 46 9733 102  
Fax + 353 46 97 33 093

**AUSTRALIA**

**SANIFLO (Australasia) Pty Ltd**  
Unit 9/10, 25 Gibbes Street  
Chatswood NSW 2067  
Tel. +61 298 826 200  
Fax +61 298 826 950

**DEUTSCHLAND**

**SFA SANIBROY GmbH**  
Waldstr. 23 Geb. B5 - 63128  
Dietzenbach  
Tel. (060 74) 30928-0  
Fax (060 74) 30928-90

**ITALIA**

**SFA ITALIA spa**  
Via del Benessere, 9  
27010 Sizzano (PV)  
Tel. 03 82 61 81  
Fax 03 82 61 8200

**ESPAÑA**

**SFA S.L.**  
C/ Vinyalets, 1 - Pl. Can Vinyalets  
08130 Sta. - Perpètua de Mogoda - Barcelona  
Tel. +34 93 544 60 76  
Fax +34 93 462 18 96

**PORTUGAL**

**SFA, Lda.**  
Sintra Business Park, ed.01-1°P2710-089 SINTRA  
Tel. +35 21 911 27 85  
Fax +35 21 957 70 00

**РОССИЯ**

**SFA РОССИЯ**  
101000 Москва - Колпачный переулок 9а  
Тел. (495) 258 29 51  
Факс. (495) 258 29 51

**SUISSE SCHWEIZ SVIZZERA**

**SFA SANIBROY AG**  
Vorstadt 4  
3380 Wangen a. A.  
Tel. + 41 (0)32 631 04 74  
Fax + 41 (0)32 631 04 75

**BENELUX**

**SFA BENELUX B.V.**  
Industrieweg 1c-d,  
6101 WS ECHT  
Tel. +31 475 487100  
Fax +31 475 486515

**SVERIGE**

**SANIFLO AB**  
BOX 797  
S-191 27 Sollentuna  
Tel. +46 (0)8-404 15 30  
info@saniflo.se

**POLSKA**

**SFA POLAND Sp. z o.o.**  
ul. Białolecka 168  
03-253 Warszawa  
Tel. (+4822) 732 00 32  
Fax (+4822) 751 35 16

**ČESKÁ REPUBLIKA**

**SFA-SANIBROY, spol. s r.o.**  
Sokolovská 445/212, 180 00 Praha 8  
Tel. +420 266 712 855  
Fax, +420 266 712 856

**ROMANIA**

**SFA SANIFLO S.R.L.**  
145B Foisorului Street District 3  
31177 BUCURESTI  
Tel. +40 256 245 092  
Fax +40 256 245 029

**TÜRKIYE**

**SFA SANIHYDRO LTD STI**  
Mecidiye Cad No:36-B Sevencan APT  
34394 MECIDIYEKÖY - ISTANBUL  
Tel. +90 212 275 30 88  
Fax, +90 212 275 90 58

**CHINA**

**SFA 中国**  
上海市静安区石门二路333弄3号振安  
广场恒安大厦27C (200041)  
Tel. +86(0)21 6218 8969  
Fax. +86(0)21 6218 8970

**KOREA**

**www.SFA.biz**  
sales@saniflo-korea.kr

**South Africa**

**Saniflo Africa (PTY) Ltd**  
Unit A6, Spearhead Business Park  
Cnr. Freedom Way & Montague Drive  
Montague Gardens, 7441  
Tel. +27 (0) 21 286 00 28  
[www.saniflo.co.za](http://www.saniflo.co.za)

**BRAZIL**

**SFA Brasil Equipamentos Sanitários,**  
Rua Maria Figueiredo 595  
CEP 04002-003 SAO PAULO / SP  
Tel. (11) 3052-2292  
santrit@sanitrit.com.br

**NEW ZELAND**

**Saniflo New Zealand Ltd**  
PO Box 383 Royal Oak,  
Auckland 1345  
Tel : 09 390 4615  
Fax : +61 2 9882 6950

**SERVICE HELPLINES**

	TEL	FAX			
France	01 44 82 25 55	03 44 94 46 19	Benelux	+31 475 487100	+31 475 486515
United Kingdom	08457 650011 (Call from a land line)	020 8842 1671	Sverige	+46 (0)8-404 15 30	
Ireland	1850 23 24 25 (LOW CALL)	+ 353 46 97 33093	Norge	+46 (0)8-404 15 30	
Australia	+1300 554 779	+61.2.9882.6950	Polska	(+4822) 732 00 33	(+4822) 751 35 16
Deutschland	0800 82 27 82 0	(060 74) 30928-90	POCCИЯ	(495) 258 29 51	(495) 258 29 51
Italia	0382 6181	+39 0382 618200	Česká Republika	+420 266 712 855	+420 266 712 856
España	+34 93 544 60 76	+34 93 462 18 96	România	+40 256 245 092	+40 256 245 029
Portugal	+35 21 911 27 85	+35 21 957 70 00	Türkiye	+90 212 275 30 88	+90 212 275 90 58
Suisse Schweiz Svizzera	+41 (0)32 631 04 74	+41 (0)32 631 04 75	中国	+86(0)21 6218 8969	+86(0)21 6218 8970
			Brazil	(11) 3052-2292	

Service information : [www.sfa.biz](http://www.sfa.biz)